



US00D817080S

(12) **United States Design Patent** (10) **Patent No.:** **US D817,080 S**  
**Seidl** (45) **Date of Patent:** **\*\* May 8, 2018**

(54) **MILK FROTHER**

(71) Applicant: **LUIGI LAVAZZA S.P.A.**, Turin (IT)

(72) Inventor: **Florian Seidl**, Turin (IT)

(73) Assignee: **Luigi Lavazza S.p.A.**, Turin (IT)

(\*\*) Term: **15 Years**

(21) Appl. No.: **35/502,649**

(22) Filed: **Sep. 19, 2016**

(80) **Hague Agreement Data**

Int. Filing Date: **Sep. 19, 2016**

Int. Reg. No.: **DM/092640**

Int. Reg. Date: **Sep. 19, 2016**

Int. Reg. Pub. Date: **Mar. 24, 2017**

(51) **LOC (11) Cl.** ..... **07-02**

(52) **U.S. Cl.**

USPC ..... **D7/377**

CPC ..... **A47J 43/25** (2013.01)

(58) **Field of Classification Search**

USPC ..... D7/317, 318, 372, 376-386, 412, 413,  
D7/602, 629, 665, 666, 669, 679, 693,  
D7/694

CPC .... A21C 1/02; A21C 1/04; A23N 1/00; A23N  
1/02; A47J 43/04; A47J 43/25; A47J  
43/27; A47J 43/042; A47J 43/044; A47J  
43/046; A47J 43/075; A47J 43/0716;  
A47J 43/0722; A47J 43/0727; B01F 3/00;  
B01F 3/0807; B01F 3/0853; B01F  
13/0059; B01F 13/0064; B02C 1/08;  
B02C 2/04; B02C 4/42; B02C 4/142;  
B02C 4/143; B02C 4/423; B02C 13/1835;  
B28C 5/10; B28C 5/12; B28C 5/14;  
B28C 5/16

See application file for complete search history.

(56) **References Cited**

U.S. PATENT DOCUMENTS

D559,034	S	*	1/2008	Bodum	.....	D7/376
D564,280	S	*	3/2008	Ting	.....	D7/309
D602,304	S	*	10/2009	Elissen	.....	D7/317
D607,268	S	*	1/2010	Bodum	.....	D7/378
D607,684	S	*	1/2010	Elissen	.....	D7/317
D607,685	S	*	1/2010	Elissen	.....	D7/317
D607,686	S	*	1/2010	Elissen	.....	D7/317
D607,690	S	*	1/2010	Bodum	.....	D7/376
D630,467	S	*	1/2011	Harrod	.....	D7/372
D645,300	S	*	9/2011	Collinson	.....	D7/376
D646,520	S	*	10/2011	Collinson	.....	D7/376
D646,521	S	*	10/2011	Collinson	.....	D7/376
D646,522	S	*	10/2011	Collinson	.....	D7/376
D655,568	S	*	3/2012	Chapman	.....	D7/376
D695,562	S	*	12/2013	Warburton	.....	D7/376
D695,563	S	*	12/2013	Warburton	.....	D7/376
D703,479	S	*	4/2014	Norland	.....	D7/376
8,973,485	B2	*	3/2015	Krauchi	.....	A47J 31/4403 99/279
D792,737	S	*	7/2017	Stergiotis	.....	D7/376

\* cited by examiner

*Primary Examiner* — Richard E Chilcot

(74) *Attorney, Agent, or Firm* — Nixon & Vanderhye P.C.

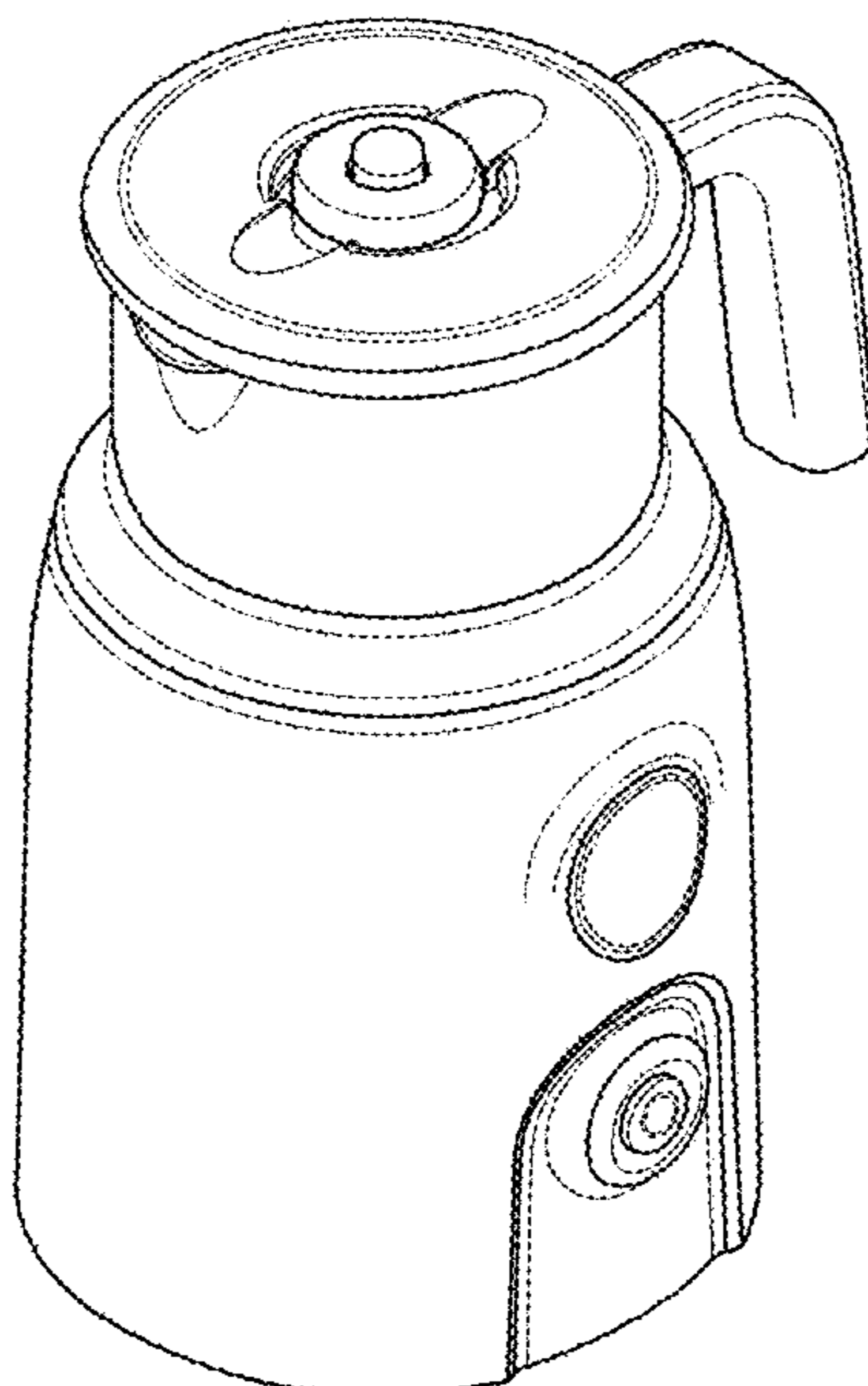
(57) **CLAIM**

The ornamental design for a milk frother, as shown and described.

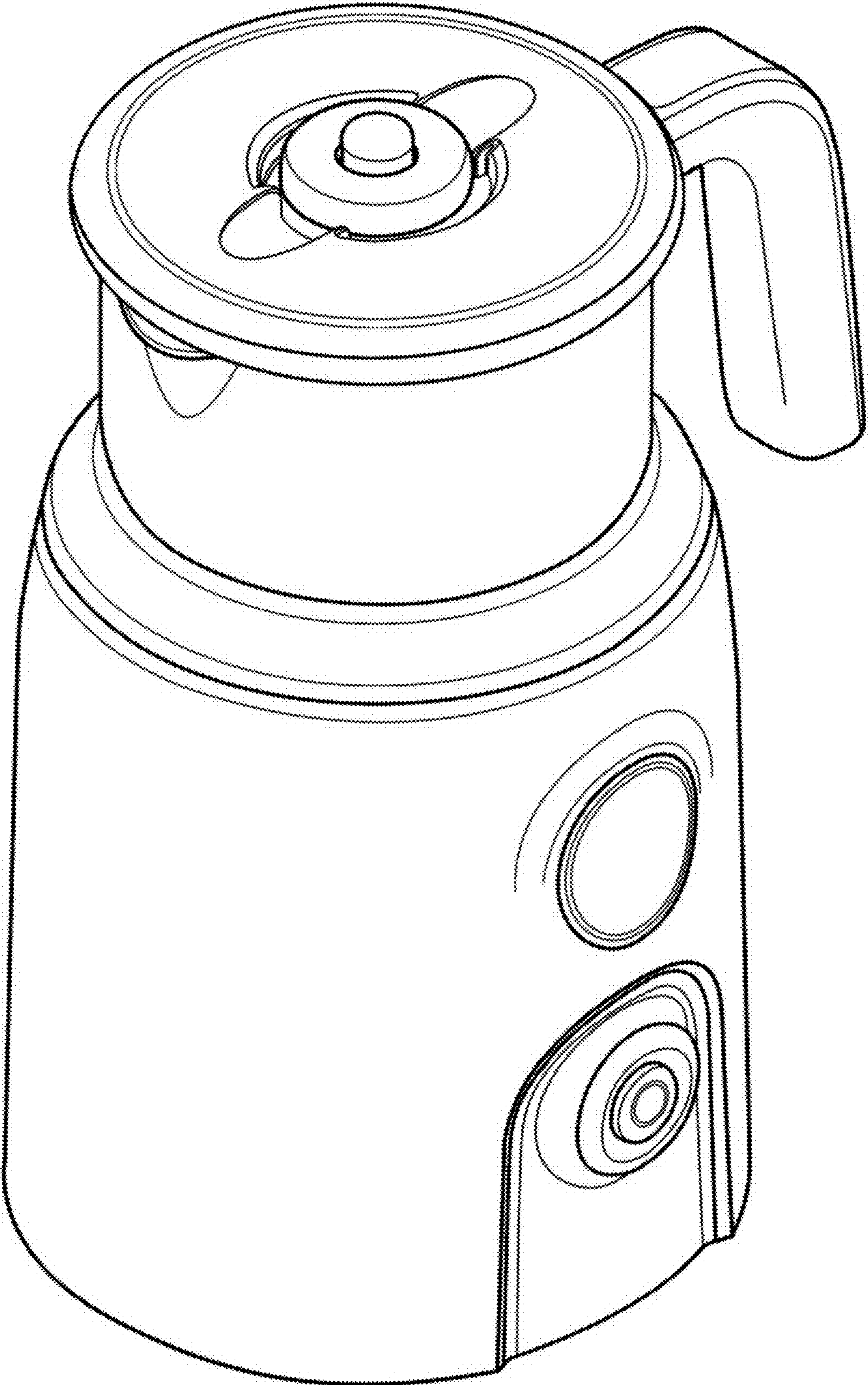
**DESCRIPTION**

- 1. Milk frother
- 1.1 : Perspective
- 1.2 : Front
- 1.3 : Back
- 1.4 : Right
- 1.5 : Left
- 1.6 : Top

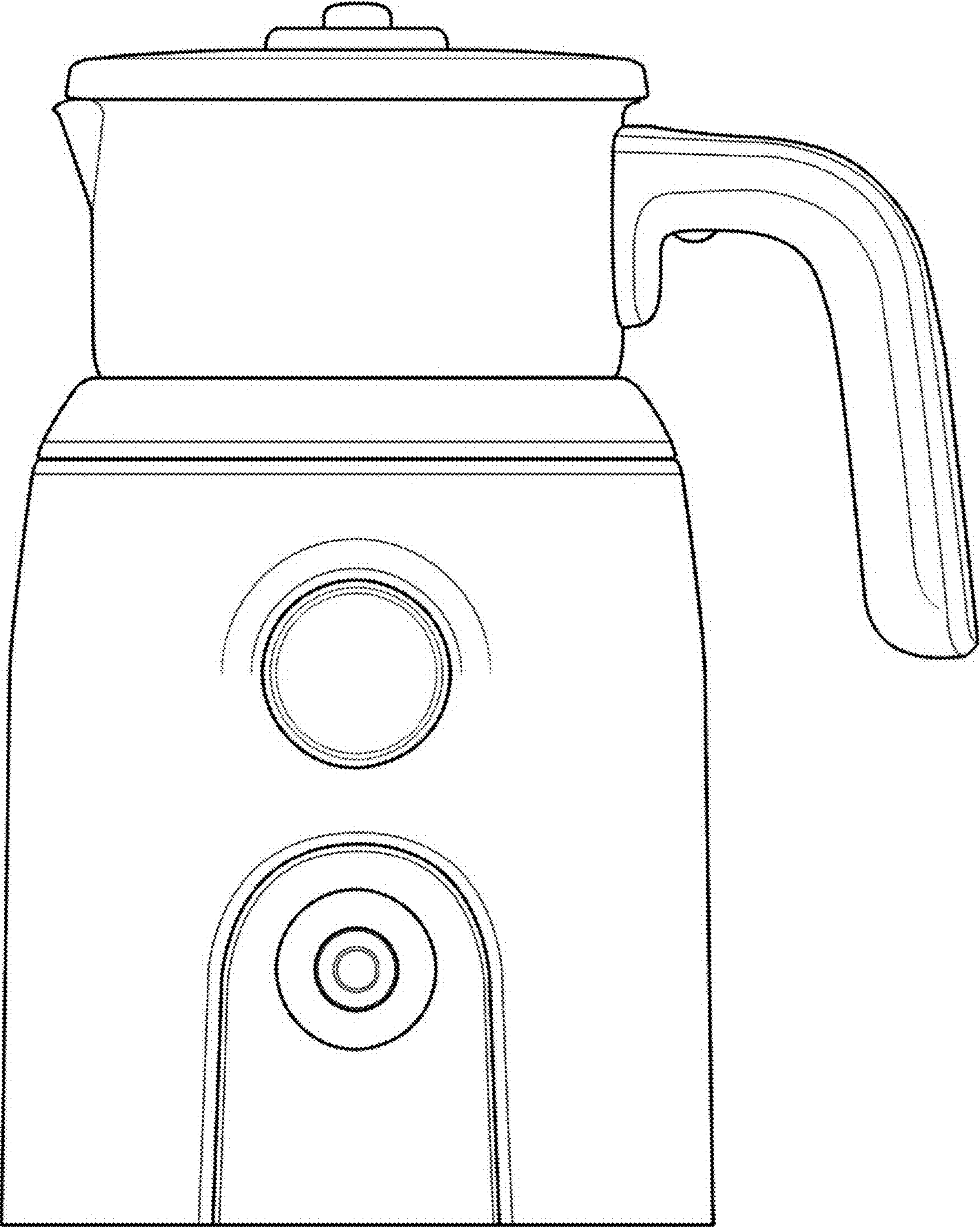
**1 Claim, 6 Drawing Sheets**



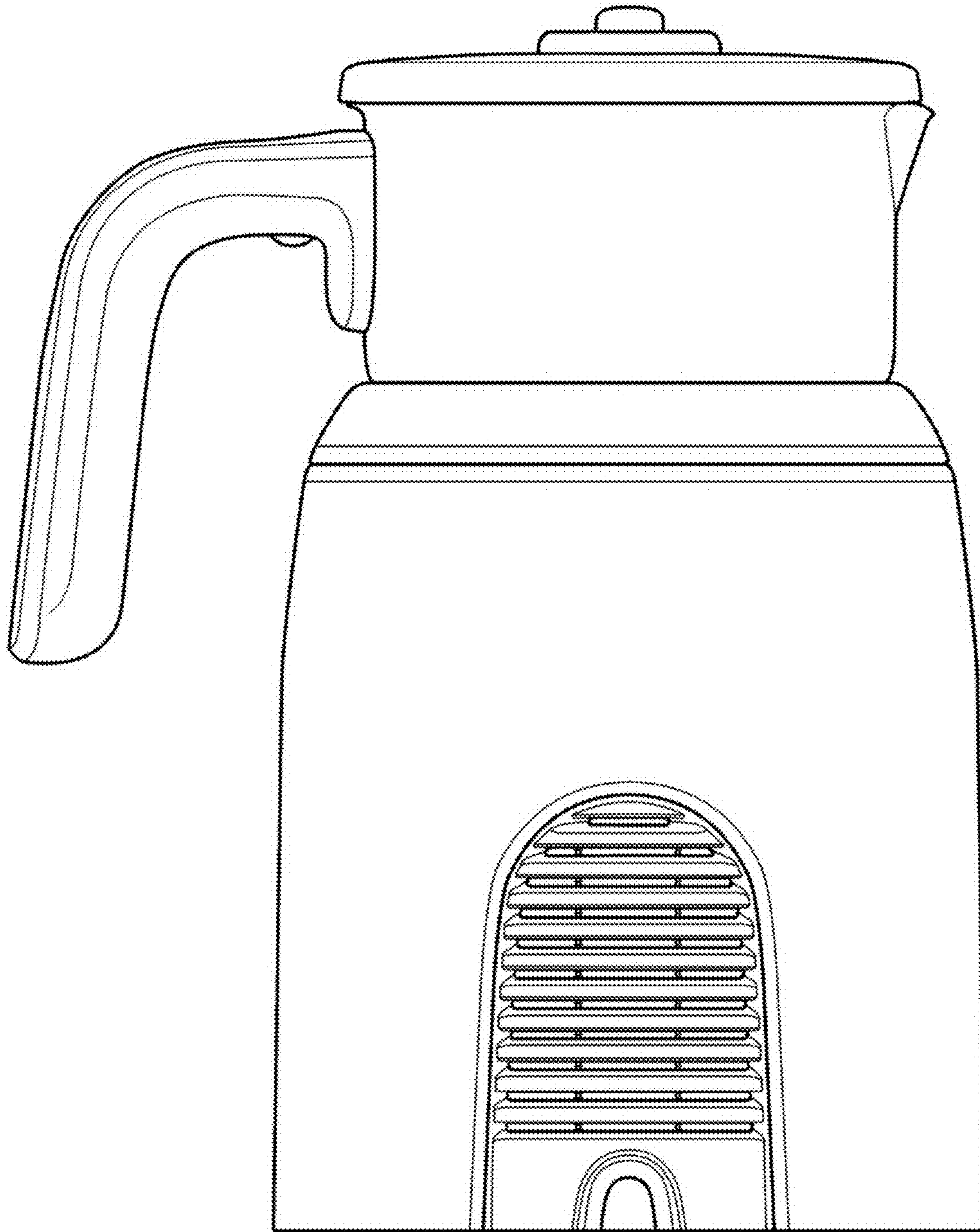
1.1



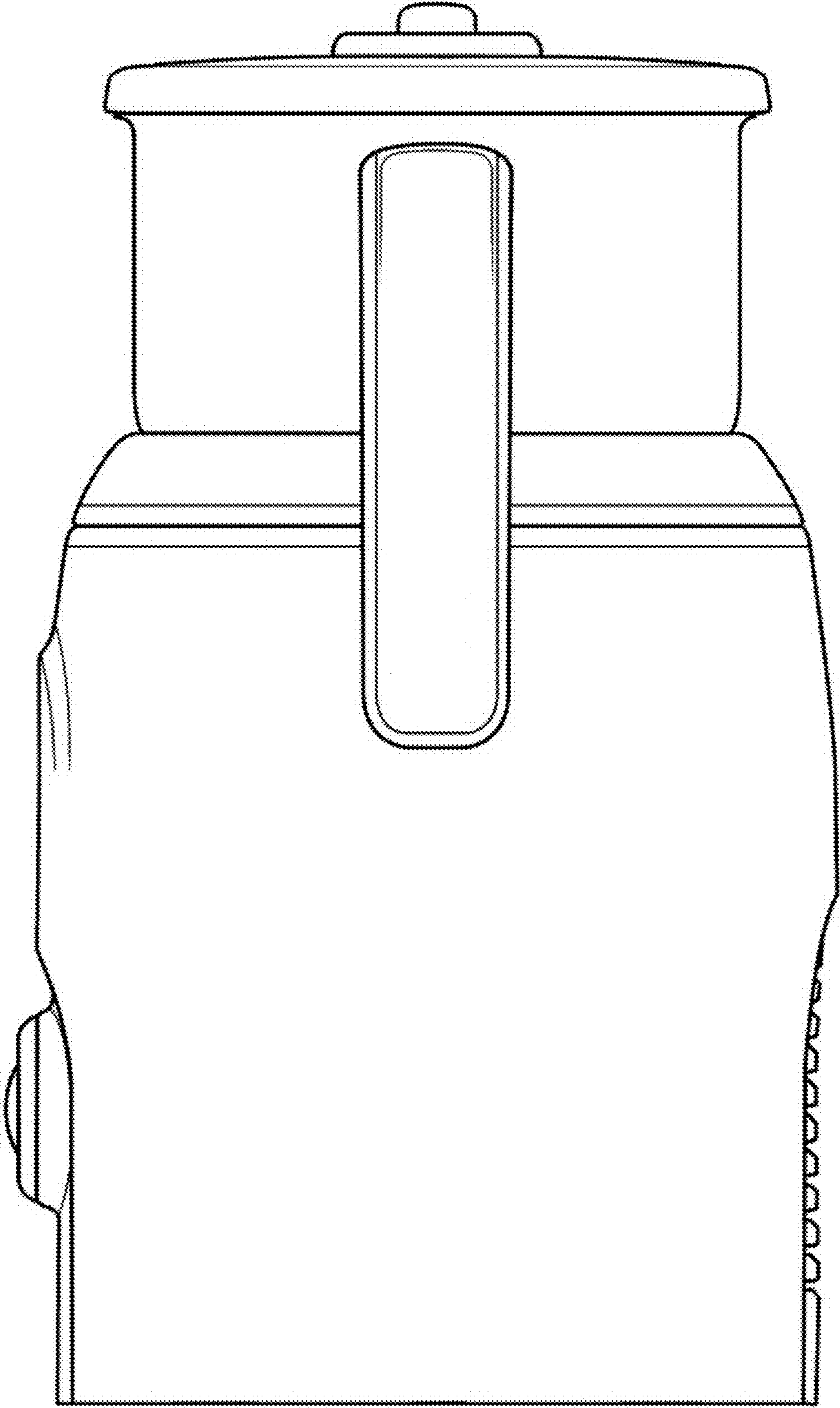
1.2



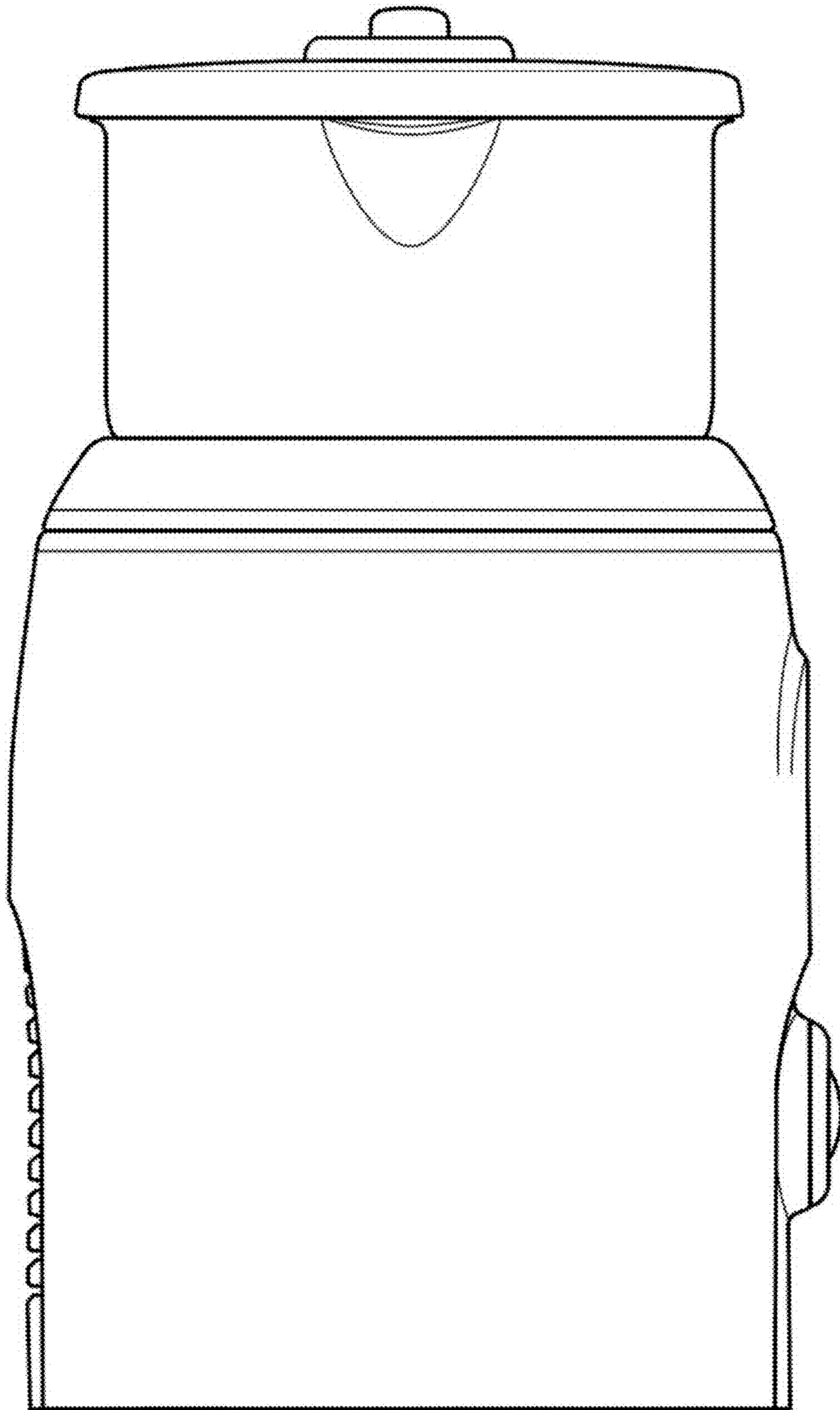
1.3



1.4



1.5



1.6

