



US00D817072S

(12) **United States Design Patent**  
**Mirchandani et al.**

(10) **Patent No.:** **US D817,072 S**  
(45) **Date of Patent:** **\*\* May 8, 2018**

(54) **COOKING APPARATUS**

- (71) Applicant: **Tristar Products, Inc.**, Fairfield, NJ (US)
- (72) Inventors: **Keith Mirchandani**, Fairfield, NJ (US);  
**Paul McGrath**, Flanders, NJ (US);  
**James Mitrik**, Long Pond, PA (US);  
**Alejandro G. Lozano**, Guttenberg, NJ (US)
- (73) Assignee: **Tristar Products, Inc.**, Fairfield, NJ (US)
- (\*\*) Term: **15 Years**
- (21) Appl. No.: **29/596,307**
- (22) Filed: **Mar. 7, 2017**

**Related U.S. Application Data**

- (63) Continuation-in-part of application No. 29/596,192, filed on Mar. 6, 2017, and a continuation-in-part of (Continued)
- (51) **LOC (11) Cl.** ..... **07-02**
- (52) **U.S. Cl.**  
USPC ..... **D7/354**
- (58) **Field of Classification Search**  
USPC ..... D7/323, 354-361, 543, 545, 549, 550.1, D7/553.1-553.8, 554.1-554.4, 555, 584,  
(Continued)

(56) **References Cited**

**U.S. PATENT DOCUMENTS**

- 1,364,863 A \* 1/1921 Buchtel ..... B26B 3/04  
30/303
- 1,780,980 A \* 11/1930 Newman ..... F25C 1/246  
62/298

(Continued)

**FOREIGN PATENT DOCUMENTS**

- GB 835370 A 5/1960
  - GB 2073582 A 10/1981
- (Continued)

*Primary Examiner* — Ricky Pham  
(74) *Attorney, Agent, or Firm* — Adler Pollock & Sheehan P.C.; Daniel J. Holmader, Esq.

(57) **CLAIM**

The ornamental design for a cooking apparatus, as shown and described.

**DESCRIPTION**

FIG. 1 is a front perspective view of a first embodiment of a cooking apparatus in accordance with the subject disclosure.

FIG. 2 is top view of the cooking apparatus of FIG. 1. FIG. 3 is a bottom view of the cooking apparatus of FIG. 1. FIG. 4 is a front view of the cooking apparatus of FIG. 1. FIG. 5 is a rear view of the cooking apparatus of FIG. 1. FIG. 6 is a top perspective view of the cooking apparatus of FIG. 1.

FIG. 7 is a bottom perspective view of the cooking apparatus of FIG. 1.

FIG. 8 is a right side view of the cooking apparatus of FIG. 1.

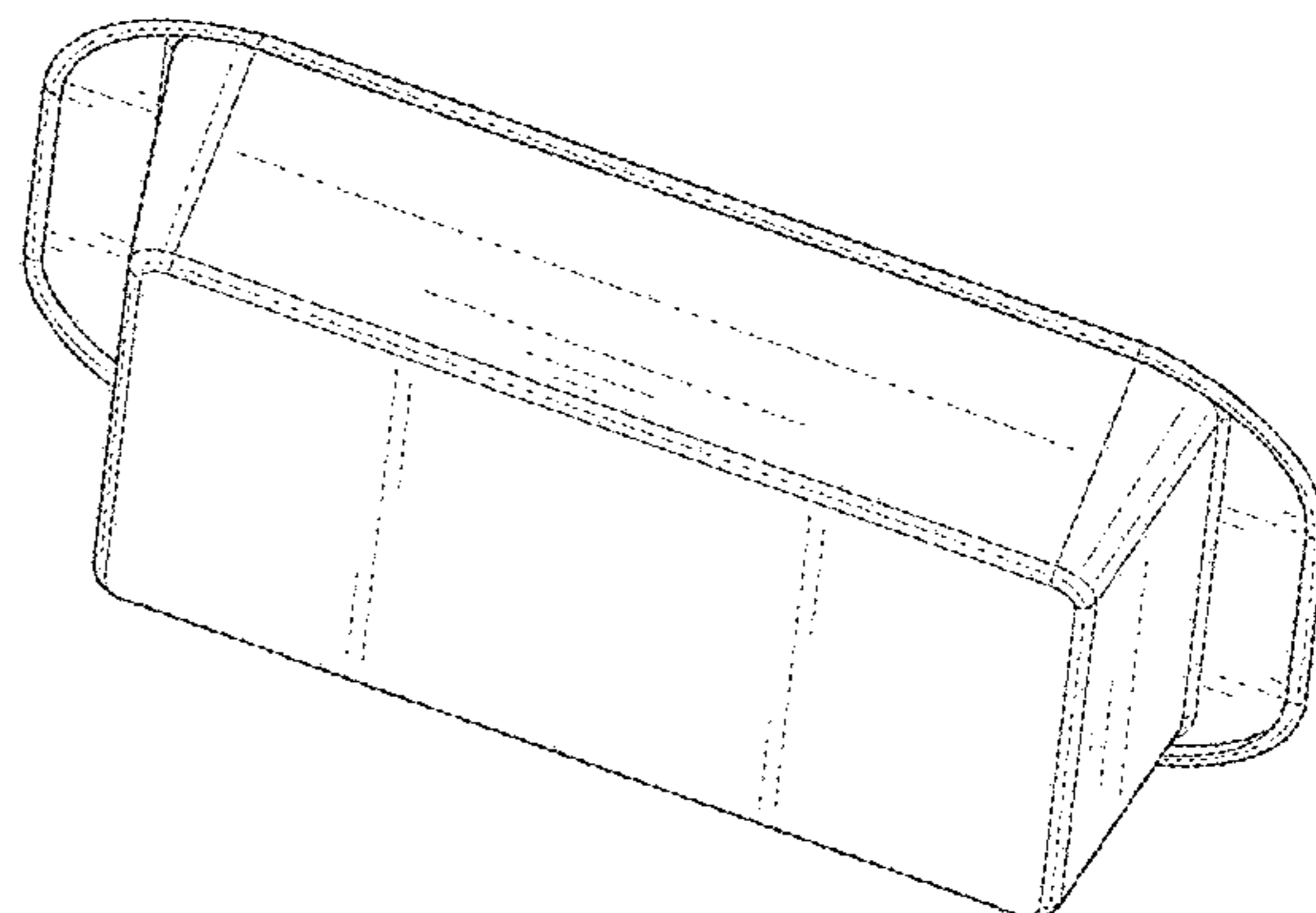
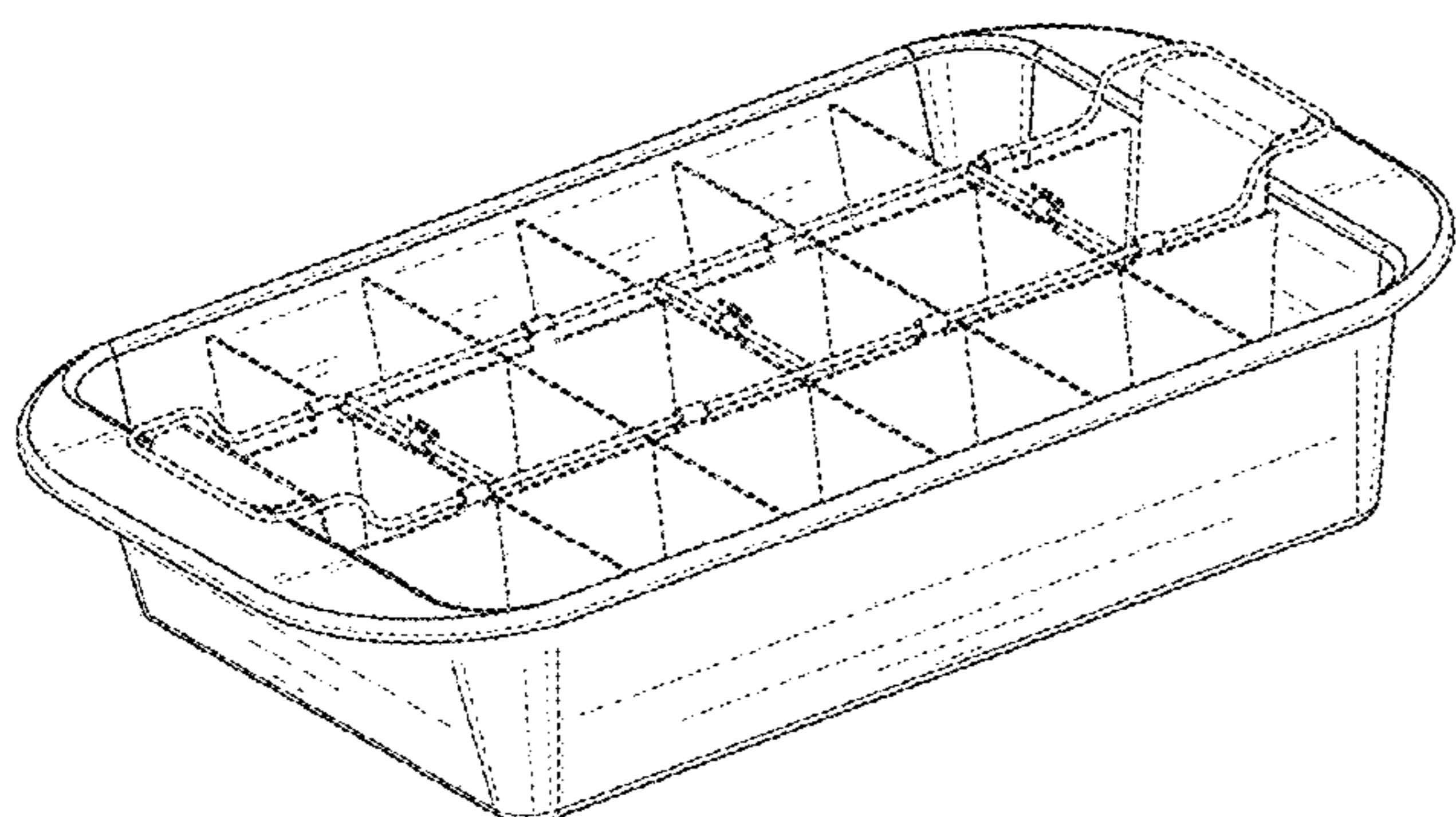
FIG. 9 is a left side view of the cooking apparatus of FIG. 1; and,

FIG. 10 is a front perspective view of a second embodiment of the cooking apparatus of FIG. 1 indicating surface shading for metal.

The broken line showings are included for the purpose of illustrating portions of the invention and form no part of the claimed design.

In alternative embodiments, the cooking apparatus may have different outer lips around the top edges or may include handles. The inner handles may be shaped differently. In various embodiments the inner divider may be arranged in different configurations to have a different number of walls spaced at different intervals to divide food into different proportions from what is currently shown. In some embodiments the inner divider may also be configured to cut food

(Continued)



into shapes other than squares, such as triangles or rectangles. In some embodiments the cooking apparatus may have no inner divider at all. Further, in some embodiments, the outer pan may stand alone, apart from any other components.

**1 Claim, 10 Drawing Sheets**

**Related U.S. Application Data**

application No. 29/596,148, filed on Mar. 6, 2017, and a continuation-in-part of application No. 29/596,214, filed on Mar. 6, 2017, and a continuation-in-part of application No. 29/596,004, filed on Mar. 3, 2017, and a continuation-in-part of application No. 29/596,006, filed on Mar. 3, 2017, and a continuation-in-part of application No. 29/596,008, filed on Mar. 3, 2017, and a continuation-in-part of application No. 29/596,042, filed on Mar. 3, 2017.

(58) **Field of Classification Search**

USPC ..... D7/586, 602, 629, 672-673; D9/425, D9/430-433, 455-456, 730, 737, D9/756-762; D15/90  
 CPC .... A21B 3/00; A21B 3/13; A21B 3/15; A21B 3/134-3/135; A21B 5/00; A21B 5/02; A21C 11/106; A47J 9/005; A47J 36/022; A47J 36/025; A47J 36/027; A47J 36/16; A47J 37/00; A47J 37/04; A47J 43/282; A47J 45/062; B26B 3/04; B26D 3/185; B29C 45/14; B65D 1/22; B65D 1/24; B65D 1/34; B65D 1/36; B65D 5/48038; B65D 77/2056; B65D 81/343; B65D 85/36; F25C 1/246

See application file for complete search history.

(56) **References Cited**

U.S. PATENT DOCUMENTS

2,048,412 A \* 7/1936 Sissman ..... F25C 1/246  
 249/128  
 2,501,588 A \* 3/1950 Somers ..... A47J 43/282  
 206/804

2,502,157 A \* 3/1950 Klejna ..... B26D 3/185  
 30/303  
 2,663,449 A \* 12/1953 Smart ..... A21B 3/13  
 220/543  
 4,055,892 A \* 11/1977 Del Vecchio ..... B26D 3/185  
 30/303  
 4,195,747 A 4/1980 Hare  
 4,773,320 A \* 9/1988 Stock ..... A21B 3/13  
 249/117  
 4,865,858 A 9/1989 Petcavich  
 5,004,146 A \* 4/1991 Thominet ..... B65D 5/48038  
 229/120.31  
 D340,614 S \* 10/1993 Kaeding ..... D7/354  
 D409,054 S \* 5/1999 Wirfel ..... D7/673  
 D445,633 S 7/2001 Bradley  
 6,276,918 B1 \* 8/2001 Slaughter ..... A21C 11/106  
 249/DIG. 1  
 D494,408 S 8/2004 Hinton et al.  
 D586,626 S \* 2/2009 Carrell ..... D7/672  
 D590,215 S \* 4/2009 Carrell ..... D7/672  
 7,770,751 B2 \* 8/2010 Henry ..... A21B 3/135  
 220/507  
 D630,884 S \* 1/2011 Stein ..... D7/354  
 D634,590 S \* 3/2011 Ferguson ..... D7/673  
 D664,814 S \* 8/2012 Lepore ..... D7/672  
 D742,943 S \* 11/2015 Parker ..... D15/90  
 D770,244 S \* 11/2016 Repac ..... D7/672  
 9,723,949 B2 \* 8/2017 Moore ..... A47J 36/16  
 D801,104 S \* 10/2017 Mirchandani ..... D7/354  
 2004/0250667 A1 \* 12/2004 Atwater ..... A21C 11/106  
 83/13  
 2006/0272162 A1 \* 12/2006 Atwater ..... A21C 11/106  
 30/303  
 2008/0229938 A1 \* 9/2008 Hutto ..... A47J 9/005  
 99/537  
 2010/0043239 A1 2/2010 Pittman  
 2011/0108556 A1 5/2011 Levie  
 2015/0201802 A1 \* 7/2015 Moore ..... A47J 36/16  
 426/389

FOREIGN PATENT DOCUMENTS

GB 2075824 A 11/1981  
 WO WO-8902210 A1 3/1989

\* cited by examiner

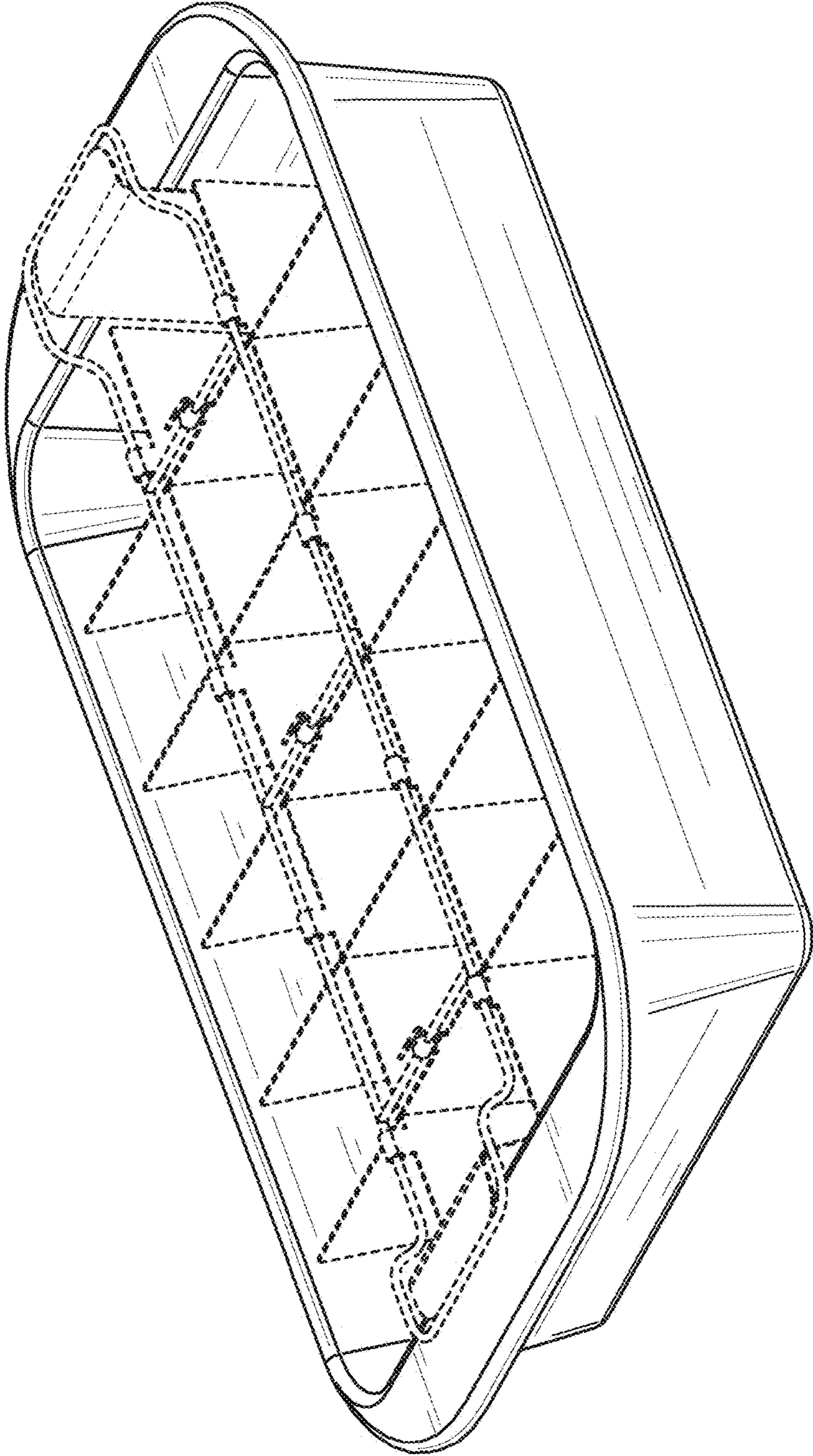


FIG. 1

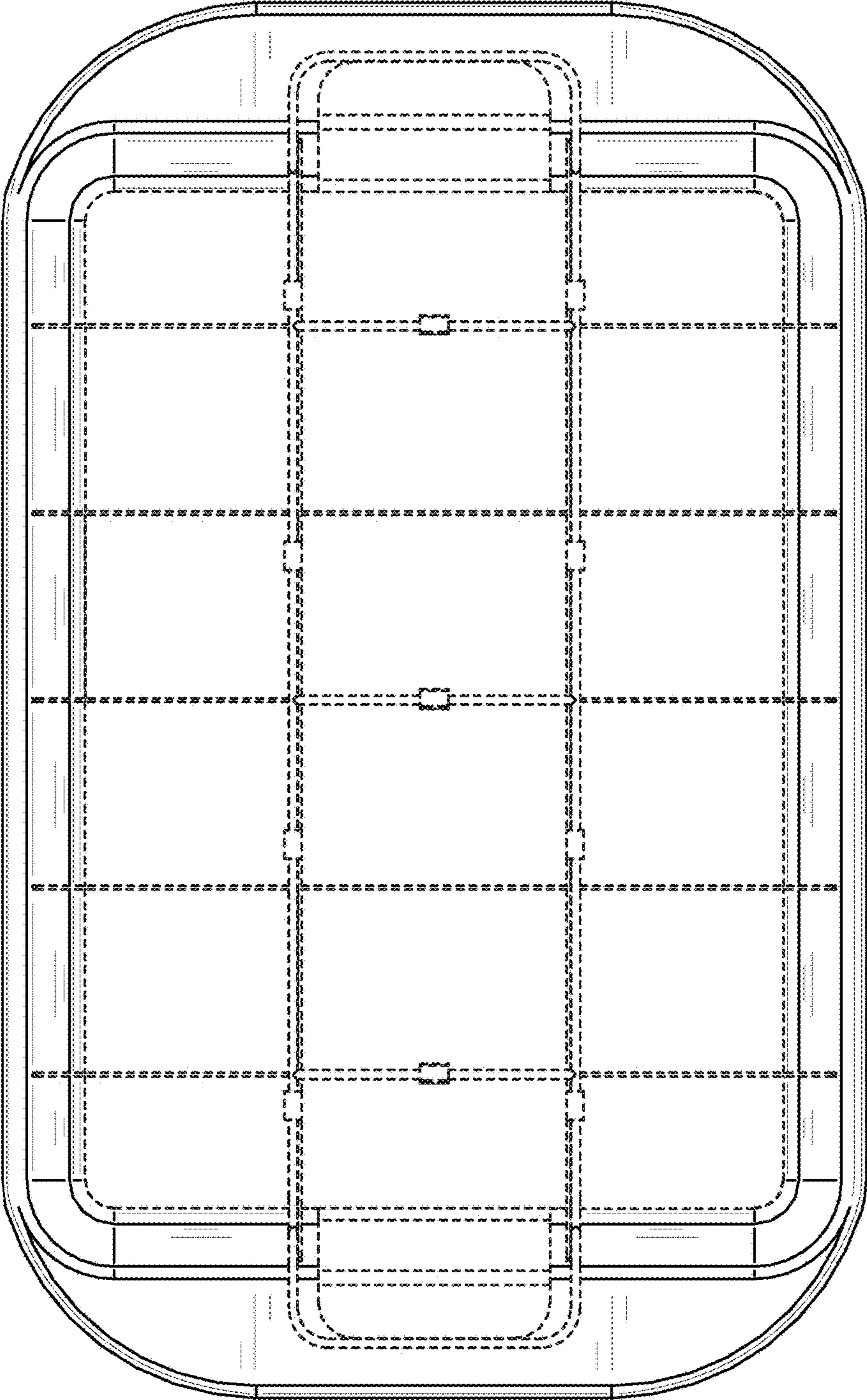


FIG. 2

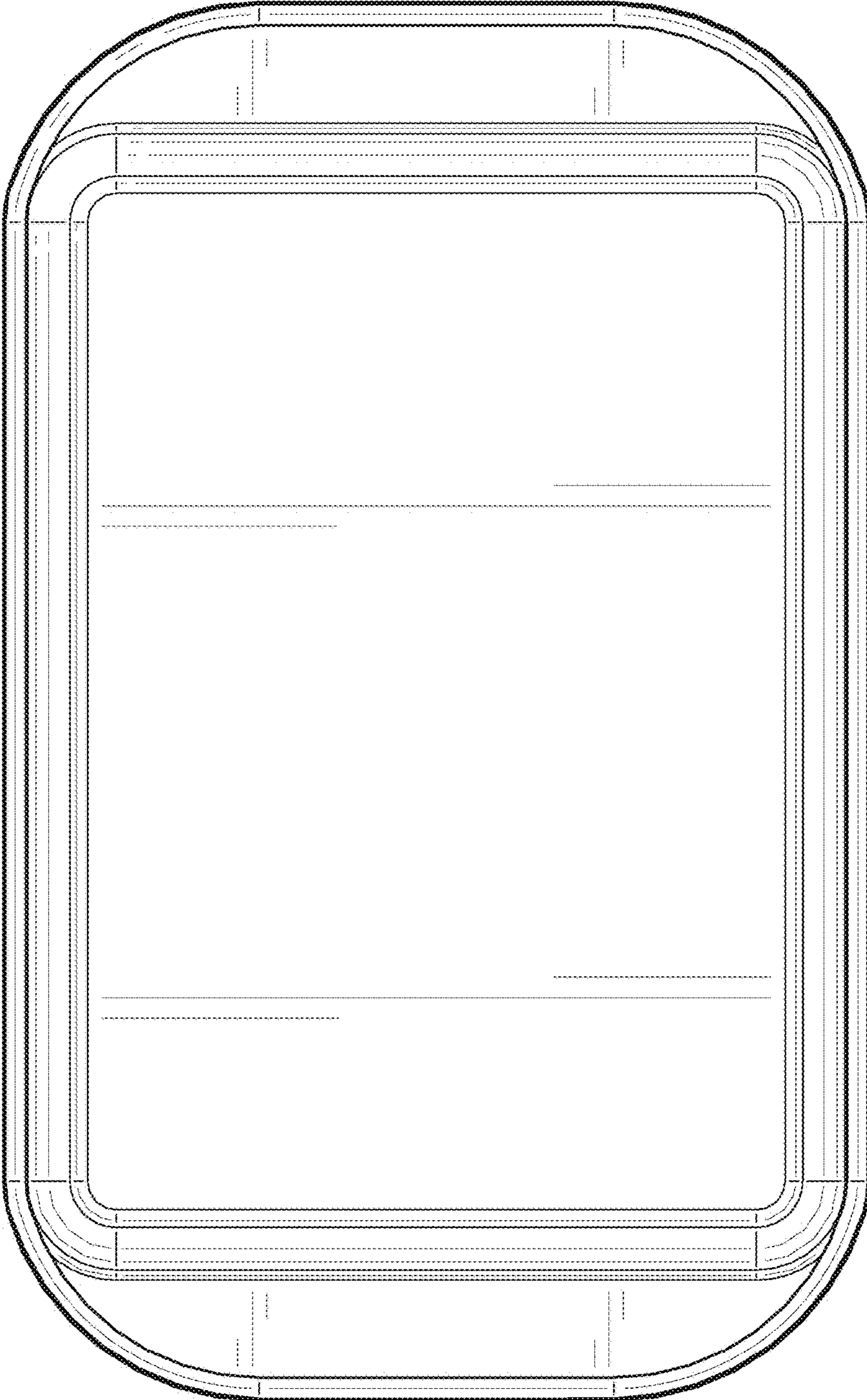


FIG. 3

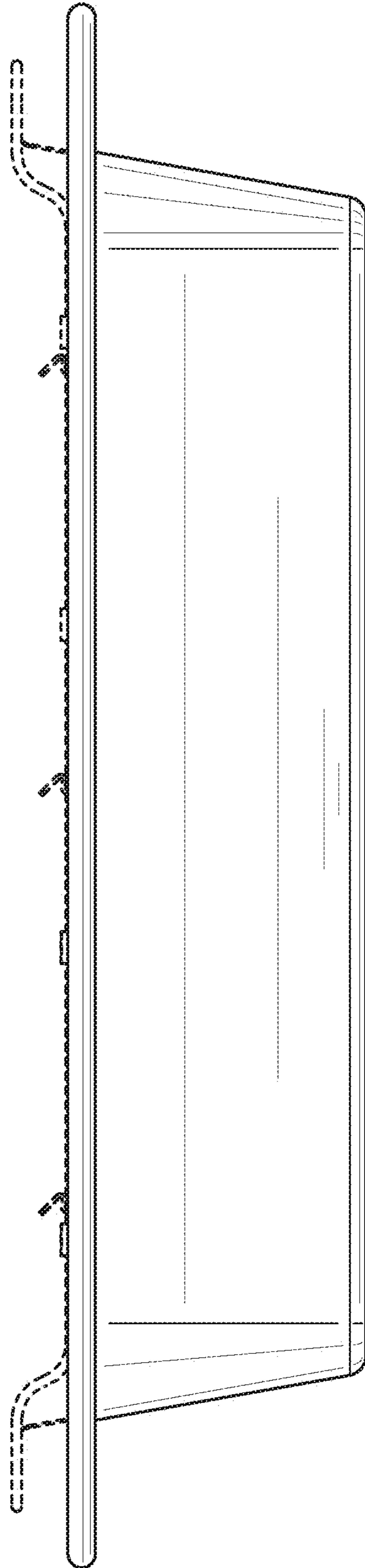


FIG. 4

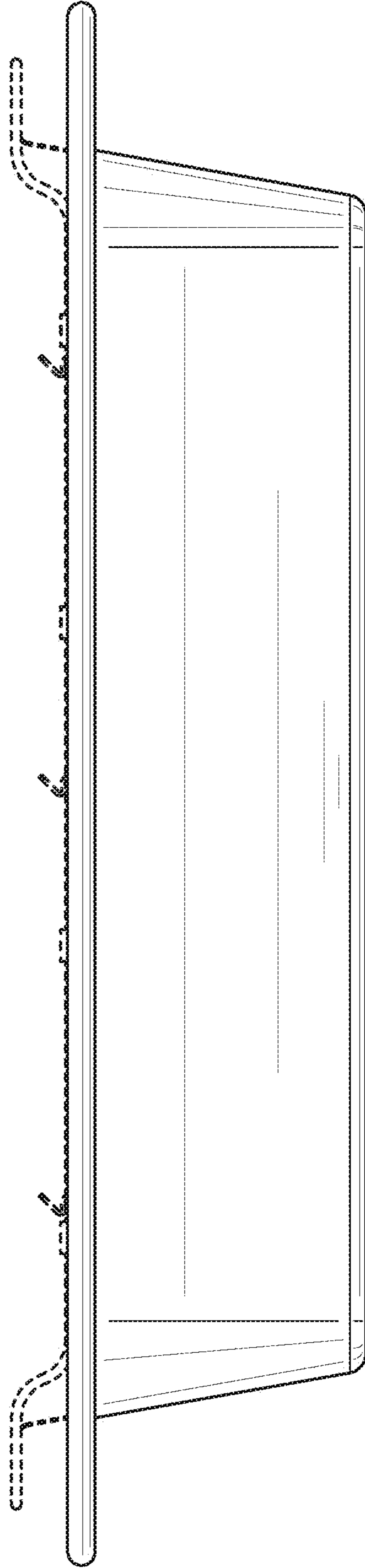


FIG. 5

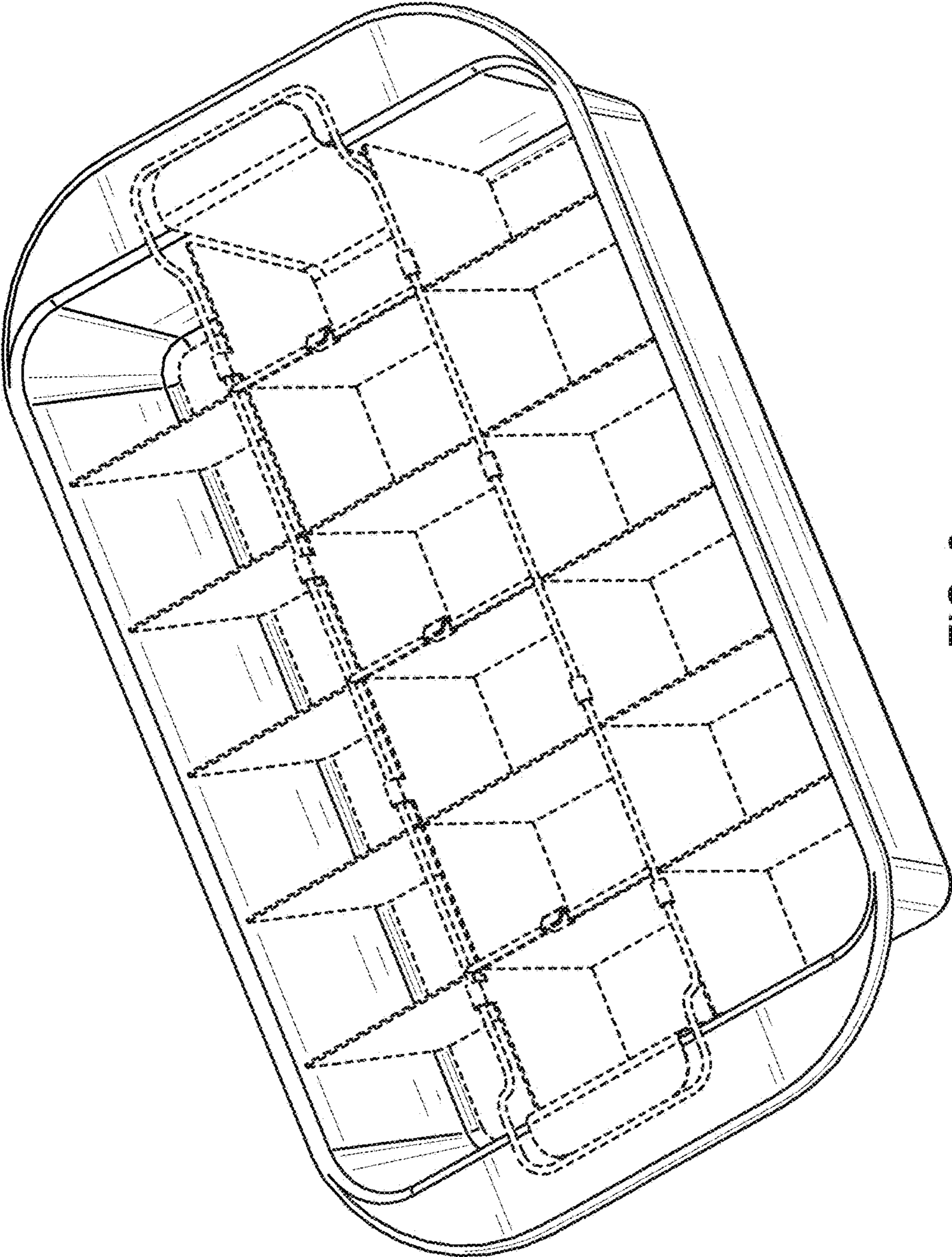


FIG. 6



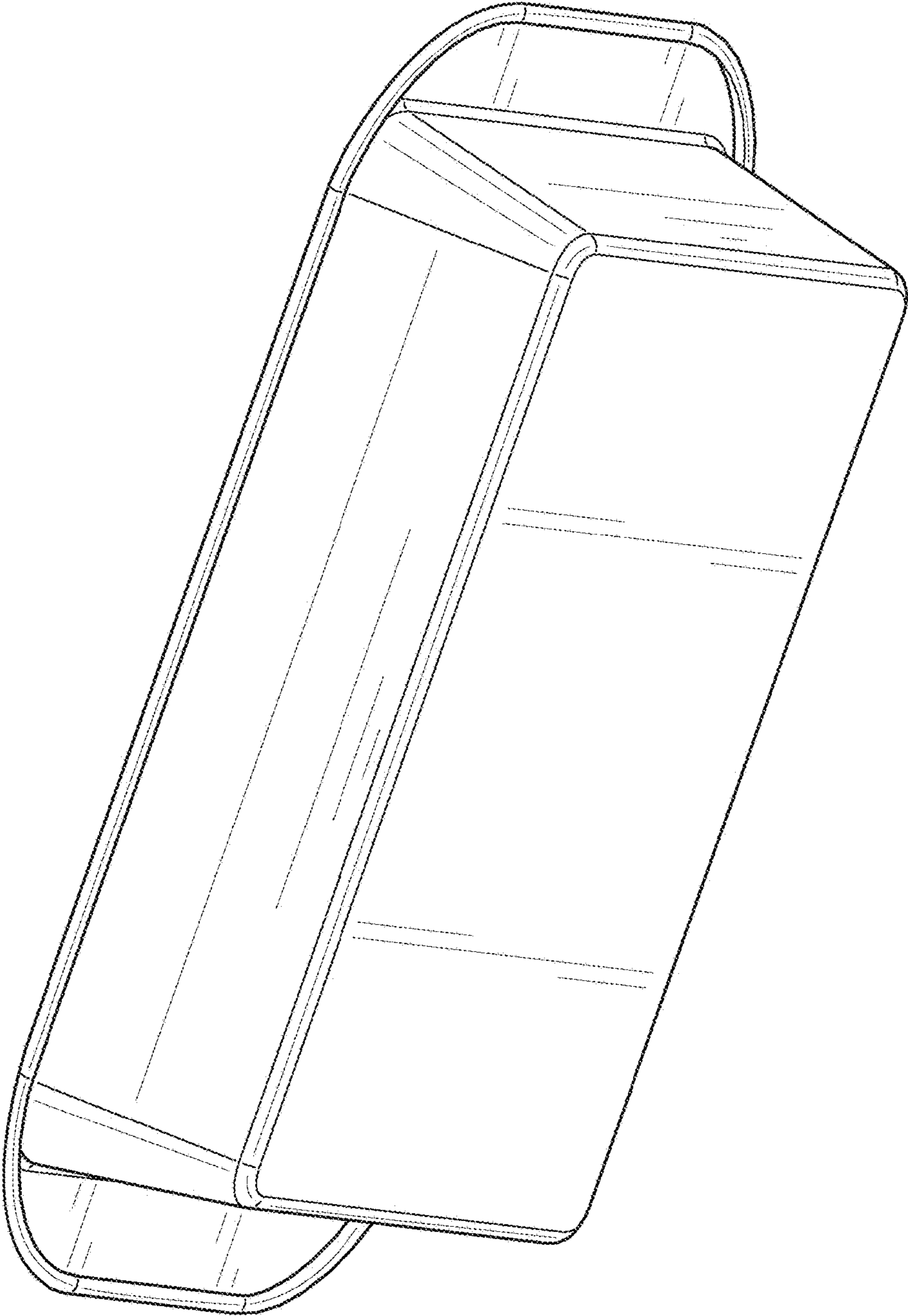


FIG. 7

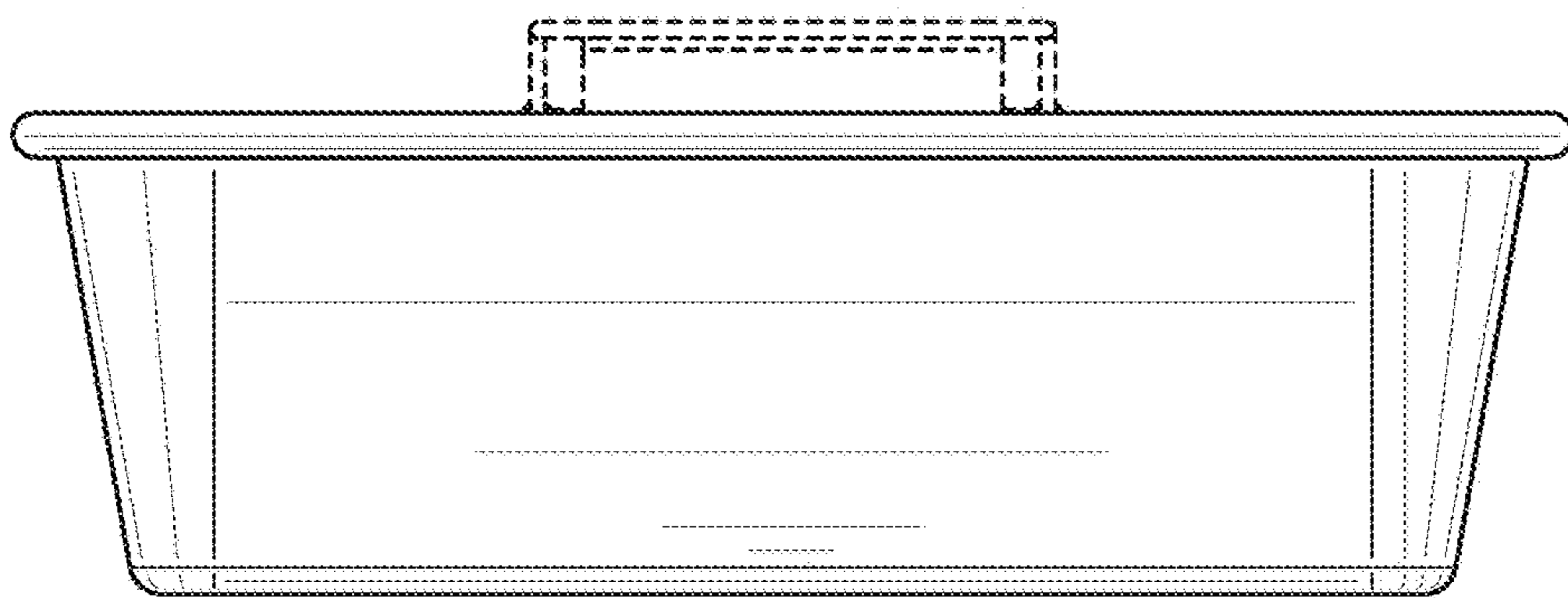


FIG. 8

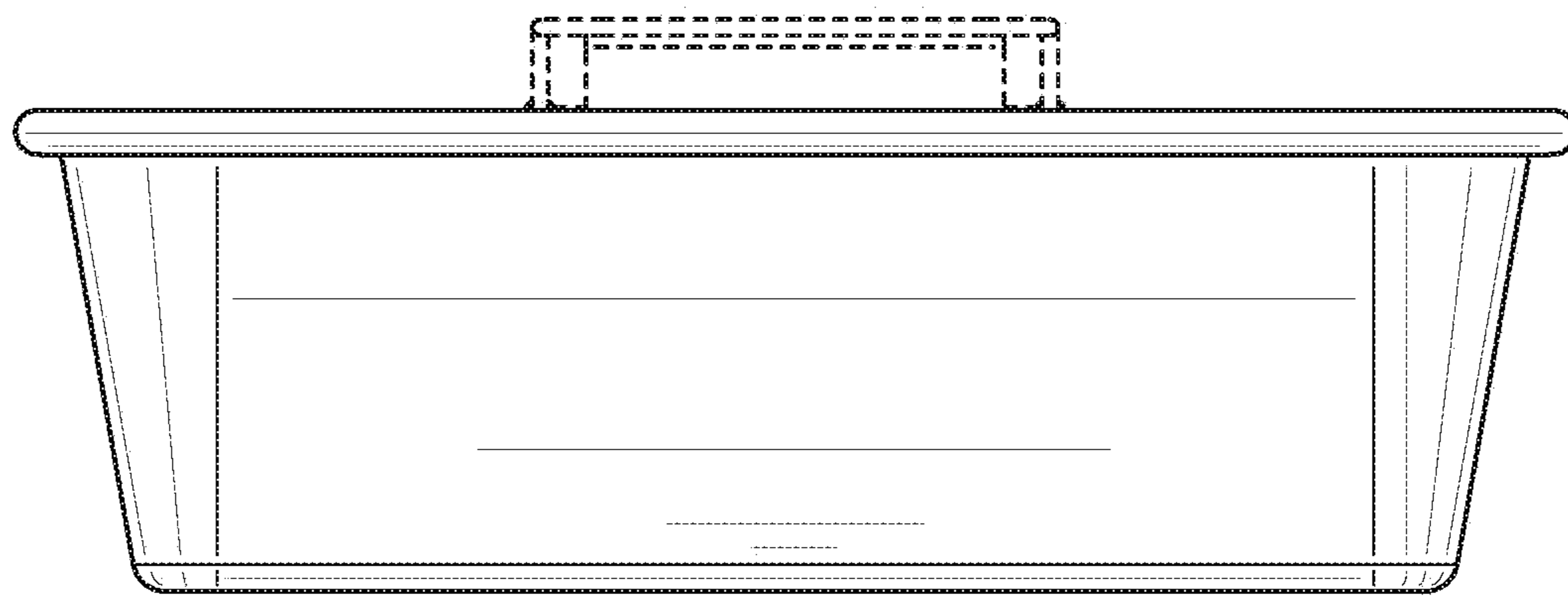


FIG. 9

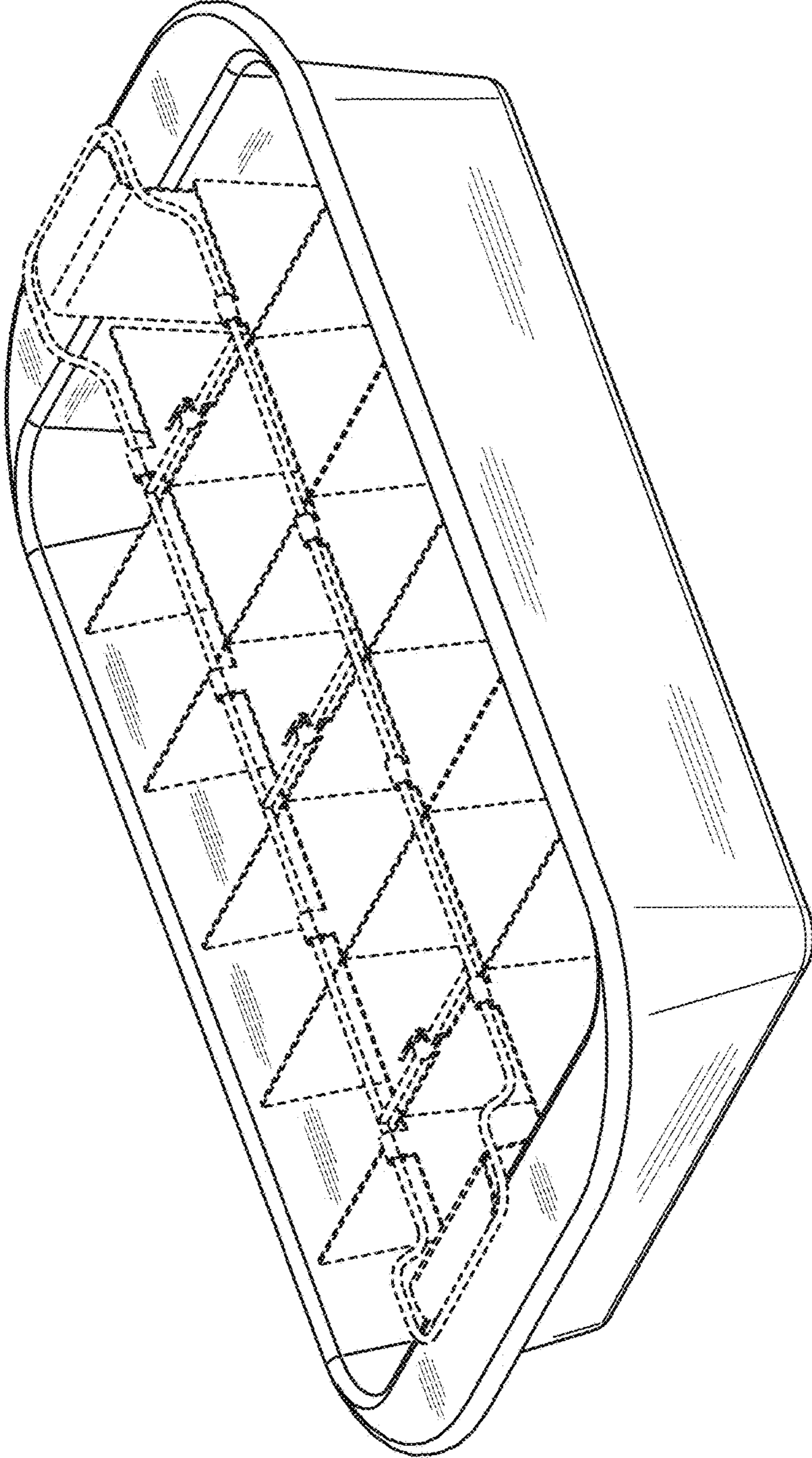


FIG. 10