



US00D817071S

(12) **United States Design Patent**
Mirchandani et al.

(10) **Patent No.:** **US D817,071 S**
(45) **Date of Patent:** **** May 8, 2018**

(54) **COOKING APPARATUS**

(71) Applicant: **Tristar Products, Inc.**, Fairfield, NJ (US)
(72) Inventors: **Keith Mirchandani**, Fairfield, NJ (US);
Paul McGrath, Flanders, NJ (US);
James Mitrik, Long Pond, PA (US);
Alejandro G. Lozano, Guttenberg, NJ (US)

(73) Assignee: **Tristar Products, Inc.**, Fairfield, NJ (US)

(**) Term: **15 Years**

(21) Appl. No.: **29/596,038**

(22) Filed: **Mar. 3, 2017**

(51) **LOC (11) Cl.** **07-02**

(52) **U.S. Cl.**
USPC **D7/354; D7/409**

(58) **Field of Classification Search**
USPC D7/323, 354-361, 543, 545, 549, 550.1,
D7/553.1-553.8, 554.1-554.4, 555, 584,
D7/586, 667; D9/430-433, 454-456,
D9/737, 756-762; D26/22
CPC A01K 1/0114; A21B 1/02; A21B 3/00;
A21B 3/13; A21B 3/15; A21B 3/134;
A21B 3/135; A21B 3/137; A21B 5/00;
A21B 5/02; A47G 23/03; A47J 27/04;
A47J 36/022; A47J 36/025; A47J 36/027;
A47J 36/04; A47J 37/00; A47J 37/04;
A47J 37/0786; A47J 43/20; B22C 9/06;
B28B 7/168; B65D 1/22; B65D 1/24;
B65D 1/34; B65D 1/36; B65D 81/343;
B65D 85/36

See application file for complete search history.

(56) **References Cited**

U.S. PATENT DOCUMENTS

559,788 A * 5/1896 Perrottet A21B 3/137
100/910
572,509 A * 12/1896 Wilson B28B 7/168
249/144

854,592 A * 5/1907 Nelson A21B 3/137
249/170
1,154,972 A * 9/1915 Carlson B22C 9/06
24/16 R
1,518,973 A * 12/1924 Edwards A21B 3/13
249/170
1,567,234 A * 12/1925 Brucker A21B 3/13
206/804
2,259,854 A * 10/1941 Langel A47J 43/20
249/135

(Continued)

Primary Examiner — Ricky Pham

(74) *Attorney, Agent, or Firm* — Adler Pollock & Sheehan P.C.; Daniel J. Holmader, Esq.

(57) **CLAIM**

The ornamental design for a cooking apparatus, as shown and described.

DESCRIPTION

FIG. 1 is a front perspective view of a first embodiment of a cooking apparatus in accordance with the subject disclosure.

FIG. 2 is a top view of the cooking apparatus of FIG. 1.

FIG. 3 is bottom view of the cooking apparatus of FIG. 1.

FIG. 4 is a front view of the cooking apparatus of FIG. 1.

FIG. 5 is a rear view of the cooking apparatus of FIG. 1.

FIG. 6 is a top perspective view of the cooking apparatus of FIG. 1.

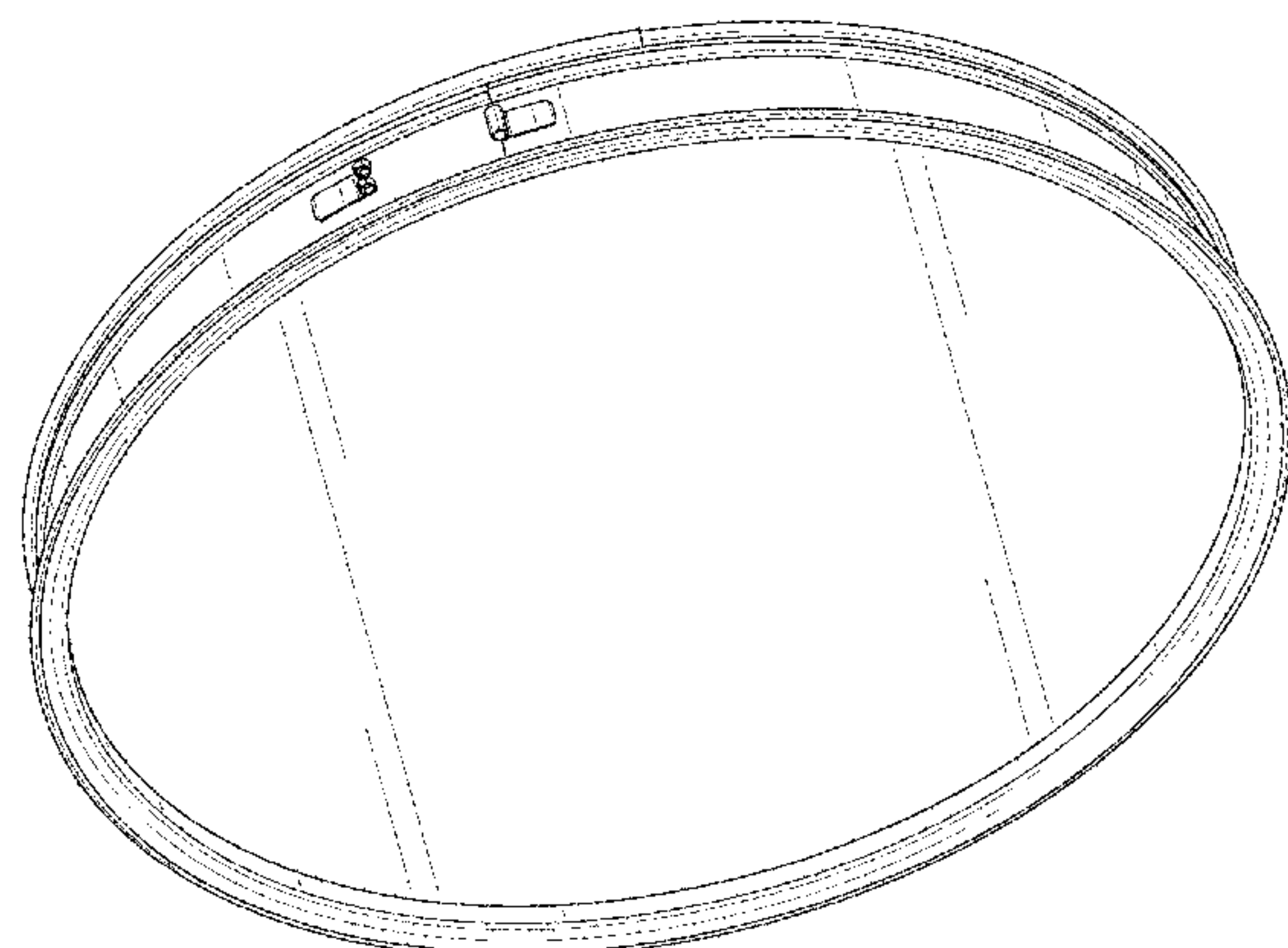
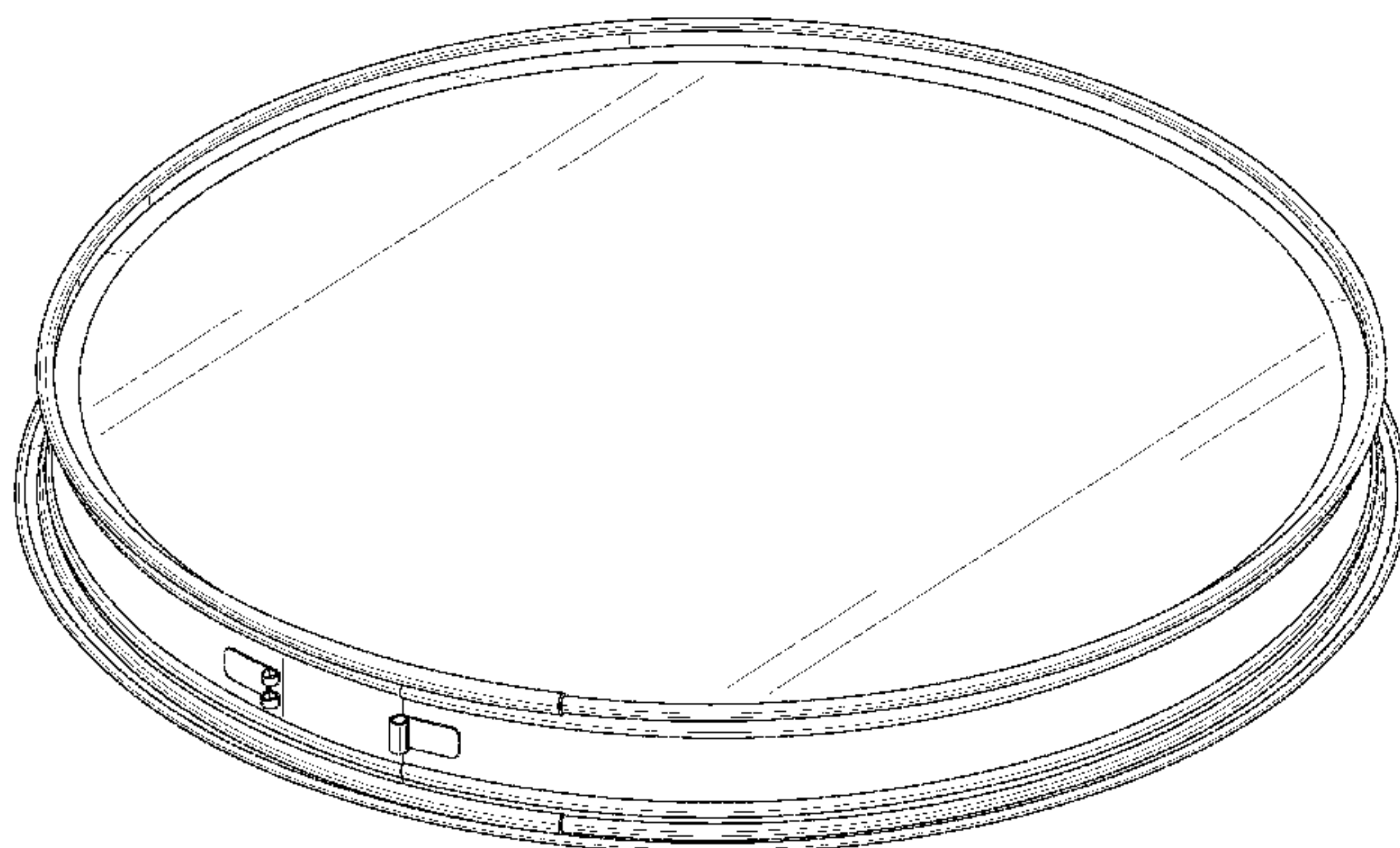
FIG. 7 is a bottom perspective view of the cooking apparatus of FIG. 1.

FIG. 8 is a left side view of the cooking apparatus of FIG. 1.

FIG. 9 is a right side view of the cooking apparatus of FIG. 1; and,

FIG. 10 is a top perspective view of a second embodiment of the cooking apparatus of FIG. 1 indicating surface shading for metal.

1 Claim, 10 Drawing Sheets



(56)

References Cited

U.S. PATENT DOCUMENTS

3,268,198	A *	8/1966	Swett	A47G 23/03 248/346.11
4,197,832	A *	4/1980	Thomas	A21B 3/13 126/390.1
4,226,255	A *	10/1980	Tarrer	A47J 37/0786 126/25 R
4,644,858	A *	2/1987	Liotto	A21B 3/137 219/725
4,793,324	A *	12/1988	Cafferro	A21B 1/02 126/369
5,582,389	A *	12/1996	Greene	A47J 36/022 229/235
5,678,475	A *	10/1997	Villar Otero	A21B 3/137 249/DIG. 1
5,768,980	A *	6/1998	Degen	A21B 3/137 99/353
D420,864	S *	2/2000	Kenney	D7/667
7,114,459	B2 *	10/2006	Schmidt	A01K 1/0114 119/161
D622,539	S *	8/2010	Simon	D7/354
9,107,421	B2 *	8/2015	Campbell	A21B 3/135
9,220,277	B1 *	12/2015	Allen	A47J 36/04
D777,034	S *	1/2017	Sill	D9/454
9,532,676	B1 *	1/2017	Winfield	A47J 27/04
D790,088	S *	6/2017	Yeffet	D26/22
2008/0111050	A1 *	5/2008	Hamblin	A21B 3/137 249/61
2011/0088566	A1 *	4/2011	Doxie	A21B 3/137 99/426
2012/0024865	A1 *	2/2012	Riedl	A21B 3/137 220/573.1

* cited by examiner

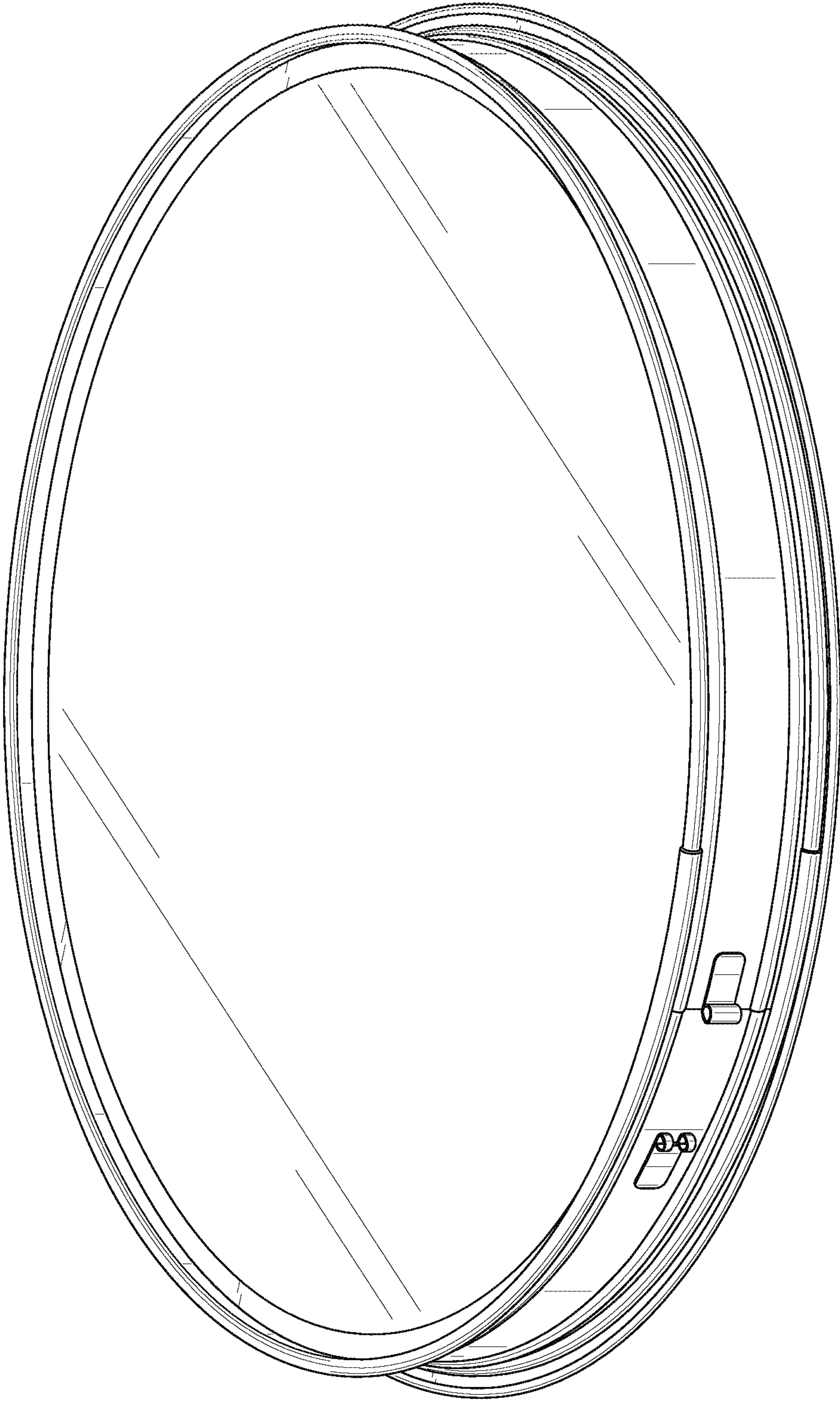


FIG. 1

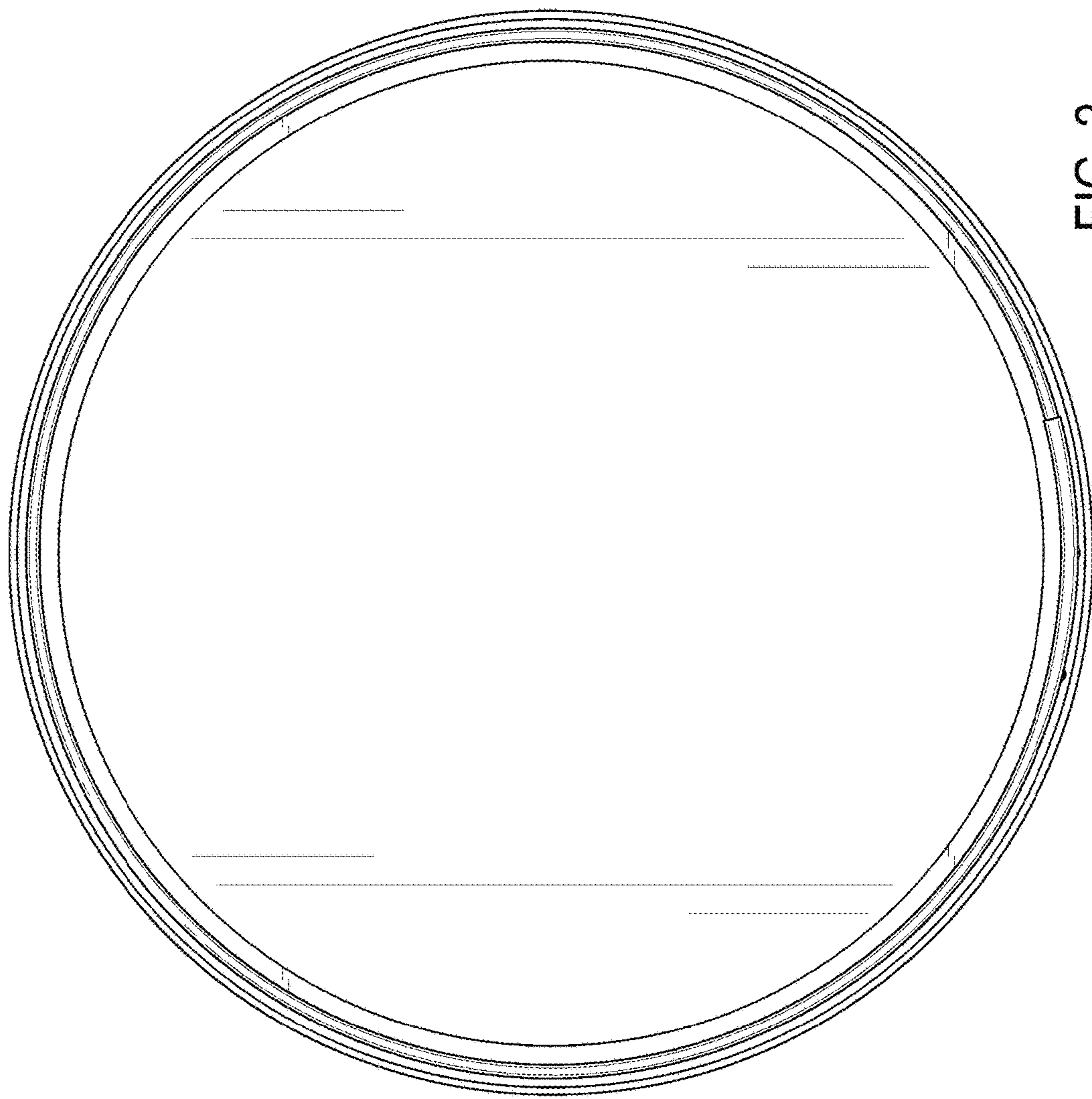


FIG. 2

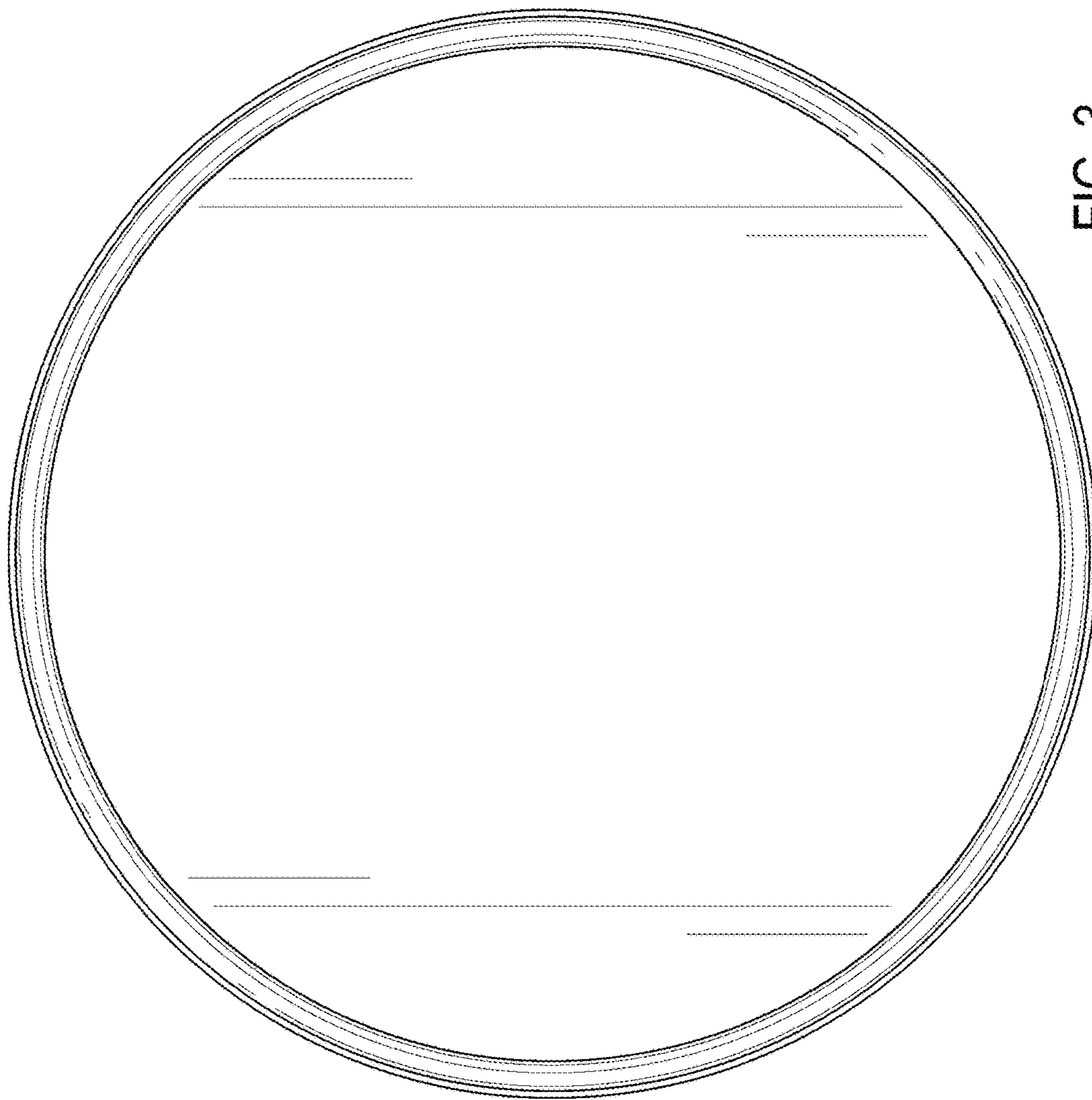


FIG. 3

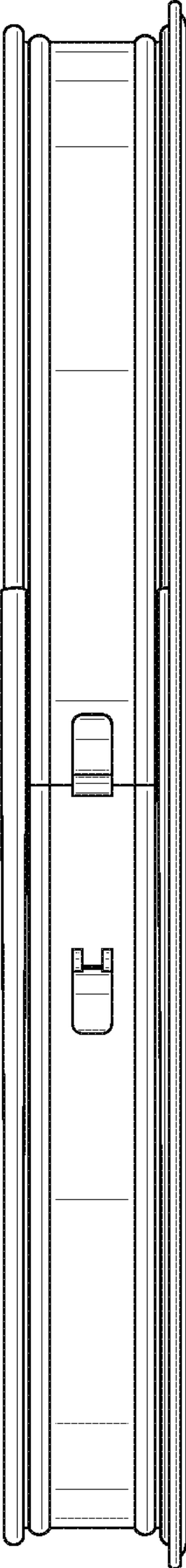


FIG. 4

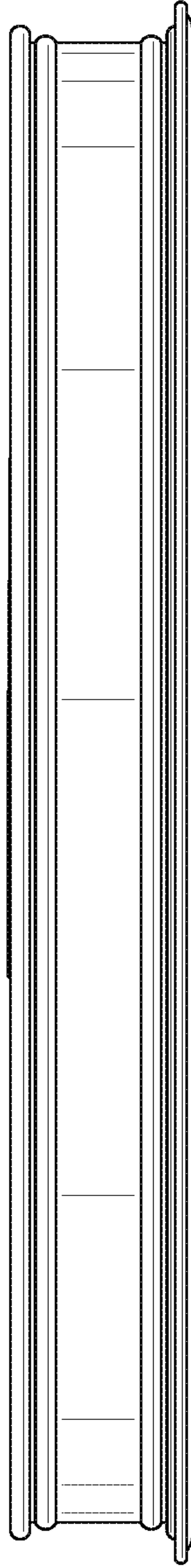


FIG. 5

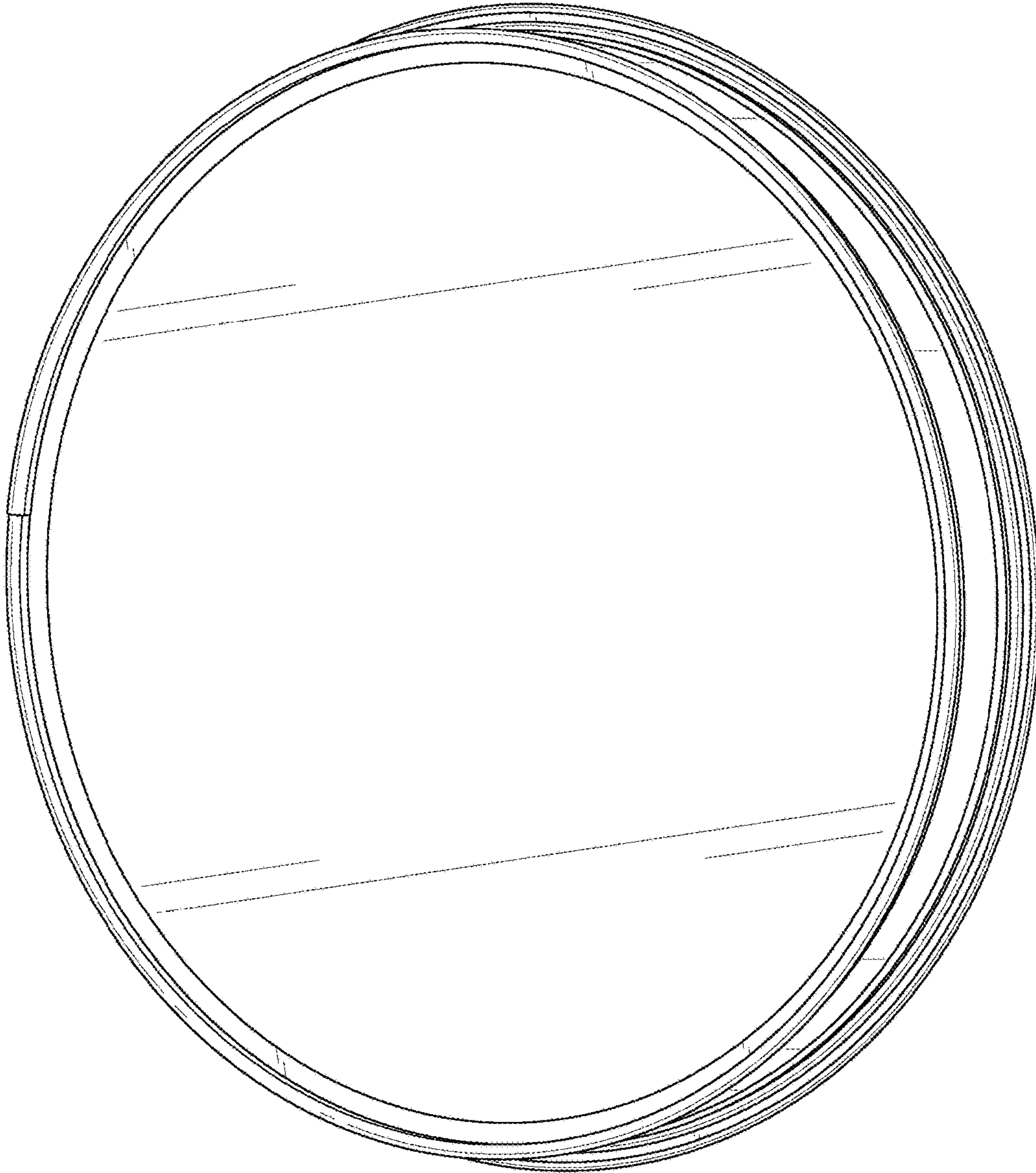


FIG. 6

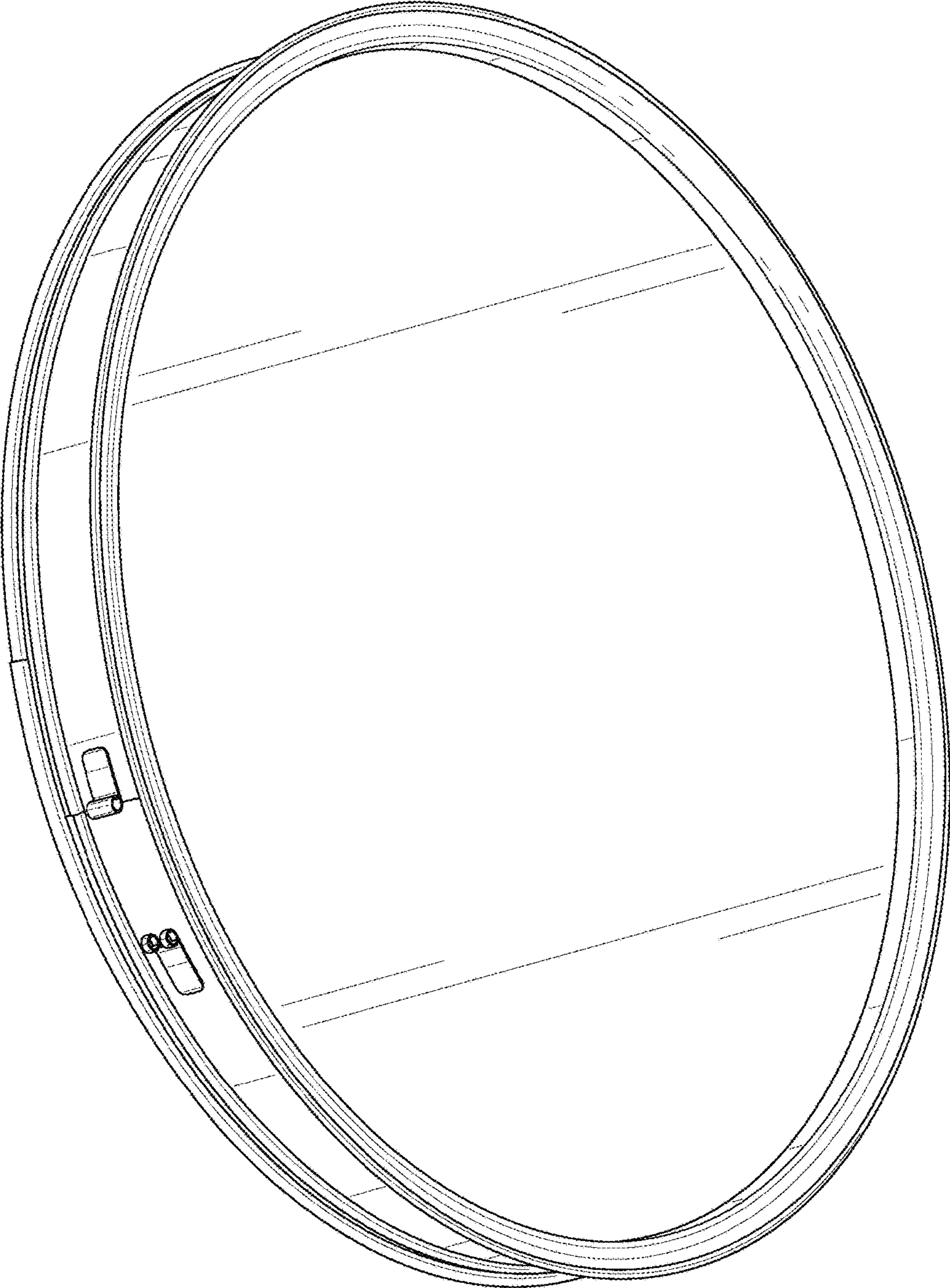


FIG. 7

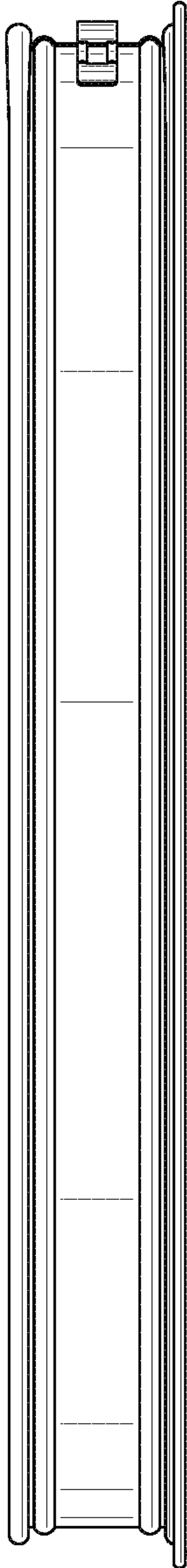


FIG. 8

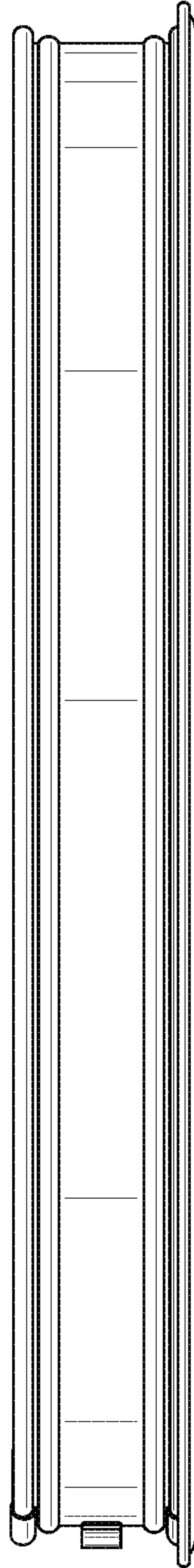


FIG. 9

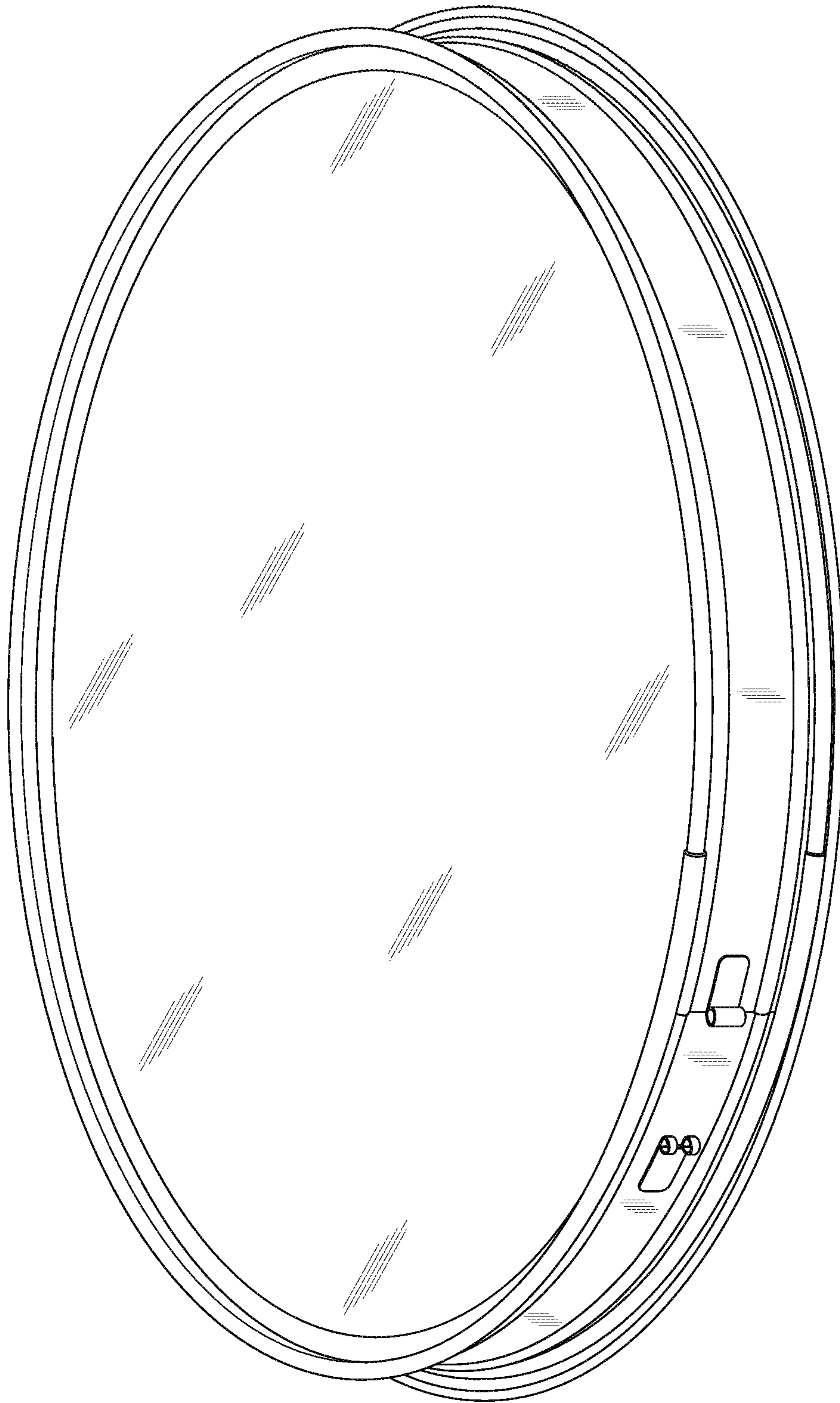


FIG. 10