



US00D817069S

(12) **United States Design Patent**
Tosdale

(10) **Patent No.:** **US D817,069 S**

(45) **Date of Patent:** **** May 8, 2018**

- (54) **PAN**
- (71) Applicant: **The Vollrath Company, L.L.C.**,
Sheboygan, WI (US)
- (72) Inventor: **David R. Tosdale**, Manitowoc, WI
(US)
- (73) Assignee: **The Vollrath Company, L.L.C.**,
Sheboygan, WI (US)
- (**) Term: **15 Years**
- (21) Appl. No.: **29/594,102**
- (22) Filed: **Feb. 15, 2017**
- (51) **LOC (11) Cl.** **07-02**
- (52) **U.S. Cl.**
USPC **D7/354**
- (58) **Field of Classification Search**
USPC D7/323, 354-361, 392.1, 543, 545, 549,
D7/550.1, 553.1-553.8, 554.1-554.4, 555,
D7/584, 586; D9/430-435, 455-456,
D9/737, 756-762
CPC A21B 3/00; A21B 3/13; A21B 3/15; A21B
3/134; A21B 5/00; A21B 5/02; A47J
27/16-27/17; A47J 36/022; A47J 36/025;
A47J 36/027; A47J 37/00; A47J 37/04;
B65D 1/22; B65D 1/24; B65D 1/34;
B65D 1/36; B65D 43/021; B65D 81/343;
B65D 85/34; B65D 85/36
See application file for complete search history.

- D44,448 S 8/1913 Meinecke
- 1,239,218 A 9/1917 Richards
- D102,362 S 12/1936 Friedman et al.
- 2,231,615 A 2/1941 Duke
- 2,352,684 A 7/1944 Braddock
- D156,184 S 11/1949 Ulmer
- 2,602,568 A 7/1952 Kinny
- 2,700,284 A 1/1955 Lyon
- D195,682 S 7/1963 Grogel
- (Continued)

FOREIGN PATENT DOCUMENTS

- JP 2002540827 12/2002
- WO WO 00/59351 10/2000
- (Continued)

OTHER PUBLICATIONS

Vollrath® Setting the Standard™ Smallwares & Light Equipment
2006-2007, 25 pages.
(Continued)

Primary Examiner — Ricky Pham
(74) *Attorney, Agent, or Firm* — Foley & Lardner LLP

(57) **CLAIM**

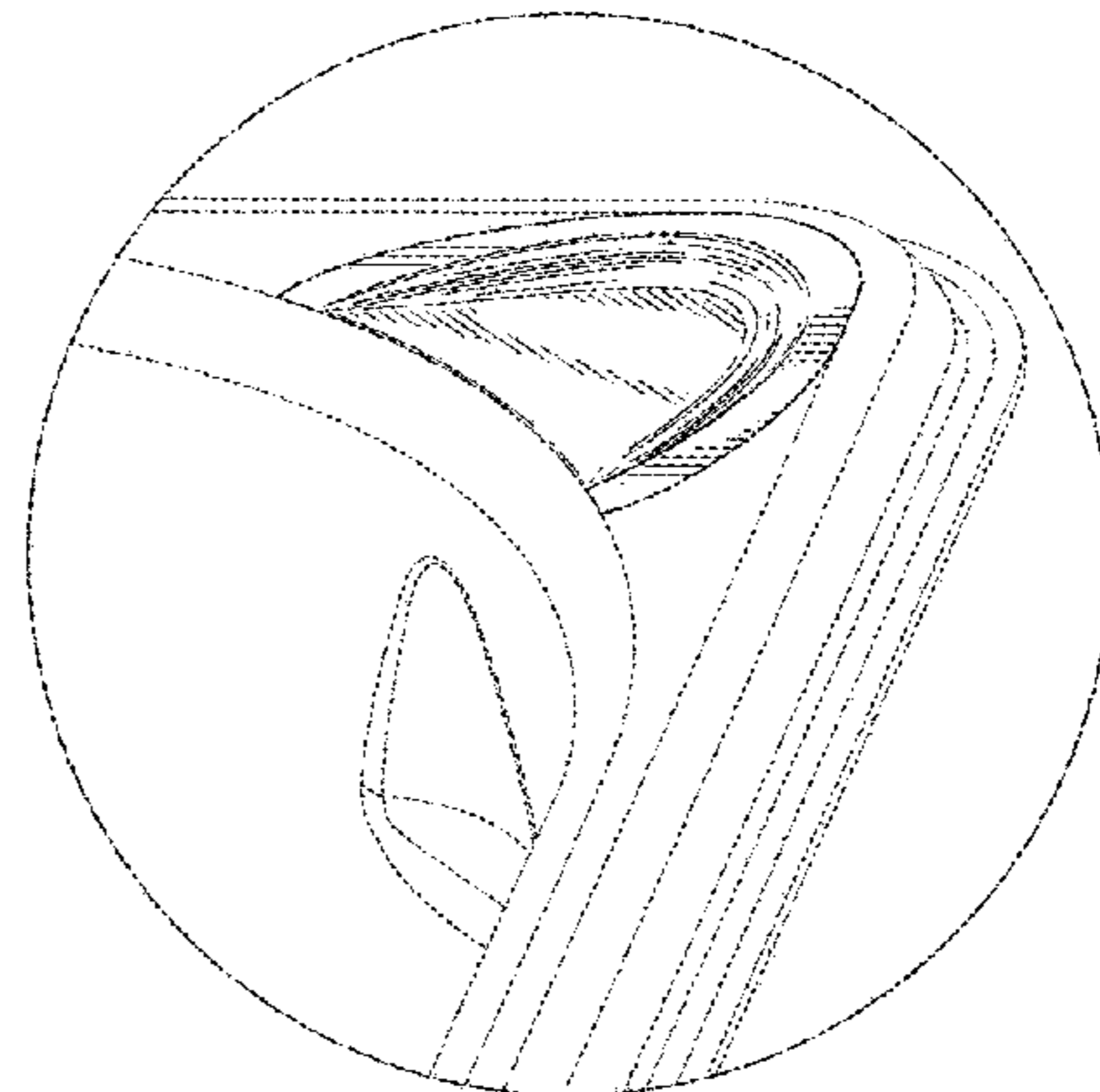
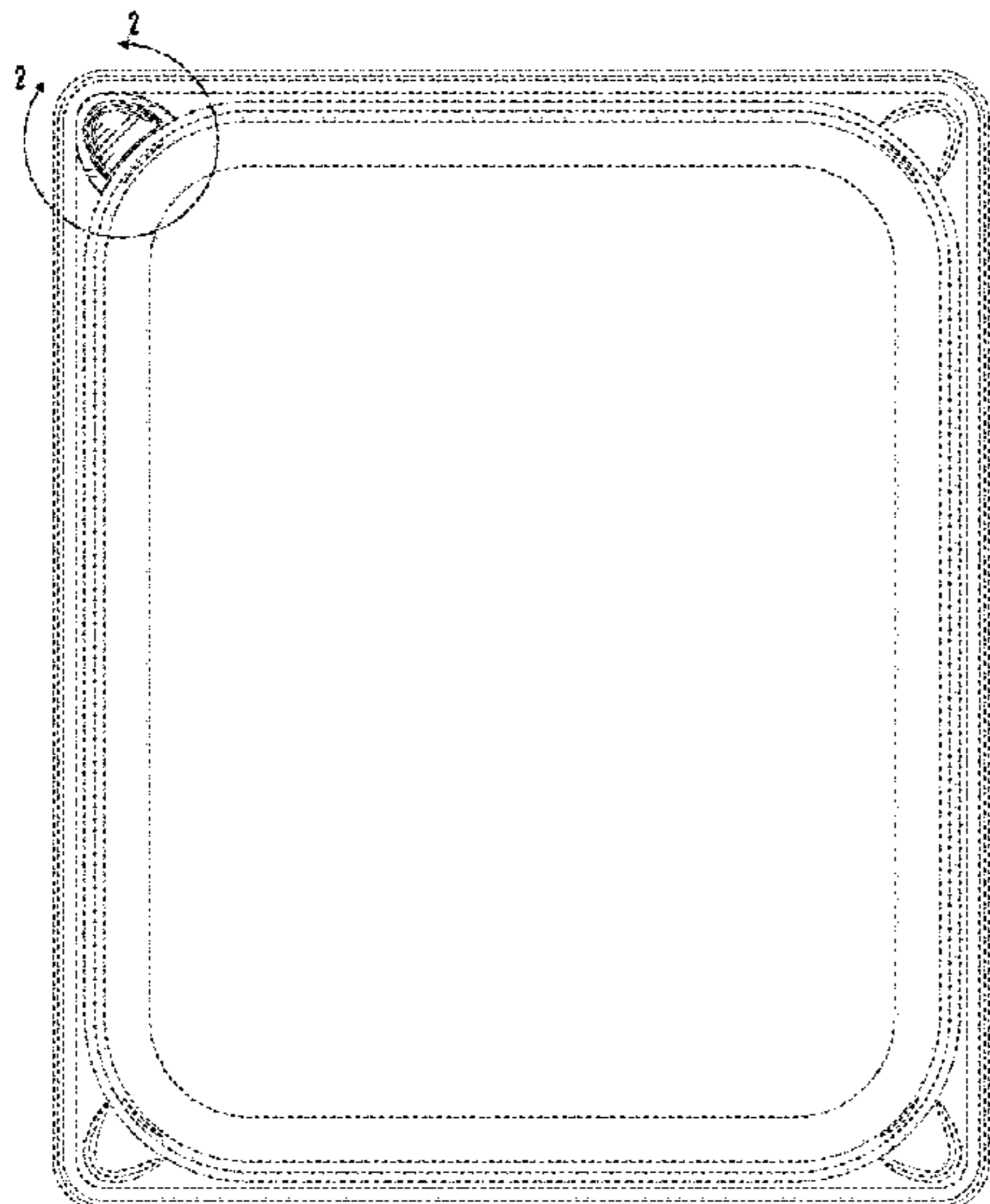
I claim the ornamental design for a pan, as shown and described.

DESCRIPTION

FIG. 1 is a top view of the claimed design;
FIG. 2 is a top view of a corner of the pan thereof;
FIG. 3 is a perspective view thereof;
FIG. 4 is a section view taken along line 4-4 in FIG. 2; and,
FIG. 5 is a section view taken along line 5-5 in FIG. 2.
The ornamental design which is claimed is shown in solid lines in the drawings. The broken lines in the drawings are for illustrative purposes only and form no part of the claimed design.

1 Claim, 5 Drawing Sheets

- (56) **References Cited**
U.S. PATENT DOCUMENTS
255,706 A 3/1882 Vuillier
436,883 A 9/1890 Wagandt
D21,710 S 7/1892 Murphy et al.
D33,218 S 9/1900 Dixon
1,061,769 A 5/1913 Meinecke



(56)

References Cited

U.S. PATENT DOCUMENTS

3,233,812 A *	2/1966	Kennedy	B65D 1/34 206/518	6,349,843 B1	2/2002	Mittmann et al.	
D208,566 S	9/1967	Lawler		D454,751 S	3/2002	Zank	
D209,239 S	11/1967	Bernstein		6,415,945 B1	7/2002	Zank et al.	
3,384,263 A	5/1968	Bernstein		D462,877 S	9/2002	Lillelund et al.	
3,476,282 A	11/1969	Monaco et al.		D463,977 S	10/2002	Castellanos et al.	
3,532,247 A	10/1970	Bridges		D469,300 S	1/2003	Nakazawa	
D220,749 S	5/1971	Artz		D472,428 S	4/2003	Massaloux et al.	
3,657,776 A	4/1972	Herbold		D473,757 S	4/2003	Schwartz	
D225,364 S	12/1972	Antoni		D474,687 S	5/2003	Jones et al.	
D262,931 S	2/1982	Levan		6,557,720 B2	5/2003	Tosdale et al.	
4,351,164 A	9/1982	Christiani		6,568,534 B2	5/2003	Zank	
D283,666 S	5/1986	Holzkopf		6,607,091 B2	8/2003	Gasbarro	
4,616,762 A *	10/1986	Alexander	A47J 36/022 206/503	6,653,602 B2	11/2003	Li	
D287,809 S	1/1987	Alexander		D487,669 S	3/2004	Smith et al.	
4,660,734 A	4/1987	Heaney et al.		D487,672 S	3/2004	Cote et al.	
D291,526 S	8/1987	Heaney et al.		6,705,210 B2	3/2004	Leonard	
4,744,597 A	5/1988	Bauman et al.		D490,656 S	6/2004	Levien	
D296,404 S	6/1988	Lowenbein		D498,980 S	11/2004	Smith et al.	
D298,900 S	12/1988	Blum et al.		D499,304 S	12/2004	Wiedmeyer et al.	
4,794,228 A	12/1988	Braun		D501,760 S	2/2005	Bukowski	
4,804,092 A	2/1989	Jones		6,866,832 B2	3/2005	Garwood	
4,828,112 A	5/1989	Vollrath		D515,866 S	2/2006	Wiedmeyer et al.	
D305,410 S	1/1990	Tyler		D516,380 S	3/2006	Kilders	
D309,846 S	8/1990	Pozzi		D516,859 S *	3/2006	Zettle	D7/392.1
5,035,327 A	7/1991	Denzin et al.		D517,366 S	3/2006	Oztiryaki	
D323,959 S	2/1992	Ciampi et al.		D520,304 S	5/2006	Kilders	
5,119,800 A	6/1992	Roberts et al.		D525,820 S *	8/2006	Oztiryaki	D7/354
5,131,708 A	7/1992	Denzin		D529,755 S	10/2006	Lobman et al.	
D333,944 S	3/1993	Denzin et al.		D530,625 S	10/2006	Darin	
5,203,257 A	4/1993	Goad		7,163,120 B1	1/2007	Blucher	
D342,806 S	12/1993	Jones et al.		D536,608 S	2/2007	Arkins	
D347,058 S	5/1994	Valentine		D541,591 S	5/2007	Wasserman et al.	
5,335,787 A	8/1994	Finchum et al.		D543,075 S	5/2007	Ablo	
5,492,533 A	2/1996	Kriesel		D543,412 S *	5/2007	Munson	D7/354
5,511,467 A	4/1996	Motley et al.		7,288,745 B2	10/2007	Colonna	
D373,053 S	8/1996	Allegre		D554,531 S	11/2007	Lovett	
D375,652 S	11/1996	Hayes		D557,413 S	12/2007	Buermann	
D379,301 S	5/1997	Lippincott		D562,078 S	2/2008	Herssein	
5,632,398 A	5/1997	Baltus et al.		D562,639 S	2/2008	Ablo	
D382,440 S	8/1997	Fonville		7,347,327 B2 *	3/2008	Lobman	A47J 27/17 206/518
D383,943 S	9/1997	Boley		D565,905 S	4/2008	Valderrama et al.	
5,676,276 A	10/1997	Zielinski et al.		D569,169 S	5/2008	Munson	
D387,272 S	12/1997	Lippincott		D573,407 S	7/2008	Cox	
5,699,784 A	12/1997	Tippmann et al.		D573,408 S	7/2008	Lovett	
5,756,968 A	5/1998	Chung		D573,412 S	7/2008	Ablo	
5,762,226 A	6/1998	Baltus et al.		D575,077 S	8/2008	Kessels	
D395,824 S	7/1998	Durliat		D575,095 S	8/2008	Schreiber-Pethan et al.	
D402,509 S	12/1998	Indekeu		D575,590 S	8/2008	Ablo	
D407,948 S	4/1999	Indekeu		D584,108 S	1/2009	Olsson	
D408,686 S	4/1999	Lillelund et al.		D584,923 S	1/2009	Scherer	
D414,409 S	9/1999	Sanfilippo et al.		D591,175 S	4/2009	Larson	
D415,656 S	10/1999	Henry		D592,458 S	5/2009	Scherer	
5,992,406 A	11/1999	Lelle		D595,094 S	6/2009	Vernes et al.	
D417,361 S	12/1999	Mittmann et al.		7,552,840 B2	6/2009	Gitschlag et al.	
6,021,914 A	2/2000	Schmidt		D596,893 S	7/2009	Tosdale et al.	
D422,836 S	4/2000	Mittmann		D597,371 S	8/2009	Tosdale et al.	
D427,482 S	7/2000	Mittmann		D608,633 S	1/2010	Elmerhaus	
D431,148 S	9/2000	Mittmann		D609,566 S *	2/2010	LaMasney	D9/435
D431,421 S	10/2000	Liu		D613,108 S	4/2010	Tosdale et al.	
D432,409 S	10/2000	Feldmeier		D618,954 S	7/2010	Antoun et al.	
D432,859 S *	10/2000	Hayes	D7/392.1	D618,955 S	7/2010	Antoun et al.	
D432,866 S	10/2000	Harrison		D618,956 S	7/2010	Antoun et al.	
D435,390 S	12/2000	Mittmann		D620,305 S	7/2010	Tosdale et al.	
D436,854 S	1/2001	Feldmeier		D620,306 S	7/2010	Tosdale et al.	
6,199,715 B1	3/2001	Hayes et al.		D623,020 S	9/2010	De Bretton Gordon	
D442,484 S	5/2001	Maxwell et al.		D623,021 S	9/2010	De Bretton Gordon	
D443,173 S	6/2001	Danielsen et al.		D623,479 S	9/2010	De Bretton Gordon	
D445,632 S	7/2001	Bradley		D625,959 S	10/2010	Deming	
D446,077 S *	8/2001	Tucker	D7/392.1	D630,045 S	1/2011	Antoun et al.	
D446,993 S	8/2001	Zank		D630,046 S	1/2011	Antoun et al.	
D446,994 S	8/2001	Zank		D630,047 S	1/2011	Antoun et al.	
D449,205 S	10/2001	Zank		7,866,503 B2	1/2011	Liebzeit	
D451,018 S	11/2001	Chen et al.		D632,956 S	2/2011	Fuller et al.	
				D633,754 S	3/2011	Benson	
				D640,895 S	7/2011	Tosdale et al.	
				D641,590 S	7/2011	Koennecke	
				D653,085 S	1/2012	Swallow	
				D656,778 S	4/2012	Bolgert	

(56)

References Cited

U.S. PATENT DOCUMENTS

D665,221 S 8/2012 Tosdale et al.
 D690,553 S 10/2013 Tosdale et al.
 D691,845 S 10/2013 Tosdale et al.
 D696,938 S 1/2014 Bevier et al.
 D706,620 S 6/2014 Matsumura et al.
 8,869,682 B2* 10/2014 Tosdale A47J 27/16
 206/518
 D751,332 S * 3/2016 Li D7/354
 2001/0019060 A1 9/2001 Zank
 2001/0035418 A1 11/2001 Tosdale et al.
 2005/0161453 A1 7/2005 Corrieri
 2005/0235838 A1 10/2005 Cohn
 2005/0252814 A1 11/2005 Lobman et al.
 2006/0201938 A1 9/2006 Wojcik et al.
 2006/0288997 A1 12/2006 Griffin
 2007/0062958 A1 3/2007 Kelly
 2007/0079822 A1 4/2007 Pickens et al.
 2007/0090118 A1 4/2007 Milkowski et al.
 2007/0221651 A1 9/2007 Kristina et al.
 2008/0169294 A1 7/2008 Liebzeit

2008/0169295 A1 7/2008 Liebzeit
 2008/0185390 A1 8/2008 Liebzeit
 2008/0296307 A1 12/2008 Liebzeit
 2010/0071567 A1 3/2010 Tosdale et al.
 2010/0181321 A1 7/2010 Liebzeit
 2011/0114638 A1* 5/2011 Kettner B65D 43/021
 220/260
 2012/0074032 A1* 3/2012 Tosdale A47J 27/16
 206/557

FOREIGN PATENT DOCUMENTS

WO WO 2007/043154 4/2007
 WO WO 2008/088352 7/2008
 WO WO 2010/039455 4/2010

OTHER PUBLICATIONS

Vollrath, Equipment and Smallwares Catalog, 2010-2011, Smallwares, 21 pages.

* cited by examiner

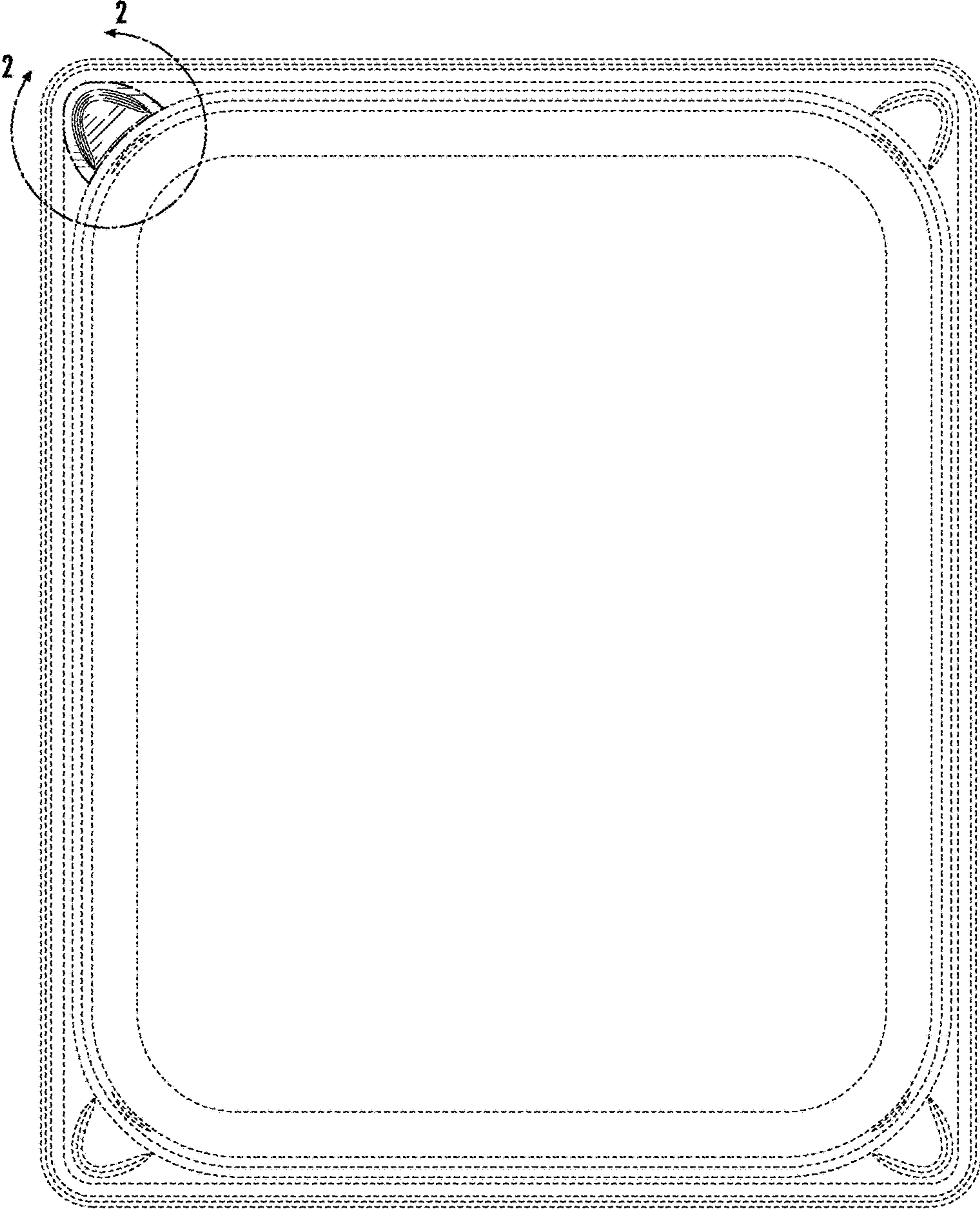


FIG. 1

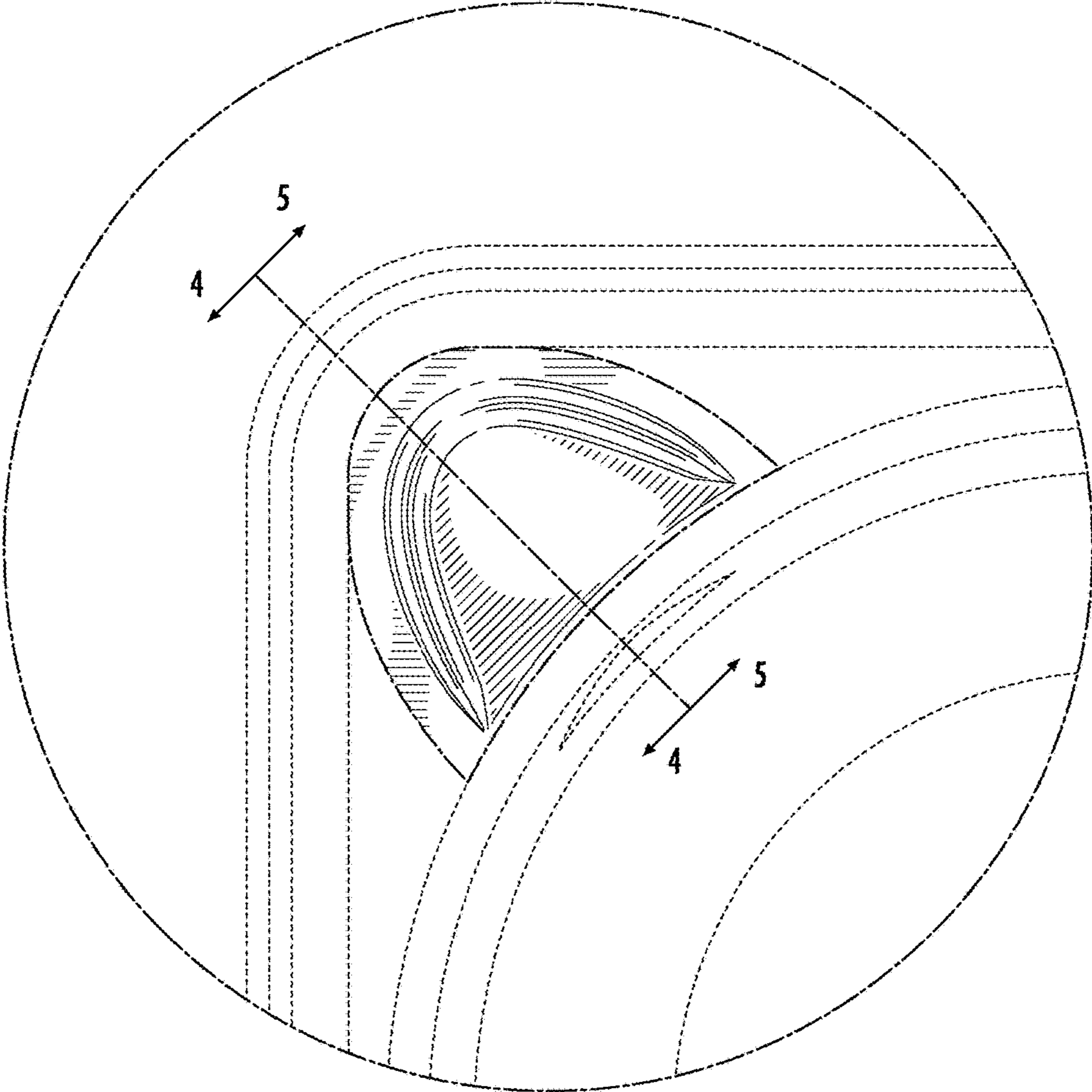


FIG. 2

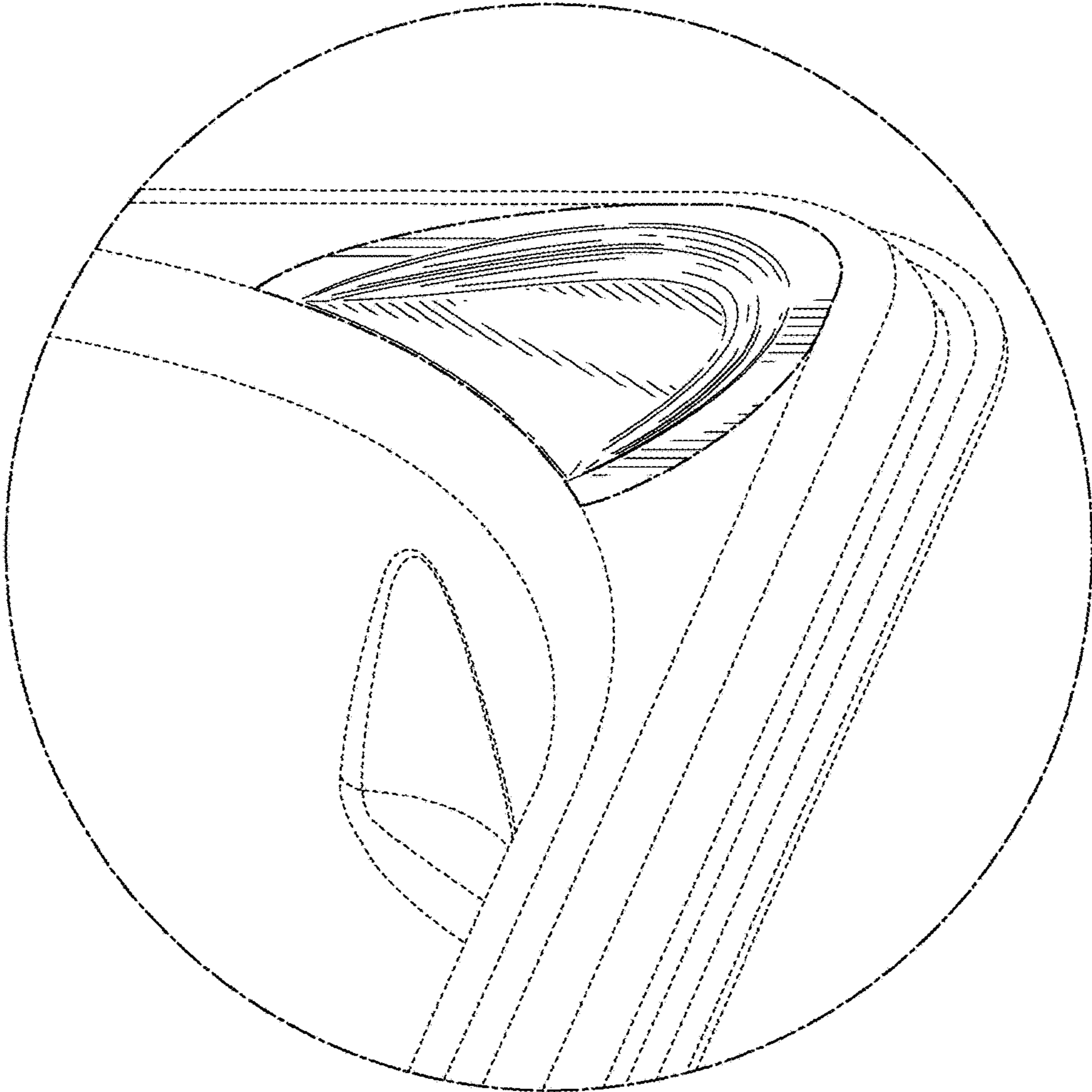


FIG. 3

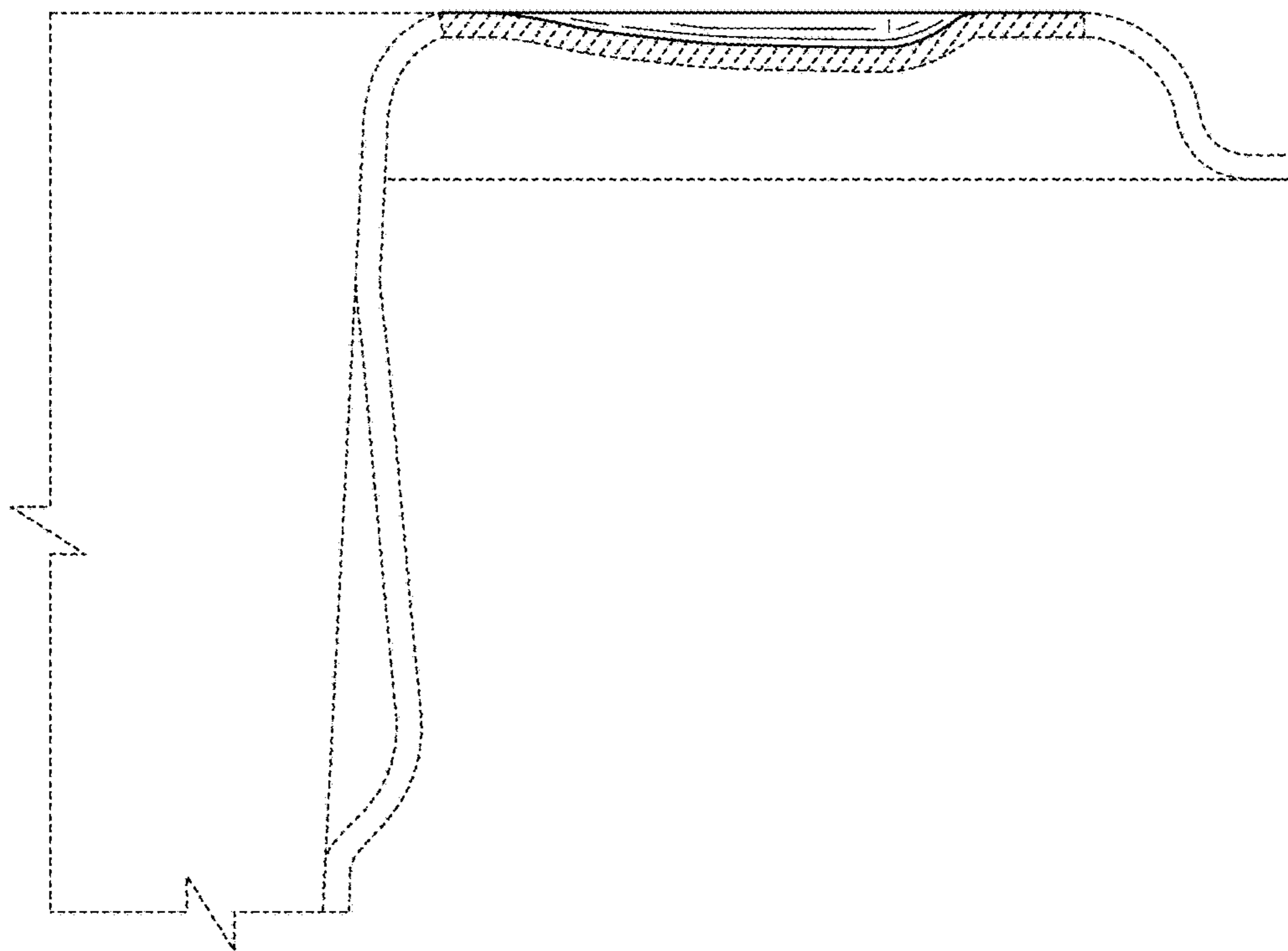


FIG. 4

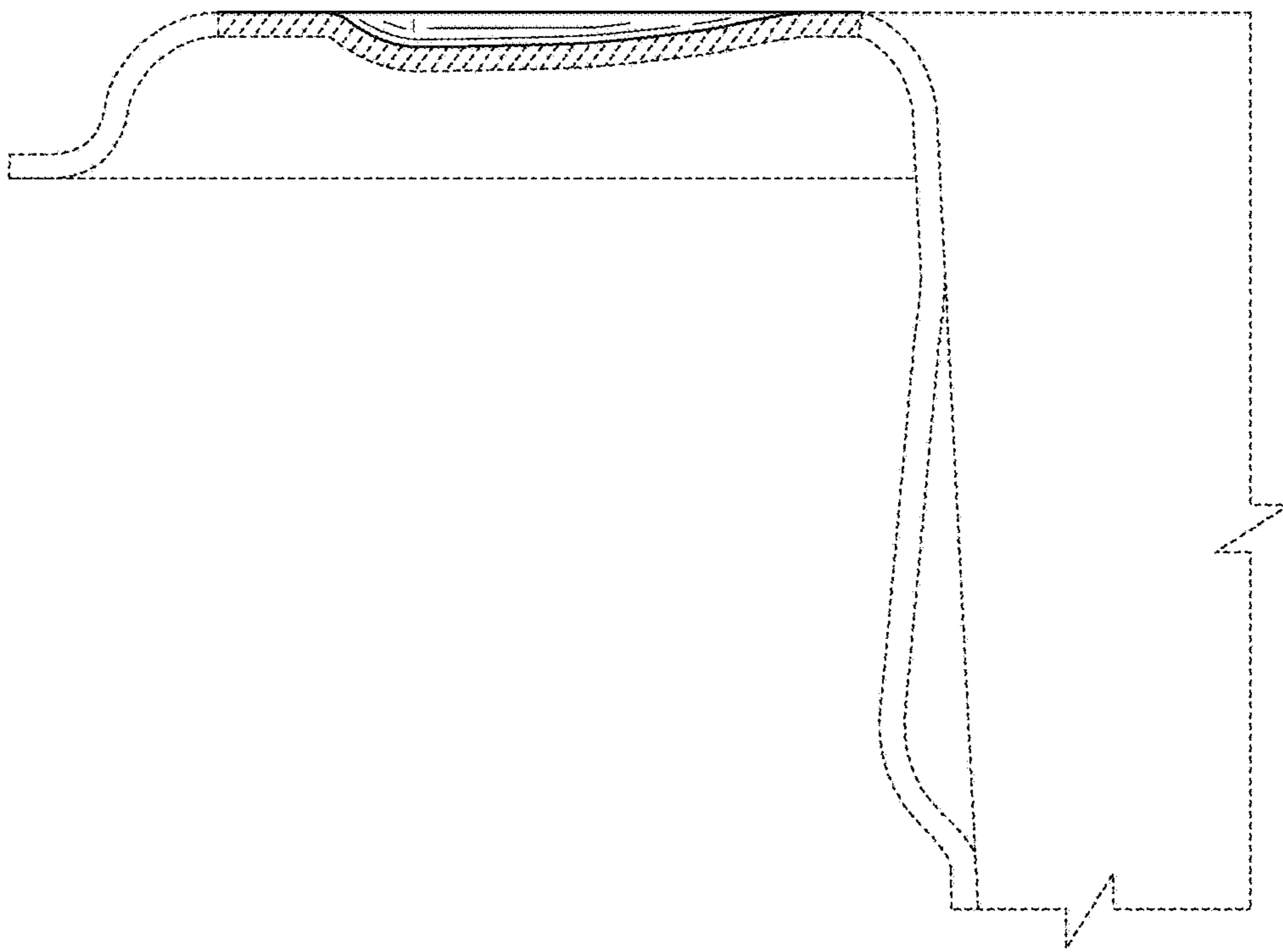


FIG. 5