



US00D817067S

(12) **United States Design Patent** (10) **Patent No.:** **US D817,067 S**  
**Shoemaker et al.** (45) **Date of Patent:** **\*\* May 8, 2018**

(54) **OVEN**

- (71) Applicant: **Sears Brands, L.L.C.**, Hoffman Estates, IL (US)
- (72) Inventors: **Anthony Shoemaker**, Bartlett, IL (US); **Jason Silverstein**, Hoffman Estates, IL (US); **Daniel Green**, Charlotte, NC (US); **Roddy Burgess**, Charlotte, NC (US)
- (73) Assignee: **SEARS BRANDS, L.L.C.**, Hoffman Estates, IL (US)
- (\*\*) Term: **15 Years**
- (21) Appl. No.: **29/583,675**
- (22) Filed: **Nov. 8, 2016**

(56)

**References Cited**

U.S. PATENT DOCUMENTS

D523,685 S	6/2006	Jung et al.	
D526,527 S	8/2006	Jung et al.	
D541,578 S	5/2007	Jeon	
D566,464 S	4/2008	Martin et al.	
D569,686 S *	5/2008	Martin .....	D7/405
D580,698 S	11/2008	Kim et al.	
D611,756 S	3/2010	Yalcin et al.	
D626,781 S *	11/2010	Busalt .....	D7/349
D646,112 S	10/2011	Park et al.	
D654,299 S	2/2012	Benold	
D669,297 S	10/2012	Tanaka et al.	
D671,790 S *	12/2012	Busalt .....	D7/349
D690,994 S	10/2013	Baek et al.	
D724,889 S *	3/2015	Borjesson .....	D7/349
D736,027 S	8/2015	Funnell, II et al.	
D736,553 S *	8/2015	Funnell, II .....	D7/339
D745,310 S	12/2015	Funnell, II et al.	
D745,311 S *	12/2015	Funnell, II .....	D7/349
D750,414 S	3/2016	Funnell, II et al.	
D763,616 S *	8/2016	Kim .....	D7/339

(Continued)

**Related U.S. Application Data**

- (62) Division of application No. 29/528,397, filed on May 28, 2015, now Pat. No. Des. 770,839.
- (51) **LOC (11) Cl.** ..... **07-02**
- (52) **U.S. Cl.**  
USPC ..... **D7/349**; D7/348
- (58) **Field of Classification Search**  
USPC ..... D7/323, 328-330, 339-349, 390, D7/402-406; D8/300-306  
CPC ... A21B 2/00; A47J 37/00; A47J 37/06; A47J 37/0611; A47J 37/08; A47J 37/0807; A47J 37/0814; A47J 37/0835; A47J 37/0842; A47J 37/085; A47J 37/0864; A47J 37/0878; A47J 37/0885; A47J 37/0892; F24C 7/00; F24C 7/002; F24C 7/046; F24C 7/067; F24C 15/02; F24C 15/04; F24C 15/10; F24C 15/102  
See application file for complete search history.

Primary Examiner — Ricky Pham

(74) *Attorney, Agent, or Firm* — McAndrews, Held & Malloy, Ltd.

(57)

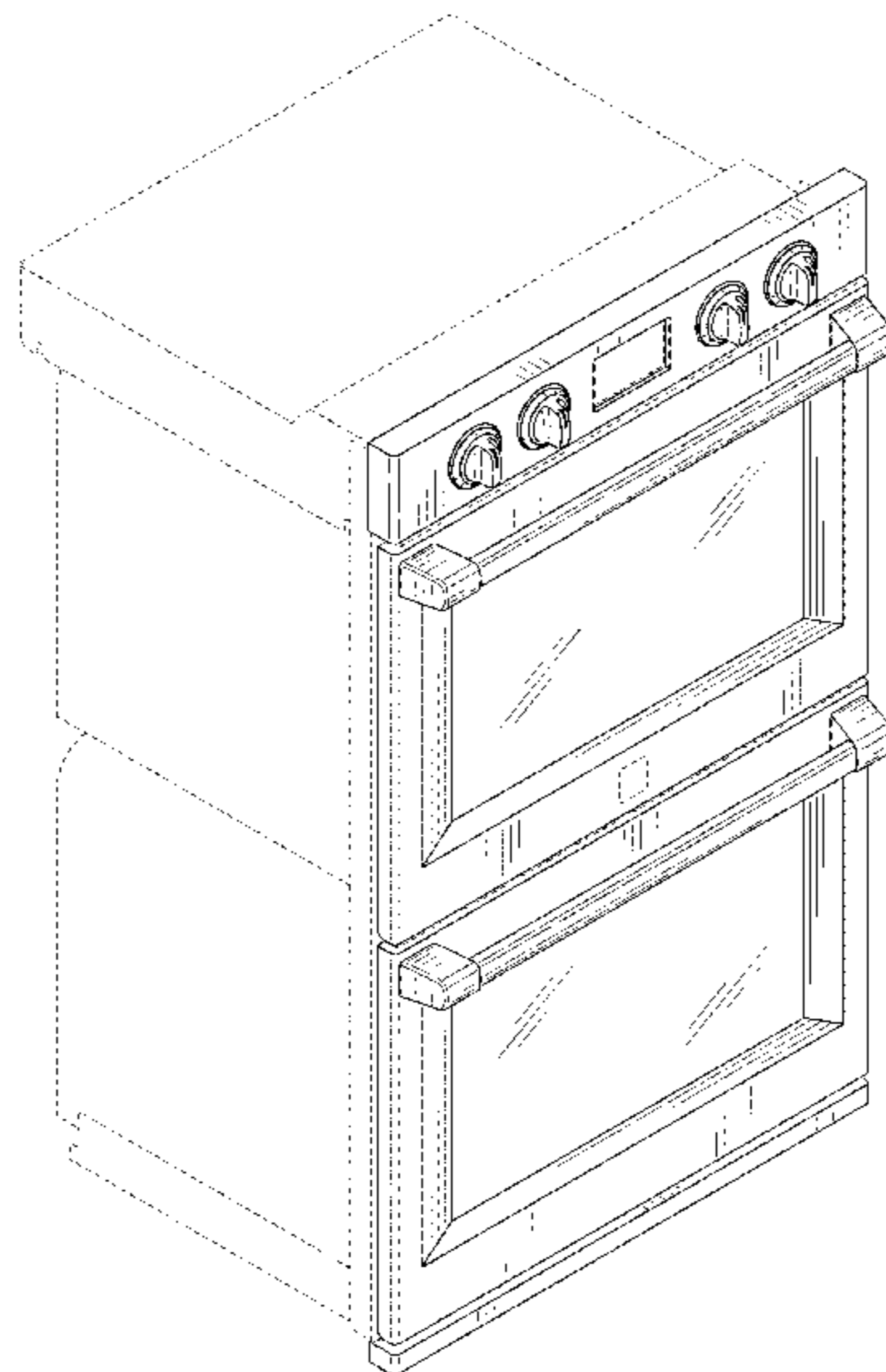
**CLAIM**

The ornamental design for an oven, as shown and described.

**DESCRIPTION**

FIG. 1 is a top left front perspective view of an oven showing our new design;  
 FIG. 2 is a front view thereof;  
 FIG. 3 is a right-side elevation view thereof;  
 FIG. 4 is a left-side elevation view thereof;  
 FIG. 5 is a top plan view thereof; and,  
 FIG. 6 is a bottom plan view thereof.  
 The dashed broken lines illustrate portions of the oven that form no part of the claimed design.

**1 Claim, 5 Drawing Sheets**



(56)

**References Cited**

U.S. PATENT DOCUMENTS

D763,617 S *	8/2016	Kim .....	D7/339
D770,839 S	11/2016	Shoemaker et al.	
D777,502 S *	1/2017	Fuller .....	D7/339
D781,648 S *	3/2017	Shoemaker .....	D7/406
D789,740 S *	6/2017	Shoemaker .....	D7/406
D790,916 S *	7/2017	Kim .....	D7/406

\* cited by examiner

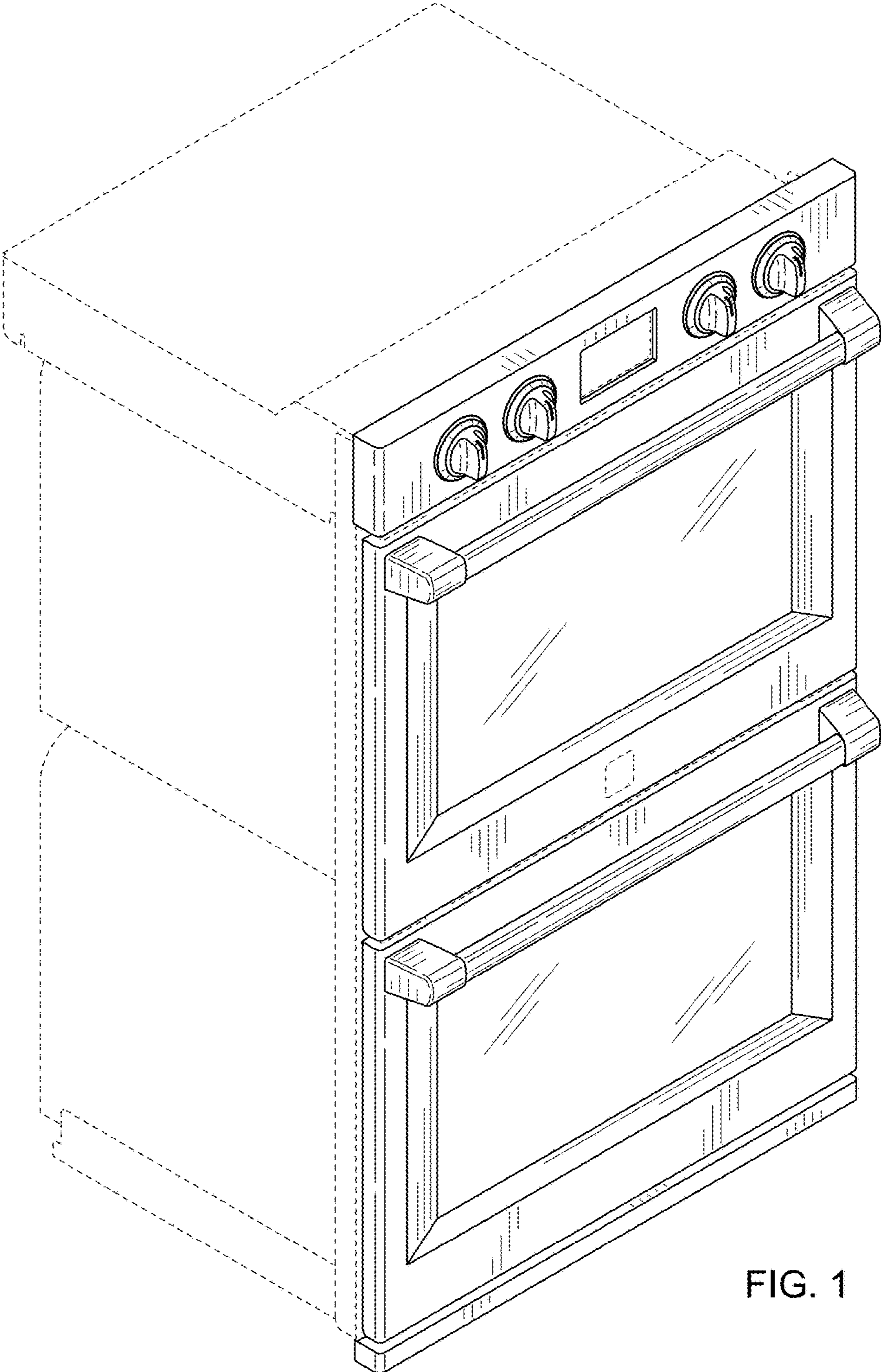


FIG. 1

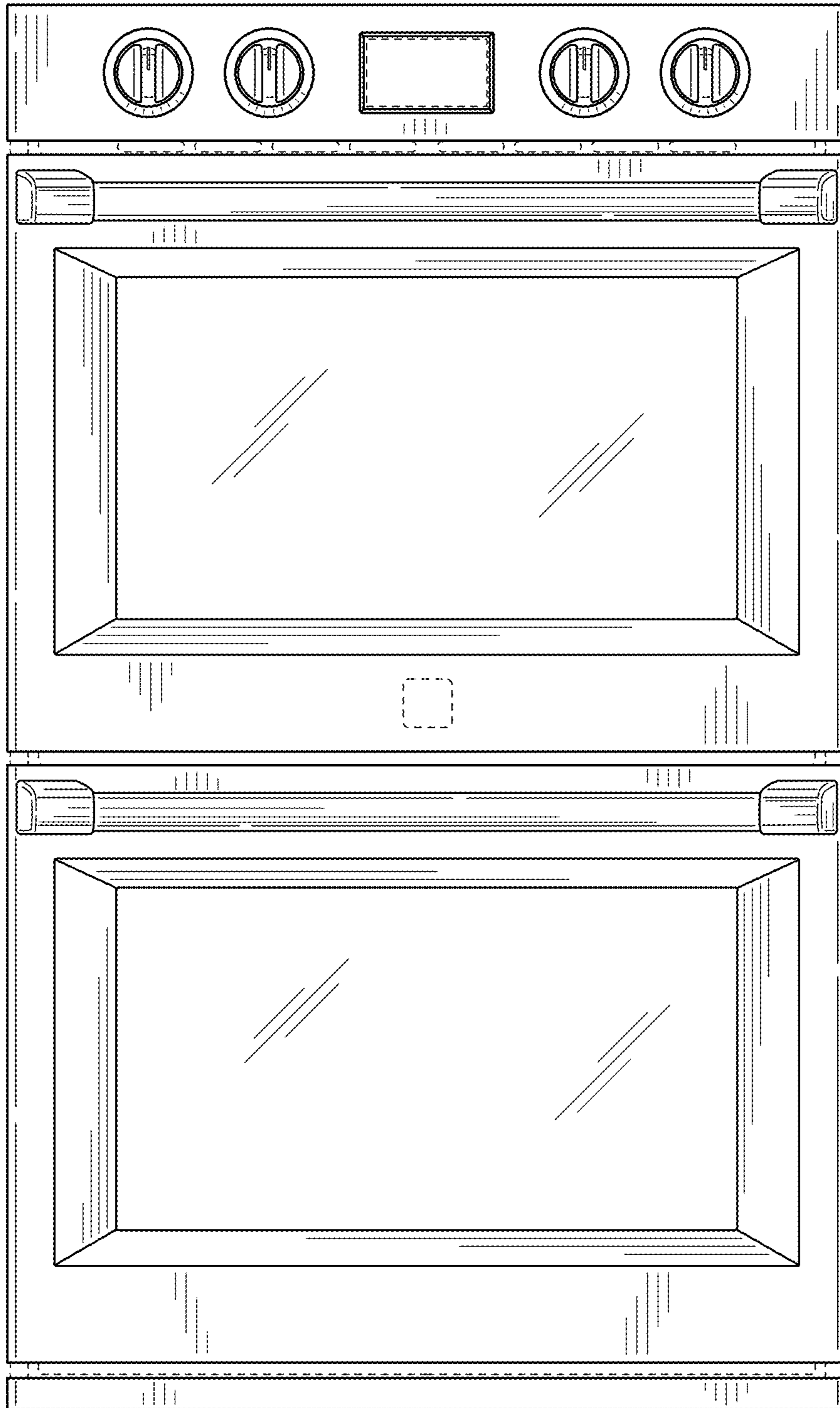


FIG. 2

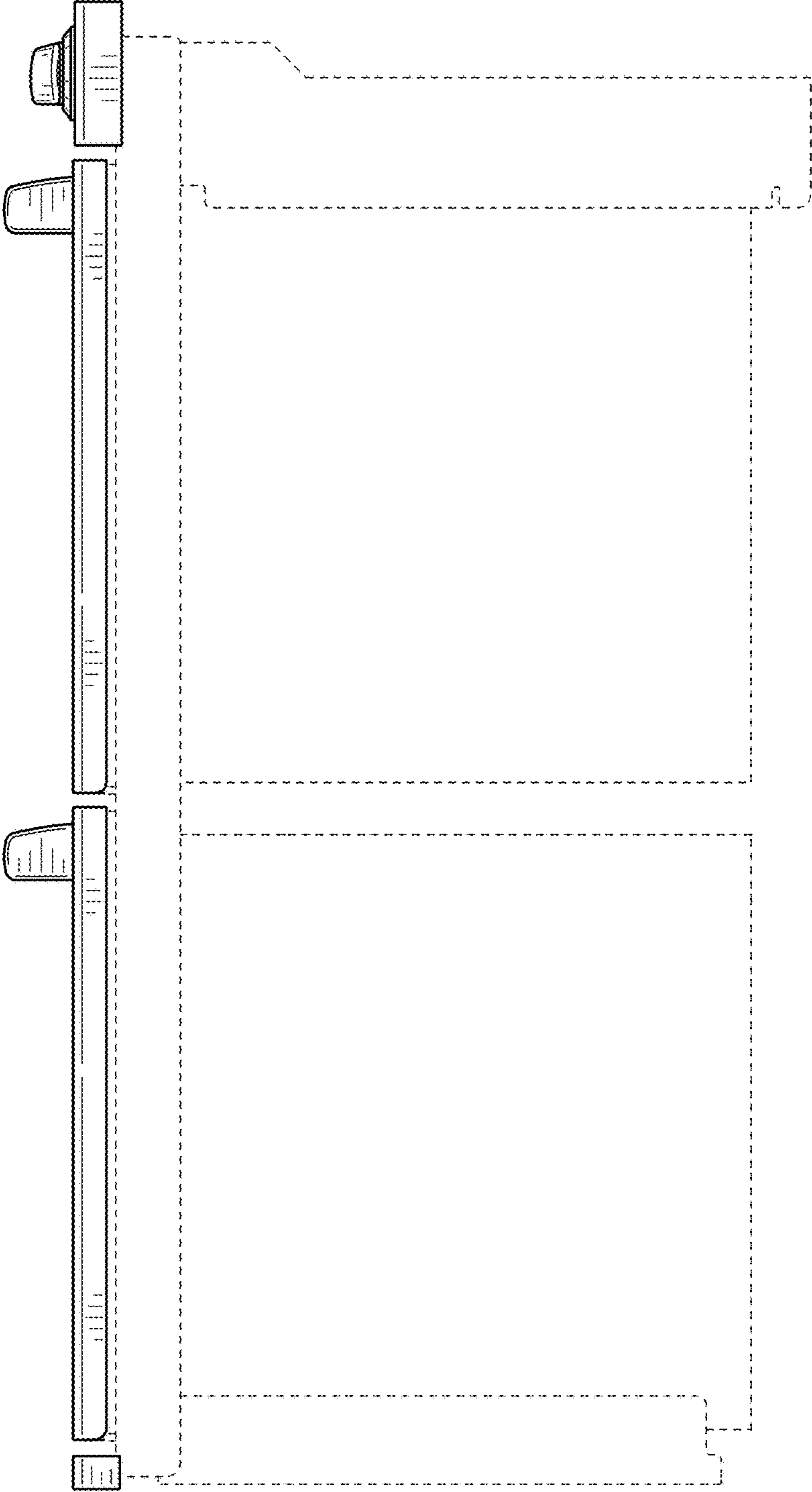


FIG. 3

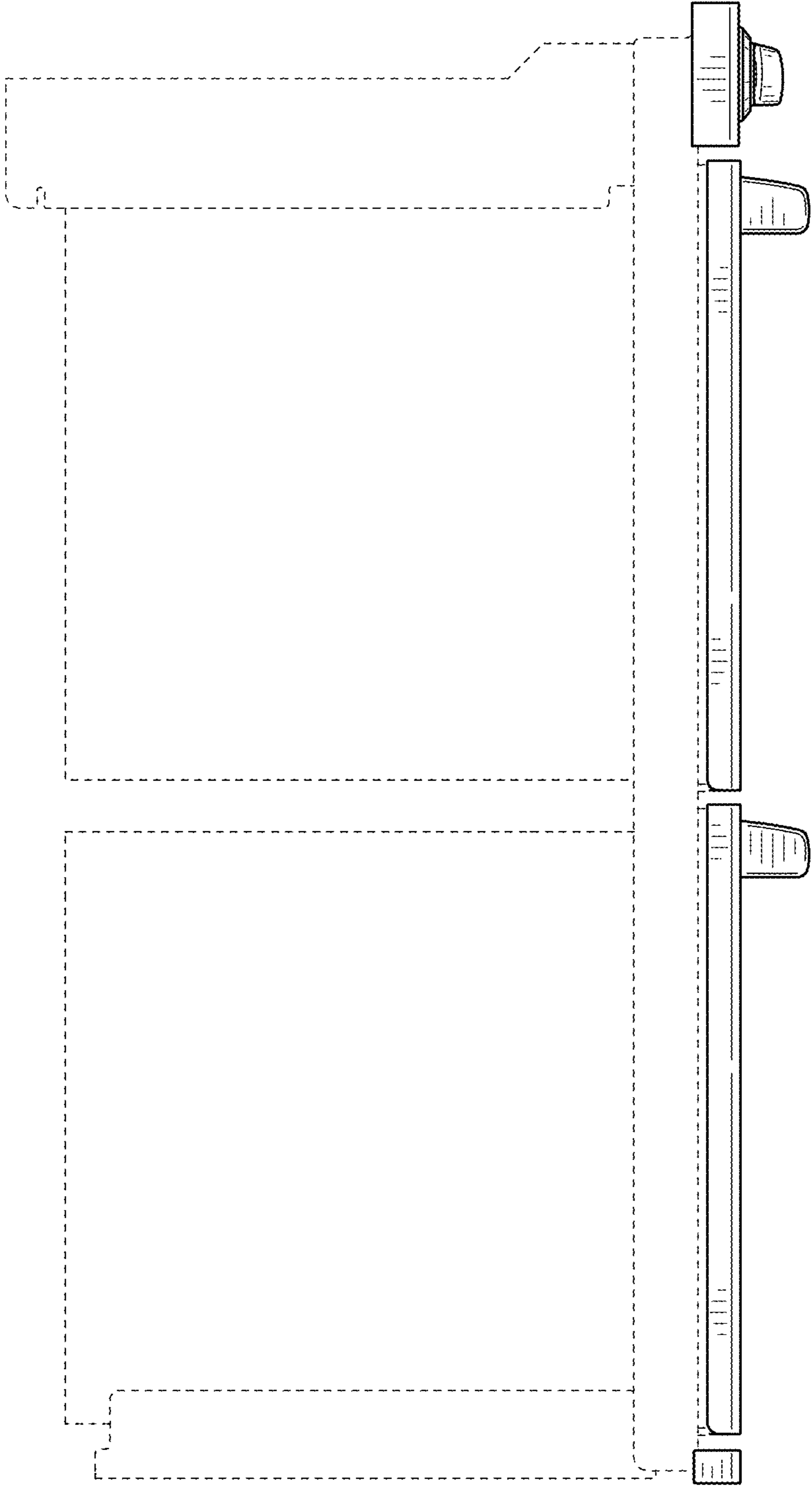


FIG. 4

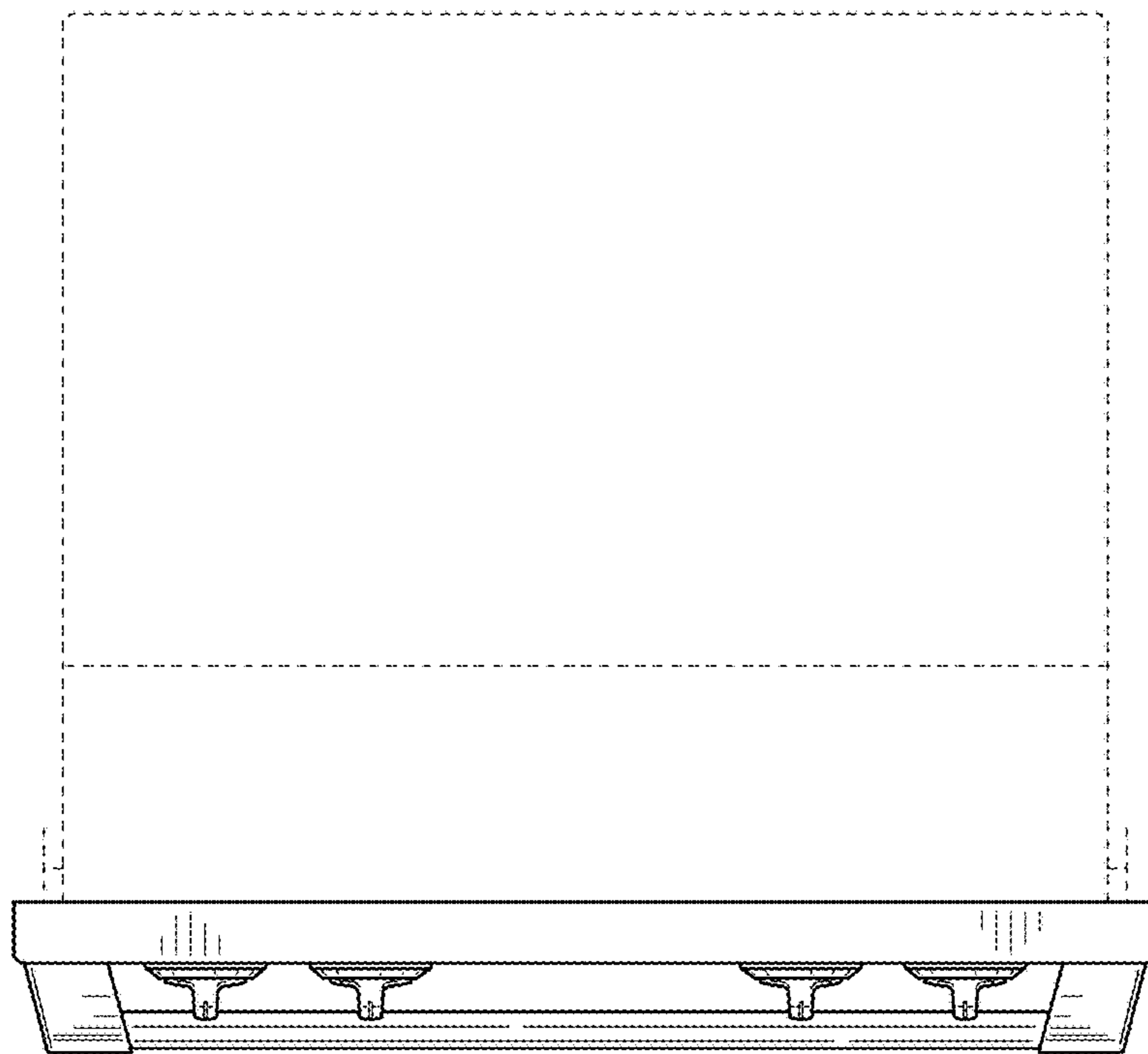


FIG. 5

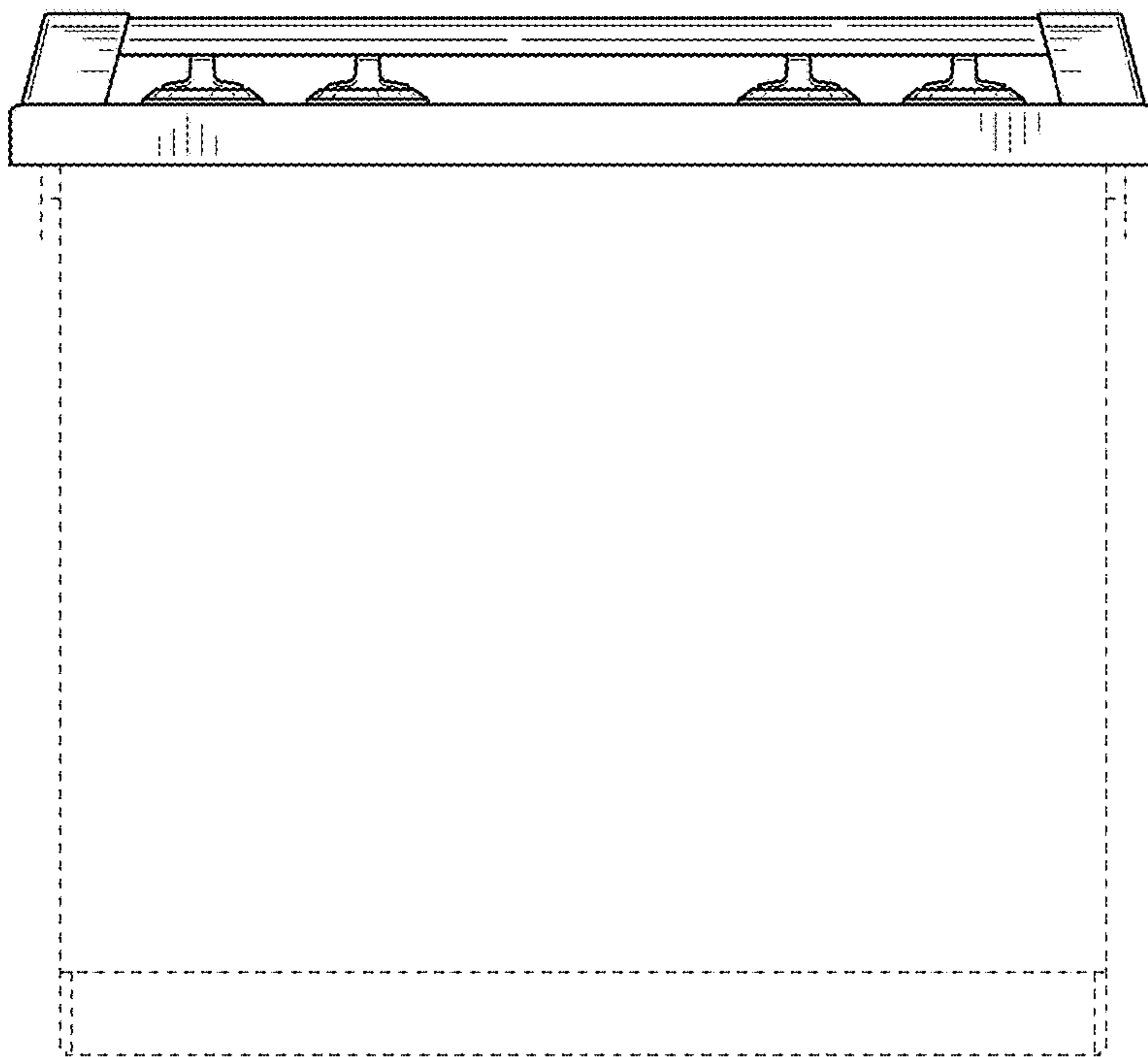


FIG. 6