



US00D817066S

(12) **United States Design Patent** (10) **Patent No.:** **US D817,066 S**
Shoemaker et al. (45) **Date of Patent:** **** May 8, 2018**

(54) **OVEN**

(56)

References Cited

(71) Applicant: **Sears Brands, L.L.C.**, Hoffman Estates, IL (US)

U.S. PATENT DOCUMENTS

(72) Inventors: **Anthony Shoemaker**, Bartlett, IL (US); **Jason Silverstein**, Hoffman Estates, IL (US); **Daniel Green**, Charlotte, NC (US); **Roddy Burgess**, Charlotte, NC (US)

D564,282 S	3/2008	Suh et al.	
D578,823 S	10/2008	Kim	
D605,456 S *	12/2009	Bengtson	D7/340
D609,966 S *	2/2010	Bengtson	D7/405
D610,863 S	3/2010	Kim et al.	
D615,345 S	5/2010	Grey et al.	
D617,133 S	6/2010	Grey et al.	
D653,900 S	2/2012	Kim et al.	
D655,128 S	3/2012	Kim et al.	
D685,602 S	7/2013	Lee	
D697,358 S	1/2014	Kim et al.	
D700,469 S	3/2014	Reay et al.	
D702,988 S	4/2014	Boo et al.	
D731,845 S	6/2015	Kim et al.	
D736,553 S	8/2015	Richard et al.	
D755,008 S *	5/2016	Kim	D7/406
D755,009 S *	5/2016	Kim	D7/406
D763,616 S *	8/2016	Kim	D7/339
D763,617 S *	8/2016	Kim	D7/339
D773,232 S	12/2016	Shoemaker et al.	

(73) Assignee: **SEARS BRANDS, L.L.C.**, Hoffman Estates, IL (US)

(**) Term: **15 Years**

(21) Appl. No.: **29/586,727**

(22) Filed: **Dec. 6, 2016**

(Continued)

Related U.S. Application Data

(62) Division of application No. 29/528,382, filed on May 28, 2015, now Pat. No. Des. 773,232.

Primary Examiner — Ricky Pham

(74) *Attorney, Agent, or Firm* — McAndrews, Held & Malloy, Ltd.

(51) **LOC (11) Cl.** **07-02**

(57) **CLAIM**

(52) **U.S. Cl.**
USPC **D7/339**; D7/348

The ornamental design for an oven, as shown and described.

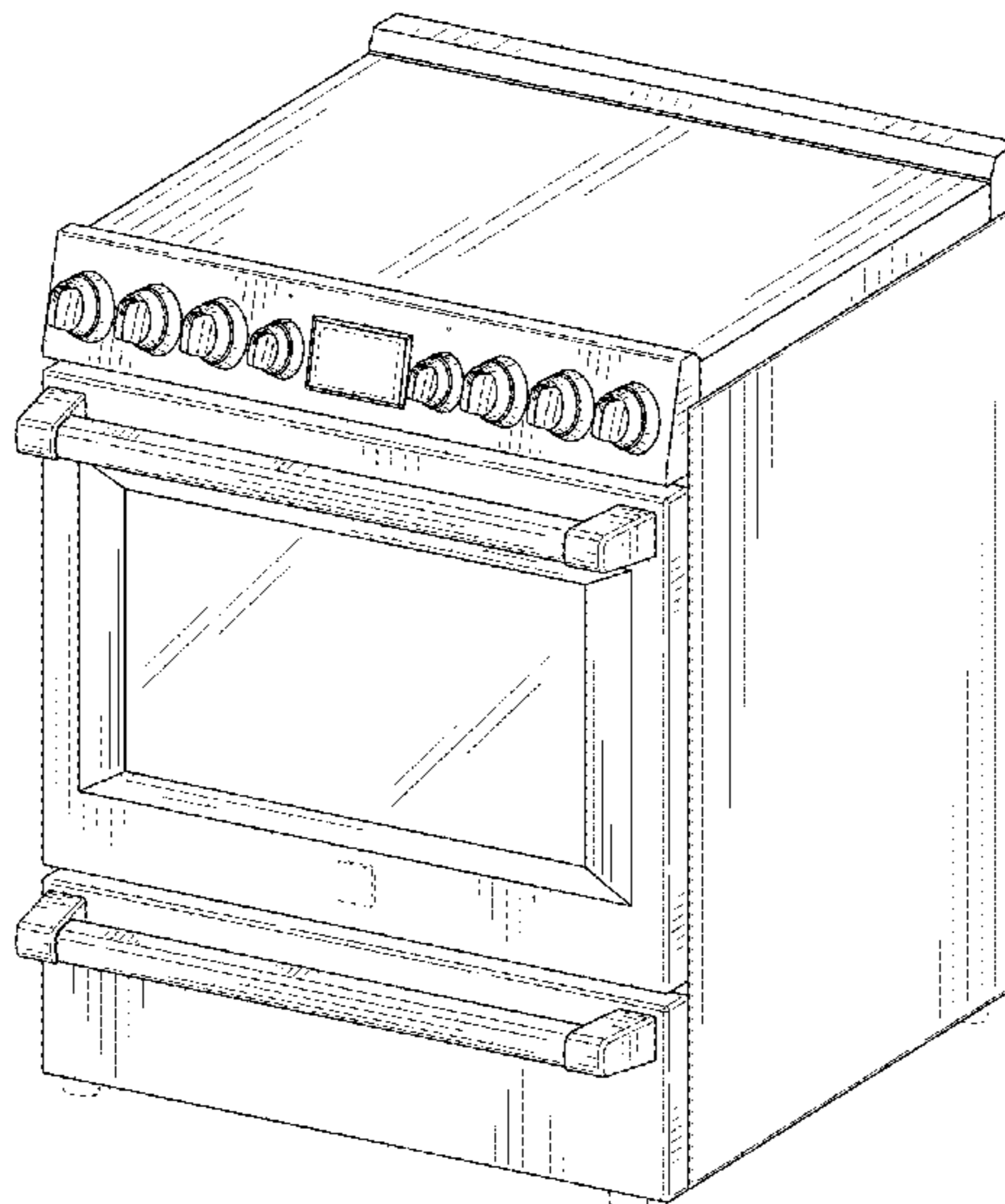
DESCRIPTION

(58) **Field of Classification Search**
USPC D7/323, 328–330, 339–349, 390, D7/402–408; D8/300–306
CPC ... A21B 2/00; A47J 37/00; A47J 37/06; A47J 37/0611; A47J 37/08; A47J 37/0807; A47J 37/0814; A47J 37/0835; A47J 37/0842; A47J 37/085; A47J 37/0864; A47J 37/0878; A47J 37/0885; A47J 37/0892; F24C 7/00; F24C 7/002; F24C 7/046; F24C 7/067; F24C 15/02; F24C 15/04; F24C 15/10; F24C 15/102

FIG. 1 is a top right front perspective view of an oven showing our new design;
FIG. 2 is a front view thereof;
FIG. 3 is a left-side elevation view thereof;
FIG. 4 is a right-side elevation view thereof;
FIG. 5 is a top plan view thereof; and,
FIG. 6 is a bottom plan view thereof.
The dashed broken lines illustrate portions of the oven that form no part of the claimed design.

See application file for complete search history.

1 Claim, 6 Drawing Sheets



(56)

References Cited

U.S. PATENT DOCUMENTS

D781,648 S *	3/2017	Shoemaker	D7/406
D790,916 S *	7/2017	Kim	D7/406
D793,150 S *	8/2017	Lee	D7/323
D798,108 S *	9/2017	Shoemaker	D7/408

* cited by examiner

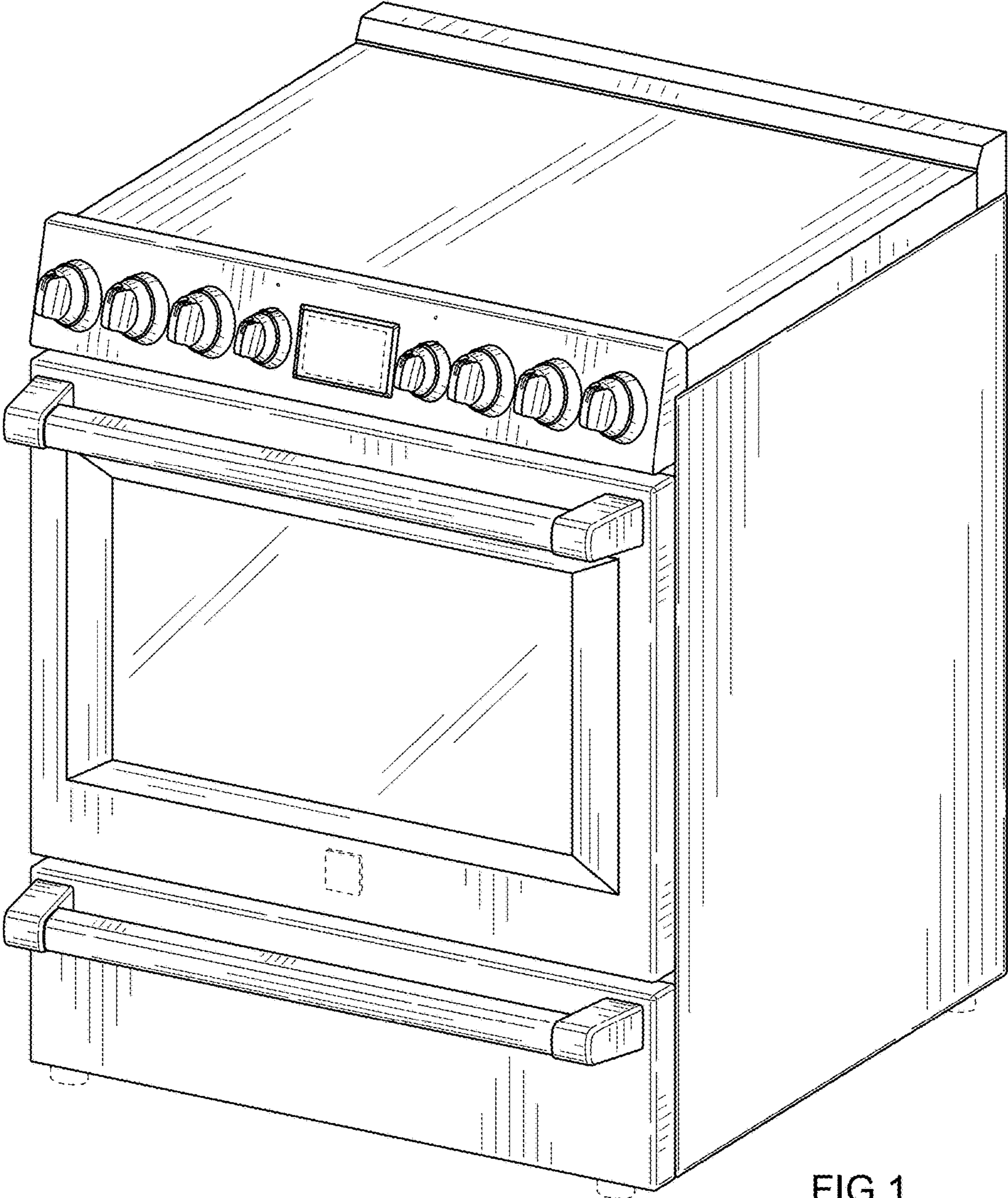


FIG.1

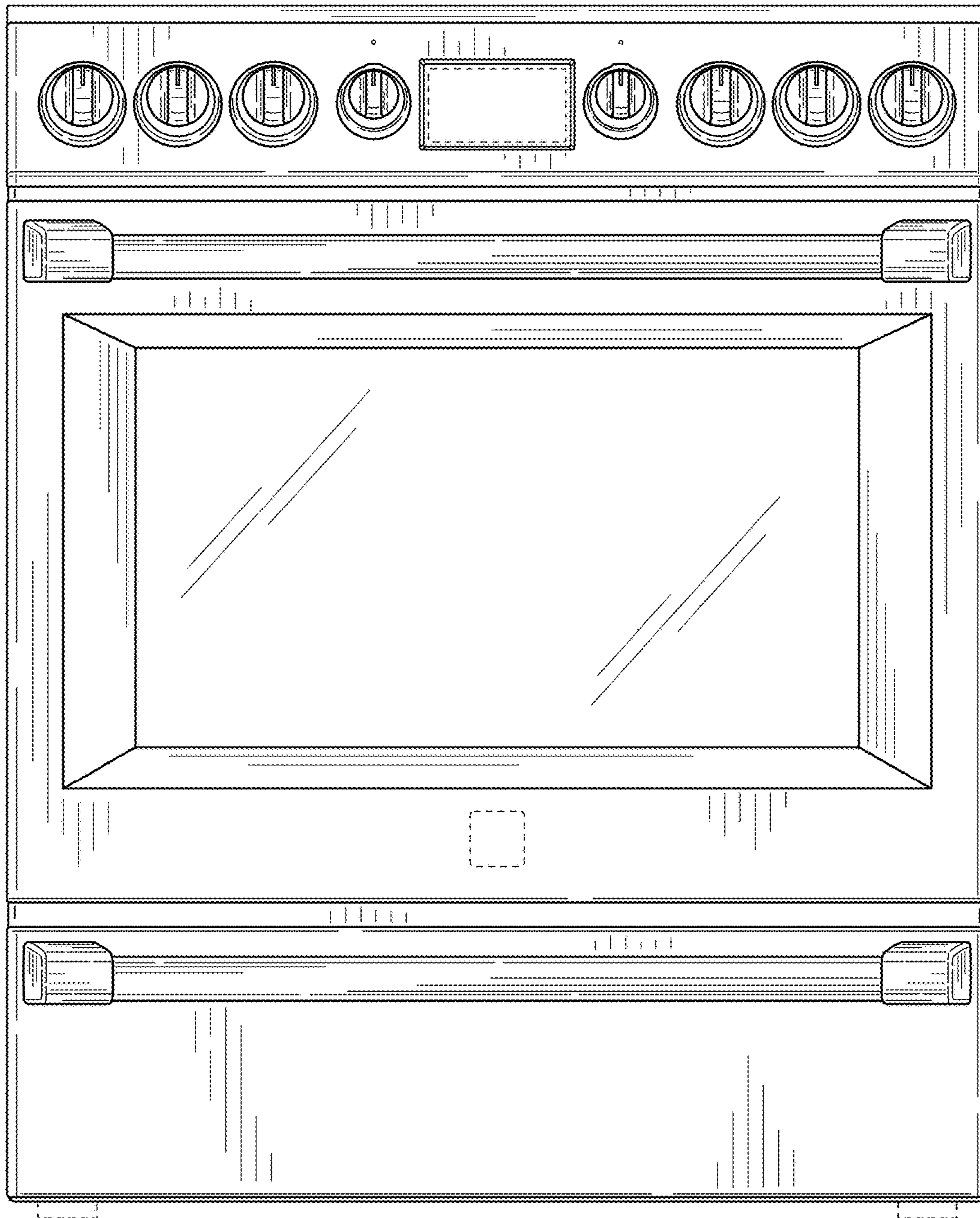


FIG.2

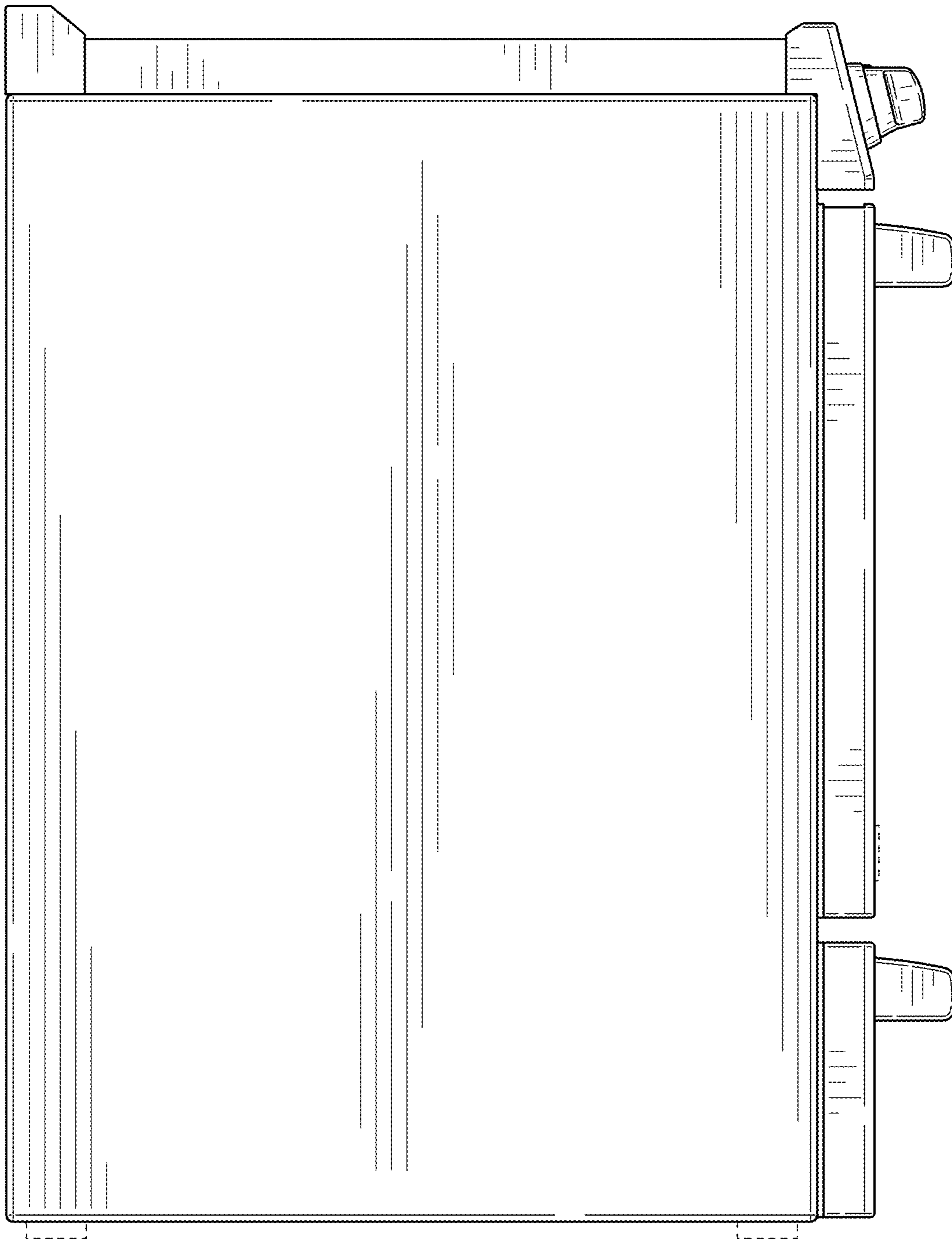


FIG.3

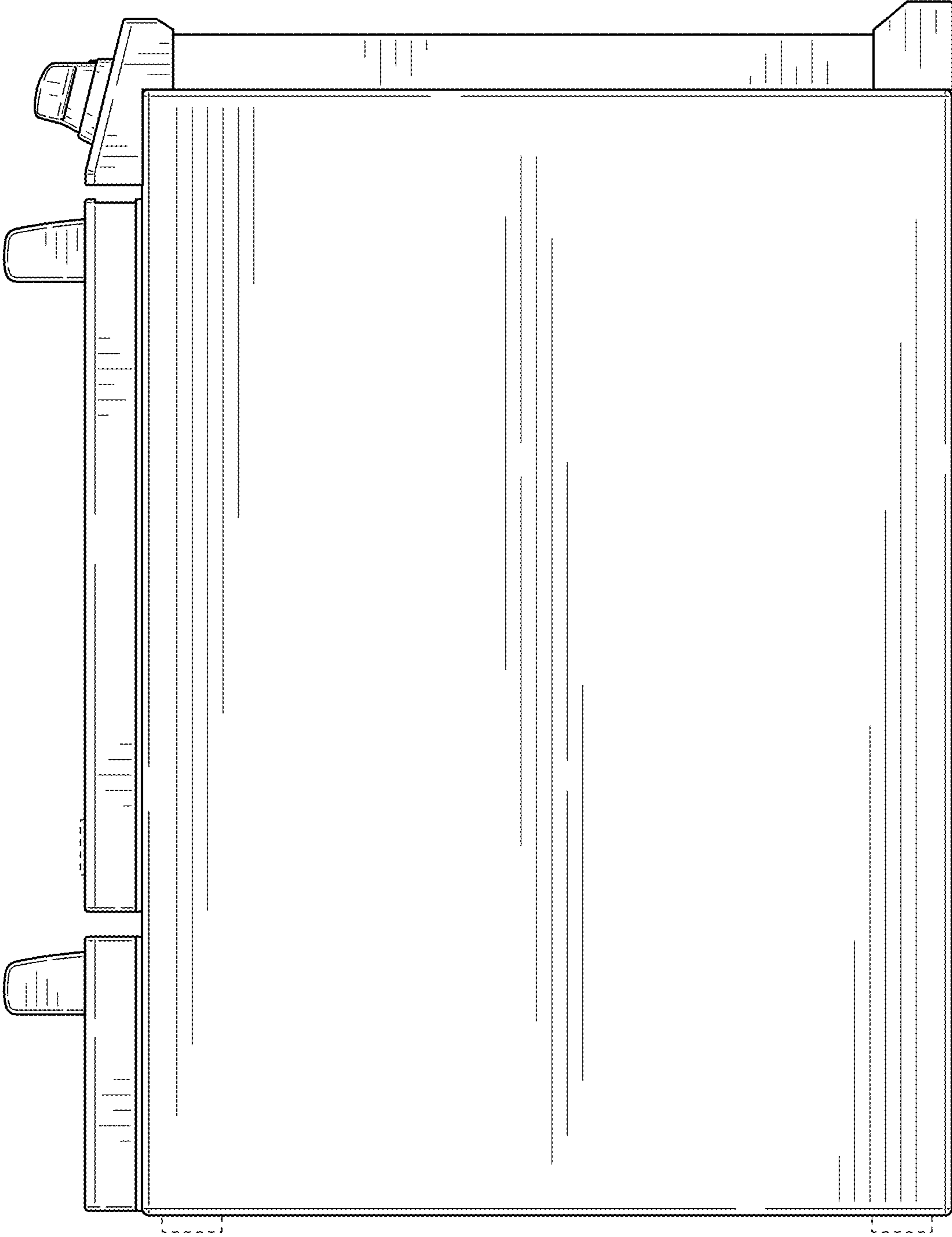


FIG.4

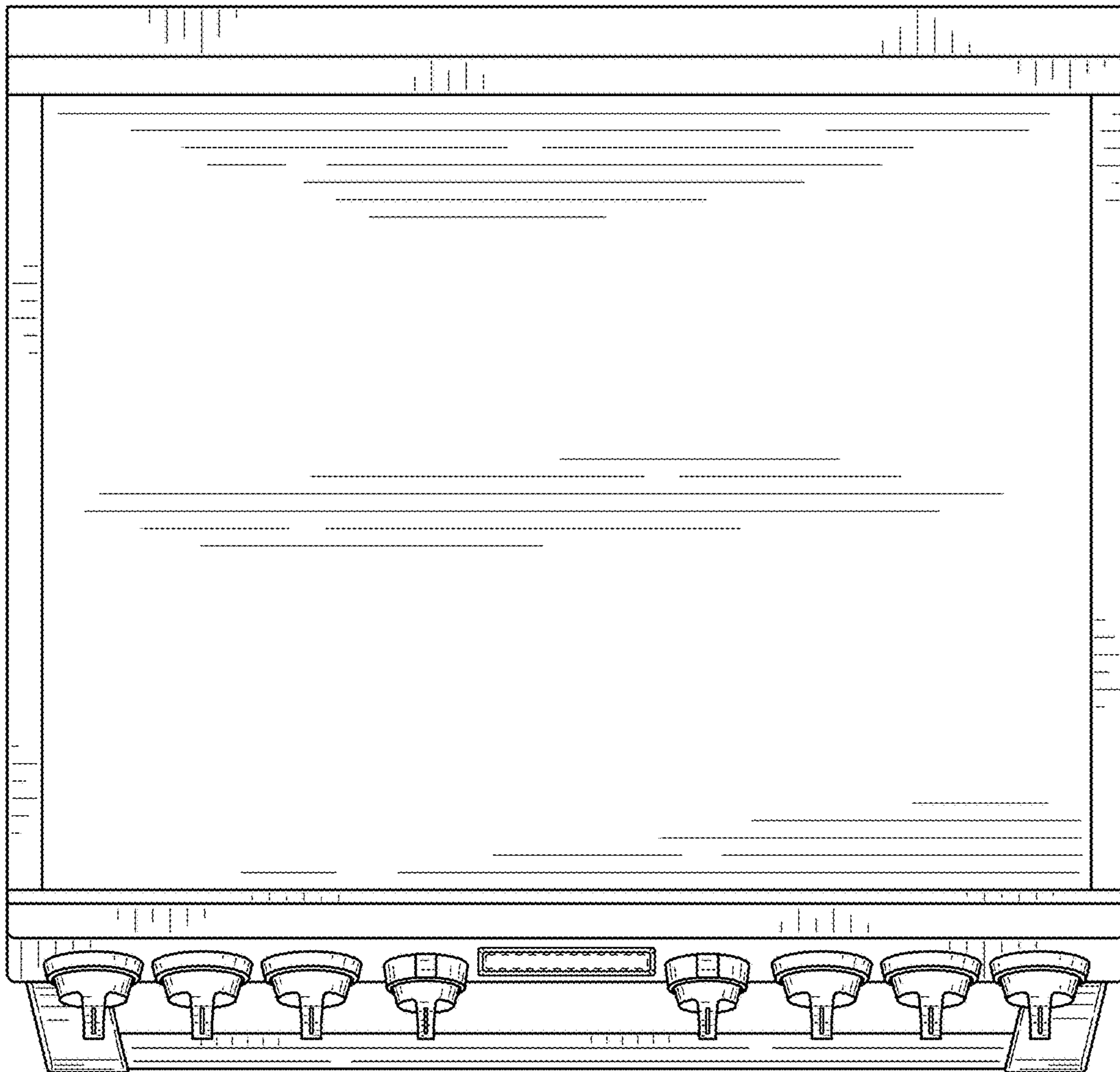


FIG.5

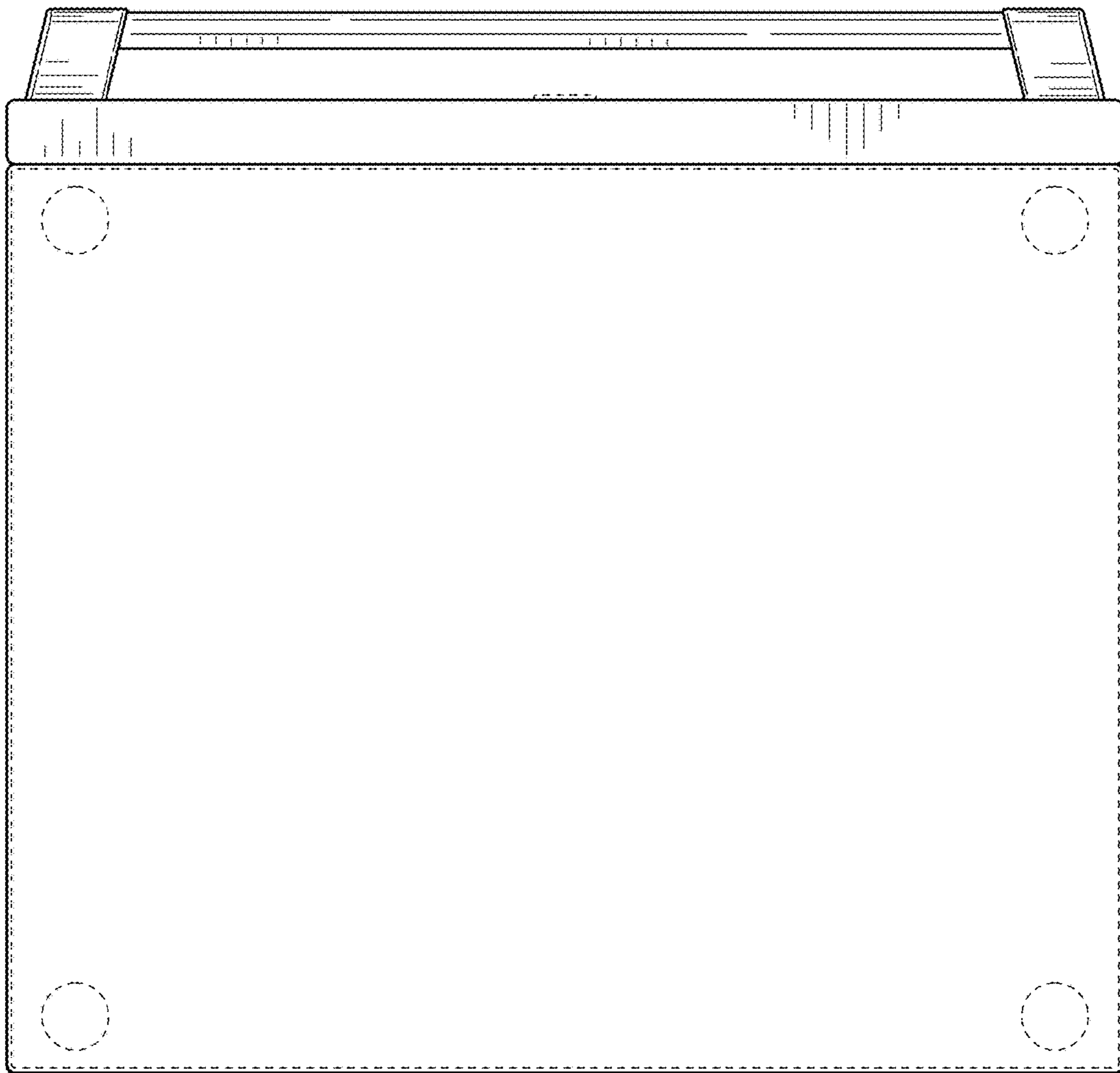


FIG.6