



US00D817065S

(12) **United States Design Patent** (10) **Patent No.:** **US D817,065 S**
Chen et al. (45) **Date of Patent:** **** May 8, 2018**

(54) **FRENCH PRESS**
(71) Applicant: **SHANGHAI SOLID STAINLESS STEEL PRODUCTS CO.,LTD.**,
Shanghai (CN)
(72) Inventors: **Yijun Chen**, Shanghai (CN); **Bin Zhang**, Shanghai (CN); **Xichao Zhu**,
Shanghai (CN)
(73) Assignee: **Shanghai Solid Stainless Steel Products Co., Ltd.** (CN)
(**) Term: **15 Years**
(21) Appl. No.: **29/603,905**
(22) Filed: **May 12, 2017**
(51) **LOC (11) Cl.** **07-01**
(52) **U.S. Cl.**
USPC **D7/318; D7/319**
(58) **Field of Classification Search**
USPC **D7/300, 312, 316-318, 393, 395, 396, D7/397, 399, 400, 598, 600; D9/435, D9/510, 549**
CPC **A47G 19/12; A47G 19/14; A47G 19/16; A47G 19/22; A47J 31/06; B01D 29/0095; B01D 29/0097**
See application file for complete search history.

D682,600 S * 5/2013 De Leo D7/317
D763,042 S * 8/2016 Shao D7/517
2017/0354278 A1* 12/2017 Silsby A47G 19/14

* cited by examiner
Primary Examiner — Daniel D Bui
Assistant Examiner — Andrew Kerr
(74) *Attorney, Agent, or Firm* — Justin W. McCabe; Dunkiel Saunders Elliot; Raubvogel & Hand PLLC

(57) **CLAIM**

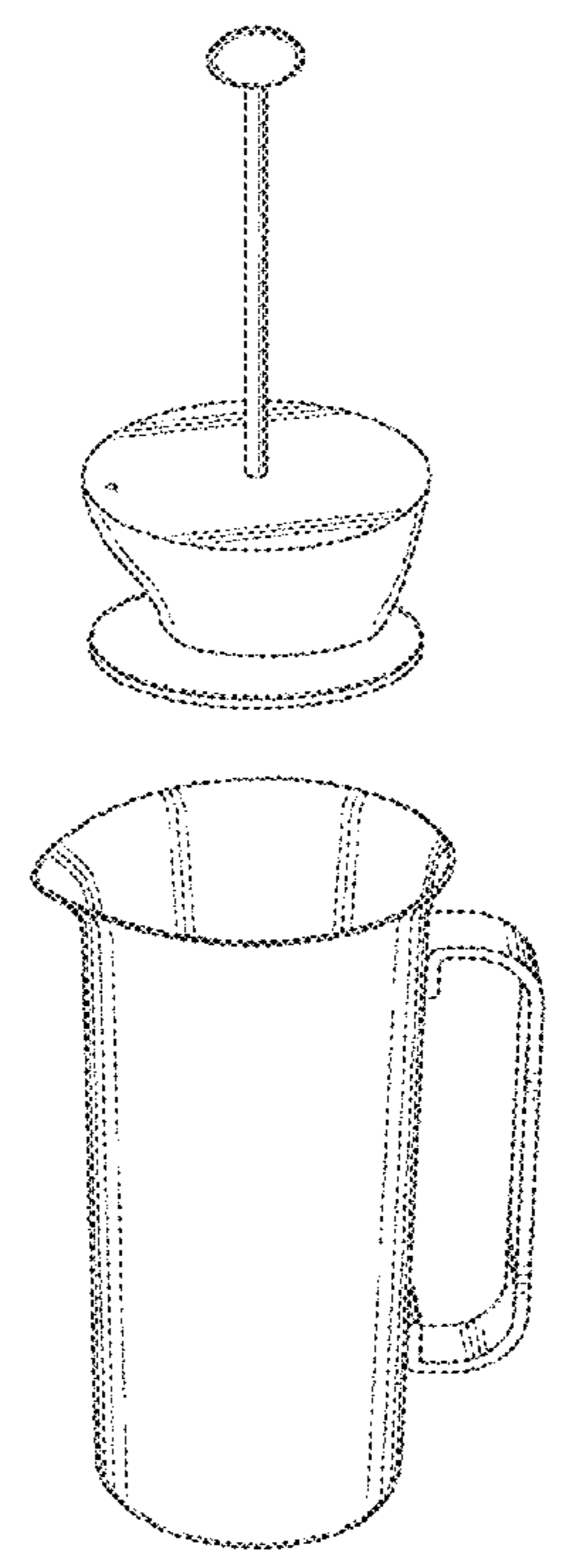
The ornamental design for a French press, as shown and described.

DESCRIPTION

FIG. 1 is a front elevation view of the design for the French press;
FIG. 2 is a rear elevation view thereof;
FIG. 3 is a left side elevation view thereof;
FIG. 4 is a right side elevation view thereof;
FIG. 5 is a top plan view thereof;
FIG. 6 is a bottom plan view thereof;
FIG. 7 is a perspective view thereof; and,
FIG. 8 is an exploded perspective view thereof.
The broken lines in the drawing views represent unclaimed portions of a French press, which are included for the purpose of illustrating unclaimed environment only, and forms no part of the claimed design.
The dash-dot broken lines in the drawing views define the bounds of the claimed design and form no part thereof.

(56) **References Cited**
U.S. PATENT DOCUMENTS
D584,559 S * 1/2009 Bodum D7/317
D663,155 S * 7/2012 Bodum D7/317

1 Claim, 7 Drawing Sheets



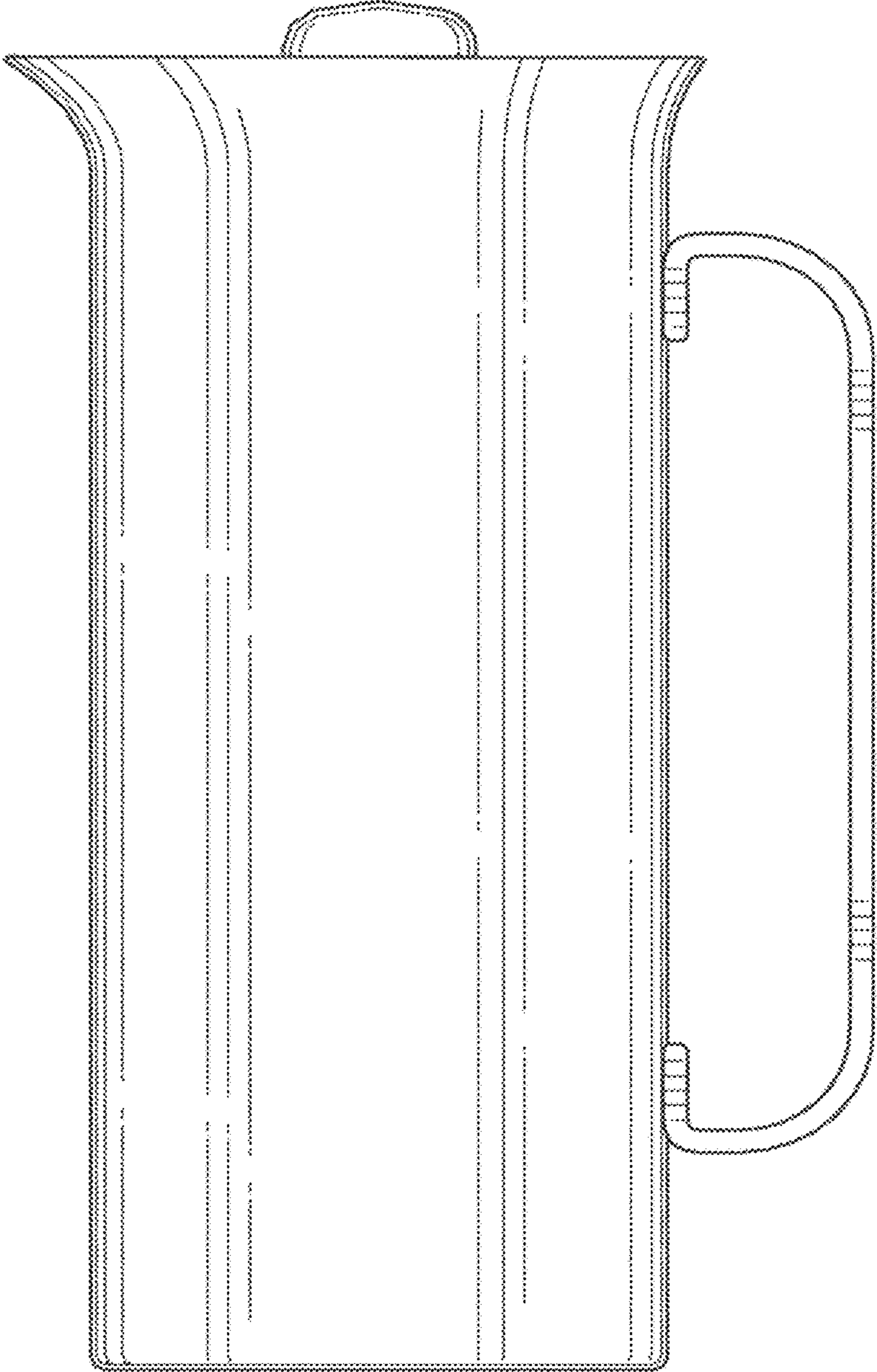


FIG. 1

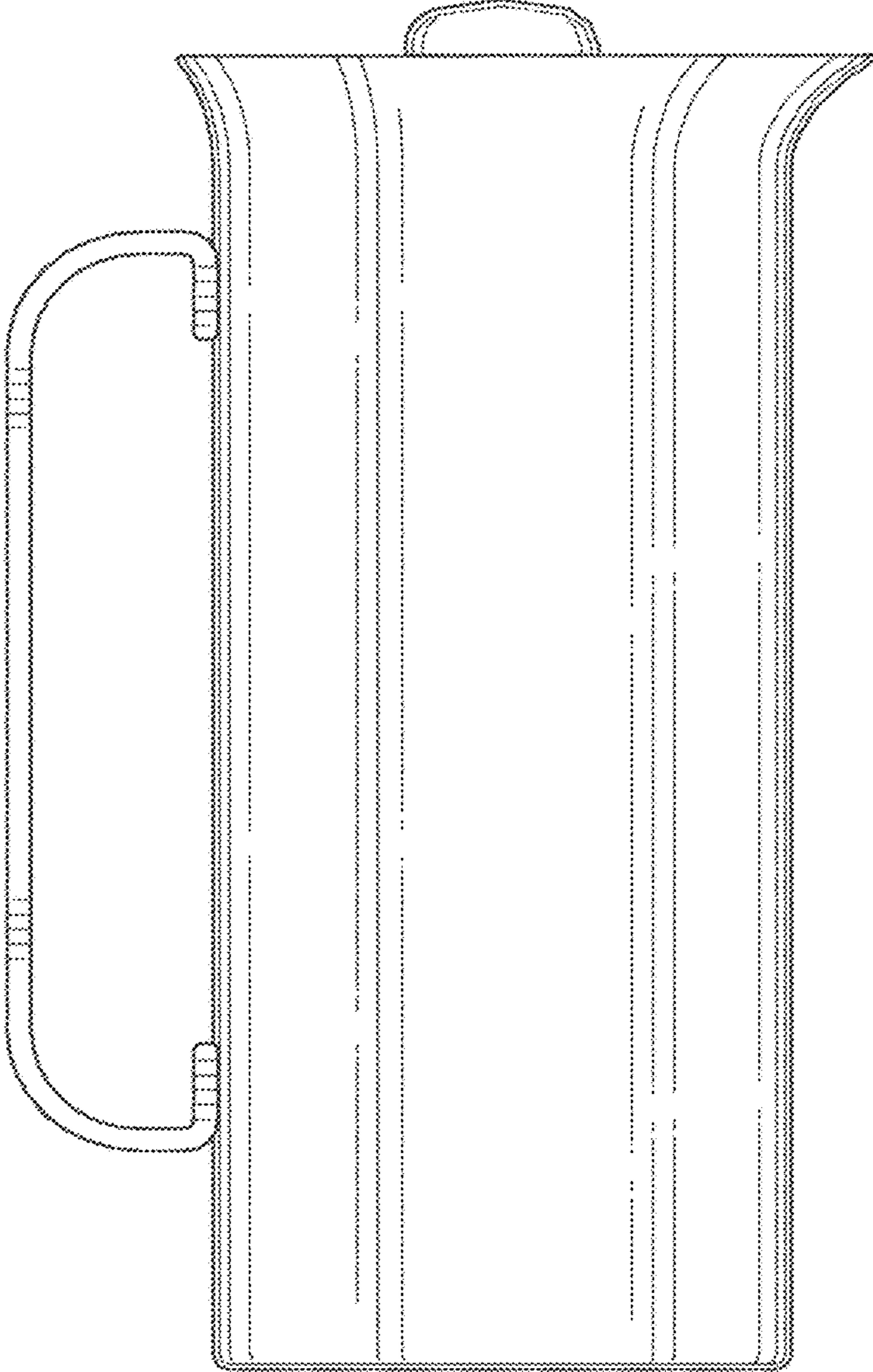


FIG. 2

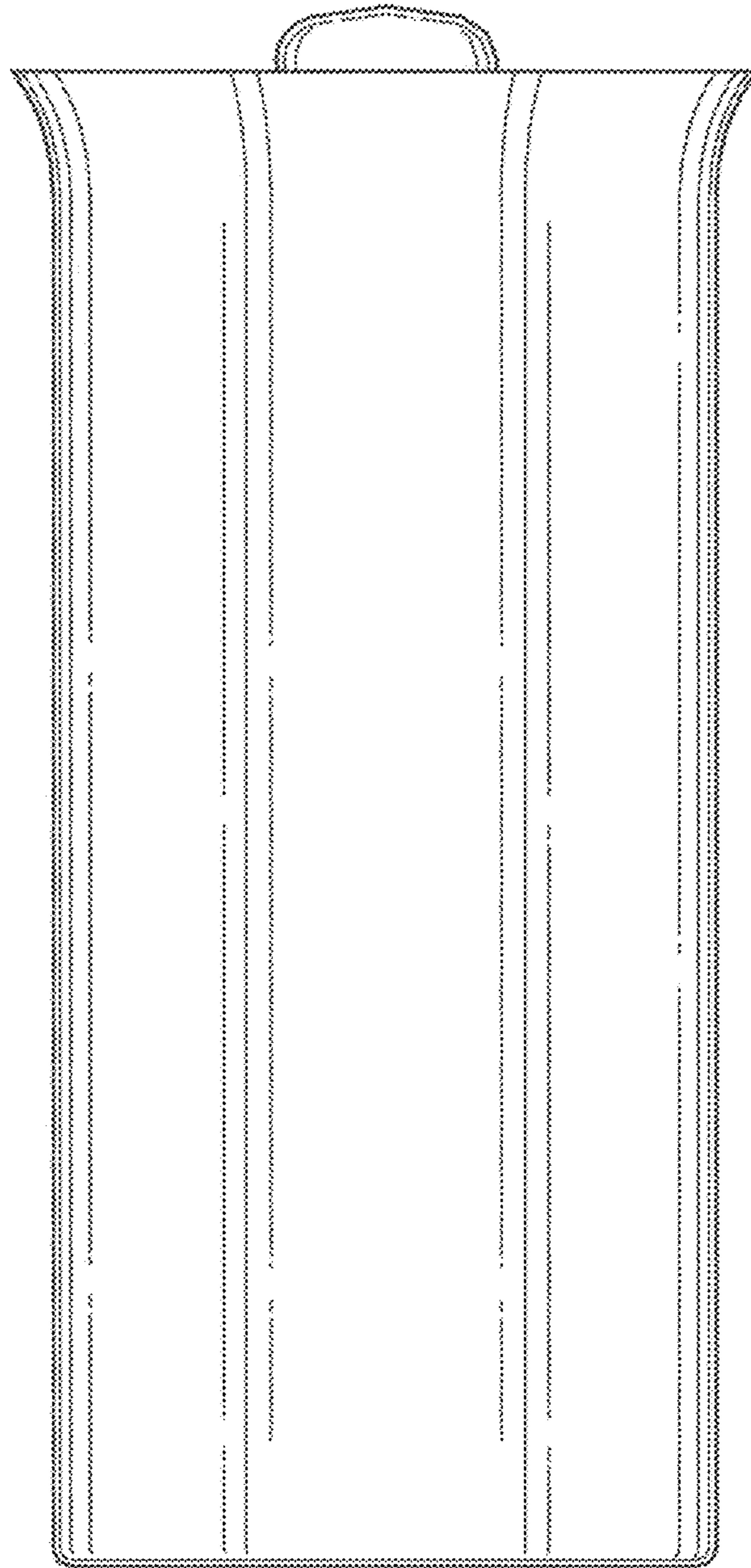


FIG. 3

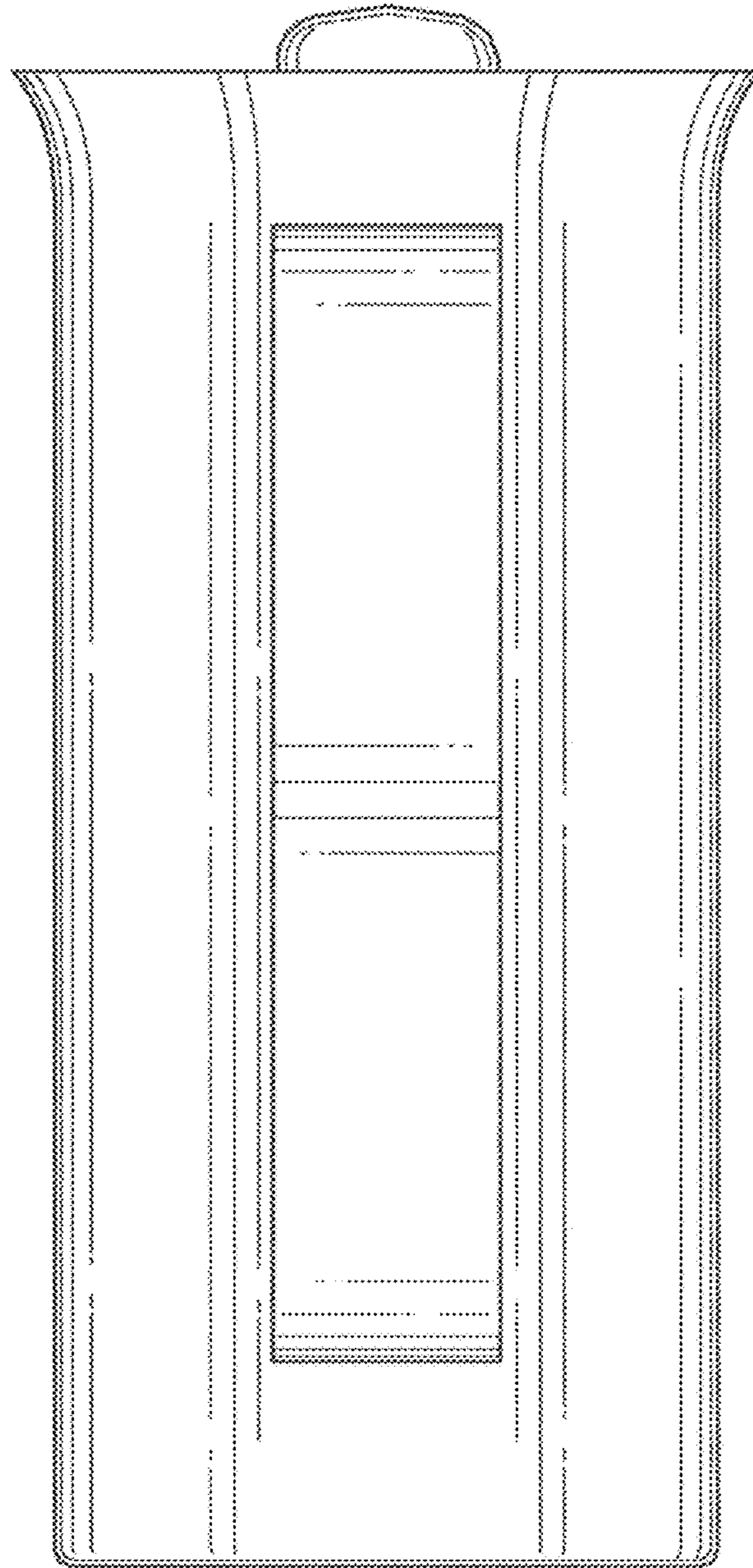


FIG. 4

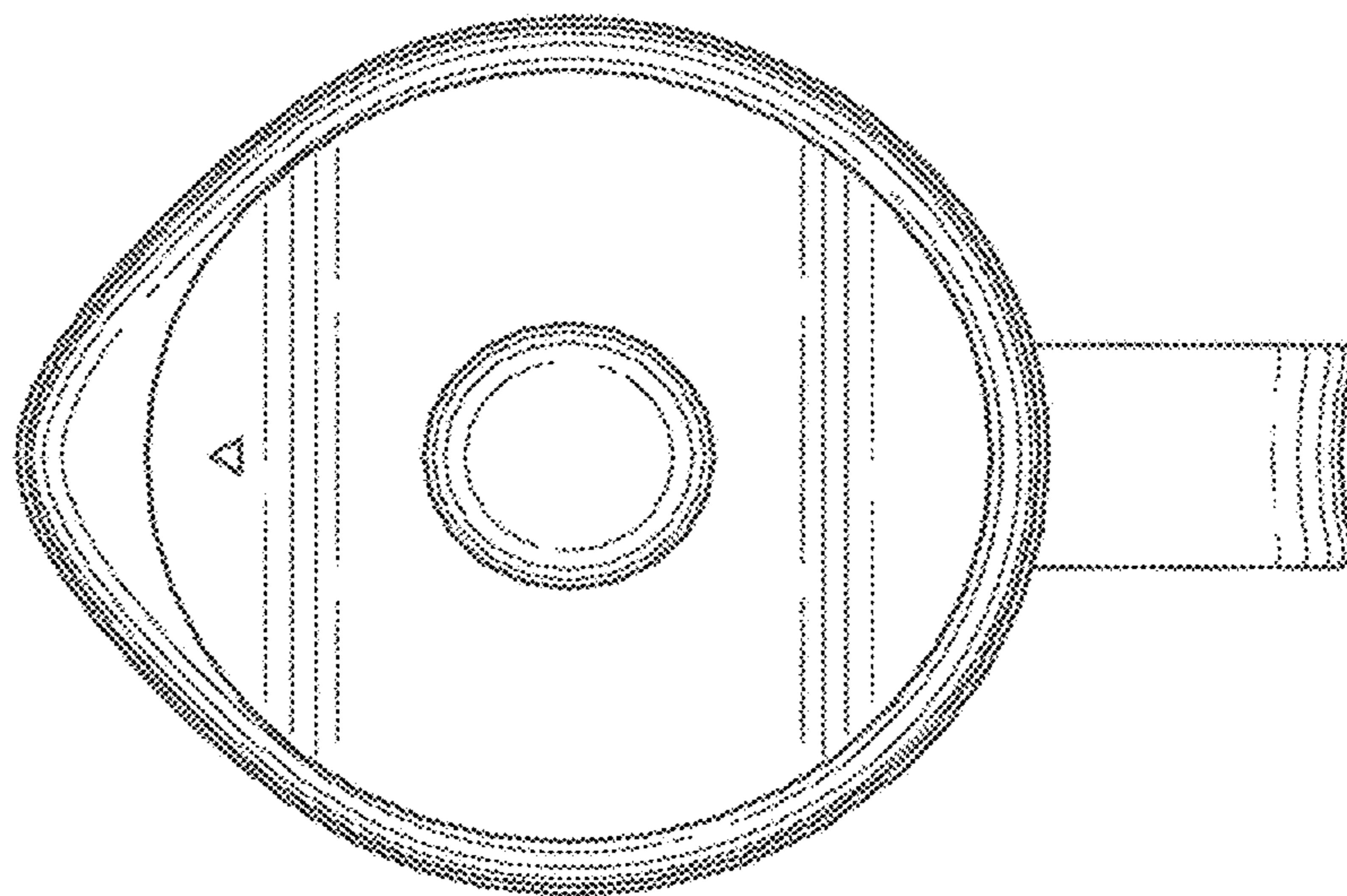


FIG. 5

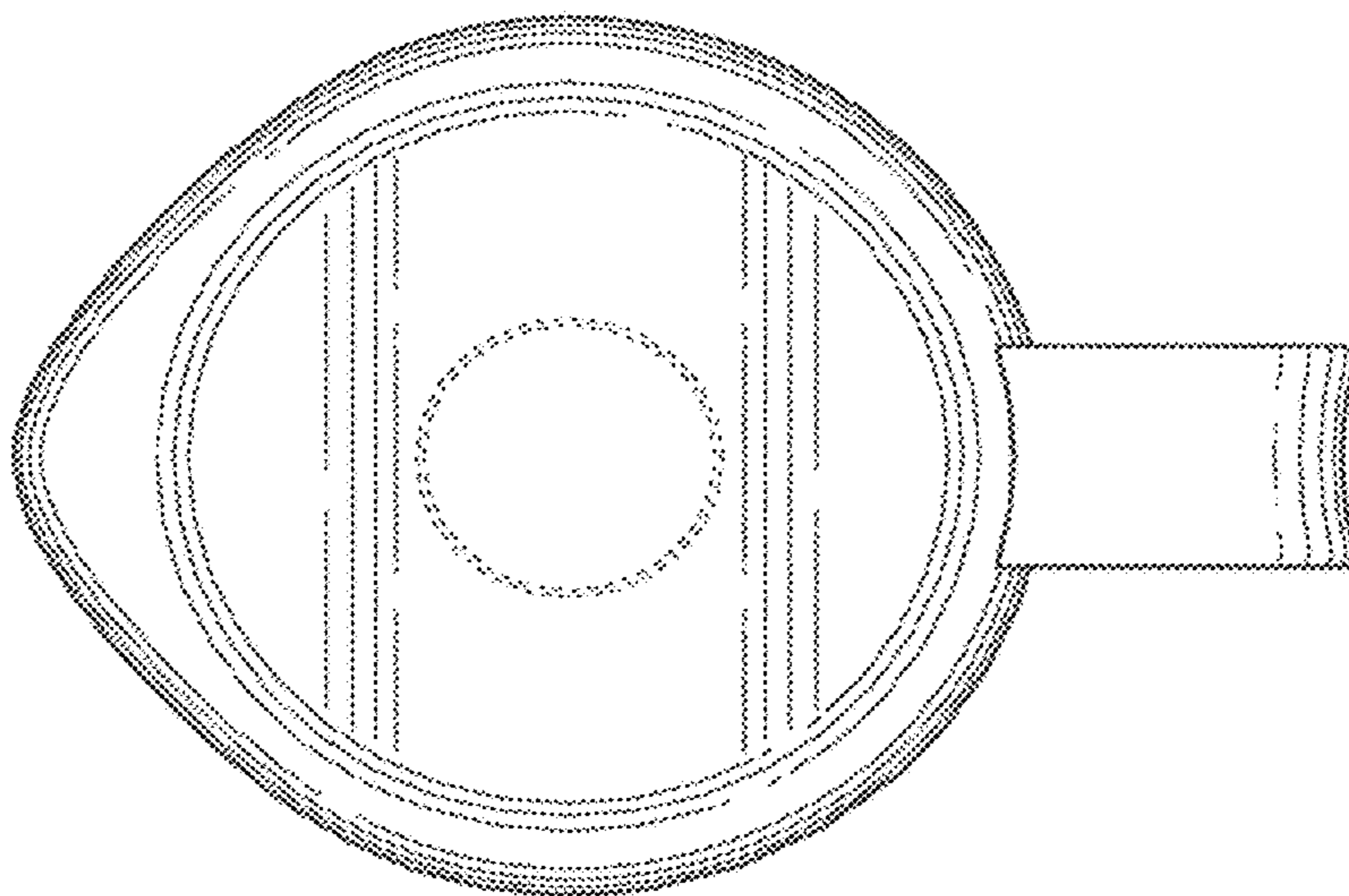


FIG. 6

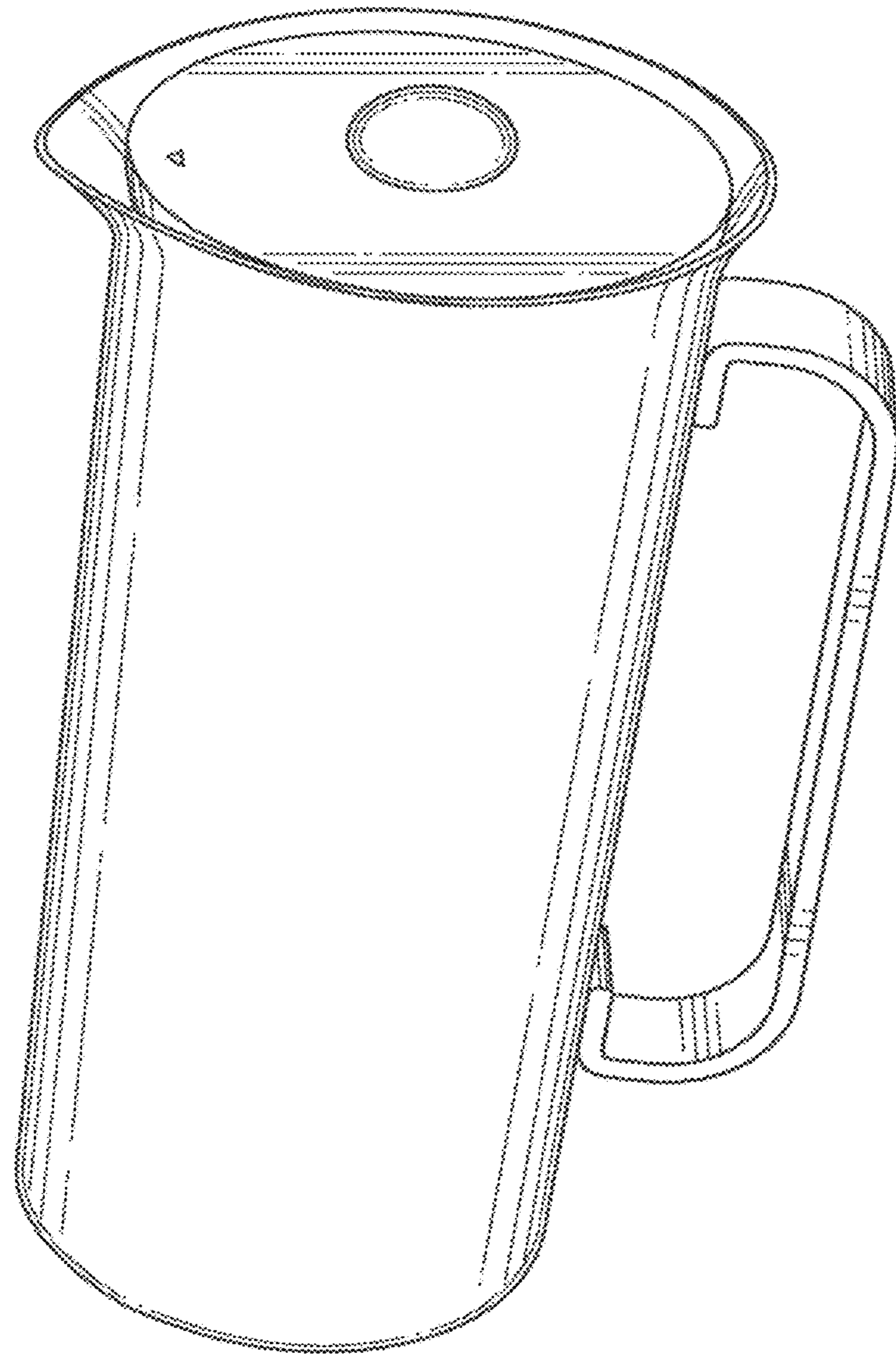


FIG. 7

