



US00D817064S

(12) **United States Design Patent** (10) **Patent No.:** **US D817,064 S**  
**Samartgis** (45) **Date of Patent:** **\*\* May 8, 2018**

(54) **JUG**  
(71) Applicant: **The Decor Corporation Pty Ltd.,**  
Scoresby (AU)

D788,530 S \* 6/2017 Kestenbaum ..... D7/509  
D790,900 S \* 7/2017 Karussi ..... D7/317  
2009/0294318 A1\* 12/2009 Monahan ..... B65D 25/56  
206/459.5

(72) Inventor: **Jim Samartgis,** Eltham (AU)  
(73) Assignee: **THE DECOR CORPORATION PTY LTD.** (AU)

OTHER PUBLICATIONS

JuglMeasuring Cupl posted at Amazon.com Jul. 8, 2015, © 1996-2017 Amazon.com,[site visited Oct. 24, 2017]. <URL: https://www.amazon.com/Home-Essentials-Beyond 9464 Measuring/dp/B00ADYF206/ref=sr\_1\_1?ie=UTF8&qid=1508852335&sr=8-1&keywords=home+essentials+measuring+cup> (Year: 2015).\*

(\*\*) Term: **15 Years**  
(21) Appl. No.: **29/594,610**

\* cited by examiner

(22) Filed: **Feb. 21, 2017**

*Primary Examiner* — Daniel D Bui  
*Assistant Examiner* — Andrew Kerr

(30) **Foreign Application Priority Data**

(74) *Attorney, Agent, or Firm* — Cook Alex Ltd.

Aug. 31, 2016 (AU) ..... 201614822

(51) **LOC (11) Cl.** ..... **07-01**

(57) **CLAIM**

The ornamental design for a jug, as shown and described.

(52) **U.S. Cl.**  
USPC ..... **D7/318; D7/300; D7/316**

**DESCRIPTION**

(58) **Field of Classification Search**  
USPC ..... D7/316–321, 378, 384, 598, 600, 619.1,  
D7/622; D9/544, 545, 548, 549  
CPC ..... A47J 31/00; A47G 19/22  
See application file for complete search history.

FIG. 1 is a front perspective view, from above, showing my new design;  
FIG. 2 is a rear perspective view, from below, of the claimed design;  
FIG. 3 is a front elevation view of the claimed design;  
FIG. 4 is a rear elevation view of the claimed design;  
FIG. 5 is a left-side elevation view of the claimed design;  
FIG. 6 is a right-side elevation view of the claimed design;  
FIG. 7 is a top plan view of the claimed design; and,  
FIG. 8 is a bottom plan view of the claimed design.

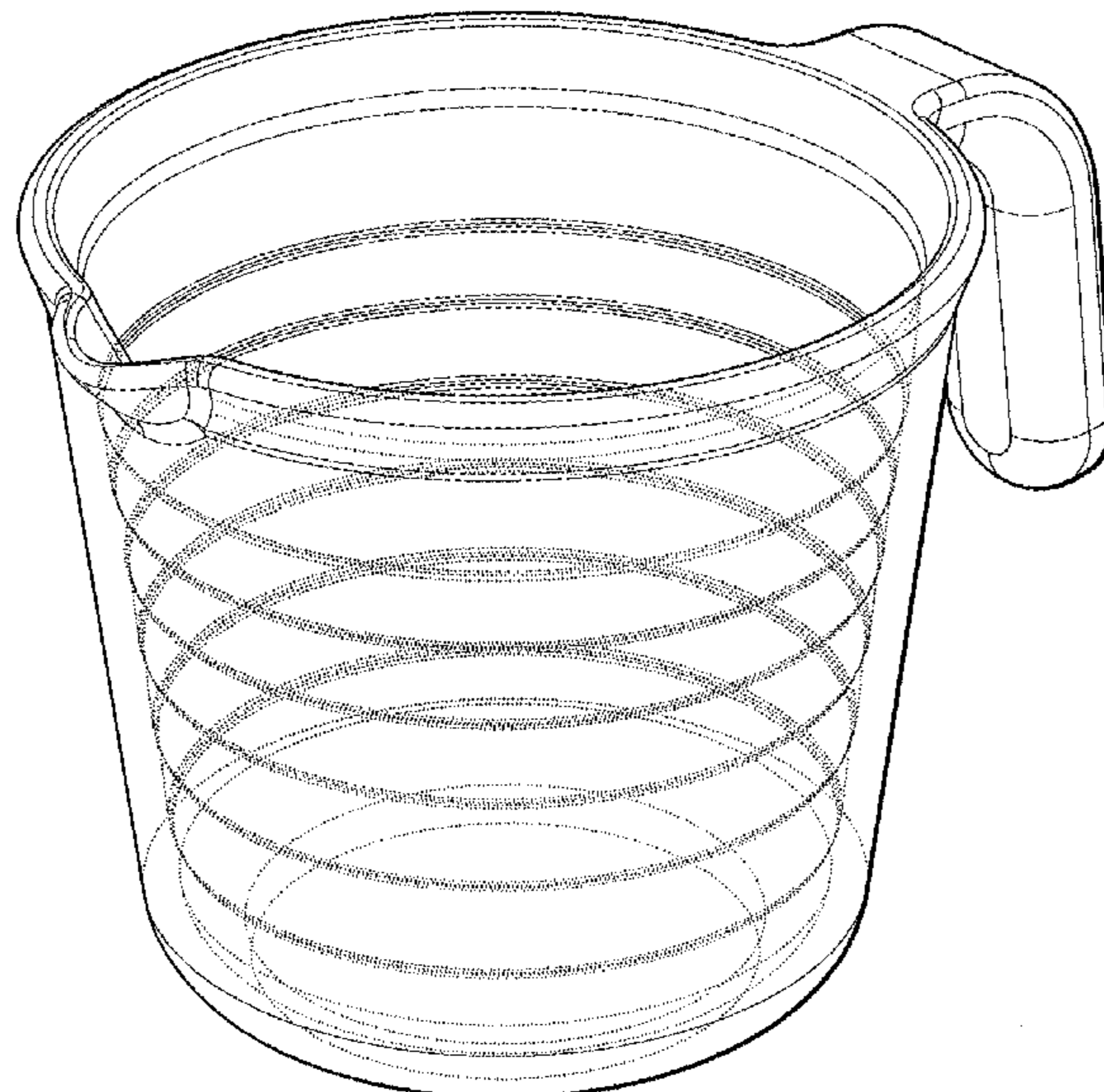
(56) **References Cited**

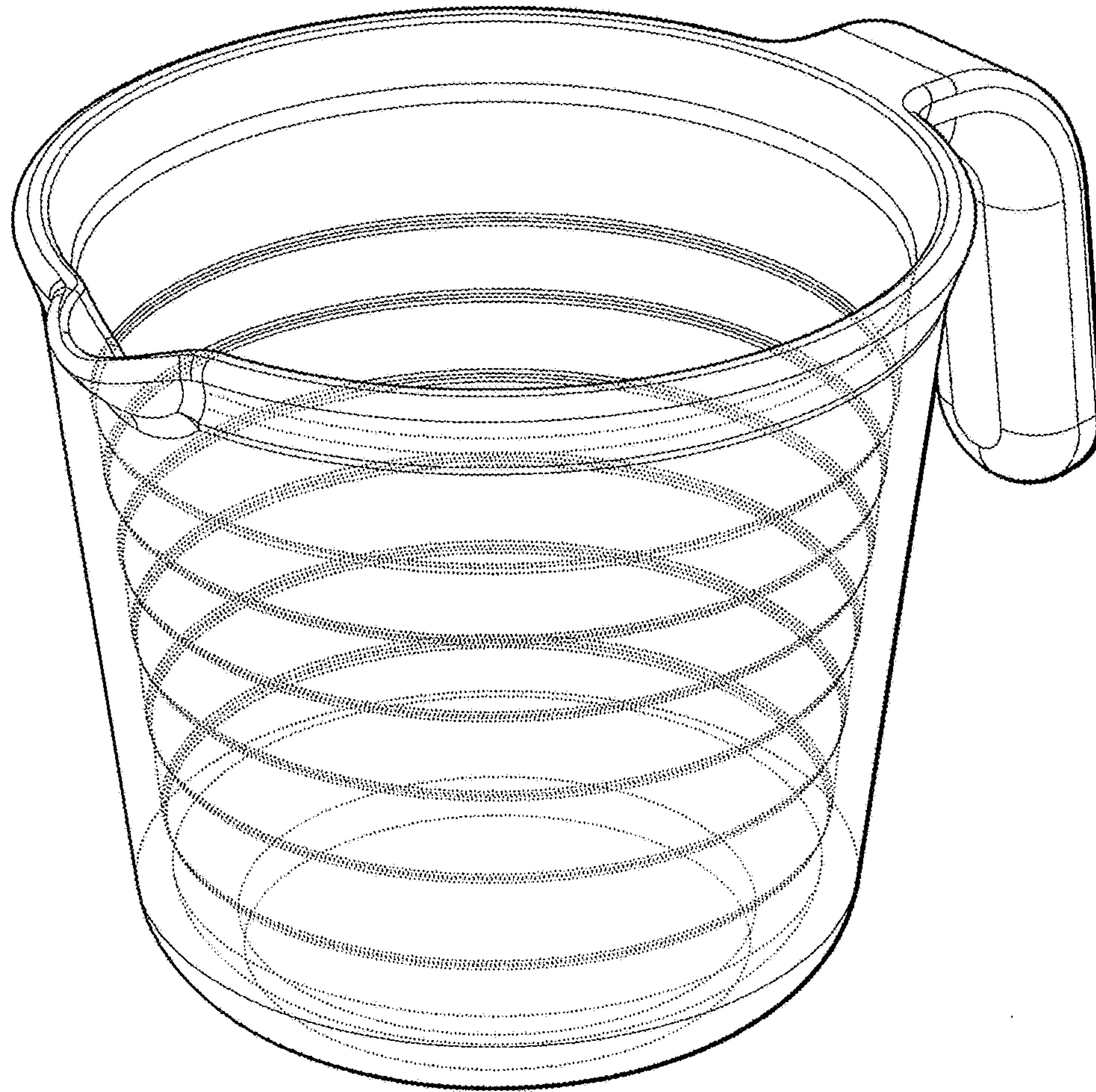
The dotted broken lines in the drawing views define features of the claimed design that are seen through a transparent/translucent material.

U.S. PATENT DOCUMENTS

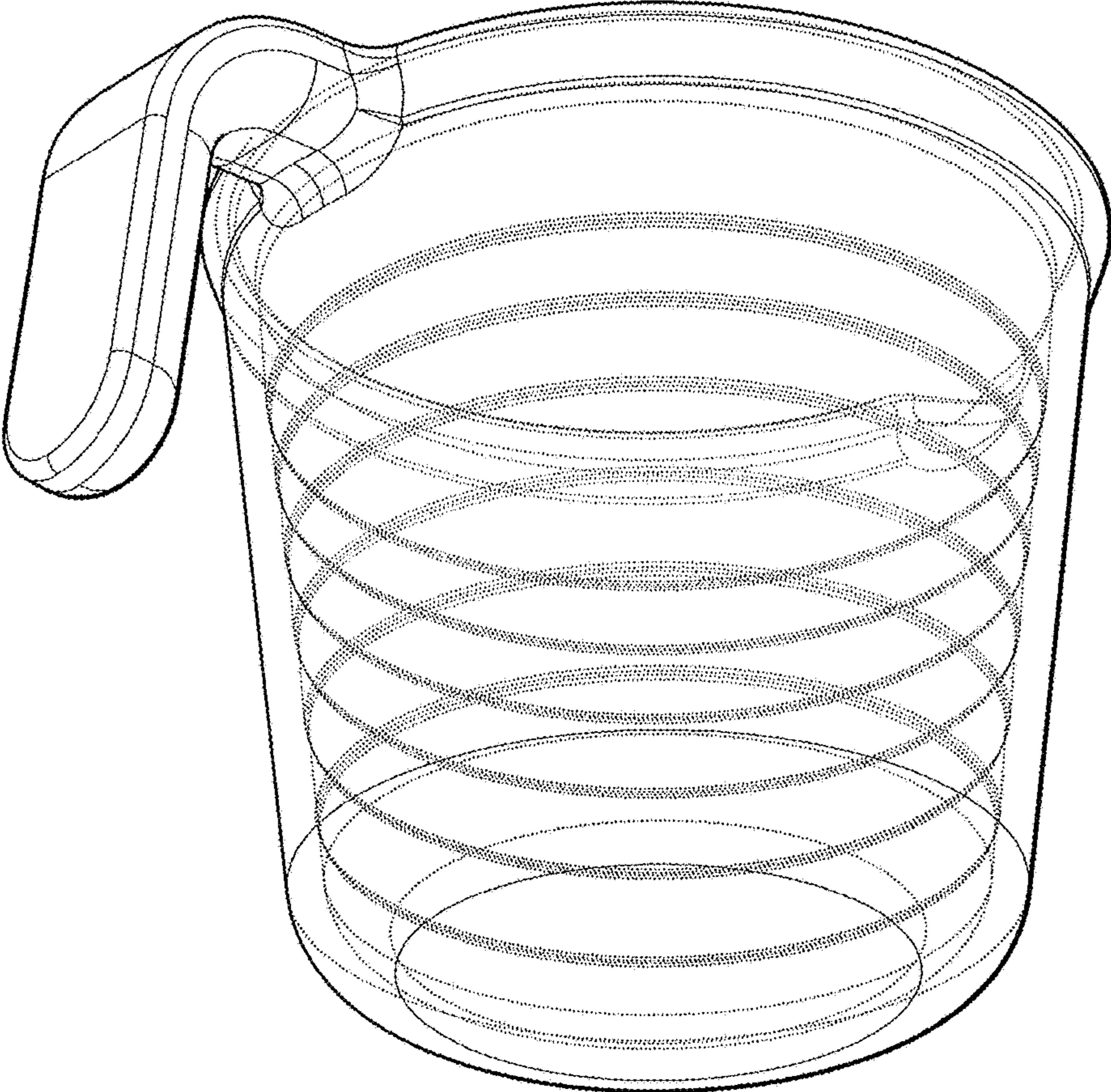
D321,623 S \* 11/1991 Sun ..... D7/317  
D461,420 S \* 8/2002 Kerman ..... D10/46.2  
D473,148 S \* 4/2003 Kleckauskas ..... D10/46.2  
D614,448 S \* 4/2010 Cahen ..... D7/523  
D698,200 S \* 1/2014 Lauwagie ..... D7/509  
D739,782 S \* 9/2015 Pettigrew ..... D11/152  
D743,209 S \* 11/2015 Maas ..... D7/523

**1 Claim, 8 Drawing Sheets**

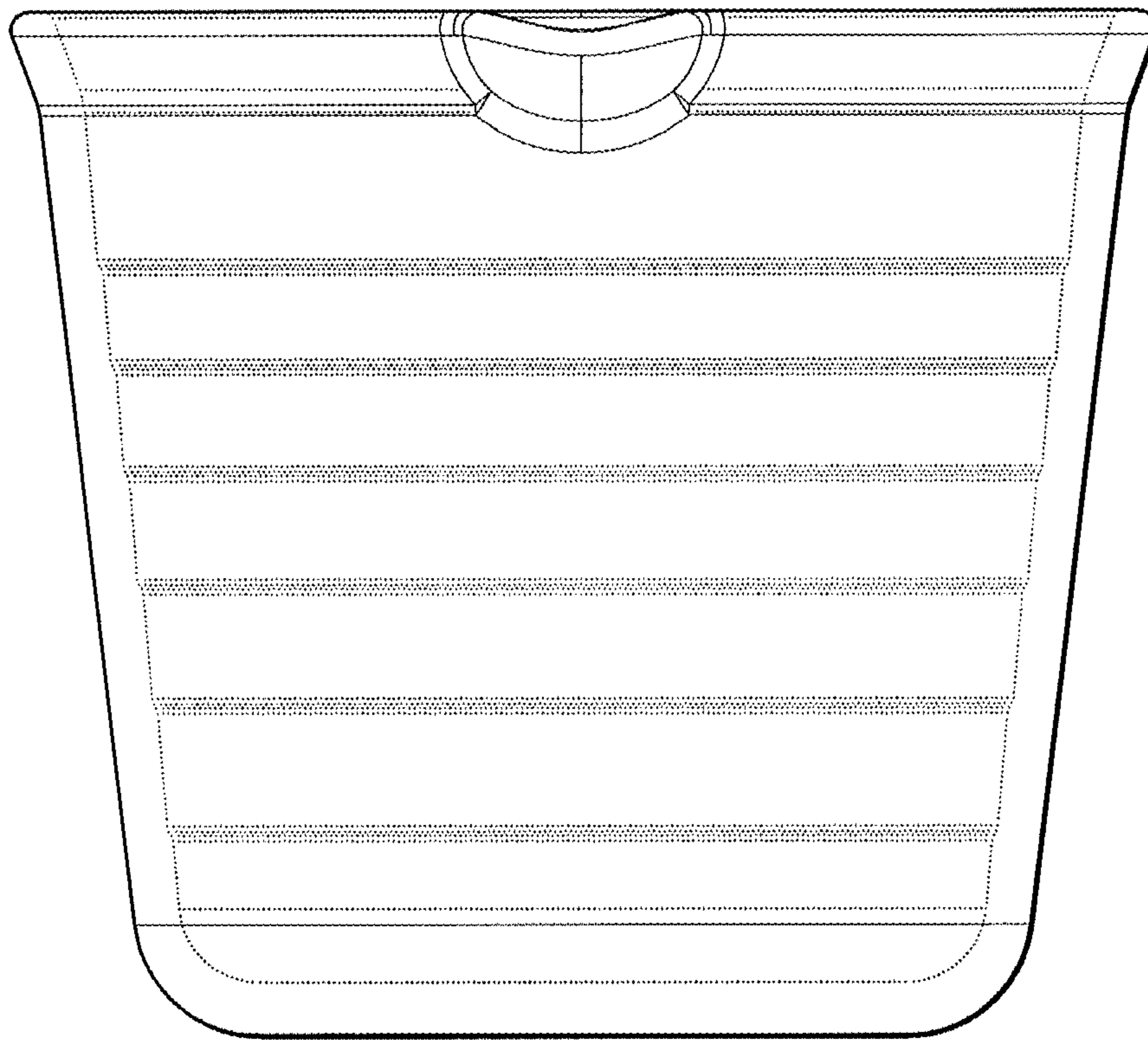




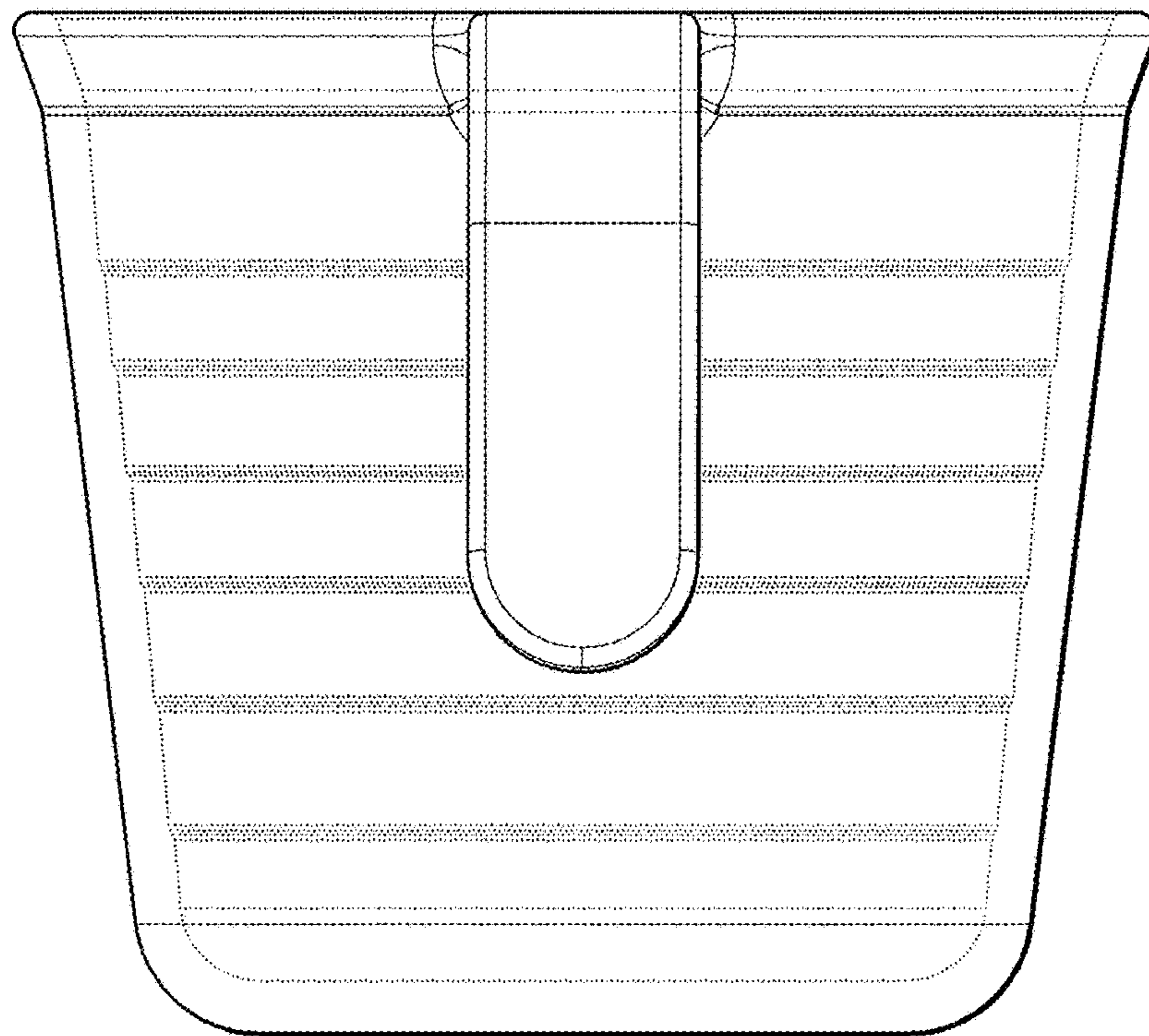
*Fig. 1*



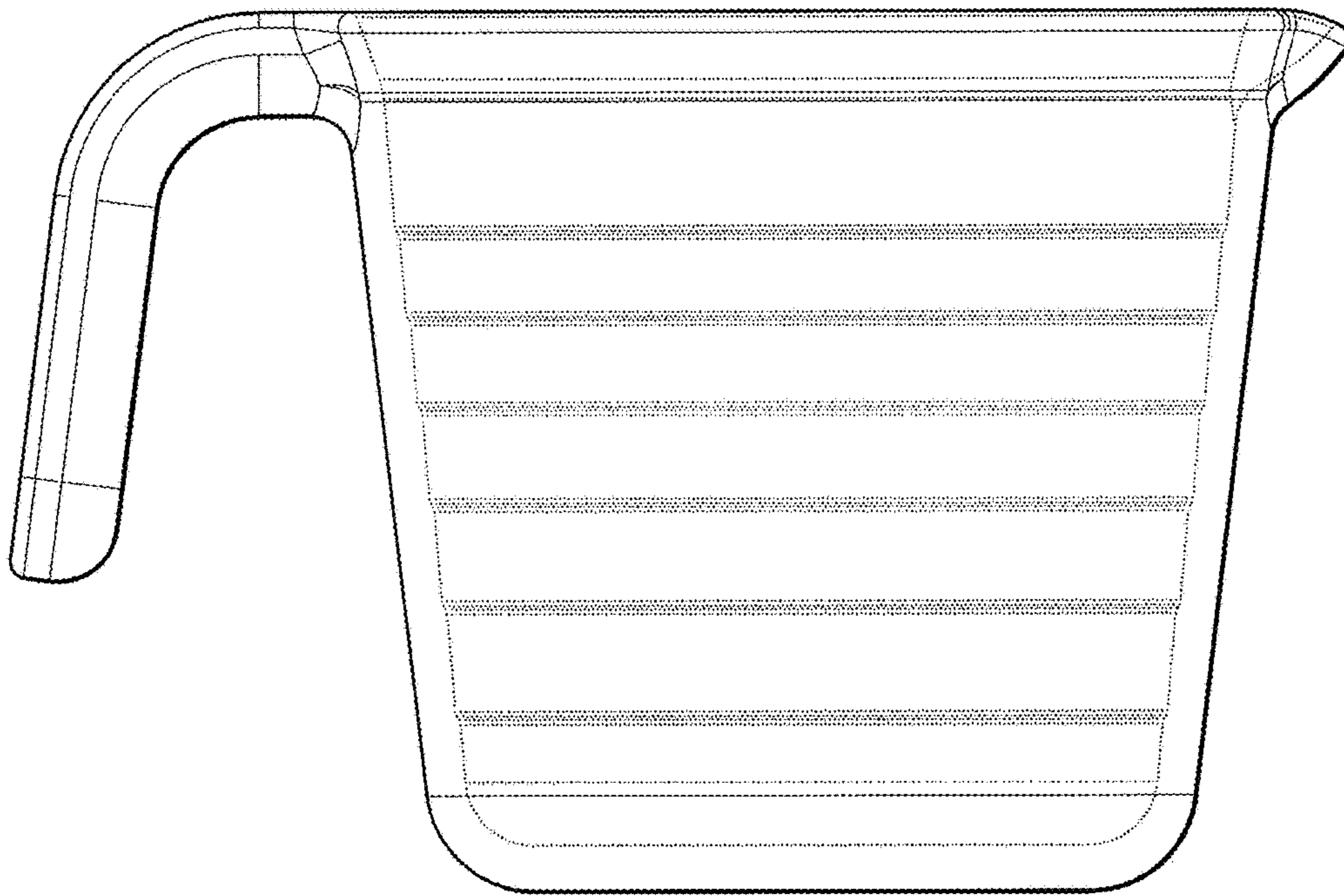
*Fig. 2*



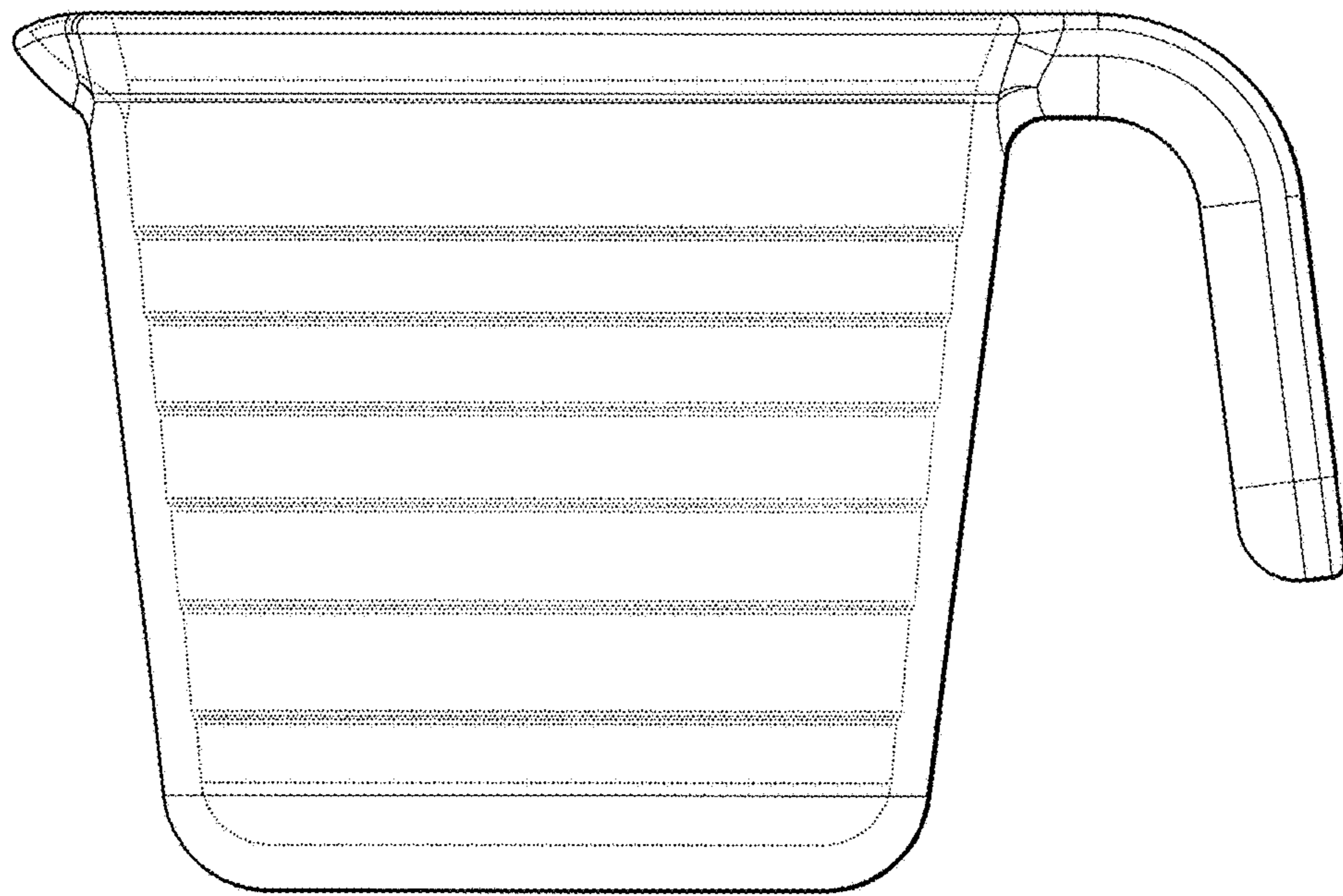
*Fig. 3*



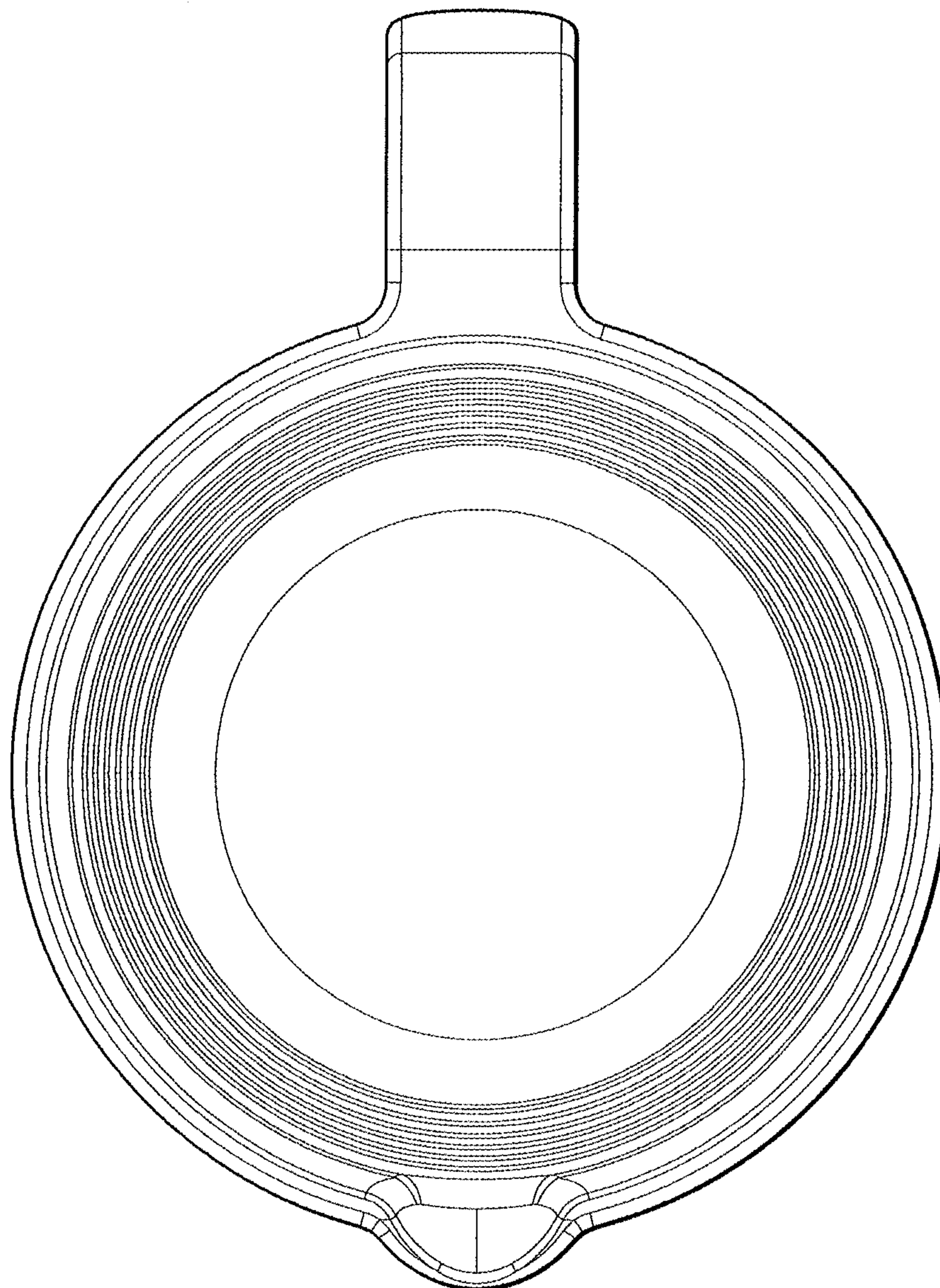
*Fig. 4*



*Fig. 5*

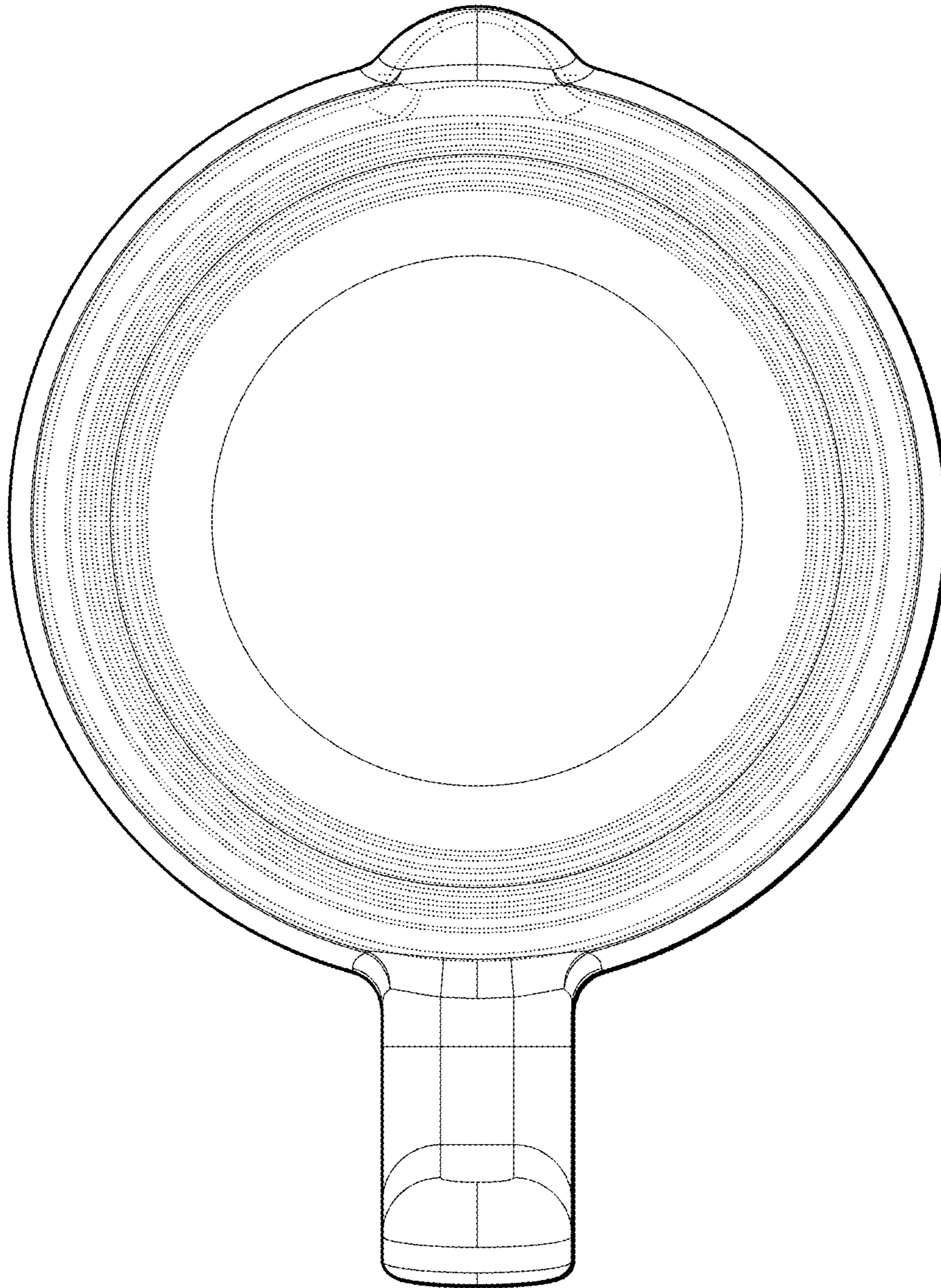


*Fig. 6*



*Fig. 7*





*Fig. 8*