



US00D817058S

(12) **United States Design Patent** (10) **Patent No.:** **US D817,058 S**
Newkirk et al. (45) **Date of Patent:** **** May 8, 2018**

- (54) **HEAD RAIL FOR PATIENT BED**
- (71) Applicant: **Hill-Rom Services, Inc.**, Batesville, IN (US)
- (72) Inventors: **David C. Newkirk**, Lawrenceburg, IN (US); **James L. Walke**, Batesville, IN (US)
- (73) Assignee: **Hill-Rom Services, Inc.**, Batesville, IN (US)
- (**) Term: **15 Years**
- (21) Appl. No.: **29/579,151**
- (22) Filed: **Sep. 28, 2016**

D229,381 S 11/1973 Benoit
 3,806,109 A 4/1974 Weber et al.
 3,905,591 A 9/1975 Schorr et al.
 3,932,903 A 1/1976 Adams et al.
 (Continued)

FOREIGN PATENT DOCUMENTS

WO WO 2006/058506 A1 6/2006

OTHER PUBLICATIONS

<http://www.arjohuntleigh.com/int/Product.asp?PageNumber=2571&ProductCategory.sub.--Id=128&Product.sub.--Id=202>,
 ArjoHuntleigh, Enterprise 8000 Hospital Bed, Date: No later than Apr. 28, 2009.

(Continued)

Primary Examiner — Cathron C Brooks
 (74) *Attorney, Agent, or Firm* — Barnes & Thornburg LLP

Related U.S. Application Data

- (63) Continuation of application No. 29/516,150, filed on Jan. 29, 2015, now Pat. No. Des. 770,829.
- (51) **LOC (11) Cl.** **06-06**
- (52) **U.S. Cl.**
USPC **D6/718.3**
- (58) **Field of Classification Search**
USPC D6/390, 391, 392, 718.3
CPC A61G 7/00; A61G 7/005; A61G 7/015;
A61G 7/0507; A61G 7/0513
See application file for complete search history.

(57) **CLAIM**

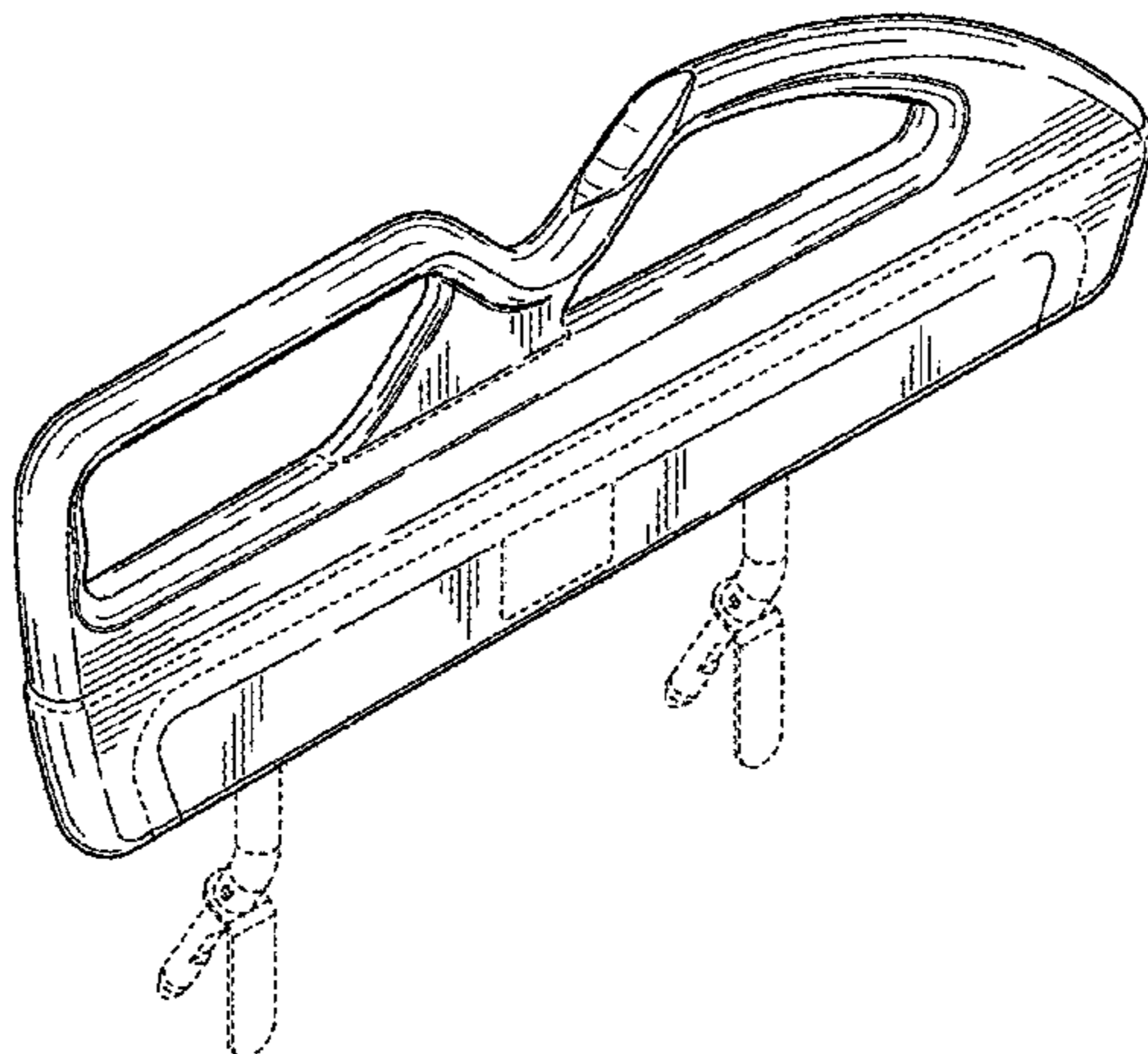
The ornamental design for a head rail for patient bed, as shown and described.

DESCRIPTION

FIG. 1 is a top front perspective view of a head rail for patient bed showing our new design;
 FIG. 2 is a front elevation view of the head rail of FIG. 1;
 FIG. 3 is a rear elevation view of the head rail of FIG. 1;
 FIG. 4 is an end elevation view of a first end of the head rail of FIG. 1;
 FIG. 5 is an end elevation view of a second end of the head rail of FIG. 1;
 FIG. 6 is a top plan view of the head rail of FIG. 1; and,
 FIG. 7 is a bottom plan view of the head rail of FIG. 1.
 The broken lines shown in the figures depict environmental subject matter and portions that form no part of the claimed design.

1 Claim, 3 Drawing Sheets

- (56) **References Cited**
U.S. PATENT DOCUMENTS
- | | | |
|-------------|---------|----------------|
| 421,656 A | 2/1890 | Blanken |
| 1,700,338 A | 1/1929 | Scoggins |
| 2,136,088 A | 11/1938 | Stevens |
| D158,433 S | 5/1950 | Bevelacqua |
| 2,587,291 A | 2/1952 | Rochers |
| 2,722,017 A | 11/1955 | Burst et al. |
| 2,747,919 A | 5/1956 | Ferneau et al. |
| 3,018,492 A | 1/1962 | Rosen |
| 3,321,779 A | 5/1967 | Kaufman et al. |
| 3,506,989 A | 4/1970 | Ross et al. |
| 3,585,659 A | 6/1971 | Burst et al. |



(56)

References Cited

U.S. PATENT DOCUMENTS

D240,867 S	8/1976	Blumberg	6,058,531 A	5/2000	Carroll	
D248,406 S	7/1978	Hodge	6,073,289 A	6/2000	Bolden et al.	
D249,359 S	9/1978	Stott et al.	6,141,806 A	11/2000	Bobey et al.	
4,183,015 A	1/1980	Drew et al.	D436,474 S	1/2001	Morren	
4,186,456 A	2/1980	Huempfner	6,185,767 B1	2/2001	Brooke et al.	
4,214,326 A	7/1980	Spann	6,240,580 B1	6/2001	Hamilton et al.	
4,215,446 A	8/1980	Mahoney	6,240,583 B1	6/2001	Brooke et al.	
D272,395 S	1/1984	Sonder et al.	6,363,552 B1	4/2002	Hornbach et al.	
4,439,880 A	4/1984	Koncelik et al.	6,389,622 B1	5/2002	Her	
4,592,104 A	6/1986	Foster et al.	D458,481 S	6/2002	Brooke	
4,646,211 A	2/1987	Gallant et al.	D459,119 S	6/2002	Brooke	
4,653,129 A	3/1987	Kuck et al.	D463,179 S	9/2002	Brooke	
D289,951 S	5/1987	Goodwin	D479,070 S *	9/2003	Goodwin	A61G 7/0507 D6/718.3
4,676,687 A	6/1987	Koffler	6,622,364 B2	9/2003	Hamilton et al.	
4,724,555 A	2/1988	Poehner et al.	6,640,360 B2	11/2003	Hornbach et al.	
D295,892 S	5/1988	Feldt	D488,941 S	4/2004	Lemire et al.	
4,745,647 A	5/1988	Goodwin	D488,942 S	4/2004	Lemire et al.	
4,811,435 A	3/1989	Foster et al.	6,721,975 B1	4/2004	Lemire	
D300,657 S	4/1989	Simpkins et al.	6,779,209 B2	8/2004	Ganance	
4,827,545 A	5/1989	Arp	6,951,036 B2	10/2005	Lemire	
D301,411 S	6/1989	Schlapp	7,073,220 B2	7/2006	Simmonds et al.	
4,847,929 A	7/1989	Pupovic	7,076,818 B2	7/2006	Kummer et al.	
D304,614 S	11/1989	Guttormsen	7,107,637 B2	9/2006	Kuck et al.	
4,912,787 A	4/1990	Bradovich	7,150,058 B2	12/2006	Rabska	
4,935,968 A	6/1990	Hunt et al.	D553,382 S	10/2007	Hayes et al.	
4,985,946 A	1/1991	Foster et al.	7,296,312 B2	11/2007	Menkedick	
4,998,939 A	3/1991	Potthast et al.	7,406,731 B2	8/2008	Menkedick	
5,023,967 A	6/1991	Ferrand	D583,954 S	12/2008	Genelli	
5,035,014 A	7/1991	Blanchard	7,487,558 B2	2/2009	Risk, Jr. et al.	
5,072,463 A	12/1991	Willis	D604,421 S	11/2009	Albrecht et al.	
5,072,906 A	12/1991	Foster	D604,422 S	11/2009	Albrecht et al.	
5,077,843 A	1/1992	Dale et al.	7,644,457 B2	1/2010	Hensley	
5,083,334 A	1/1992	Huck et al.	7,712,166 B2	5/2010	Stryker et al.	
5,084,925 A	2/1992	Cook	D616,678 S	6/2010	Heimbrock et al.	
5,117,521 A	6/1992	Foster et al.	D616,679 S	6/2010	Heimbrock et al.	
5,121,513 A	6/1992	Thomas et al.	D617,586 S *	6/2010	Heimbrock	D6/718.3
5,129,117 A	7/1992	Celestina et al.	D617,587 S	6/2010	Heimbrock et al.	
5,179,744 A	1/1993	Foster et al.	D617,588 S *	6/2010	Heimbrock	D6/718.3
5,195,200 A	3/1993	Leoutsakos	D617,589 S	6/2010	Heimbrock et al.	
D336,577 S	6/1993	Celestina et al.	7,761,939 B2 *	7/2010	Wiggins	A61G 7/0507 5/424
D336,578 S	6/1993	Celestina	7,784,125 B2	8/2010	Morin et al.	
5,216,768 A	6/1993	Bodine et al.	D627,985 S	11/2010	Salus	
5,269,030 A	12/1993	Pahno et al.	D628,416 S *	12/2010	Heimbrock	D6/718.3
5,269,388 A	12/1993	Reichow et al.	7,895,689 B2	3/2011	Hayes et al.	
D344,802 S	3/1994	Kuck et al.	7,930,778 B2	4/2011	Wu et al.	
5,299,338 A	4/1994	Foster	D637,018 S *	5/2011	Heimbrock	D6/718.3
5,317,769 A	6/1994	Weismiller et al.	D637,019 S *	5/2011	Heimbrock	D6/718.3
5,337,430 A	8/1994	Schlein	D637,020 S *	5/2011	Heimbrock	D6/718.3
5,337,845 A	8/1994	Foster et al.	7,962,979 B1	6/2011	Hime	
D351,742 S	10/1994	Phleps et al.	D640,887 S *	7/2011	Heimbrock	D6/718.3
5,370,111 A	12/1994	Reeder et al.	7,971,291 B2	7/2011	Stryker et al.	
5,377,371 A	1/1995	Foster	7,986,242 B2	7/2011	Dixon et al.	
5,381,571 A	1/1995	Gabhart	8,143,846 B2	3/2012	Herman et al.	
5,394,581 A	3/1995	Leoutsakos	D656,762 S	4/2012	Fejt	
5,396,673 A	3/1995	Foster	8,205,280 B2	6/2012	Hensley et al.	
5,398,357 A	3/1995	Foster	8,266,741 B2	9/2012	Penninger et al.	
5,398,359 A	3/1995	Foster	8,296,884 B2	10/2012	Heimbrock	
5,454,126 A	10/1995	Foster et al.	8,341,777 B2	1/2013	Hensley et al.	
5,455,975 A	10/1995	Foster	8,341,778 B2	1/2013	Heimbrock	
5,461,673 A	10/1995	Coons	8,341,778 B2	1/2013	Heimbrock	
5,479,666 A	1/1996	Foster et al.	8,381,337 B2	2/2013	Zerhusen et al.	
5,481,772 A	1/1996	Glynn et al.	8,387,179 B2	3/2013	Metz et al.	
5,513,406 A	5/1996	Foster et al.	8,413,270 B2	4/2013	Turner et al.	
5,542,138 A	8/1996	Williams et al.	D707,480 S	6/2014	Heimbrock	
5,577,277 A	11/1996	Sundberg et al.	D707,483 S	6/2014	Heimbrock	
5,586,346 A	12/1996	Stacy et al.	D710,507 S	8/2014	Leng et al.	
5,623,736 A	4/1997	Soltani et al.	D710,509 S	8/2014	Leng et al.	
5,682,631 A	11/1997	Weismiller et al.	D710,510 S	8/2014	Leng et al.	
5,689,839 A	11/1997	Laganiere et al.	D770,829 S *	11/2016	Newkirk	D6/718.3
5,732,423 A	3/1998	Weismiller et al.	2002/0002742 A1	1/2002	Osborne et al.	
5,774,914 A	7/1998	Johnson et al.	2004/0177443 A1	9/2004	Simmonds	
5,781,945 A	7/1998	Scherer et al.	2005/0172405 A1	8/2005	Menkedick et al.	
5,802,636 A	9/1998	Corbin et al.	2006/0038098 A1	2/2006	Metz	
5,906,017 A	5/1999	Ferrand et al.	2006/0059621 A1	3/2006	Poulos	
6,021,533 A	2/2000	Ellis et al.	2006/0075560 A1	4/2006	Osborne et al.	
			2006/0168729 A1	8/2006	Weismiller et al.	
			2007/0050910 A1	3/2007	Blanchard et al.	
			2007/0130692 A1	6/2007	Lemire et al.	

(56)

References Cited

U.S. PATENT DOCUMENTS

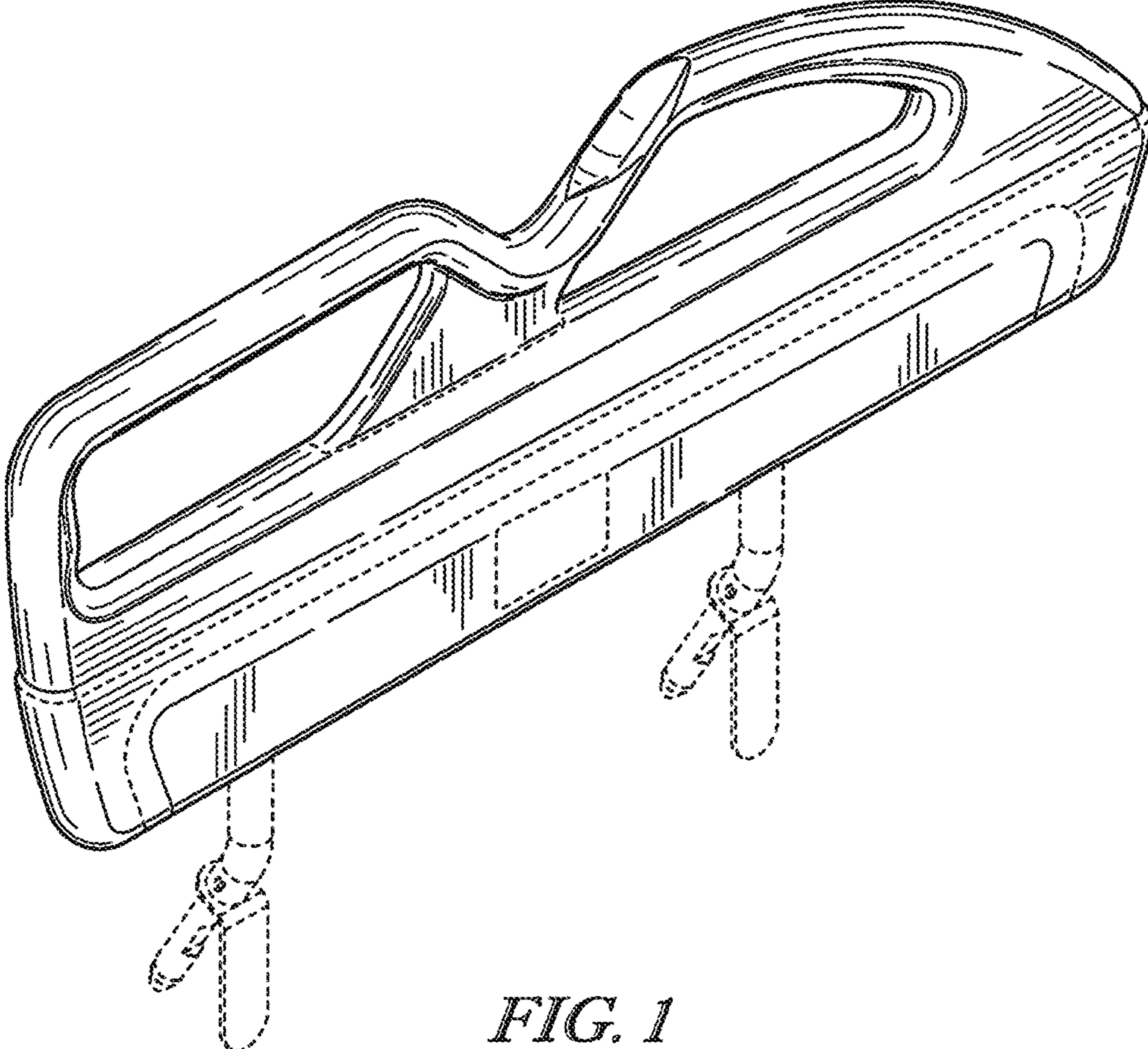
2007/0163043 A1 7/2007 Lemire et al.
 2007/0169268 A1 7/2007 Lemire et al.
 2007/0174965 A1 8/2007 Lemire et al.
 2007/0294828 A1 12/2007 Hornbach et al.
 2008/0005838 A1 1/2008 Wan Fong et al.
 2009/0031498 A1 2/2009 Girard et al.
 2009/0119839 A1 5/2009 Guguin
 2009/0188731 A1 7/2009 Zerhusen et al.
 2009/0229049 A1 9/2009 Heimbrock
 2009/0229050 A1 9/2009 Heimbrock
 2011/0010851 A1* 1/2011 Zerhusen A61G 7/0507
 5/425
 2011/0010861 A1* 1/2011 Heimbrock A61G 7/015
 5/618
 2011/0191957 A1 8/2011 Hornbach et al.
 2011/0214234 A1 9/2011 Herman
 2011/0231996 A1 9/2011 Lemire et al.
 2011/0258779 A1 10/2011 Derenne et al.
 2011/0277242 A1 11/2011 Dionne et al.
 2012/0151678 A1 6/2012 Richards
 2013/0019405 A1 1/2013 Flanagan et al.
 2016/0367419 A1* 12/2016 Bhai A61G 7/015

OTHER PUBLICATIONS

[http://www.arjohuntleigh.com/int/Product.asp?pagenumber=2571
 &Product.sub.--Id=291&ProductCategory.sub.--Id=128,](http://www.arjohuntleigh.com/int/Product.asp?pagenumber=2571&Product.sub.--Id=291&ProductCategory.sub.--Id=128)
 ArjoHuntleigh, Enterprise 9000 Hospital Bed, Date: No later than
 Apr. 28, 2009.
[http://www.arjohuntleigh.com/int/ProductDetails.asp-
 ?PageNumber=2571&ProductCategory.sub.--Id=128&Product.
 sub.--Id=291,](http://www.arjohuntleigh.com/int/ProductDetails.asp-?PageNumber=2571&ProductCategory.sub.--Id=128&Product.sub.--Id=291) ArjoHuntleigh, Enterprise 9000—Product Details—
 Nurse Handset, Date: No later than Apr. 28, 2009.
[http://www.arjohuntleigh.com/int/ProductDetails.asp-
 ?PageNumber=2571&ProductCategory.sub.--Id=128](http://www.arjohuntleigh.com/int/ProductDetails.asp-?PageNumber=2571&ProductCategory.sub.--Id=128)

&Productsub.—Id=291, ArjoHuntleigh, Enterprise 9000—Product
 Details—Plug in controls allow for easy changes, Date: No later
 than Apr. 28, 2009.
 Photo # 1297 (Hill-Rom Clinitron Rite-Hite), Date: No later than
 Feb. 14, 2009.
 Photo # 1299 (Hill-Rom 1000), Date: No later than Feb. 14, 2009.
 Photo # 1304 (Hill-Rom Efica CC), Date: No later than Dec. 1994.
 Photo # 1305 (Hill-Rom Clinitron Elexis), Date: No later than Dec.
 1993.
 Photo # 1306 (Hill-Rom Clinitron Elexis), Date: No later than Dec.
 1993.
 Photo # 1307 (Hill-Rom Affinity), Date: No later than Feb. 14, 2009.
 Photo # 1309 (Hill-Rom Clinitron), Date: No later than Feb. 14,
 2009.
 Med/Surg “Go Bed +”; 2 page product brochure; Stryker Medical,
 copyright Jan. 2002.
 No. 21-75 Grouping/Early American finished in No. 28 Maple,
 Hill-Rom, 1962, 1 page.
 No. 16-75 Grouping/Italian Provincial finished in No. 69 Cathedral
 Oak, Hill-Rom, 1962, 1 page.
 No. 2101-1 Grouping/Early American finished in No. 28 Maple,
 Hill-Rom, 1962, 1 page.
 The Advance 2000® Bed from Hill-Rom, Hill-Rom 1993, 18 pages.
 A Hill-Rom Solution Affinity II Bed, Hill-Rom 1996, 6 pages.
 Affinity® Three Birthing Bed, Hill-Rom Services, Inc. 2000, 2
 pages.
 TotalCare® Connect Bed and TotalCare® Bed, Options and Acces-
 sories, Hill-Rom Services, Inc. 2008, 8 pages.
 Hill-Rom® Med-Surg Beds Traction Catalog Part Descriptions and
 Ordering Information, Hill-Rom Services, Inc. 2007, 12 pages.
 User Manual TotalCare® Bed System from Hill-Rom, Product No.
 P1900-00, Hill-Rom Services, Inc. 2000, 64 pages.
 A Hill-Rom Solution Totalcare Bed System, Hill-Rom 1998, 8
 pages.

* cited by examiner



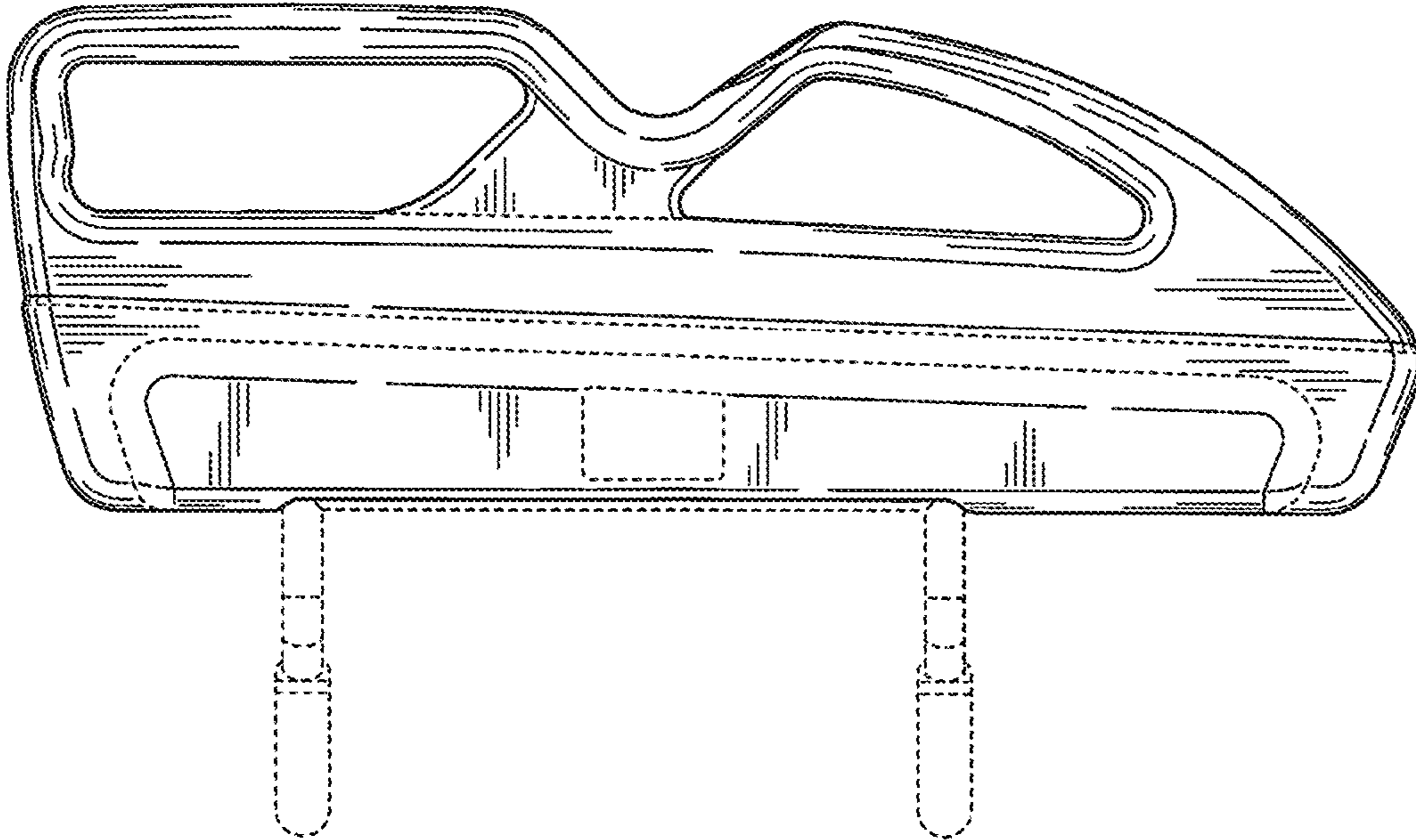


FIG. 2

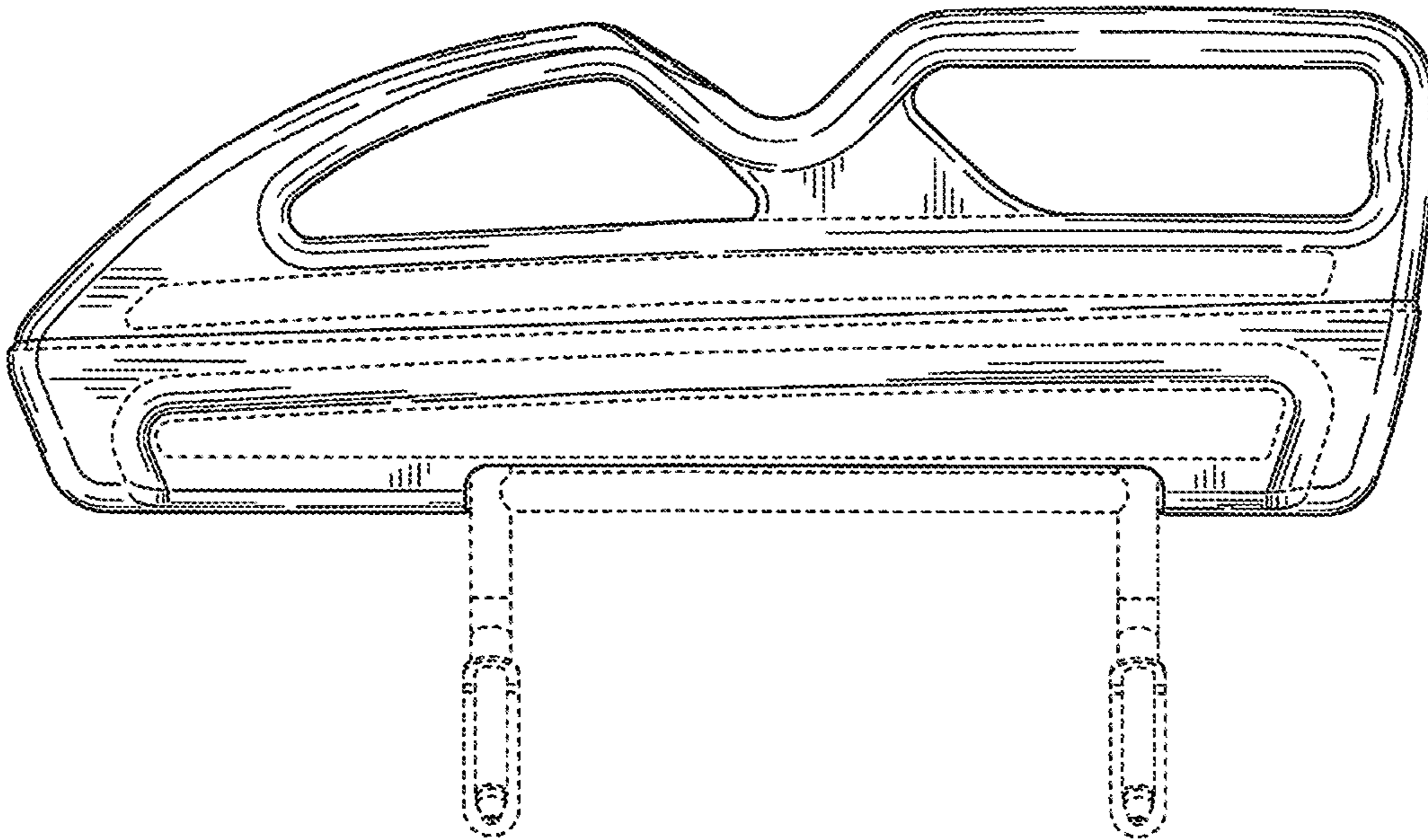


FIG. 3

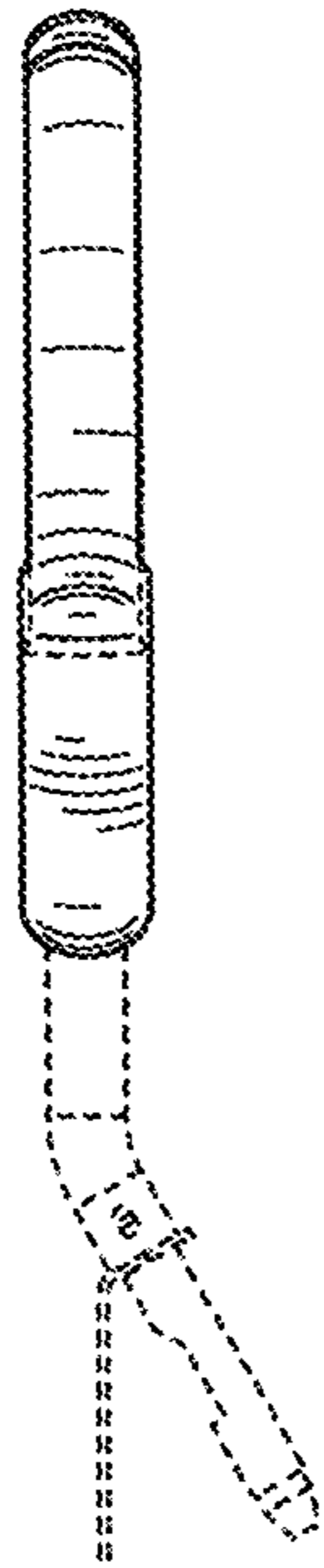


FIG. 4

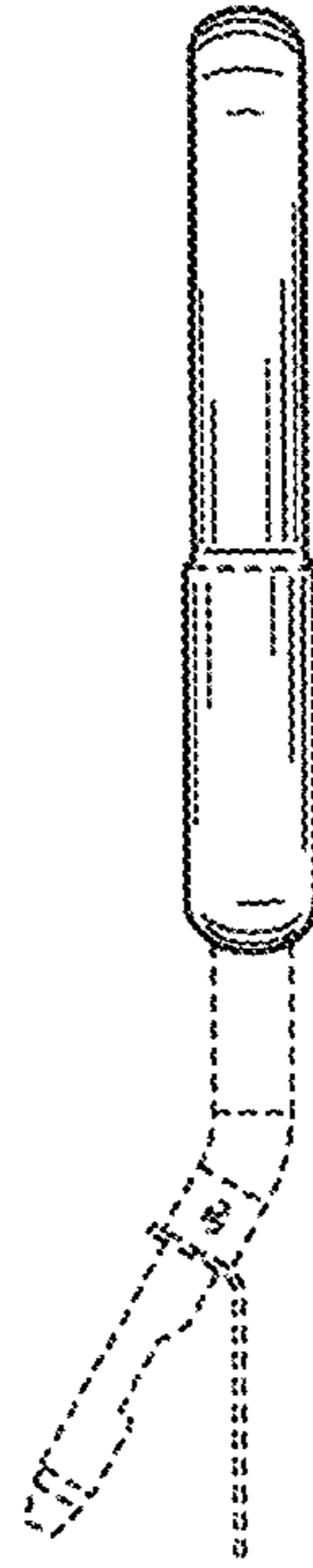


FIG. 5

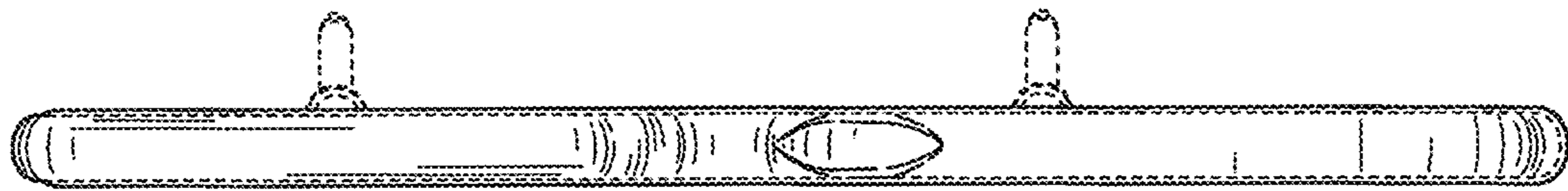


FIG. 6

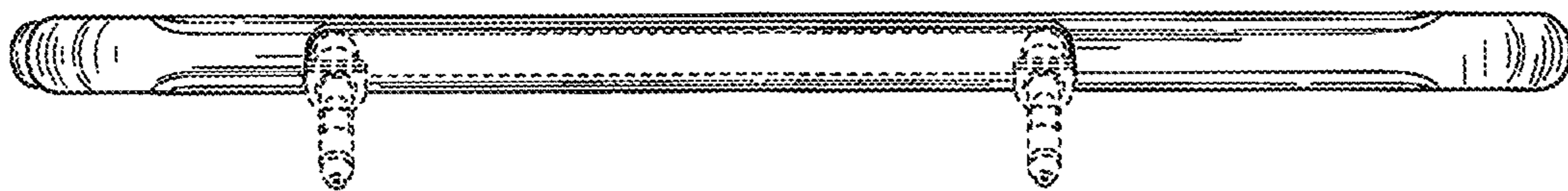


FIG. 7