



US00D817057S

(12) **United States Design Patent**
Kuhl et al.

(10) **Patent No.:** **US D817,057 S**
(45) **Date of Patent:** **** May 8, 2018**

(54) **SOFA BOTTOM WITH OUTLET**

- (71) Applicant: **BURROW, INC.**, Philadelphia, PA (US)
- (72) Inventors: **Stephen Kuhl**, New York, NY (US);
Leah Amick, Portland, OR (US)
- (73) Assignee: **Burrow, Inc.**, Philadelphia, PA (US)
- (**) Term: **15 Years**
- (21) Appl. No.: **29/593,152**
- (22) Filed: **Feb. 6, 2017**
- (51) **LOC (11) Cl.** **06-01**
- (52) **U.S. Cl.**
USPC **D6/716; D6/381**
- (58) **Field of Classification Search**
USPC **D6/334-381, 702, 708, 716, 716.1;**
D13/139.1, 139.4, 139.7

(Continued)

(56) **References Cited**

U.S. PATENT DOCUMENTS

- D294,539 S * 3/1988 Coggins D3/272
- 7,143,978 B2 12/2006 Smallhorn

(Continued)

OTHER PUBLICATIONS

Sticky Trigger review of PowerCube, <http://www.stickytrigger.com/tech/review-powercube-extended-usb/>, Feb. 1, 2017, pp. 1-9.

(Continued)

Primary Examiner — Deanna L Pratt

(74) *Attorney, Agent, or Firm* — Eric L. Sopher; Dentons US LLP

(57) **CLAIM**

The ornamental design for a sofa bottom with outlet, as shown and described.

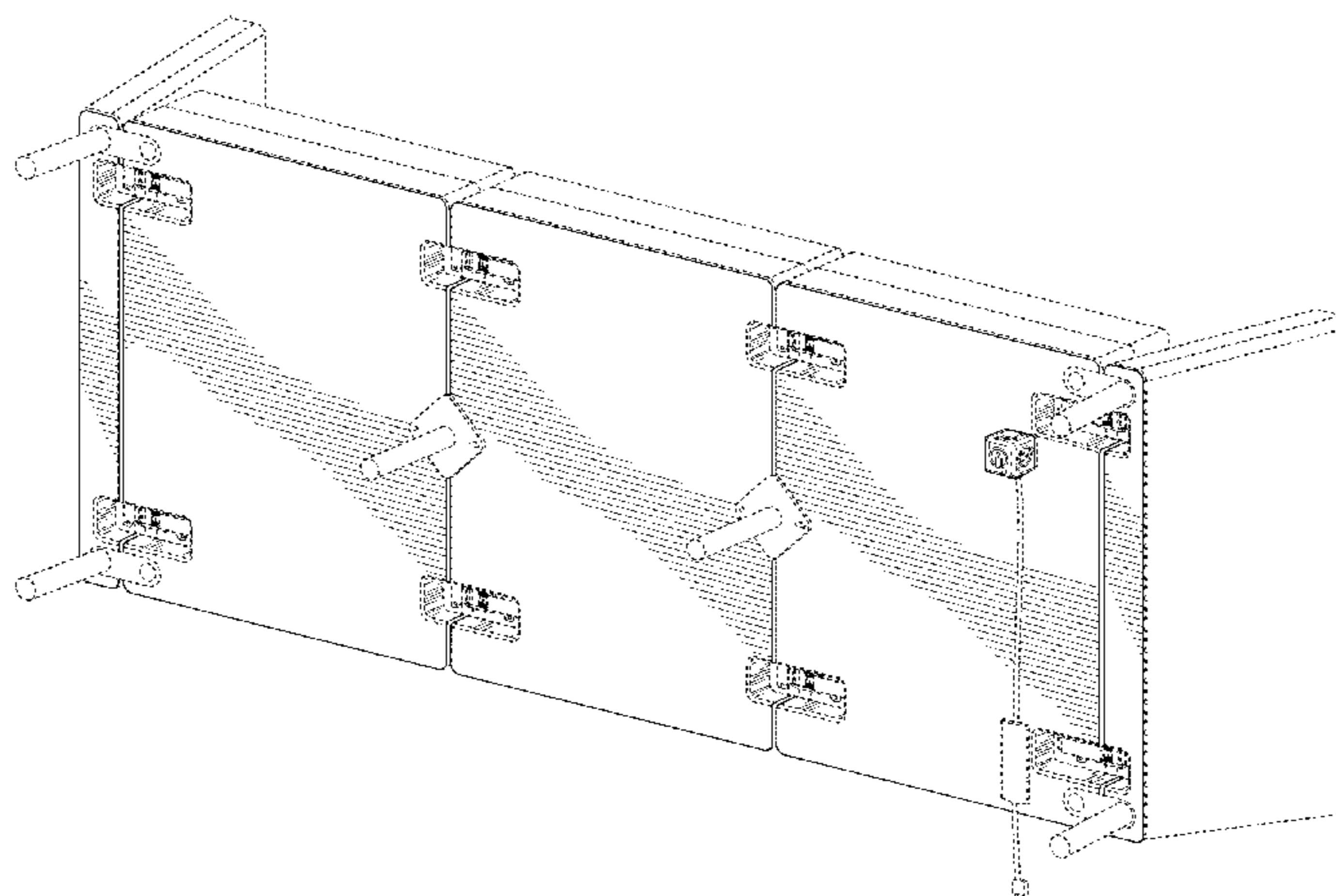
DESCRIPTION

FIG. 1 is a bottom view of a sofa bottom with outlet;
FIG. 2 is an isometric view of the sofa bottom with outlet of FIG. 1, looking at the bottom and right sides and front edge of the sofa;

FIG. 3 is an isometric view of the sofa bottom with outlet of FIG. 1, looking at the bottom, left, and back sides of the sofa;
FIG. 4 is a top view of the sofa bottom with outlet of FIG. 1 and of the sofa bottom with outlet of FIG. 15;
FIG. 5 is a front view of the sofa bottom with outlet of FIG. 1 and of the sofa bottom with outlet of FIG. 15;
FIG. 6 is a right side view of the sofa bottom with outlet of FIG. 1;
FIG. 7 is a left side view of the sofa bottom with outlet of FIG. 1;
FIG. 8 is a back view of the sofa bottom with outlet of FIG. 1;
FIG. 9 is a bottom view of a second embodiment of a sofa bottom with outlet;
FIG. 10 is a top view of the sofa bottom with outlet of FIG. 9;
FIG. 11 is a front view of the sofa bottom with outlet of FIG. 9;
FIG. 12 is a right side view of the sofa bottom with outlet of FIG. 9;
FIG. 13 is a left side view of the sofa bottom with outlet of FIG. 9;
FIG. 14 is a back view of the sofa bottom with outlet of FIG. 9;
FIG. 15 is a bottom view of a third embodiment of a sofa bottom with outlet.
FIG. 16 is a right side view of the sofa bottom with outlet of FIG. 15;
FIG. 17 is a left side view of the sofa bottom with outlet of FIG. 15; and,
FIG. 18 is a back view of the sofa bottom with outlet of FIG. 15.

Applicants disclaim those portions of a sofa bottom with outlet not shown in the drawings as forming no part of the claimed design. Those portions of a sofa bottom with outlet shown in broken lines in the drawings form no part of the claimed design. The surface shading lines illustrated in the drawings are provided only to indicate the contour or curvature of the surfaces. They do not indicate color, texture,

(Continued)



or markings that actually exist thereon, or indicia, graphic representations, surface treatment, or any other ornamentation applied to the article.

1 Claim, 15 Drawing Sheets

(58) **Field of Classification Search**

CPC A47C 17/86; A47C 4/028; A47C 4/02;
A47C 13/005

See application file for complete search history.

(56) **References Cited**

U.S. PATENT DOCUMENTS

8,132,856	B2	3/2012	Wilson et al.	
D718,714	S	12/2014	Si	
D718,715	S	12/2014	Si	
9,655,458	B2 *	5/2017	Jacobs	A47C 31/008
9,730,516	B2 *	8/2017	Green	A47B 88/407
2007/0040483	A1 *	2/2007	Arkay-Leliever	A47B 21/06 312/194
2009/0152915	A1	6/2009	Krasna et al.	
2012/0098306	A1	4/2012	Jarnagin et al.	
2012/0200129	A1	8/2012	Wilson, Jr.	
2014/0062145	A1 *	3/2014	Iacovoni	A47B 83/02 297/135
2015/0320203	A1 *	11/2015	Mandon	A47B 21/06 108/20

OTHER PUBLICATIONS

Michael Brown, "PC World review of PowerCube," PCWorld, Jun. 11, 2014.

* cited by examiner

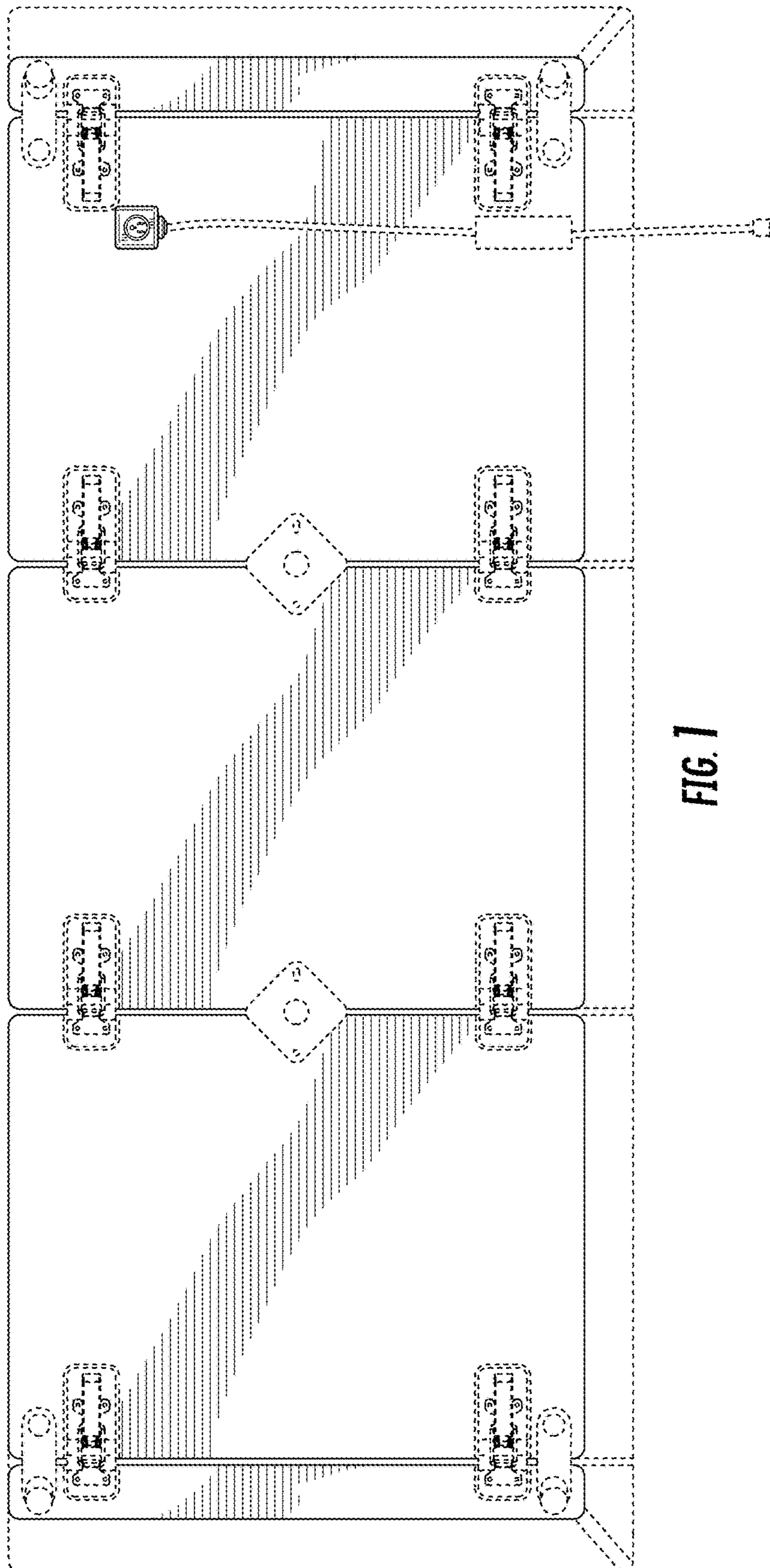


FIG. 1

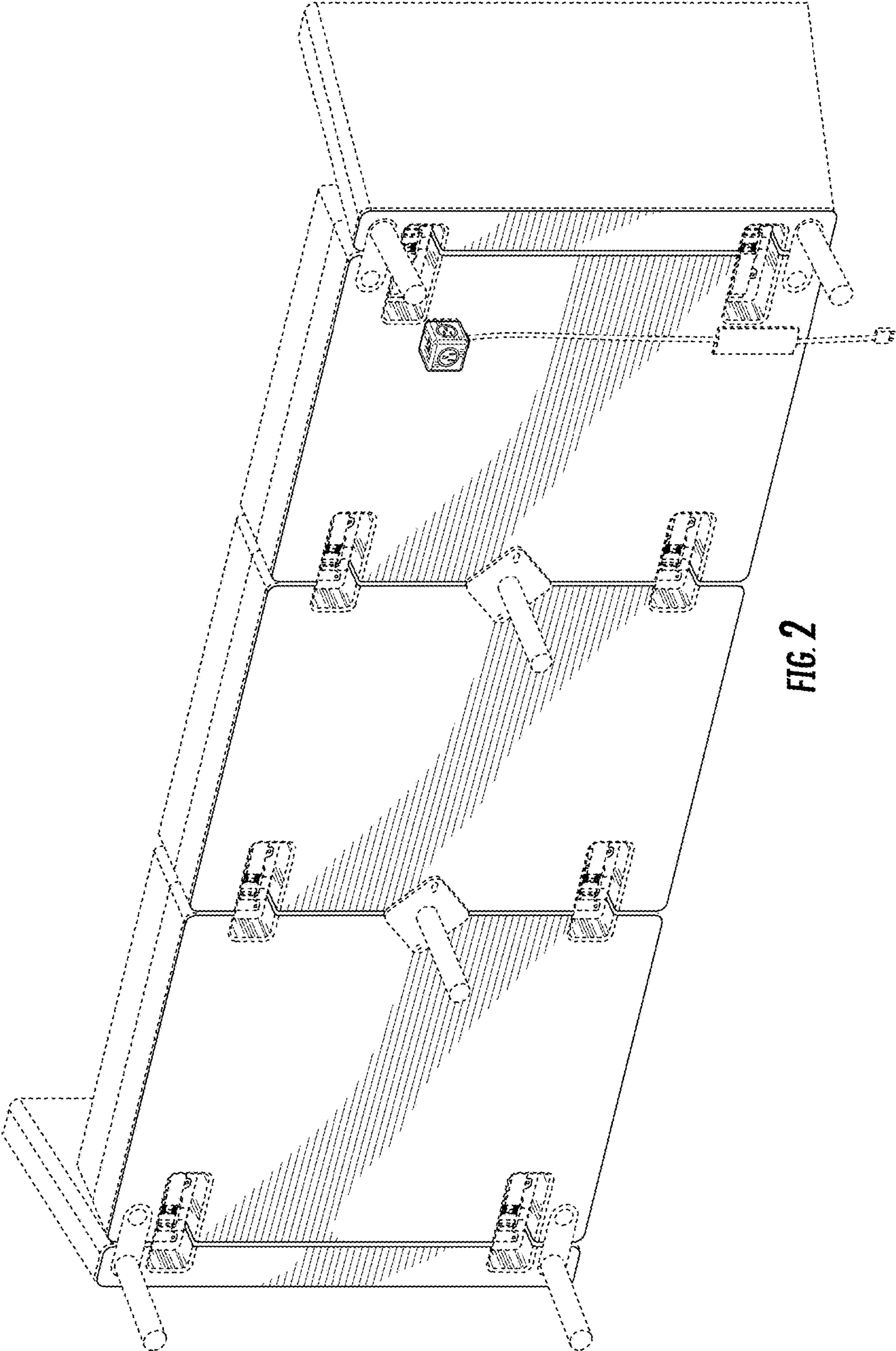


FIG. 2

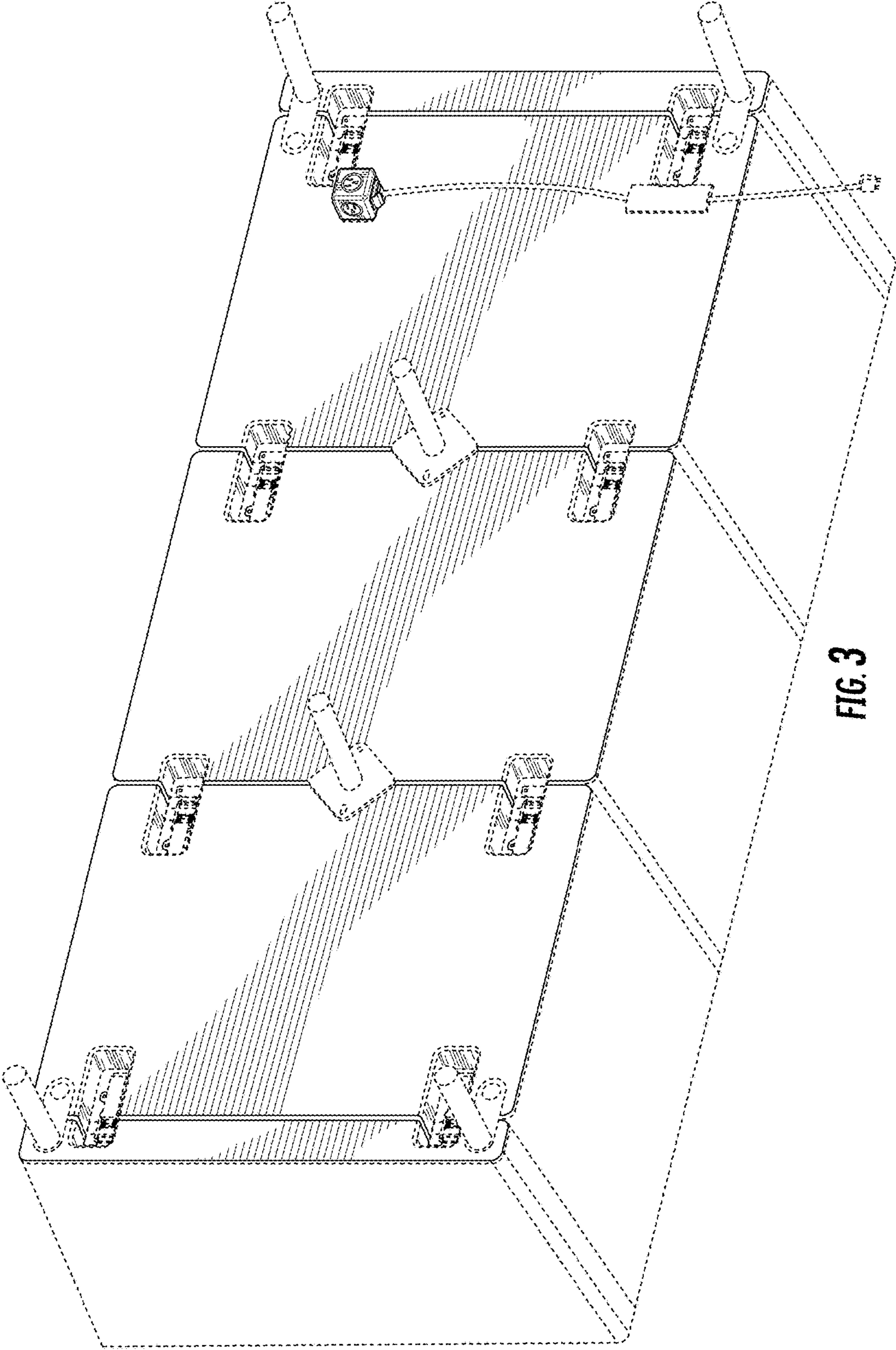


FIG. 3

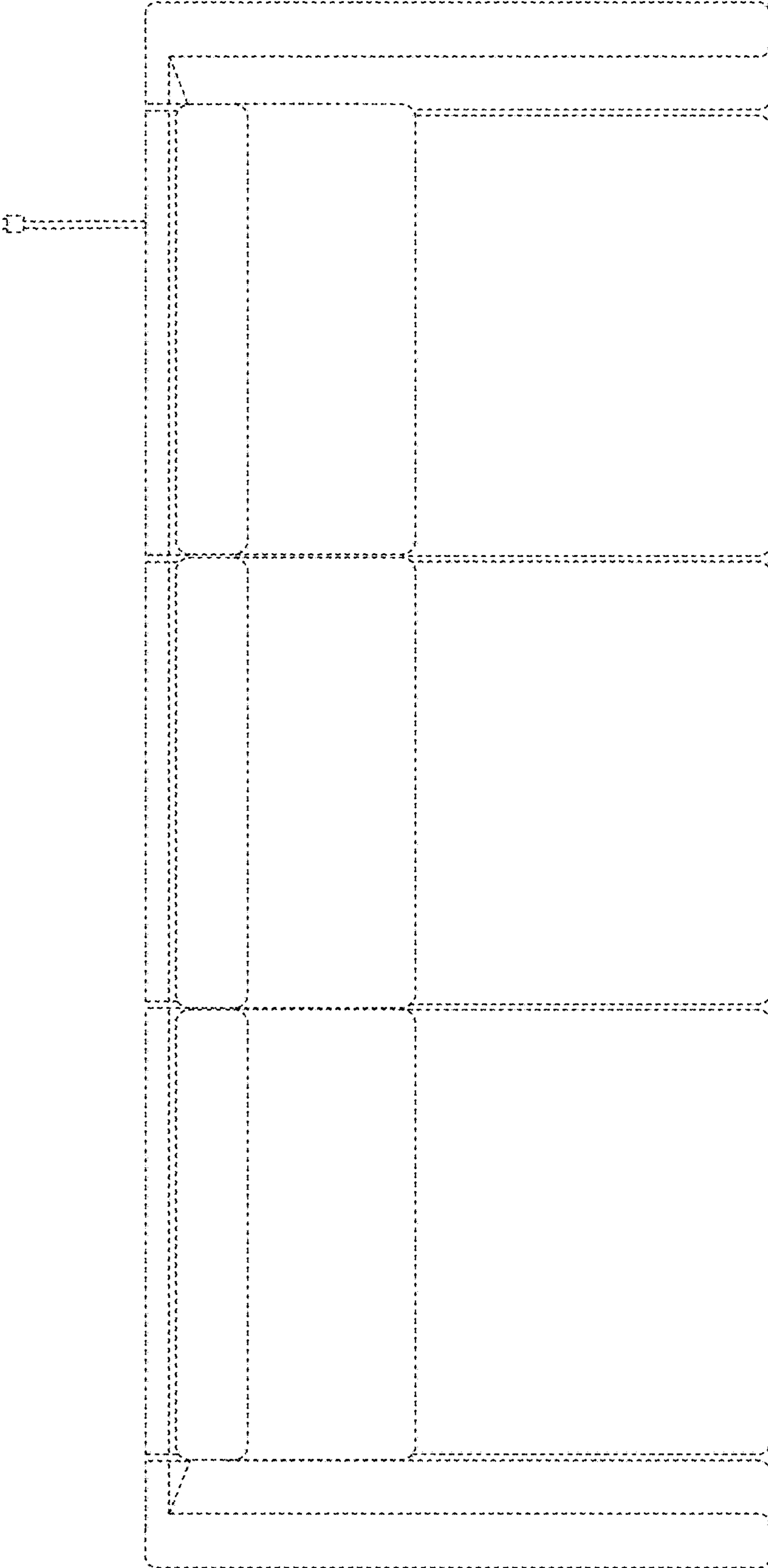


FIG. 4

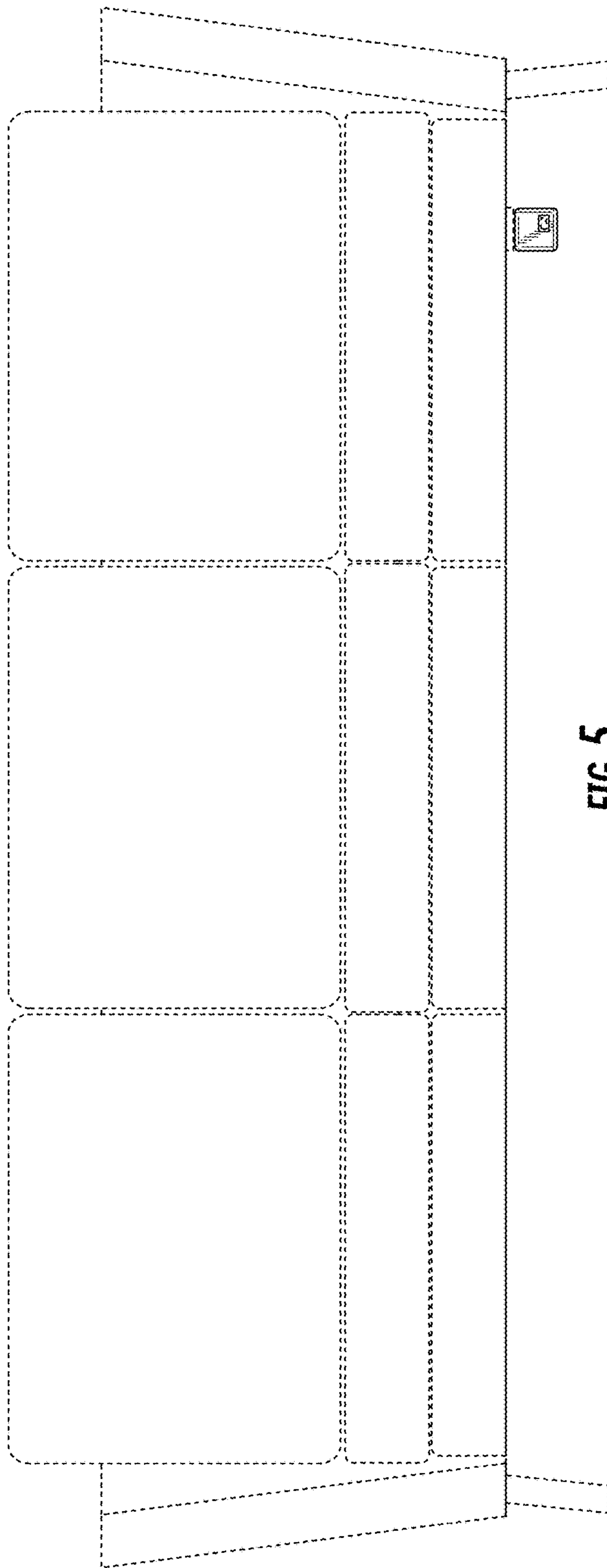


FIG. 5

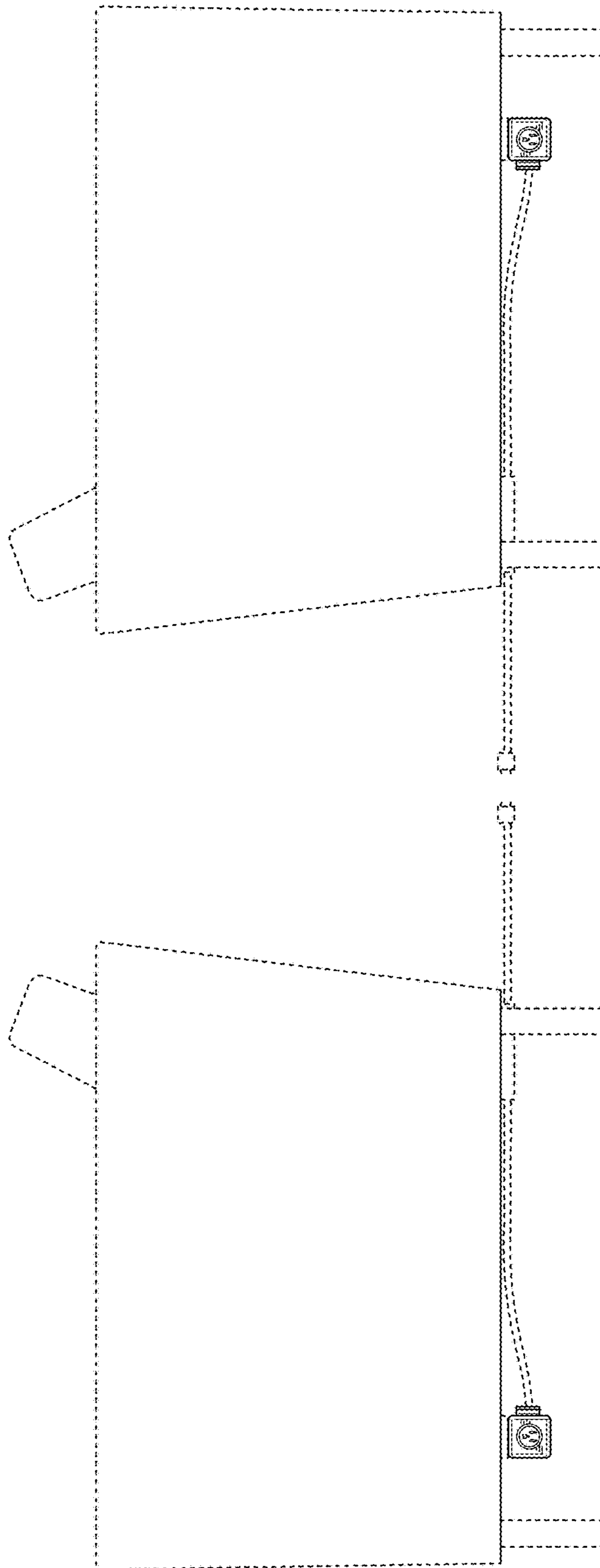


FIG. 7

FIG. 6

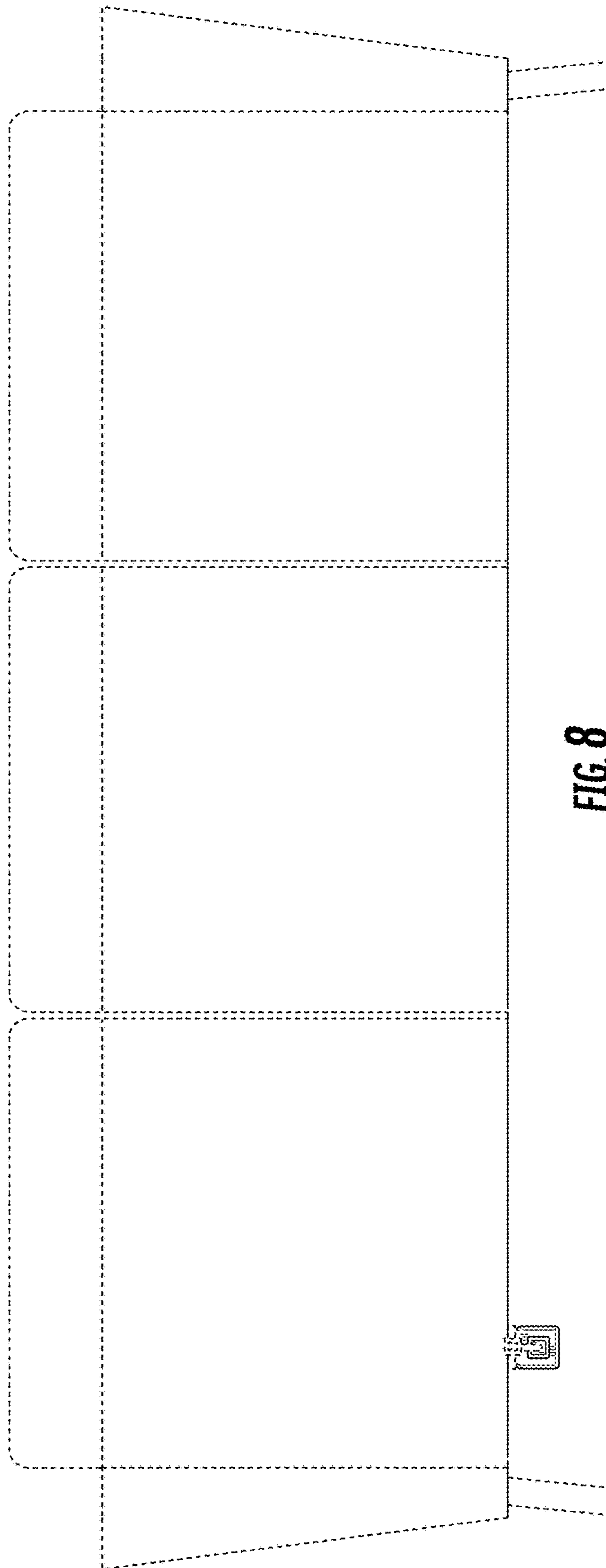


FIG. 8

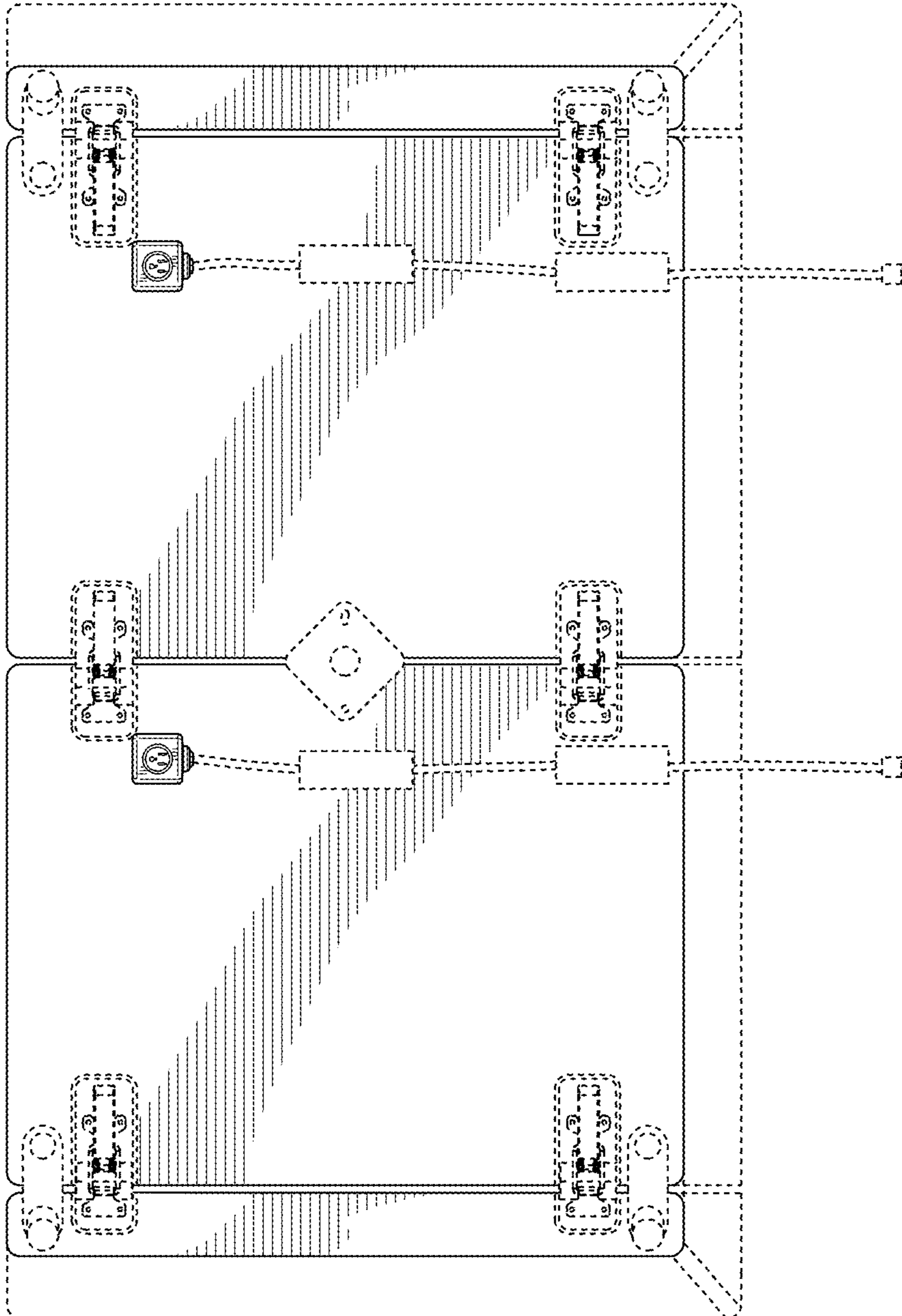


FIG. 9

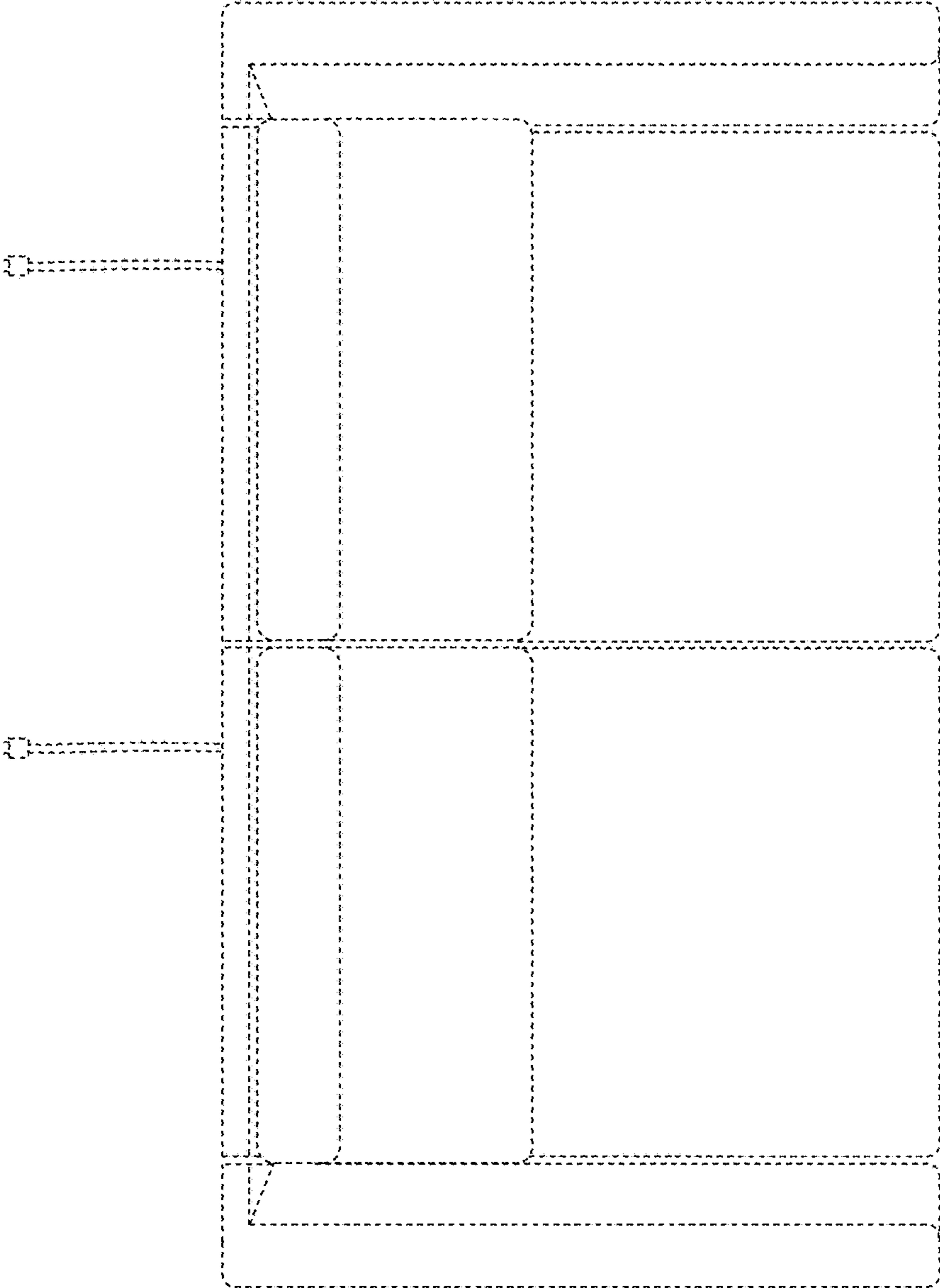


FIG. 10

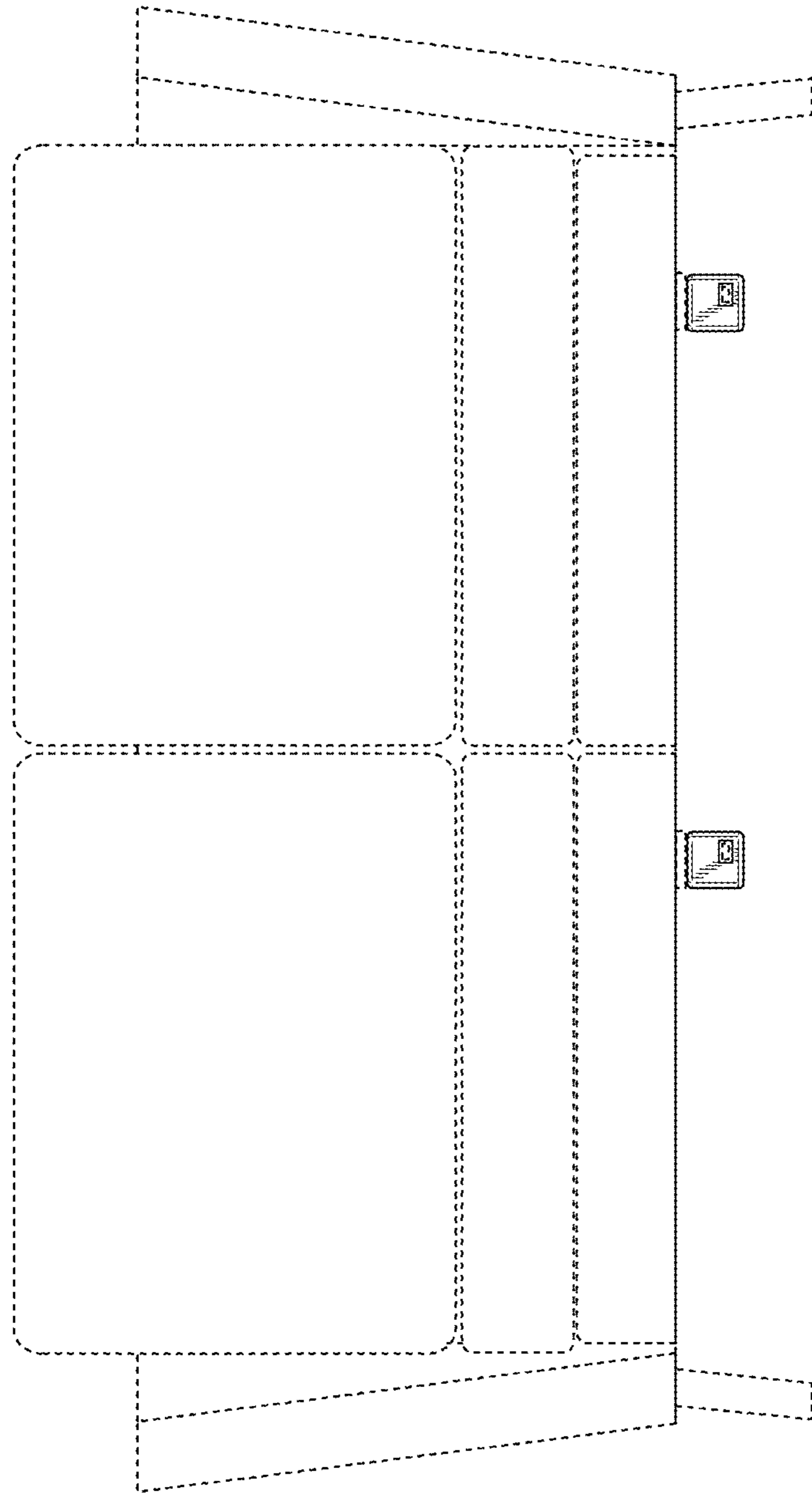


FIG. 11

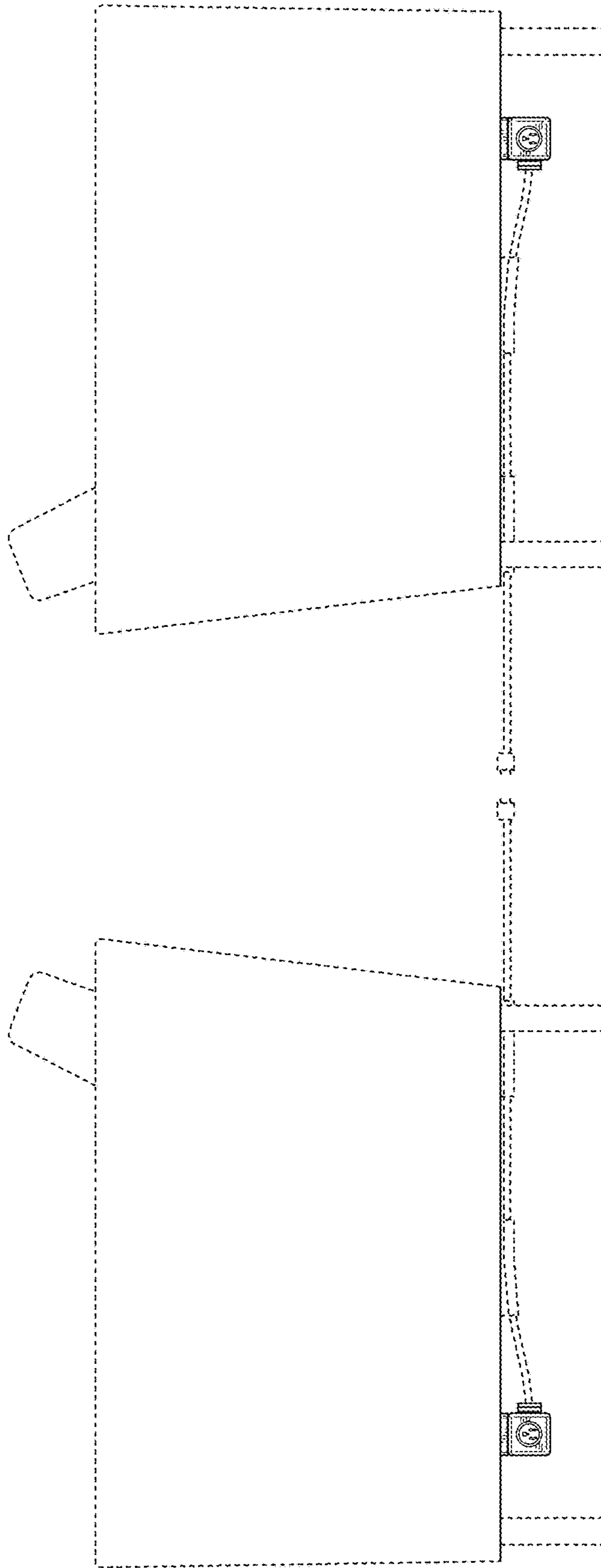


FIG. 13

FIG. 12

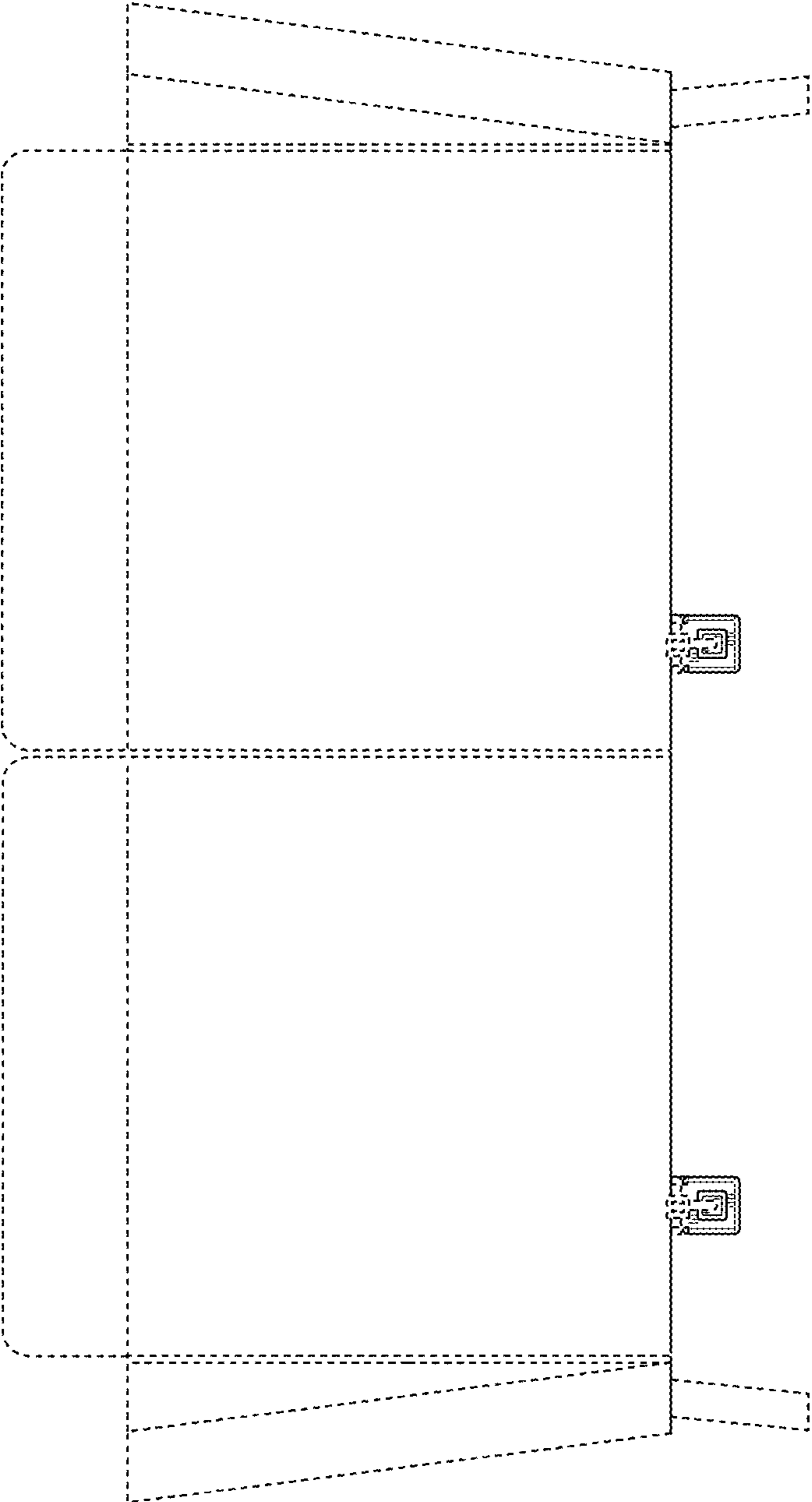


FIG. 14

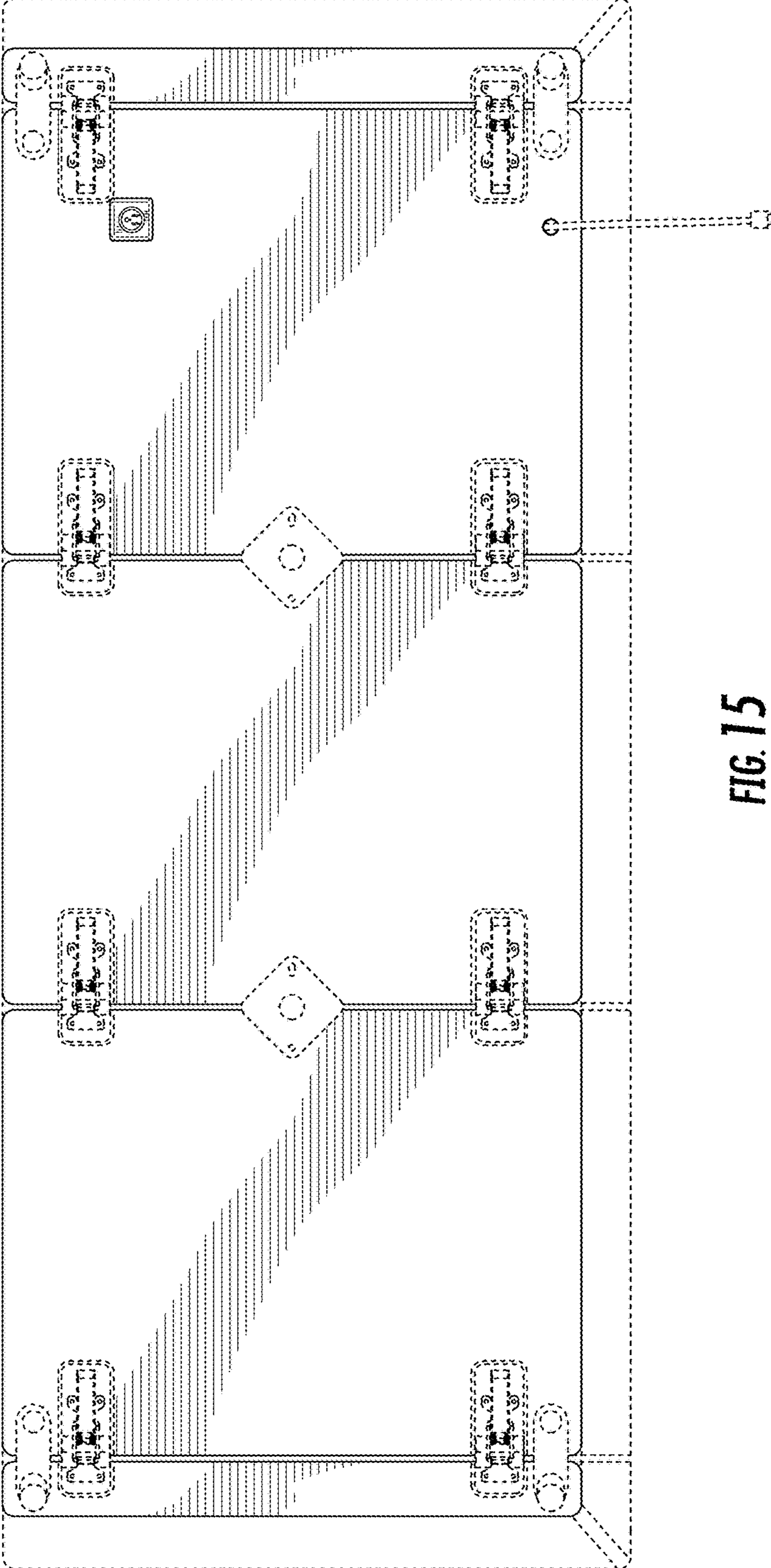


FIG. 15

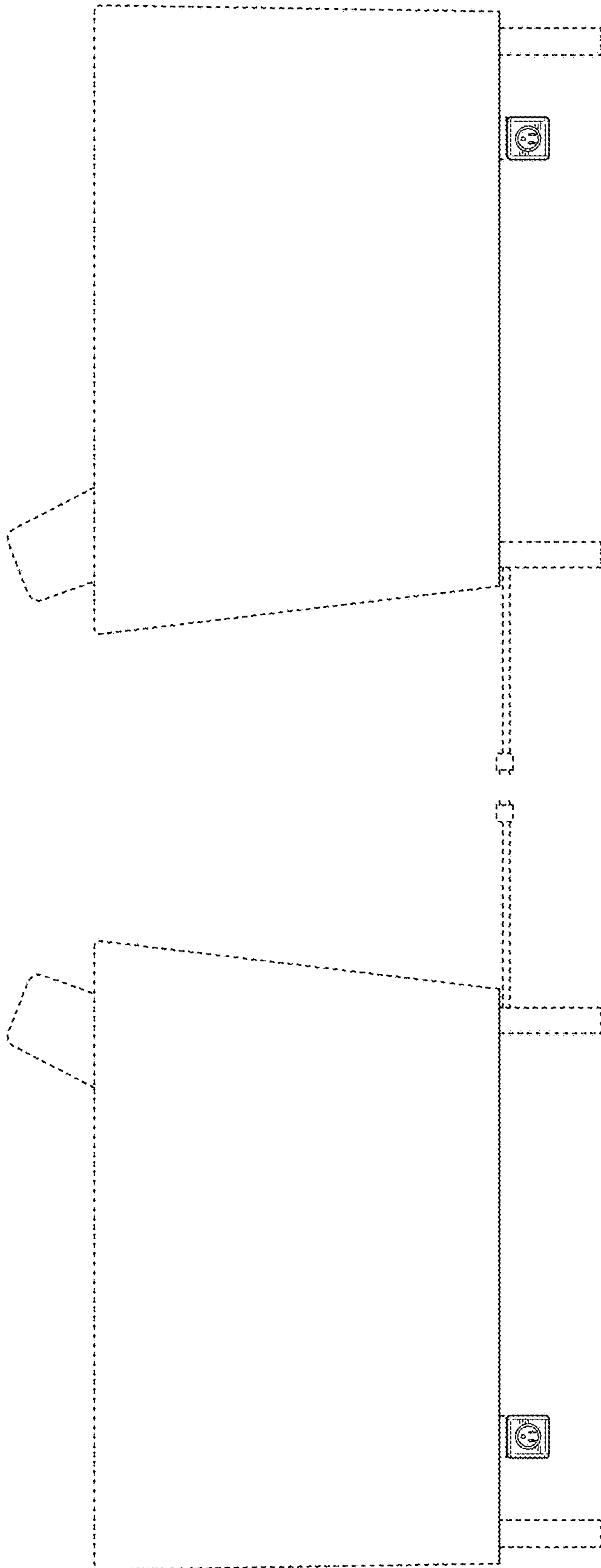


FIG. 17

FIG. 16

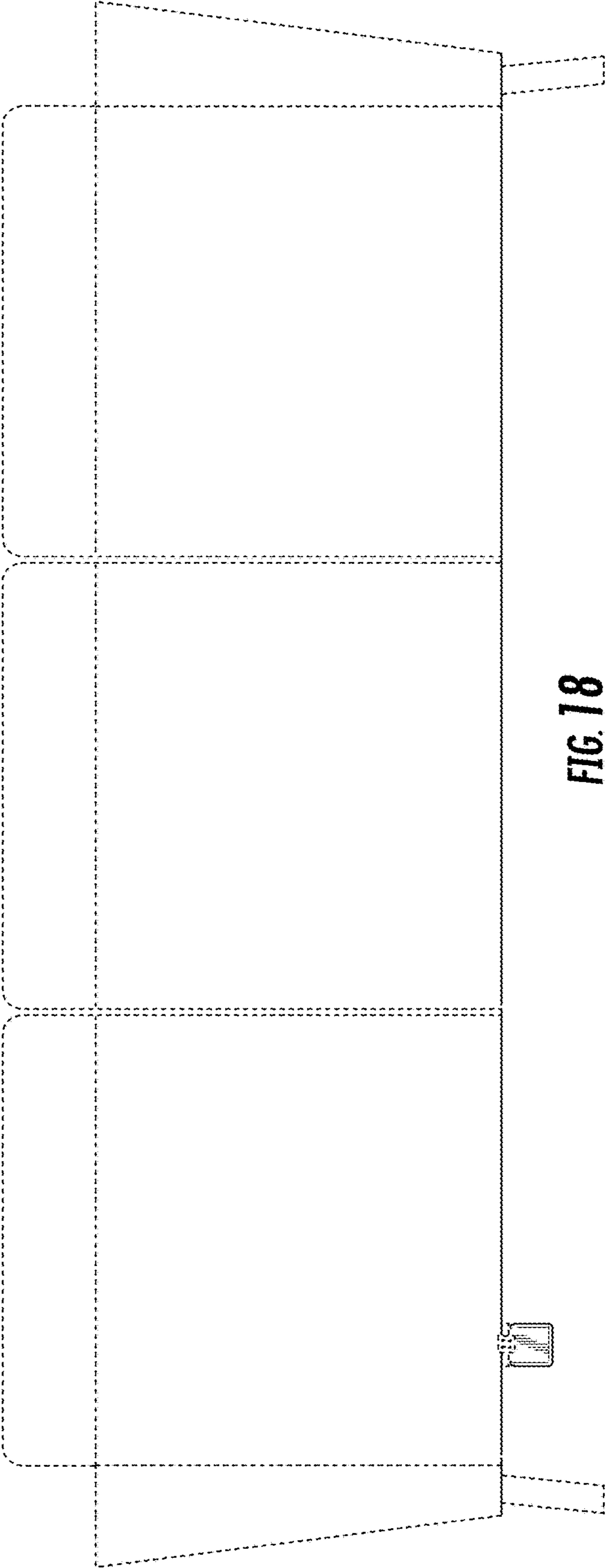


FIG. 18