



US00D817056S

(12) **United States Design Patent**
Neil

(10) **Patent No.:** **US D817,056 S**

(45) **Date of Patent:** **** May 8, 2018**

(54) **CHAIR**

(71) Applicant: **Gary Neil**, Mississauga (CA)

(72) Inventor: **Gary Neil**, Mississauga (CA)

(73) Assignee: **Allseating Corporation**, Mississauga (CA)

(**) Term: **15 Years**

(21) Appl. No.: **29/570,172**

(22) Filed: **Jul. 6, 2016**

(51) **LOC (11) Cl.** **06-01**

(52) **U.S. Cl.**
USPC **D6/716; D6/366**

(58) **Field of Classification Search**
USPC D6/334-336, 364, 365, 366, 374, 375,
D6/716, 716.1, 716.2, 716.4
CPC A47C 3/12; A47C 4/028; A47C 7/004;
A47C 7/022; A47C 7/18; A47C 7/24;
A47C 7/40; A47C 7/54
See application file for complete search history.

(56) **References Cited**

U.S. PATENT DOCUMENTS

3,043,627 A * 7/1962 Torjusen A47C 3/12
264/257
D281,840 S * 12/1985 Ogg D6/366

D408,164 S * 4/1999 Popham D6/366
D443,991 S * 6/2001 Picotti D6/366
D603,177 S * 11/2009 Kubryk D6/366
D647,715 S * 11/2011 Kubryk D6/366
D648,158 S * 11/2011 Kubryk D6/716
D664,381 S * 7/2012 Kubryk D6/716
D683,171 S * 5/2013 Kubryk D6/716
D683,570 S * 6/2013 Kubryk D6/716

* cited by examiner

Primary Examiner — Mimoso De

(74) *Attorney, Agent, or Firm* — Lorelei G. Graham

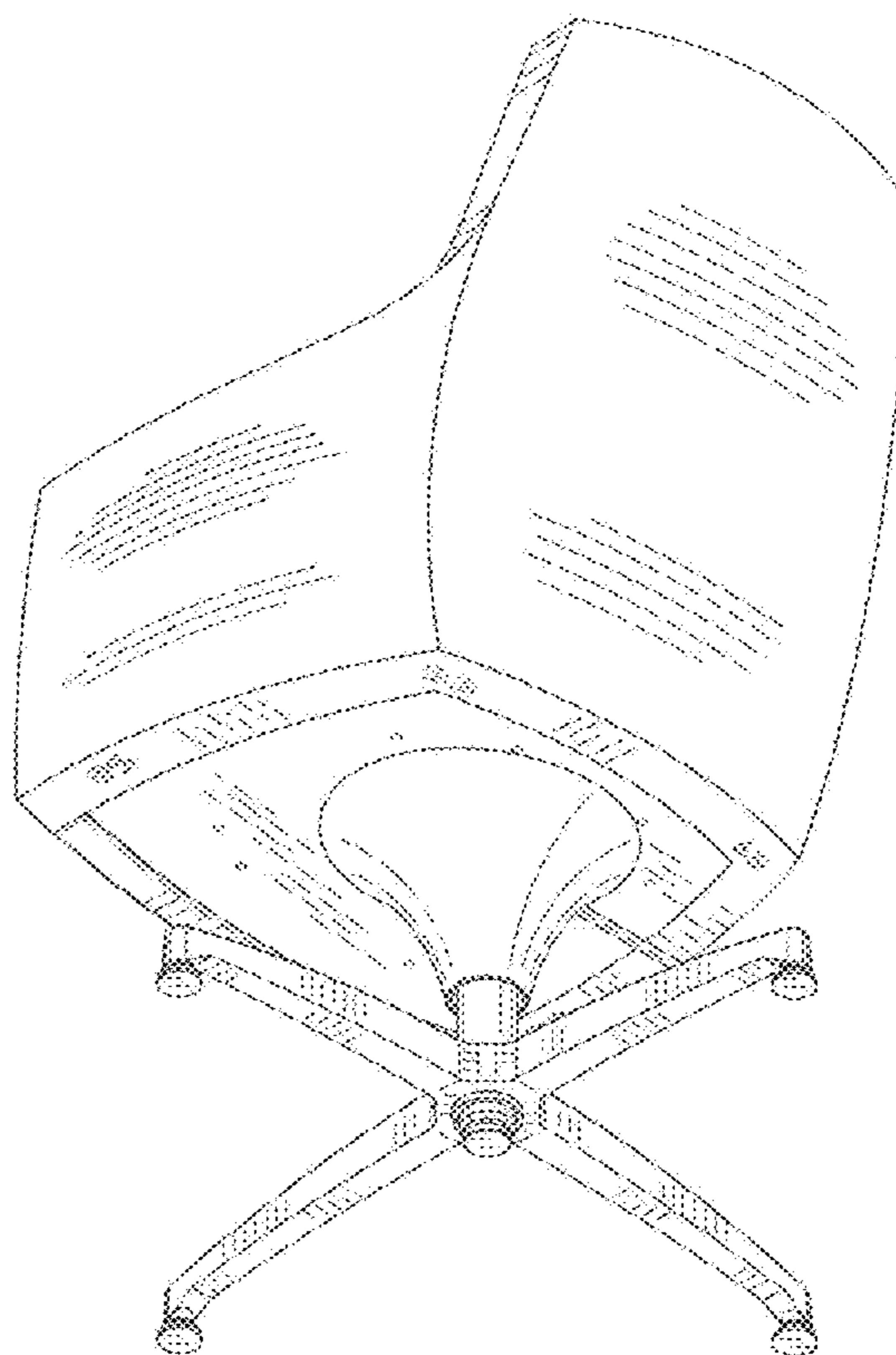
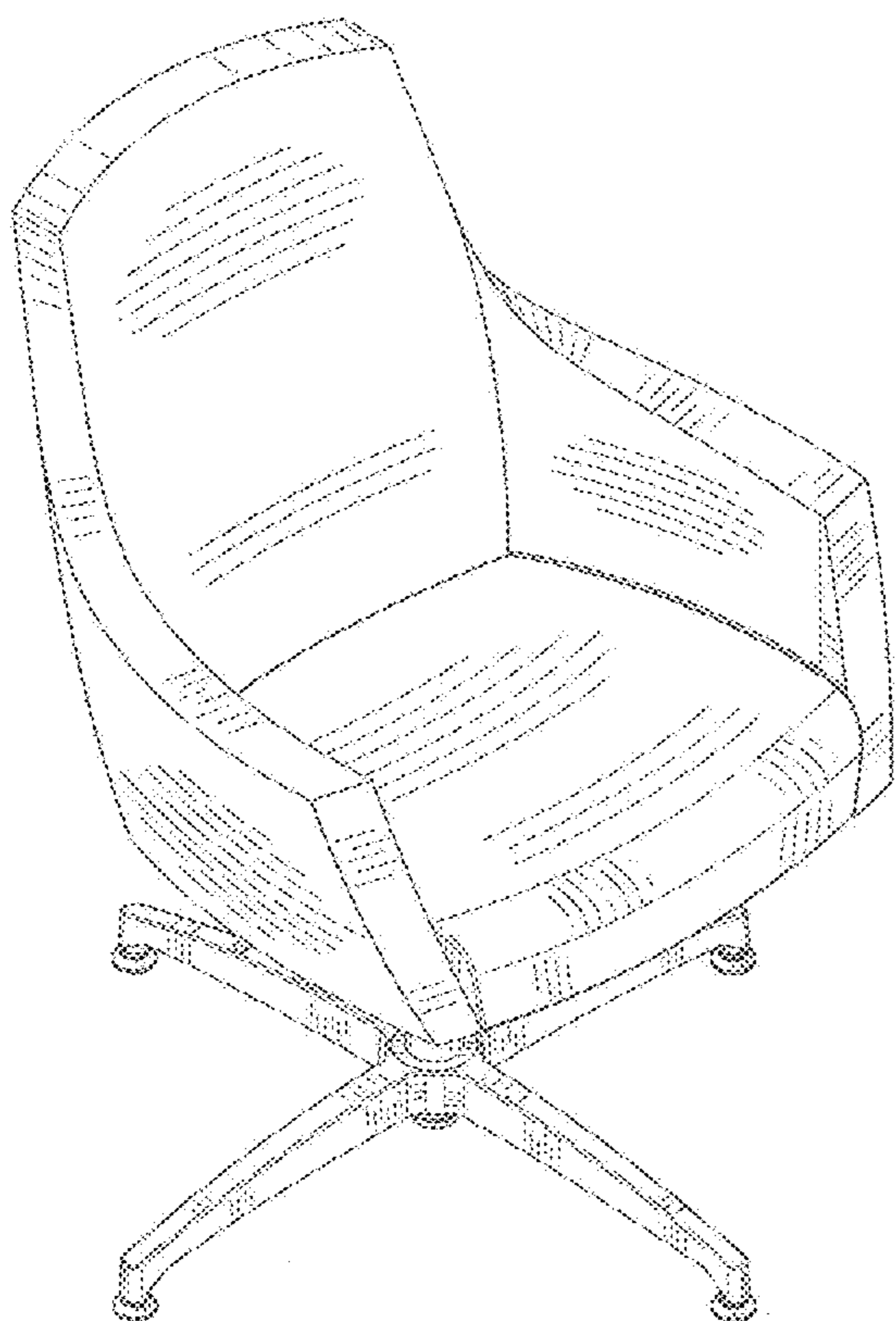
(57) **CLAIM**

The ornamental design for the chair, as shown and described.

DESCRIPTION

FIG. 1 is a front perspective view of the chair.
FIG. 2 is a back perspective view of the chair.
FIG. 3 is a right side view of the chair.
FIG. 4 is a from view of the chair.
FIG. 5 is a left side view of the chair.
FIG. 6 is a back view of the chair.
FIG. 7 is a top view of the chair; and,
FIG. 8 is a bottom view of the chair.
The portions in dashed lines do not form part of the design.

1 Claim, 4 Drawing Sheets



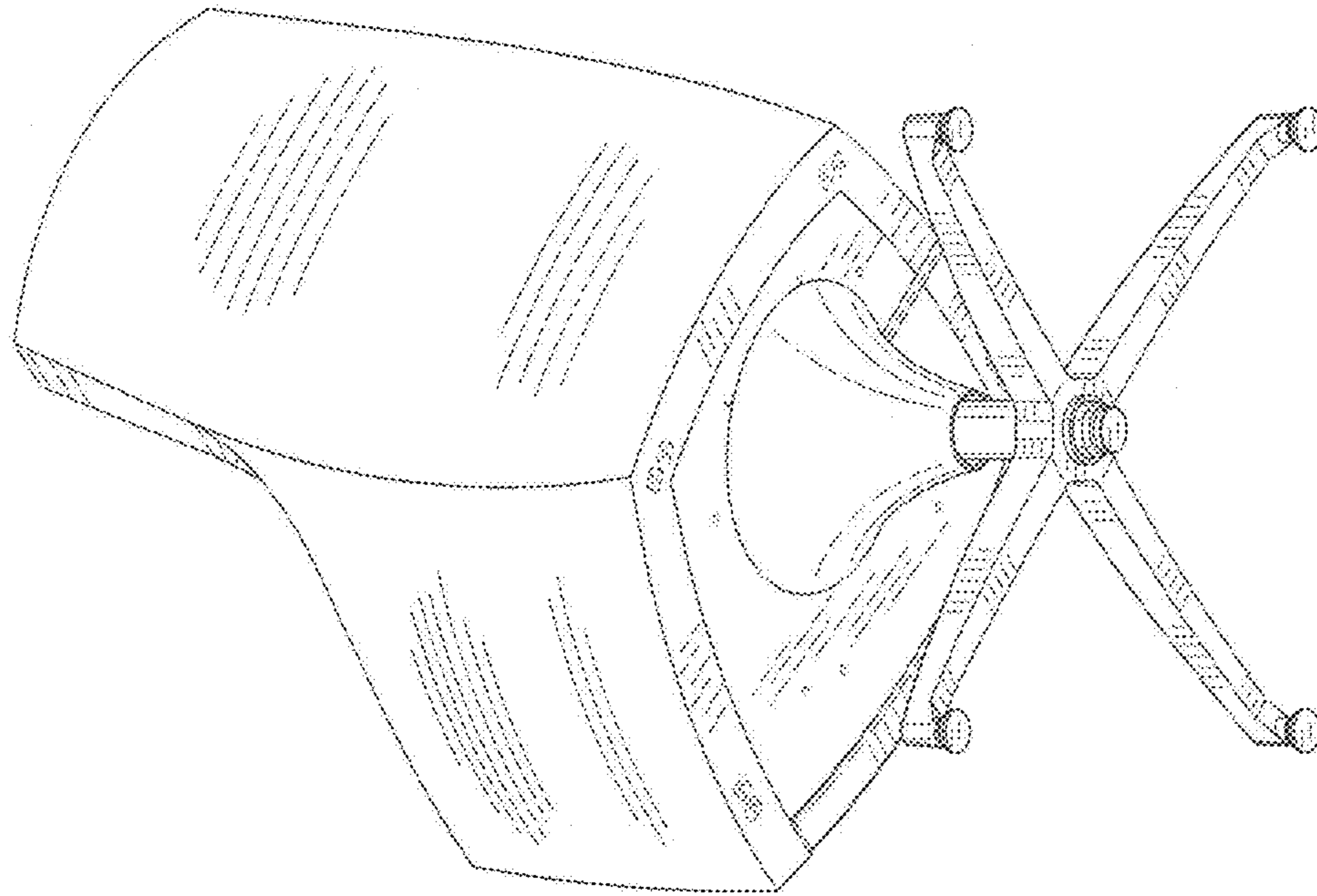


FIG. 2

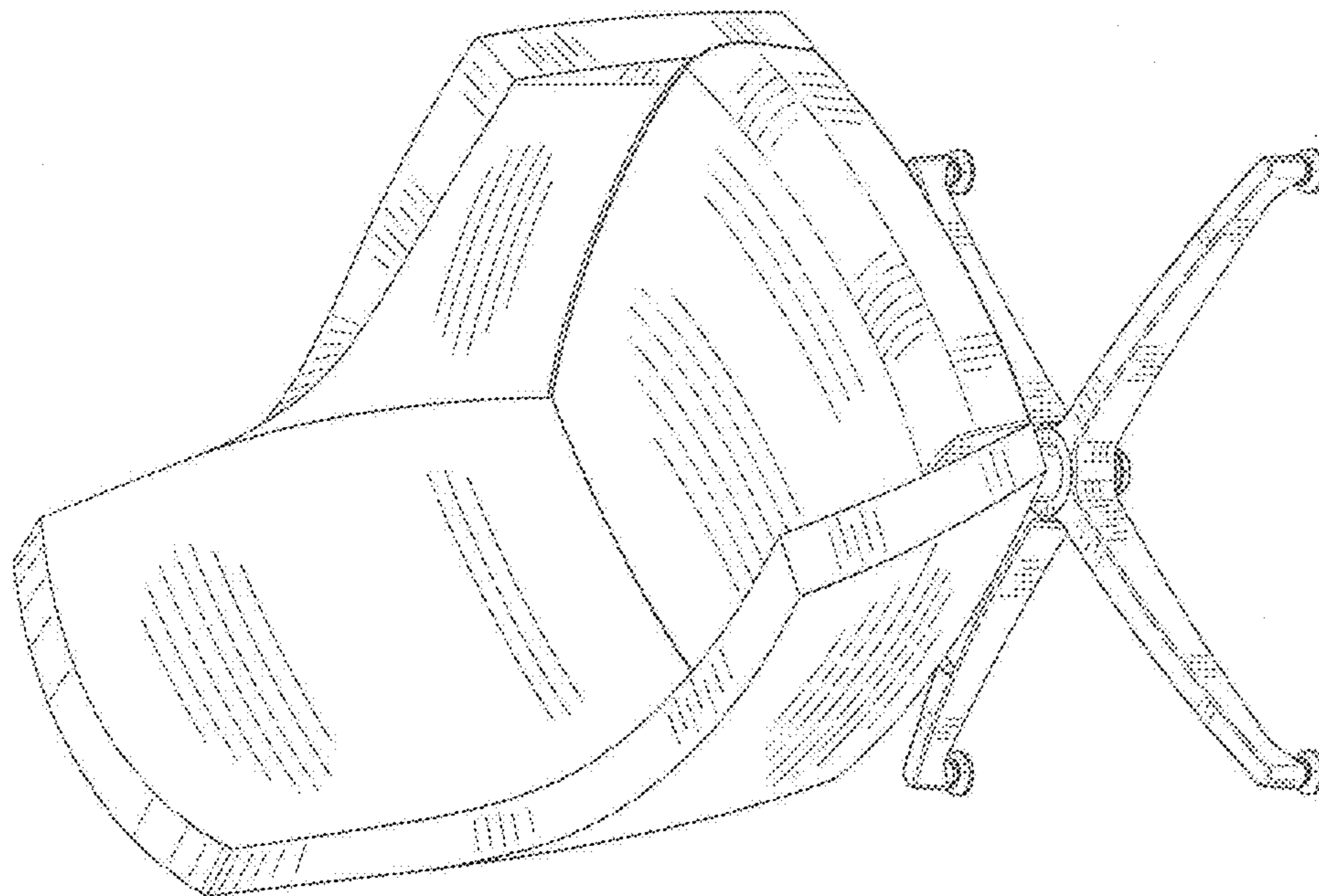


FIG. 1

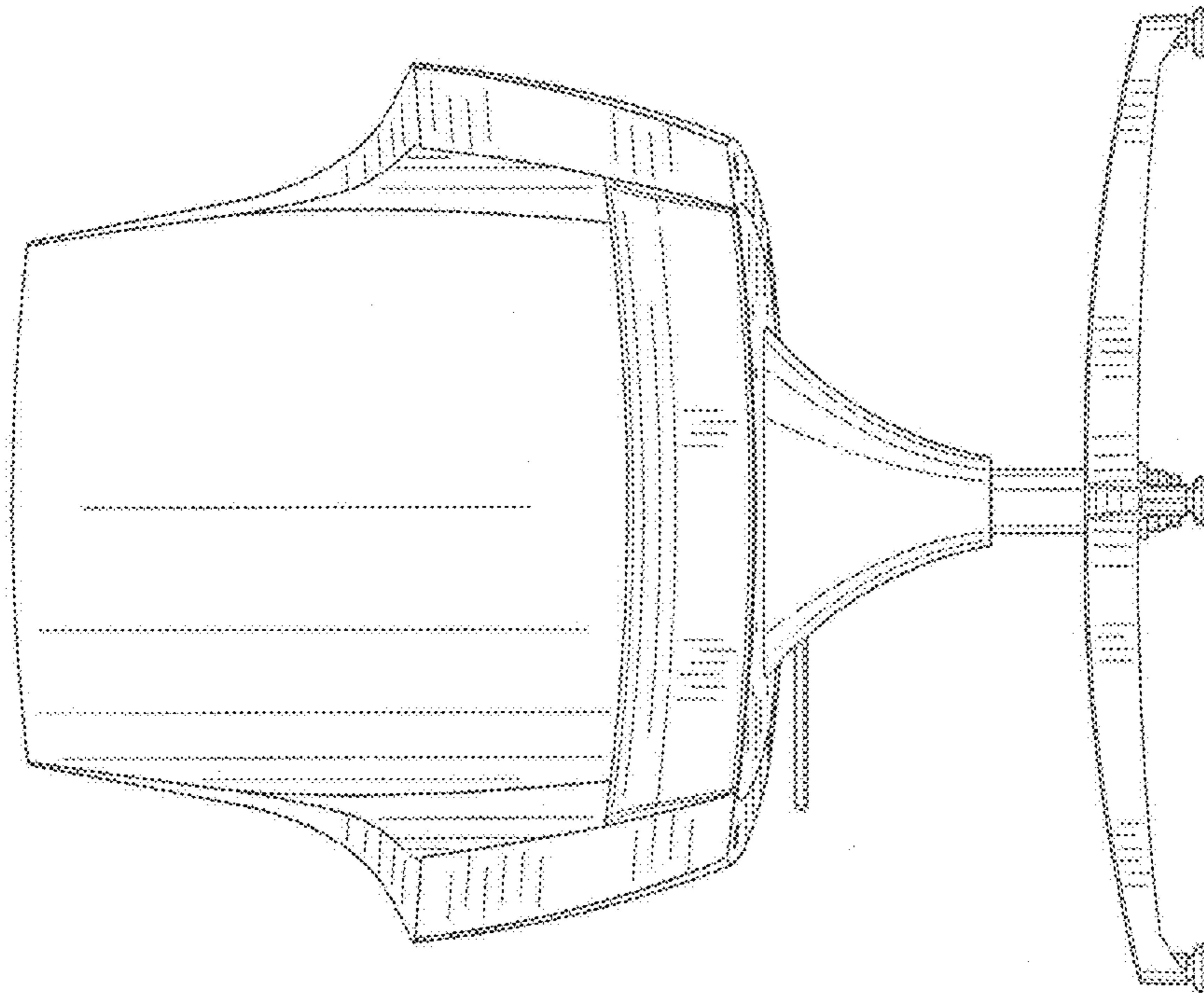


FIG. 4

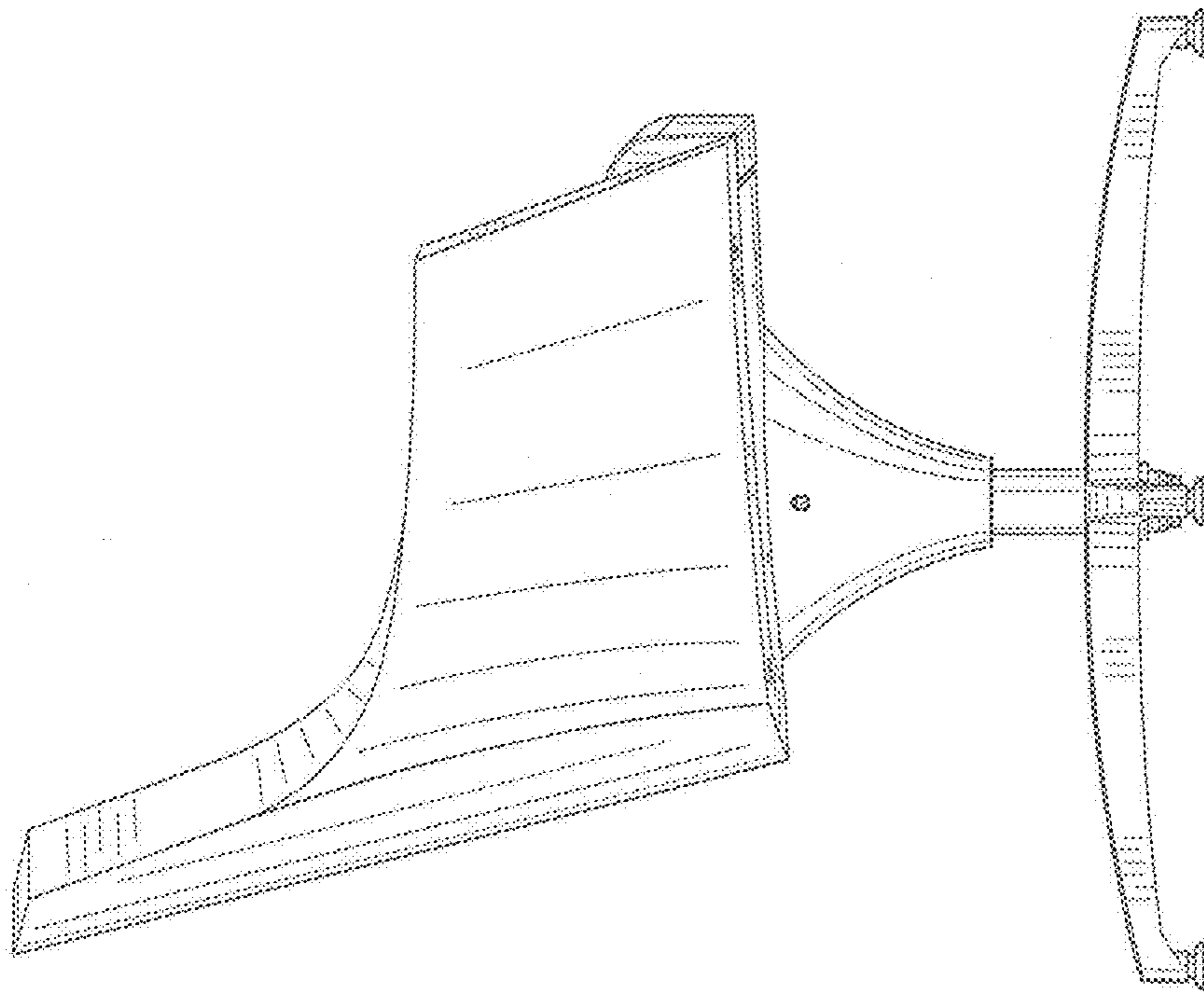


FIG. 3

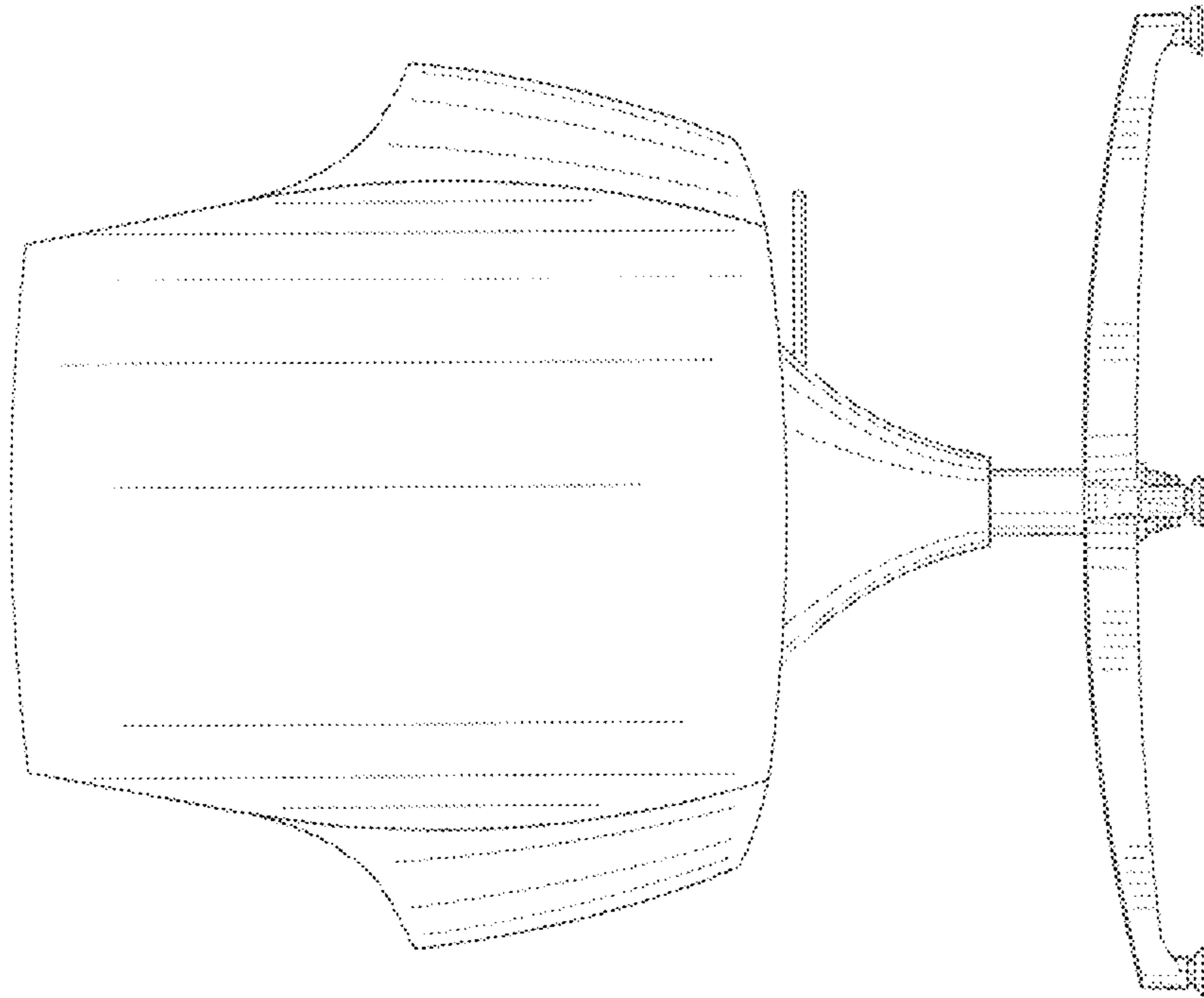


FIG. 6

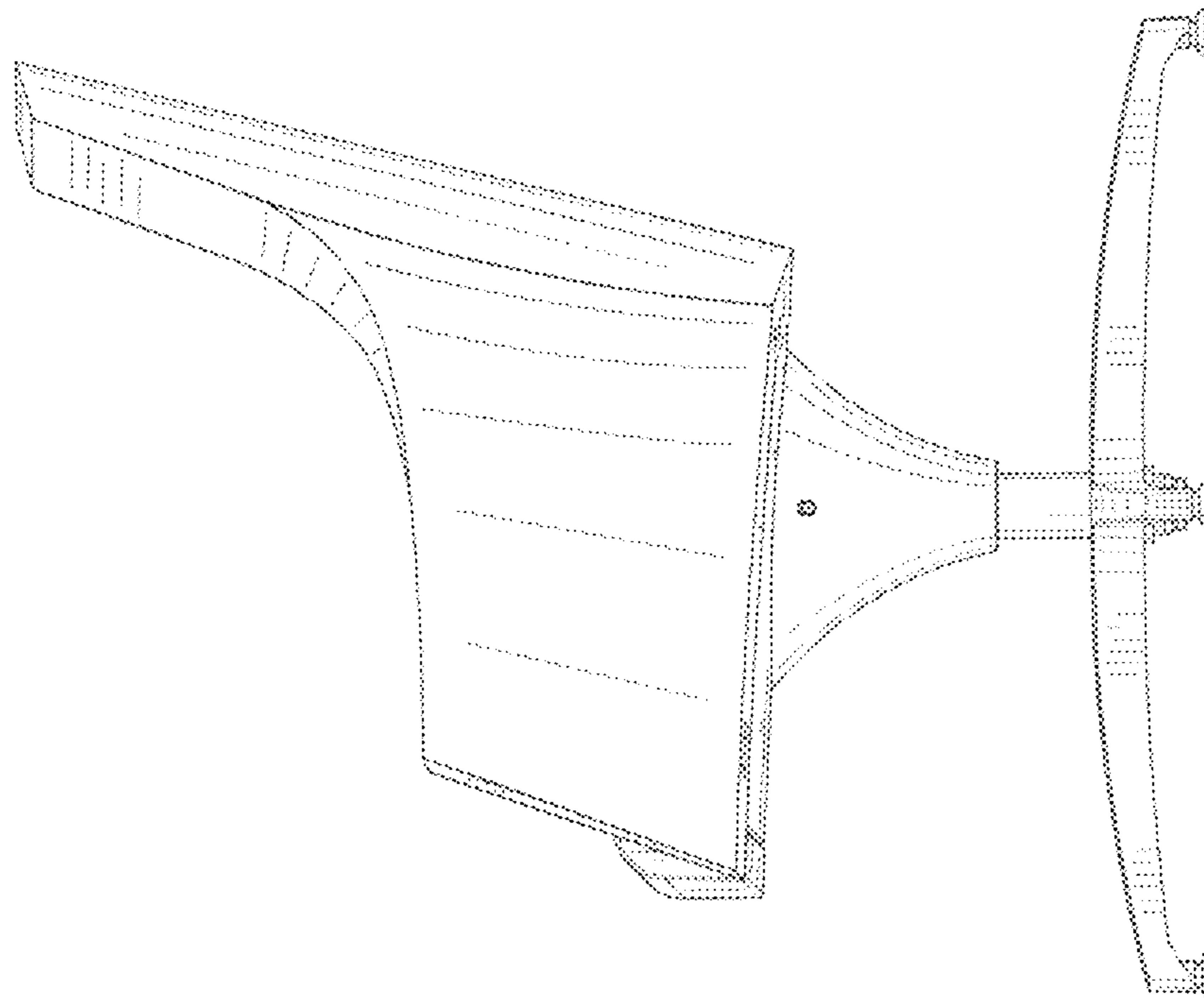


FIG. 5

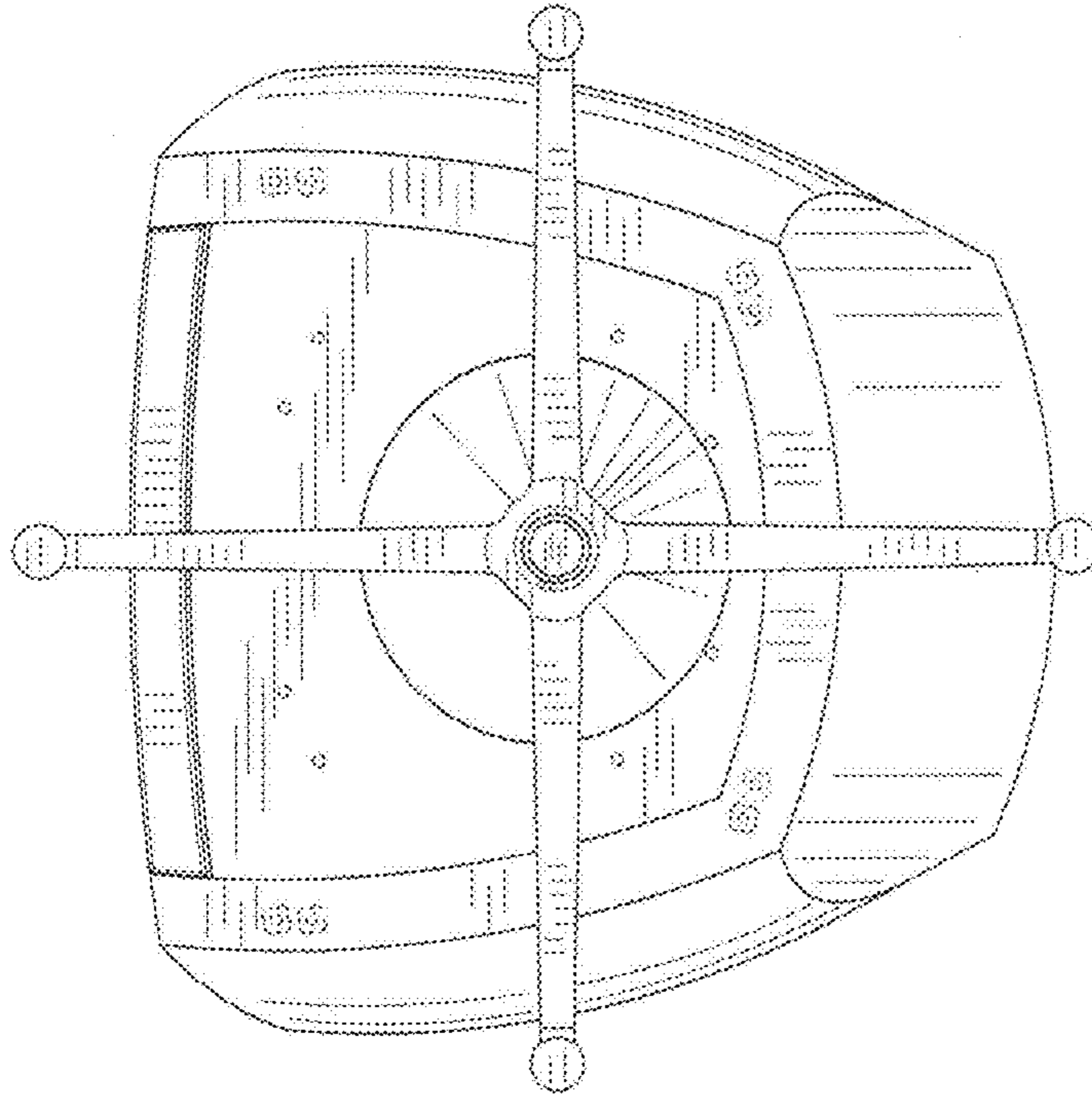


FIG. 8

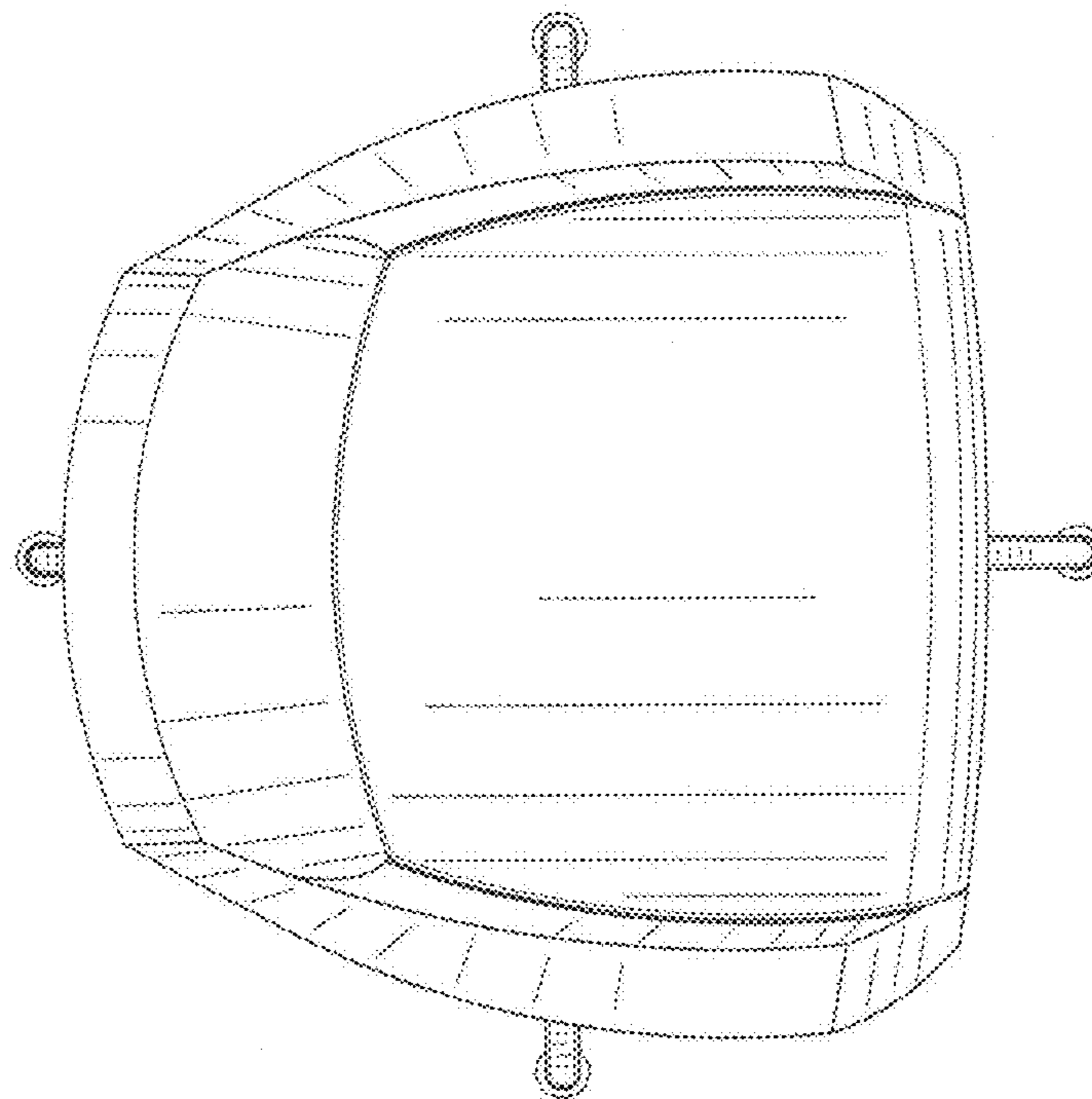


FIG. 7