



US00D817055S

(12) **United States Design Patent** (10) **Patent No.:** **US D817,055 S**
Lee (45) **Date of Patent:** **** May 8, 2018**

(54) **FOOTREST FOR CARSEAT**
(71) Applicant: **Myungjoo Lee**, Seoul (KR)
(72) Inventor: **Myungjoo Lee**, Seoul (KR)
(**) Term: **15 Years**
(21) Appl. No.: **29/577,301**
(22) Filed: **Sep. 12, 2016**
(30) **Foreign Application Priority Data**

Aug. 18, 2016 (KR) 30-2016-0040449

(51) **LOC (11) Cl.** **06-06**
(52) **U.S. Cl.**
USPC **D6/715**

(58) **Field of Classification Search**
USPC D6/334-336, 338-339, 333, 716,
D6/716.1-716.7, 344, 375, 715, 391;
D12/129; D21/412, 419; 280/30-31;
5/94, 98.1, 99.1, 101, 105, 655;
297/183.1-183.4, 184.13, 184.15, 184.17,
297/250.1, 256.1, 255, 256.15, 256.16,
297/174 R, 174 CS, 170-173, 136, 148,
297/27, 61, 30, 68-70, 76, 260.3, 271.1,
297/279, 423.18, 423.25, 423.34, 423.36;
4/572.1; D3/200
CPC .. A47C 7/00; A47C 7/52; A47C 7/506; A47C
7/022; A47C 7/034; A47D 15/00; A47D
15/006; B60N 2/00; B60N 2/24

See application file for complete search history.

(56) **References Cited**

U.S. PATENT DOCUMENTS

D342,405 S *	12/1993	Hazel	D6/333
D345,468 S *	3/1994	McVicker	D6/349
D484,516 S *	12/2003	McCord	D15/28
D536,290 S *	2/2007	Yeh	D12/203
D645,281 S *	9/2011	de Jong	D6/716.6
D648,576 S *	11/2011	McGeeney	D6/360
D674,218 S *	1/2013	Hsuan-Chin	D6/716.6
D691,819 S *	10/2013	Kittilsen	D6/339
D737,089 S *	8/2015	Taylor	D6/716.7
D743,725 S *	11/2015	Lee	D6/715
2014/0292050 A1 *	10/2014	Chen	A47C 4/02 297/256.16

* cited by examiner

Primary Examiner — Abraham Bahta

(74) *Attorney, Agent, or Firm* — Lex IP Meister, PLLC

(57) **CLAIM**

The ornamental design for a footrest for carseat, as shown and described.

DESCRIPTION

FIG. 1 is a perspective view of a footrest for carseat showing my new design;
FIG. 2 is a front elevational view thereof;
FIG. 3 is a rear elevational view thereof;
FIG. 4 is a left side elevational view thereof;
FIG. 5 is a right side elevational view thereof;
FIG. 6 is a top plan view thereof;
FIG. 7 is a bottom plan view thereof; and,
FIG. 8 is a reference drawing thereof.

1 Claim, 8 Drawing Sheets

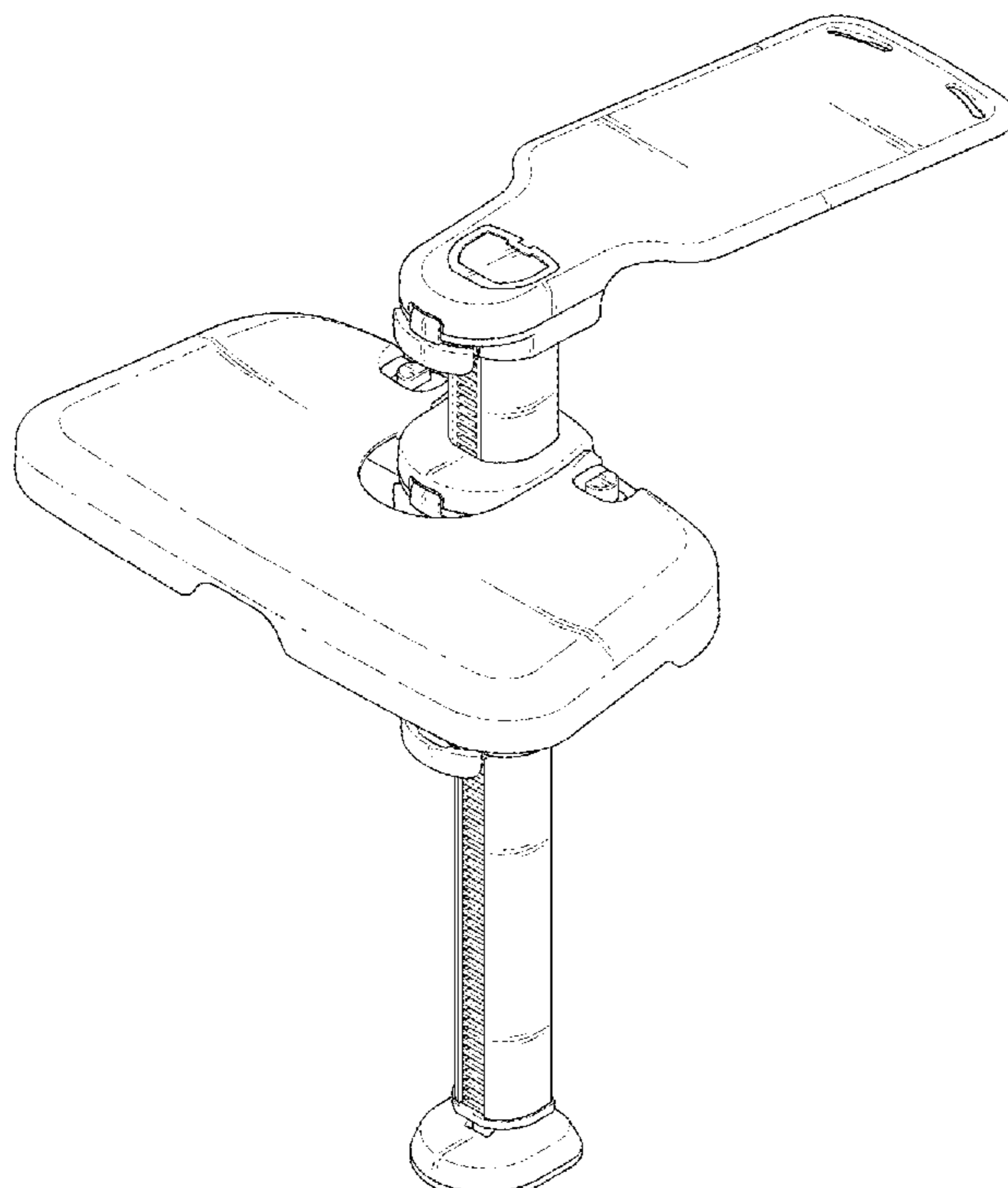


FIG. 1

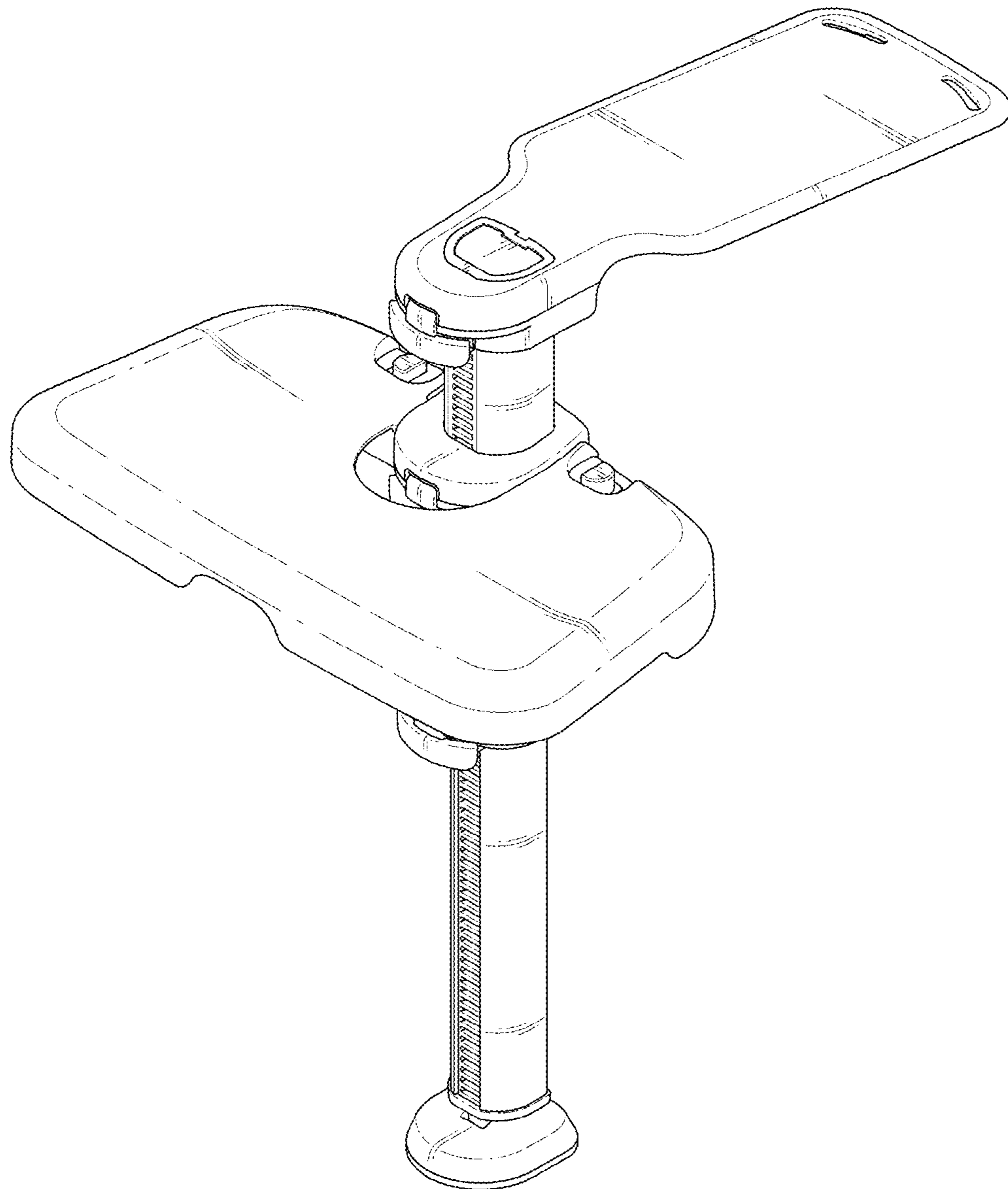


FIG. 2

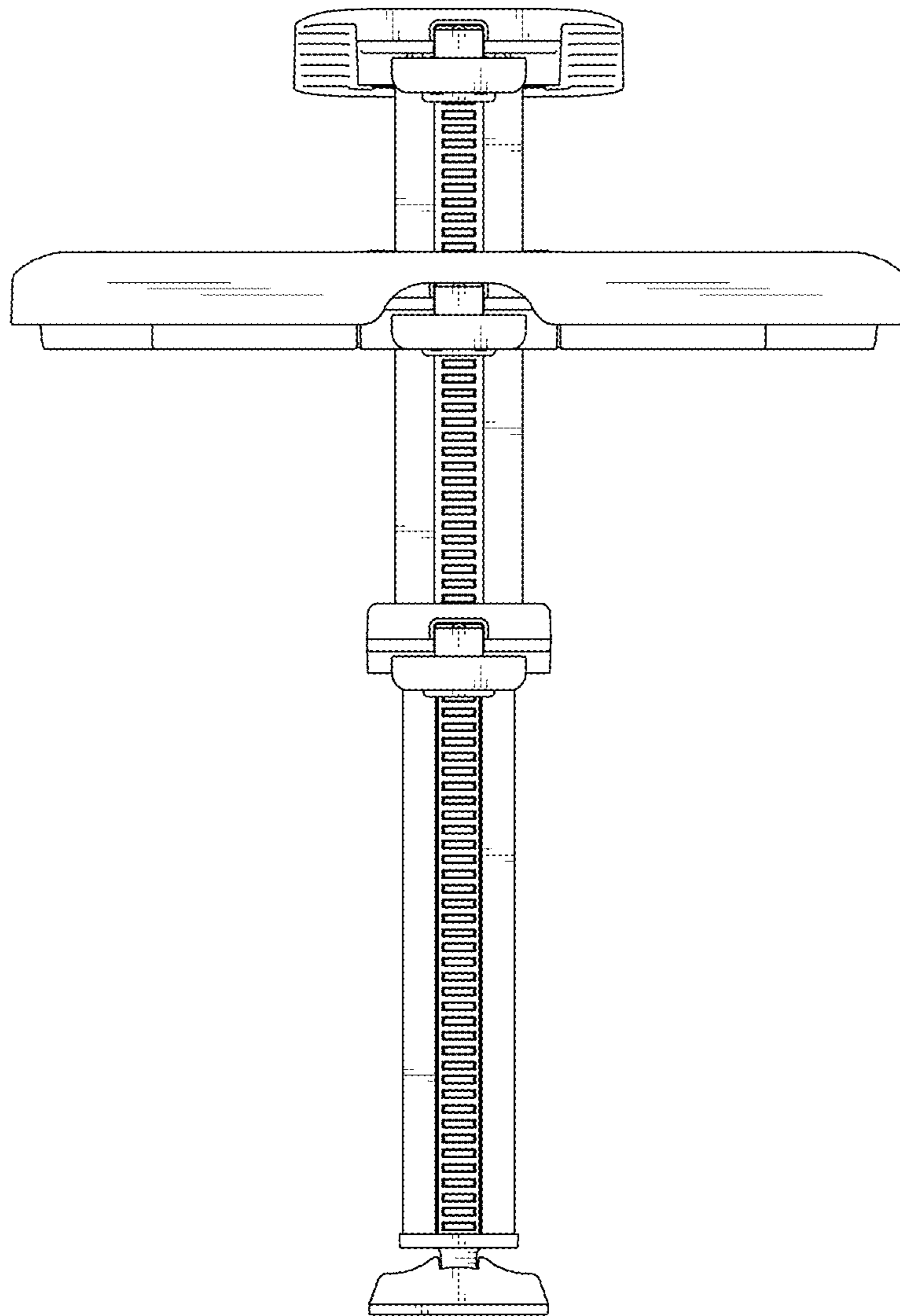


FIG. 3

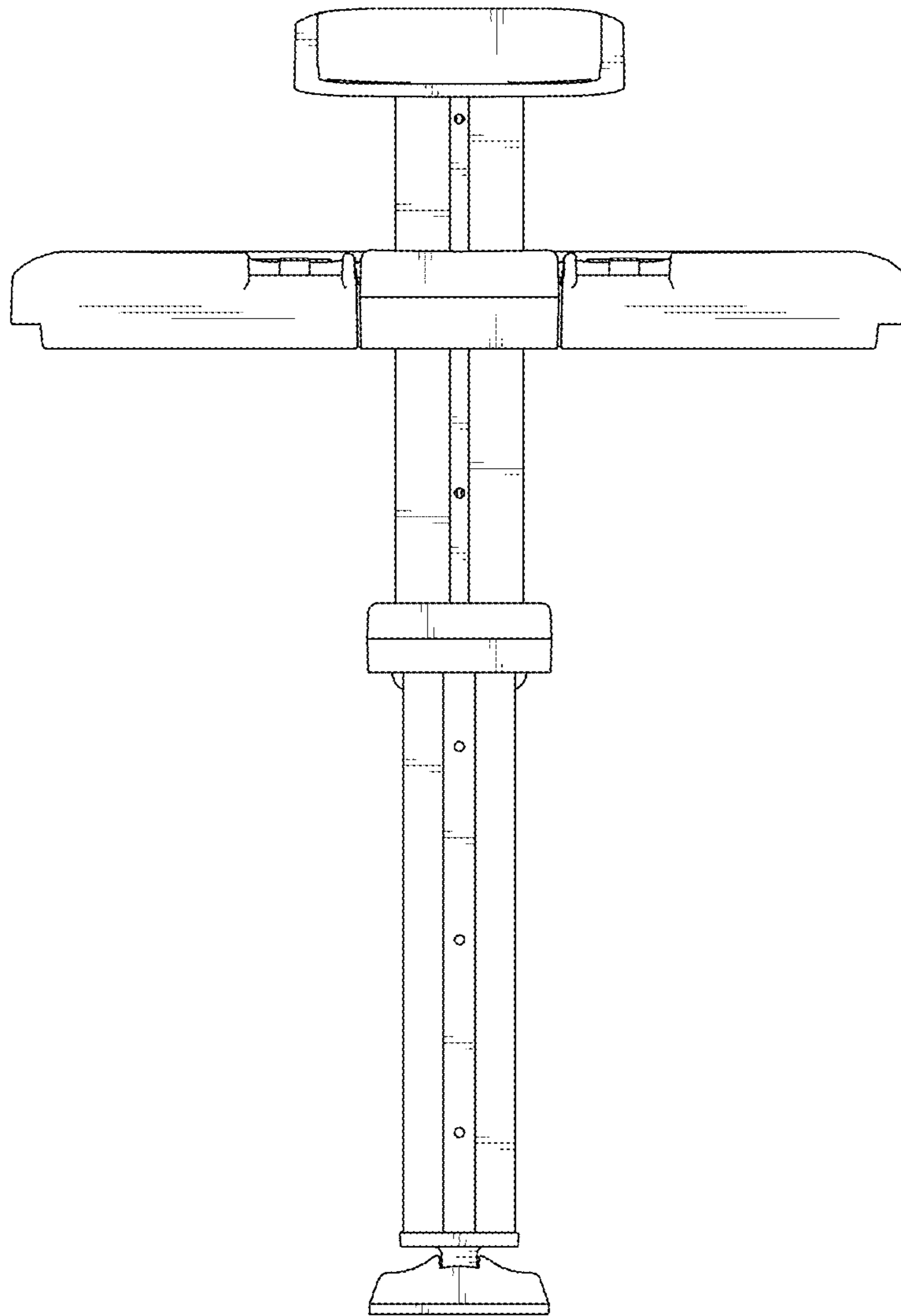


FIG. 4

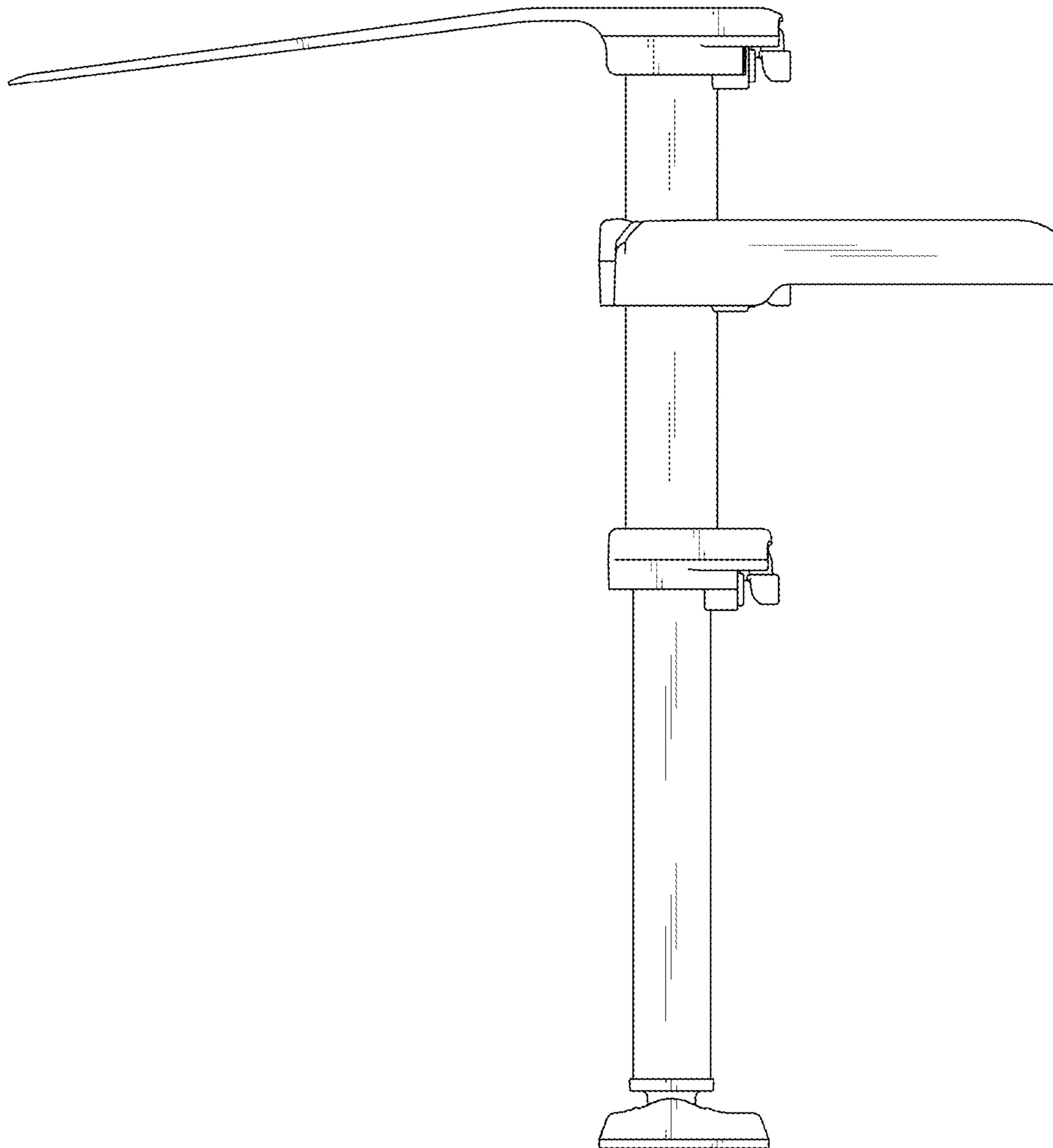


FIG. 5

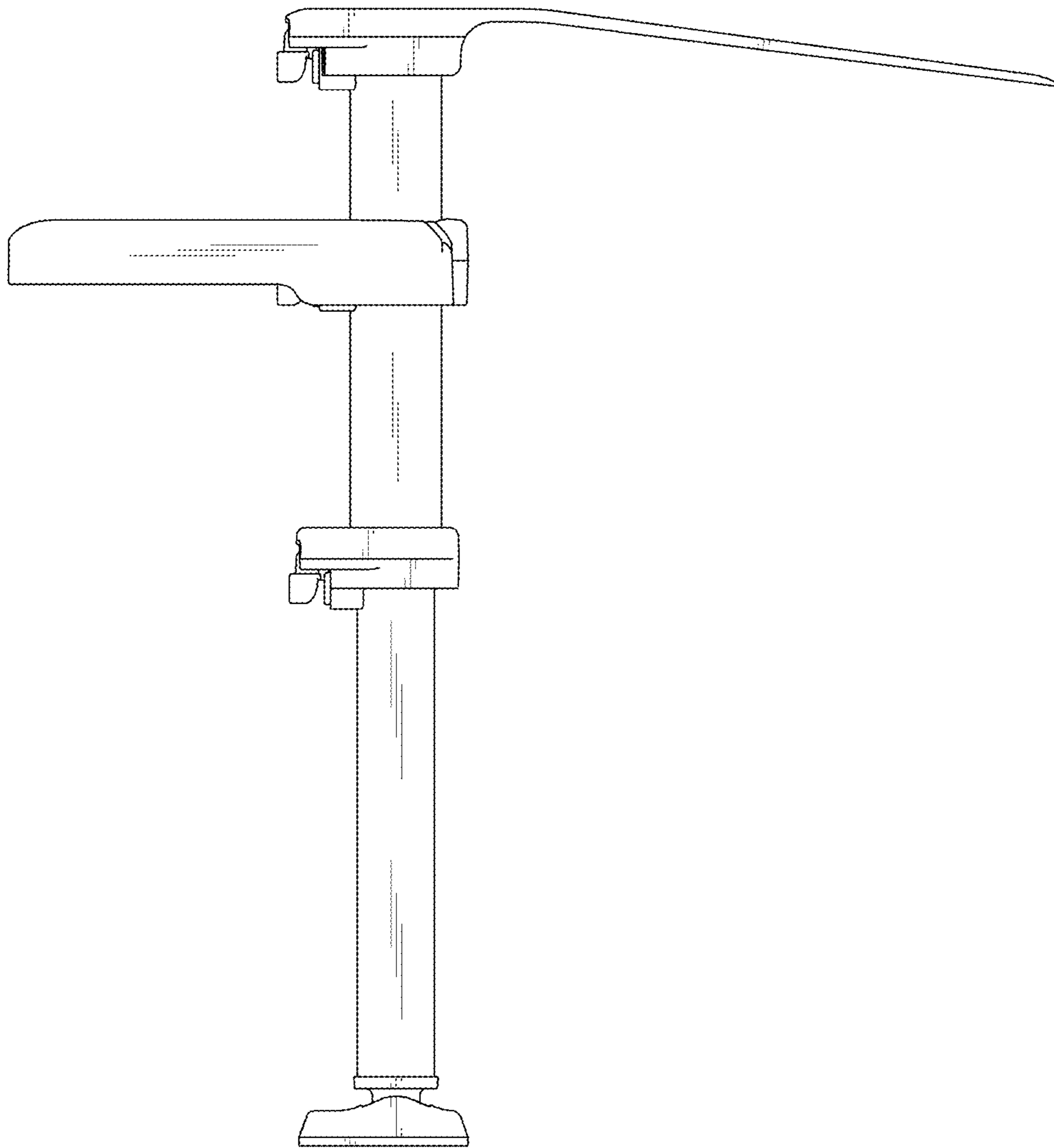


FIG. 6

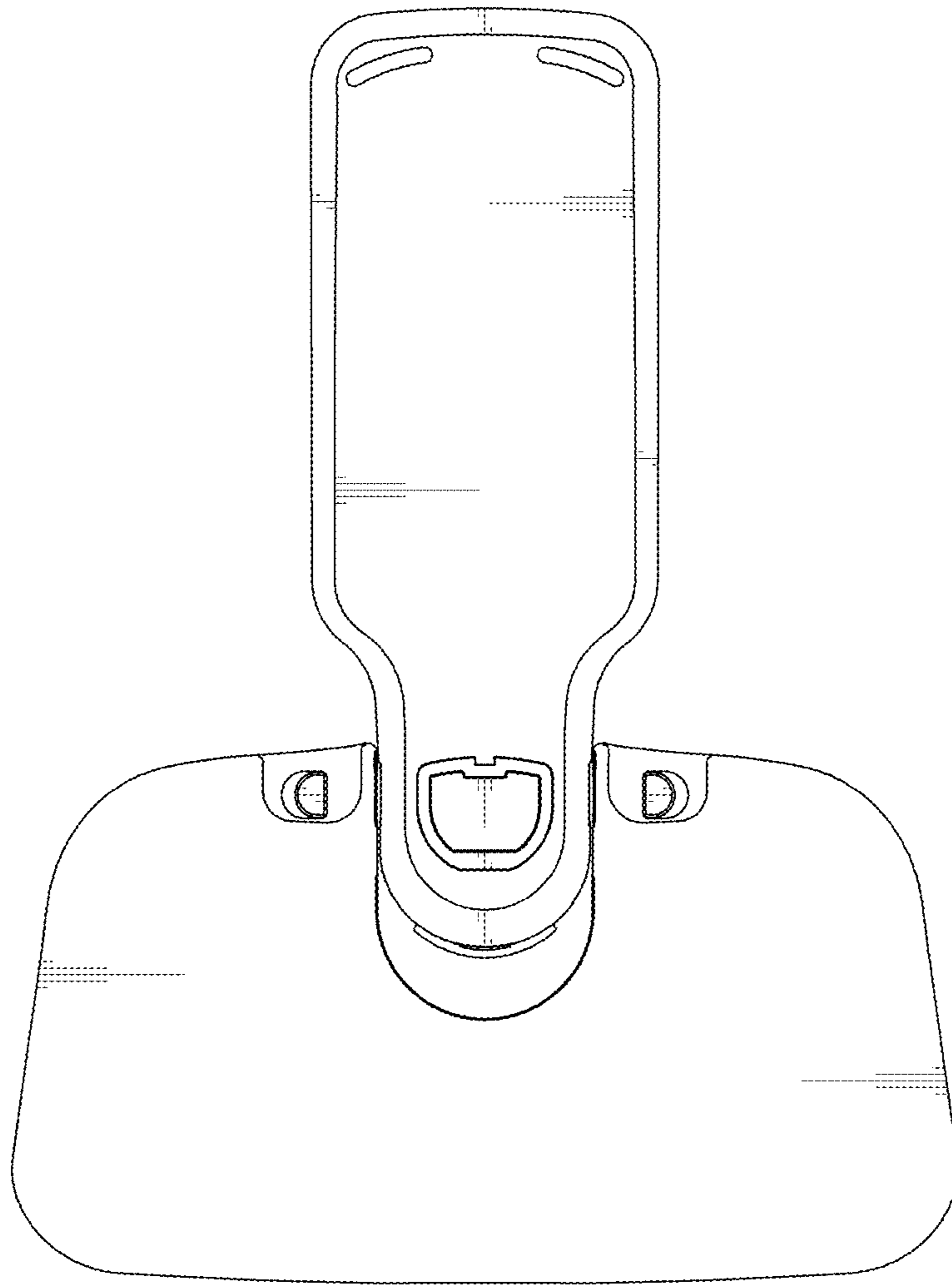


FIG. 7

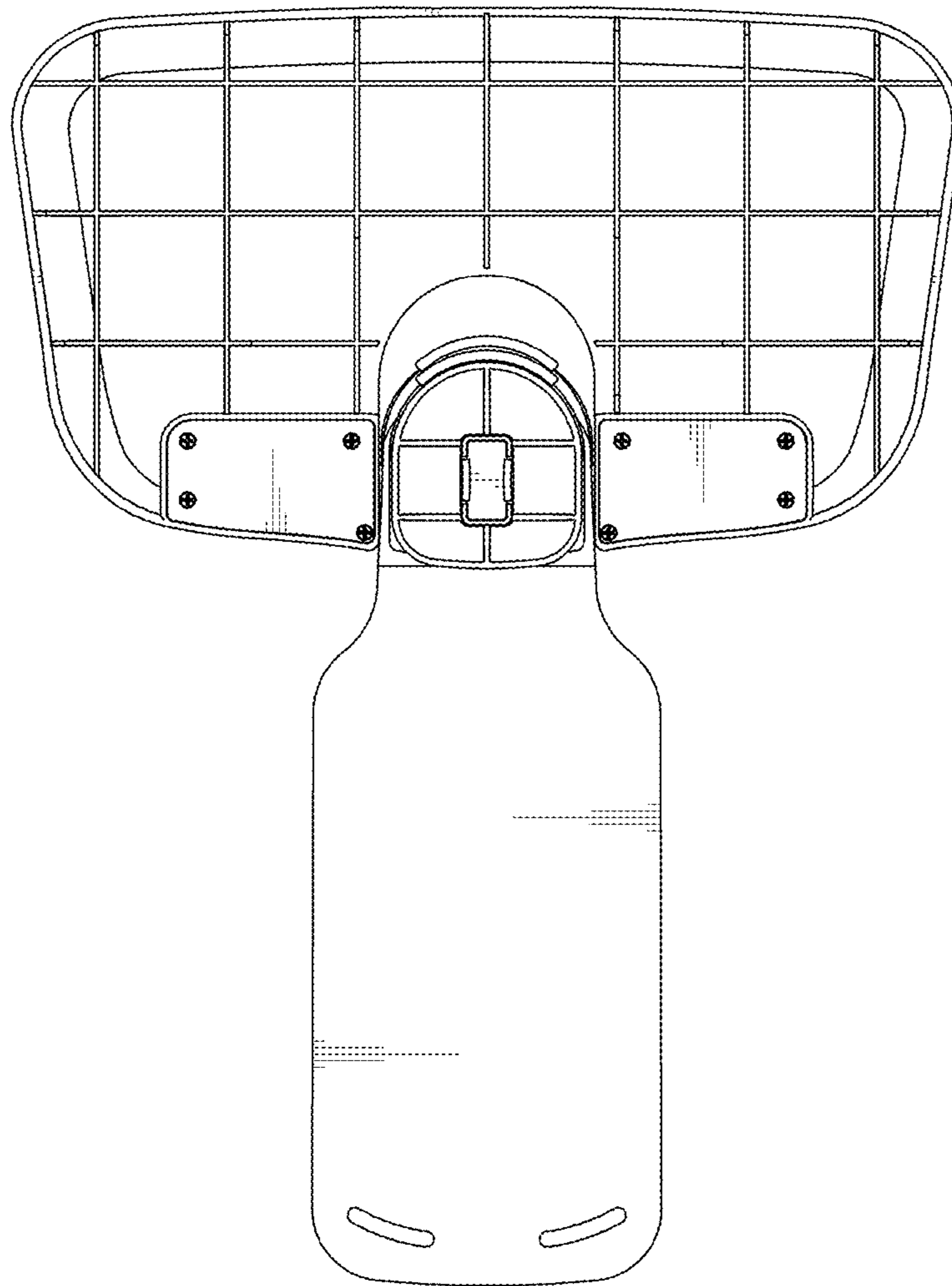


FIG. 8

