



US00D817053S

(12) **United States Design Patent** (10) **Patent No.:** **US D817,053 S**
Arthur et al. (45) **Date of Patent:** **** May 8, 2018**

(54) **WORKSTATION SCREEN**
(71) Applicant: **Williams-Sonoma, Inc.**, San Francisco, CA (US)
(72) Inventors: **Emily S. Arthur**, Los Angeles, CA (US); **Jeffrey C. Hannoosh**, Brooklyn, NY (US)
(73) Assignee: **Williams-Sonoma, Inc.**, San Francisco, CA (US)

8,109,215 B2 * 2/2012 Kitada A47B 21/00
108/50.02
D673,402 S * 1/2013 Kuzyk D6/703
D702,068 S * 4/2014 Mitten D6/706
D728,832 S * 5/2015 Martin D25/138
D784,747 S * 4/2017 Jackson D6/706
D790,882 S * 7/2017 Arthur D6/648
D794,826 S * 8/2017 Fletcher D25/12
D803,418 S * 11/2017 Annibale D25/58
2002/0062933 A1 * 5/2002 Insalaco A47G 5/00
160/351
2017/0273453 A1 * 9/2017 Wu A47B 9/00

(**) Term: **15 Years**

Primary Examiner — Mary Ann Calabrese
(74) *Attorney, Agent, or Firm* — Cook Alex Ltd.; R. Blake Johnston

(21) Appl. No.: **29/555,216**

(22) Filed: **Feb. 19, 2016**

(57) **CLAIM**

(51) **LOC (11) Cl.** **06-06**

The ornamental design for a workstation screen, as shown and described.

(52) **U.S. Cl.**
USPC **D6/714**

DESCRIPTION

(58) **Field of Classification Search**
USPC D6/332, 640, 643, 643.1, 699.5, 702, D6/703.3, 705.4, 705.5, 706, 714; D25/58, 138

CPC A47B 21/02; A47B 96/04; A47B 96/20; A47B 2200/01; A47B 2200/12; A47G 5/00

See application file for complete search history.

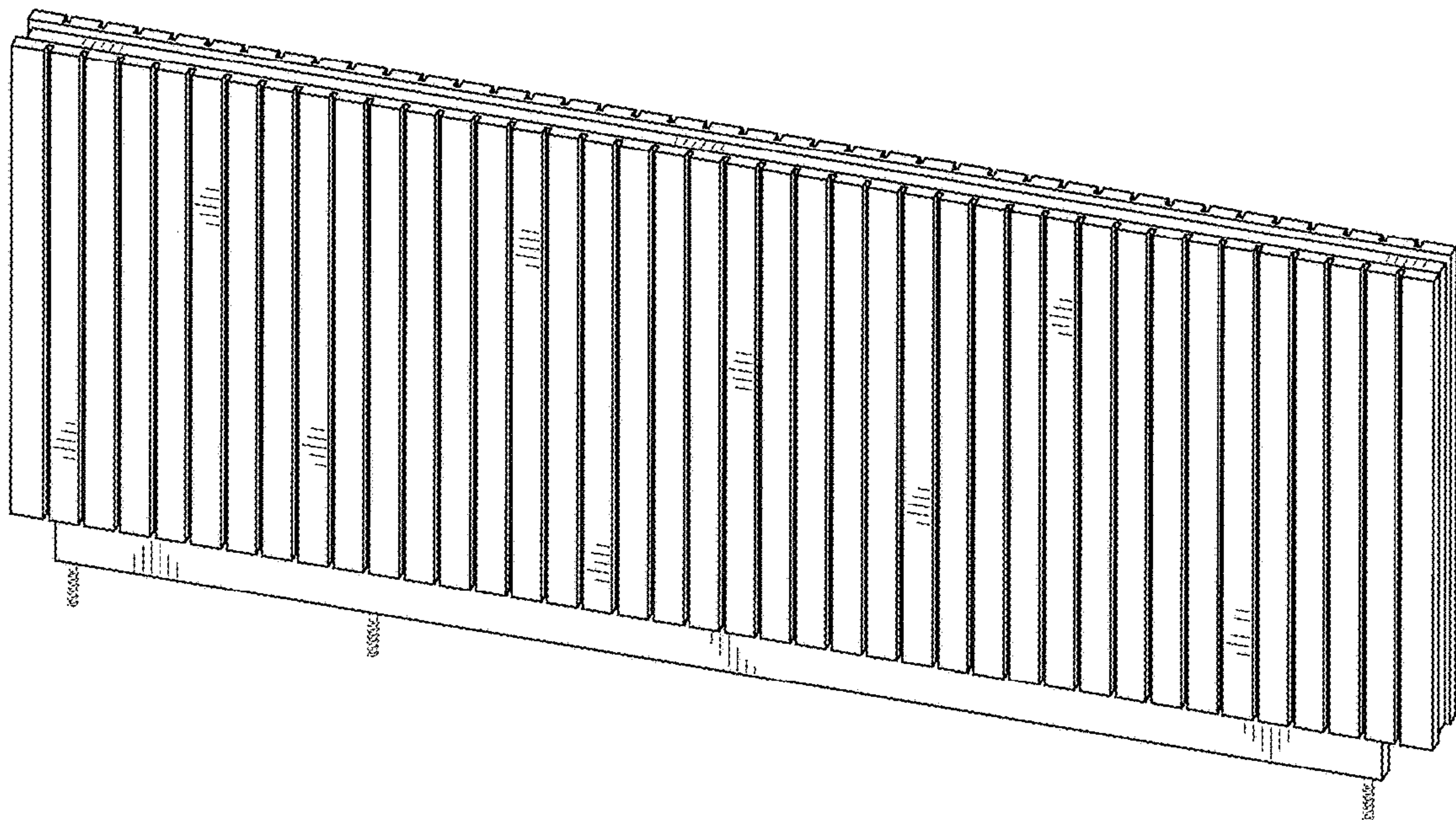
FIG. 1 is a perspective view of the workstation screen;
FIG. 2 is a front elevational view of the workstation screen;
FIG. 3 is a rear elevational view of the workstation screen;
FIG. 4 is a left side elevational view of the workstation screen;
FIG. 5 is a right side elevational view of the workstation screen;
FIG. 6 is a top plan view of the workstation screen; and,
FIG. 7 is a bottom plan view of the workstation screen.
The broken line shown in the drawings are for illustrating portions of the workstation screen that form no part of the claimed design.

(56) **References Cited**

U.S. PATENT DOCUMENTS

D19,172 S * 6/1889 Coffin D6/714
D401,451 S * 11/1998 Sherman D6/682.4
D559,565 S * 1/2008 Bakker D6/332

1 Claim, 3 Drawing Sheets



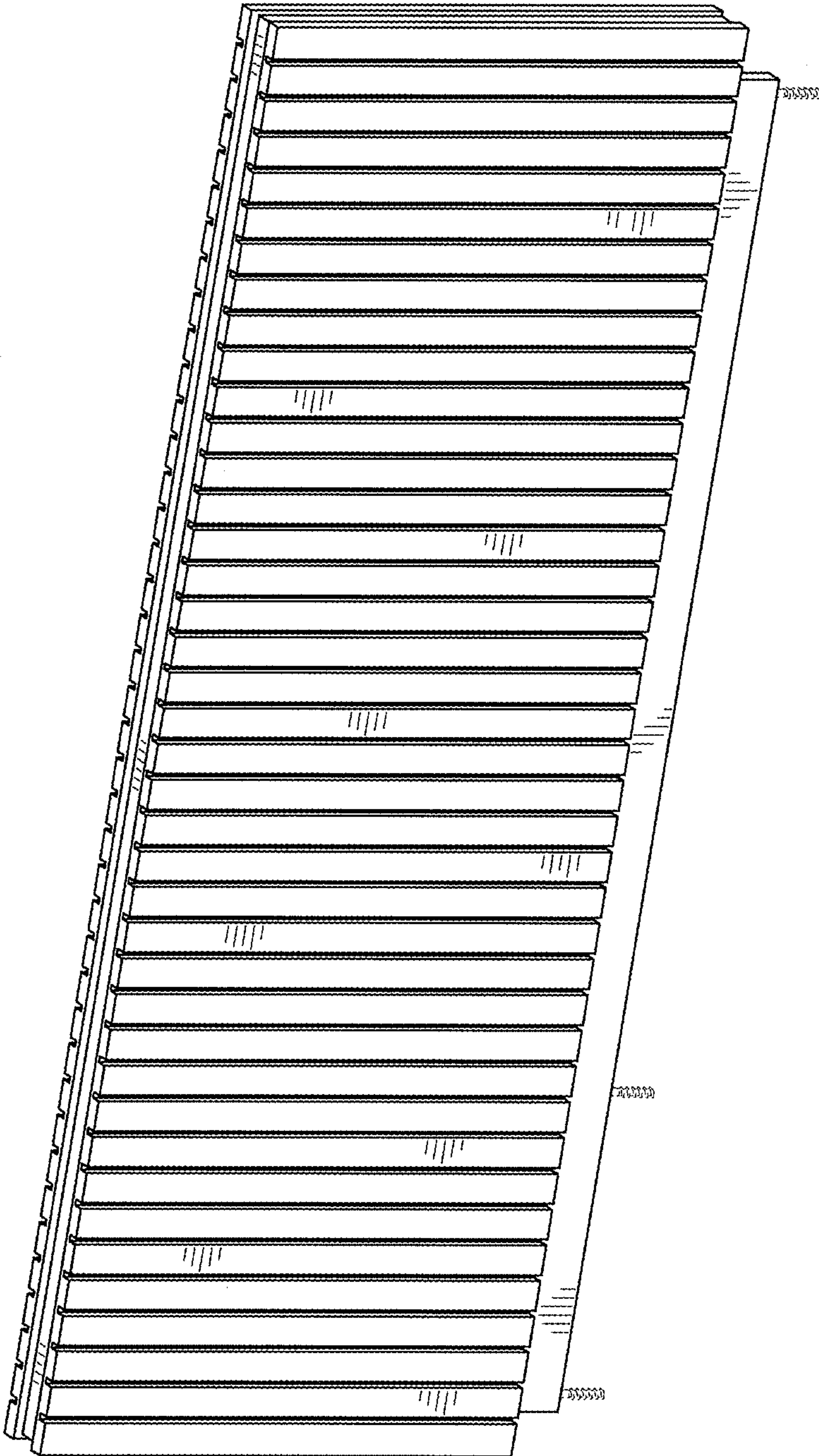


FIG. 1

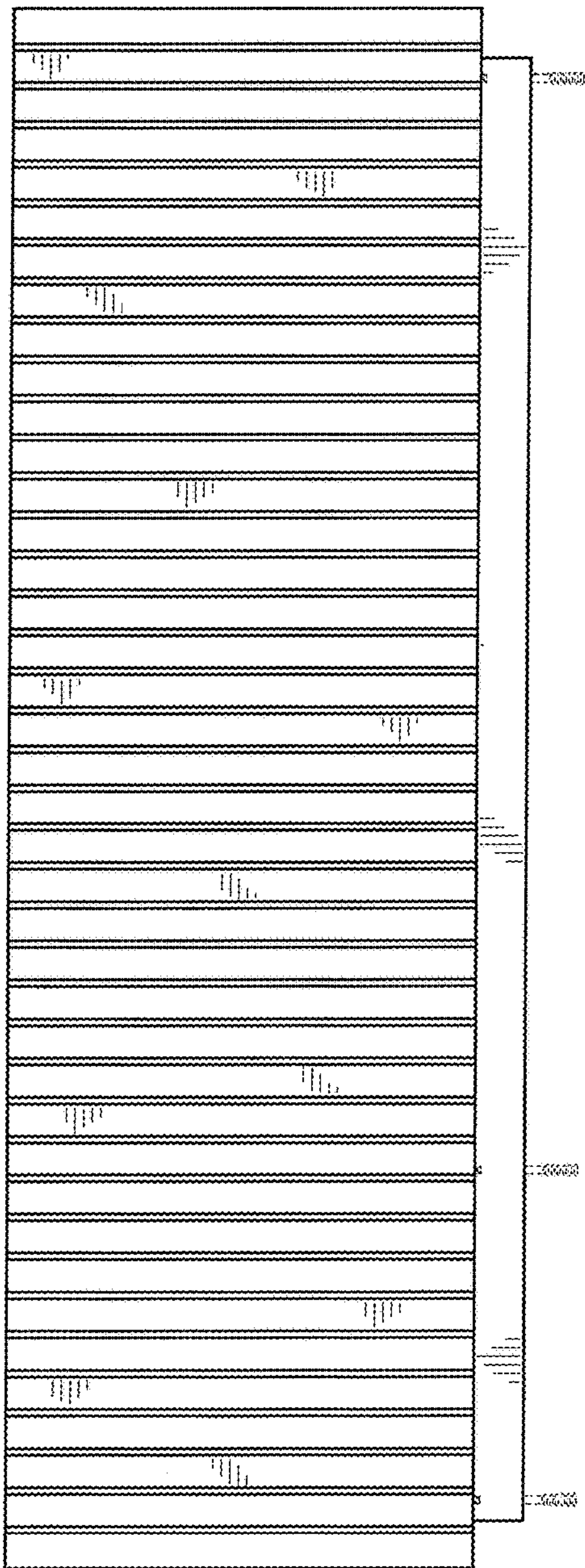


FIG. 2

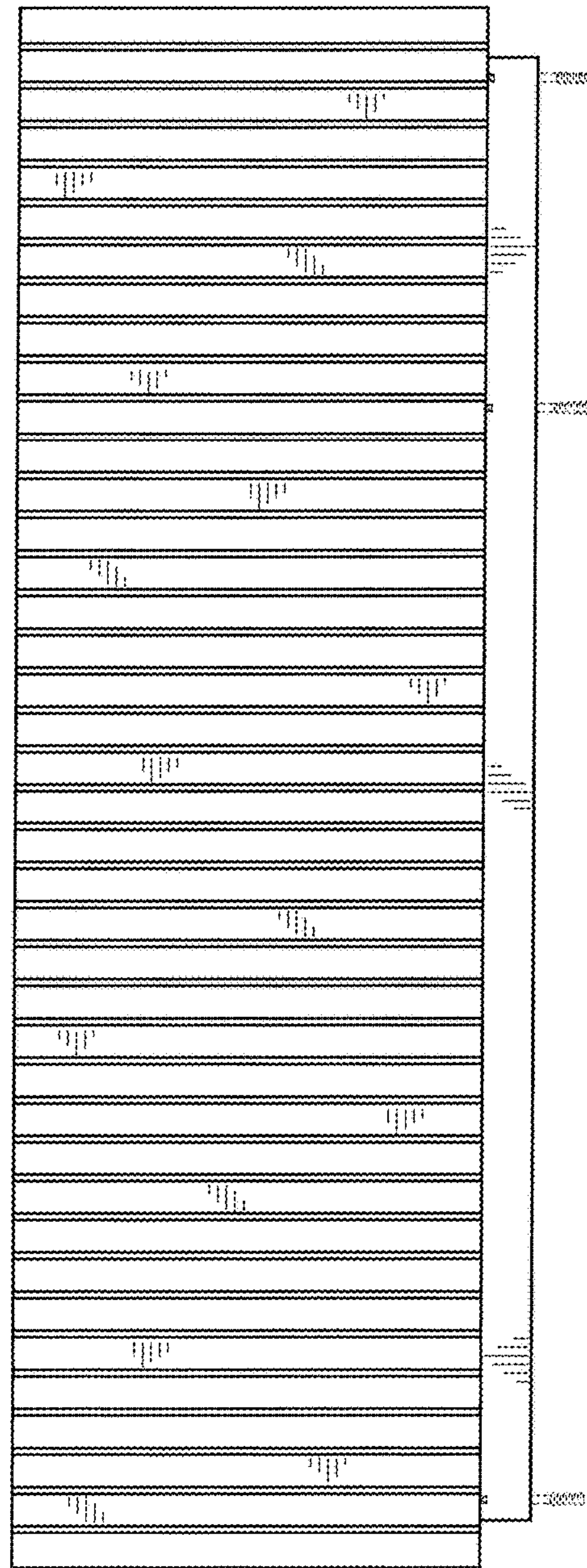


FIG. 3

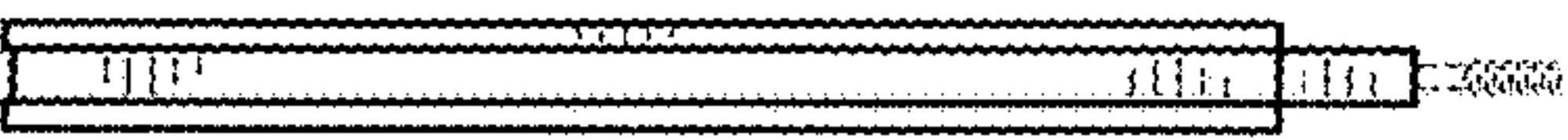


FIG. 4

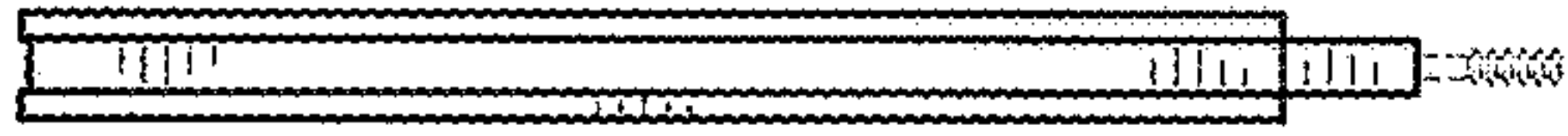


FIG. 5



FIG. 6



FIG. 7