



US00D817051S

(12) **United States Design Patent**
Connors

(10) **Patent No.:** **US D817,051 S**

(45) **Date of Patent:** **** May 8, 2018**

(54) **TABLE BASE**

(71) Applicant: **Sean Connors**, Chicago, IL (US)

(72) Inventor: **Sean Connors**, Chicago, IL (US)

(**) Term: **15 Years**

(21) Appl. No.: **29/585,789**

(22) Filed: **Nov. 29, 2016**

(51) **LOC (11) Cl.** **06-03**

(52) **U.S. Cl.**
USPC **D6/708**

(58) **Field of Classification Search**
USPC D6/685, 686, 688.21, 688.22, 688.23,
D6/688.26, 688.27, 692, 692.1, 692.2,
D6/692.3, 692.4, 692.5, 692.6, 692.7,
D6/692.8, 702, 707.17, 707.18, 707.2,
D6/707.22, 708, 708.16, 708.17, 708.2,
D6/708.22

CPC A47B 1/00; A47B 3/00; A47B 3/02; A47B
7/00; A47B 9/00; A47B 13/00; A47B
13/02; A47B 21/00; A47B 2013/024;
A47B 2013/025; A47B 2013/026; A47B
2200/00; A47B 13/081; A47B 13/10
See application file for complete search history.

(56) **References Cited**

U.S. PATENT DOCUMENTS

2,673,773	A *	3/1954	Dusenbury	A47B 9/16 108/138
3,074,771	A *	1/1963	Wilson	A47B 9/00 108/12
3,490,394	A *	1/1970	Crandall	A47B 3/00 108/115
3,522,778	A *	8/1970	Porath	A47B 3/00 108/153.1
4,824,058	A *	4/1989	Glendinning	A47B 7/00 248/164
D566,997	S *	4/2008	Muller	D26/111
D575,084	S *	8/2008	Jehs	D6/708.17

D679,522	S *	4/2013	Hamill	D6/692
8,418,982	B1 *	4/2013	Vatus	A47B 13/02 108/158.12
D702,976	S *	4/2014	Mark	D6/708
D770,208	S *	11/2016	Muller	D6/708
D785,385	S *	5/2017	Traeger	D6/692

OTHER PUBLICATIONS

Firstbiz.co, posted at Lindaberner.com, posted on Aug. 22, 2016, site visited Jan. 26, 2018. online, available from internet: <http://lindaberner.com/wp-content/uploads/2015/06/furniture-glass-top-low-round-coffee-table-with-wooden-base-painted-with-white-color-for-modern-living-room-design-ideas-low-coffee-table-low-coffee->*
JPEG 300x225, posted at Nationalpost.com, posted on Oct. 14, 2014, site visited Jan. 26, 2018. online, available from internet: https://nationalpostcom.files.wordpress.com/2014/10/aibiza_chrome-jpeg.jpg?w=140.*

(Continued)

Primary Examiner — Mary Ann Calabrese
Assistant Examiner — Catherine Ho
(74) *Attorney, Agent, or Firm* — Moreno IP Law LLC

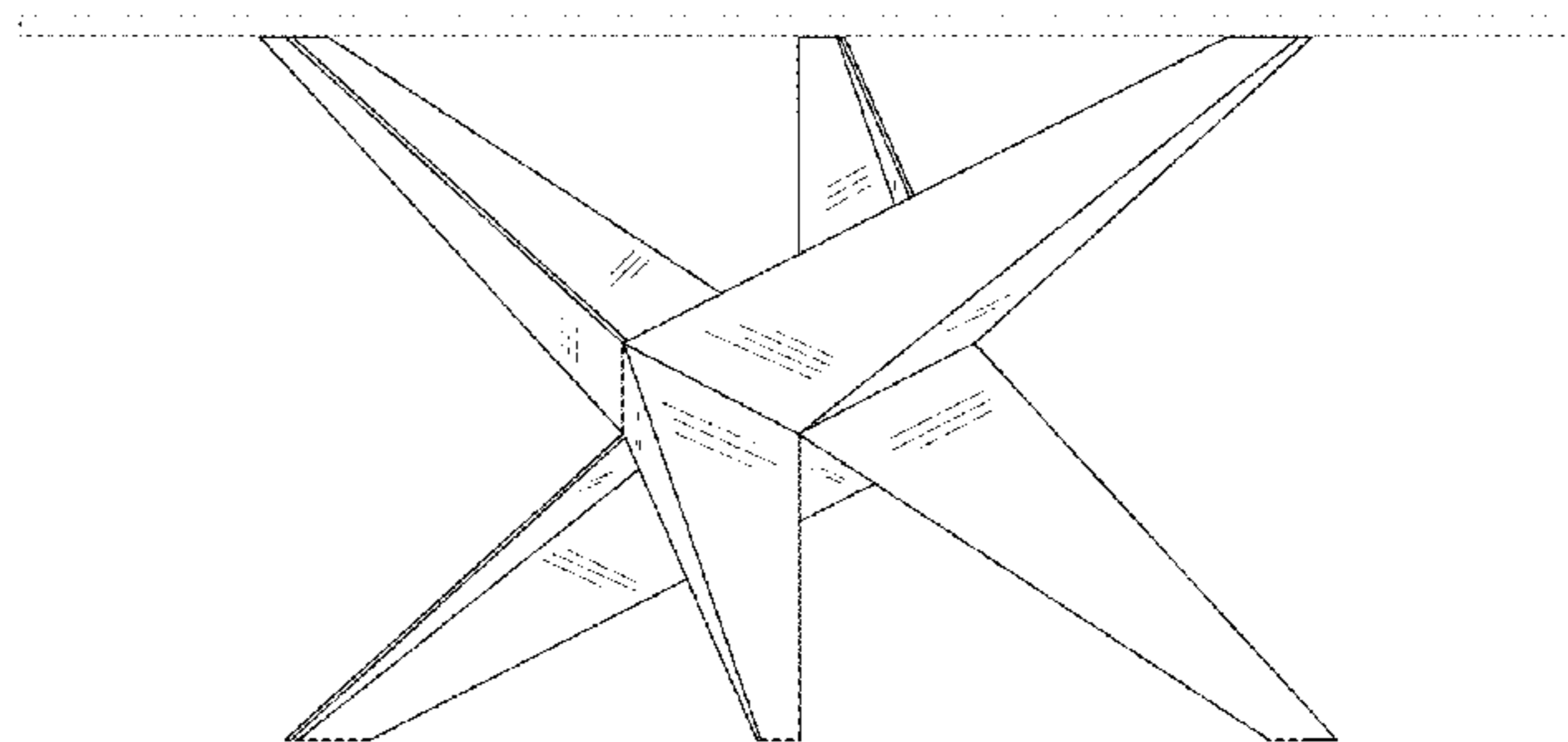
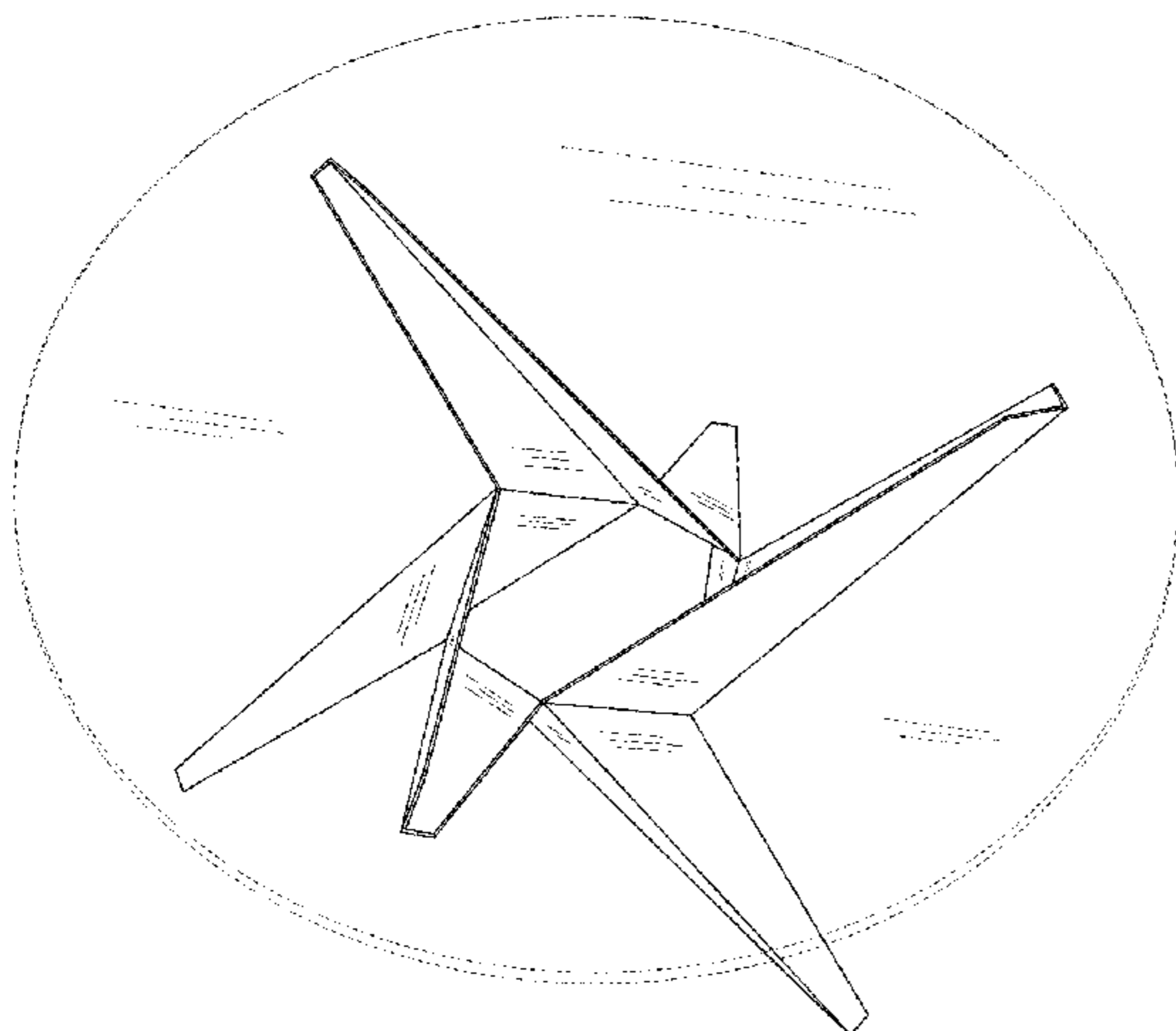
(57) **CLAIM**

I claim the ornamental design for a table base, as shown and described.

DESCRIPTION

FIG. 1 is a perspective view of a table base showing my new design
FIG. 2 is a top plan view thereof.
FIG. 3 is a bottom plan view thereof.
FIG. 4 is a front side elevational view thereof.
FIG. 5 is a back side elevational view thereof.
FIG. 6 is a left side elevational view thereof; and,
FIG. 7 is a right side elevational view thereof.
The broken lines showing a glass top in the figures depict environment matter and form no part of the claimed design.

1 Claim, 5 Drawing Sheets



(56)

References Cited

OTHER PUBLICATIONS

Dean Round Coffee Table, posted at Behance.net, posted on Dec. 31, 2013, site visited Jan. 26, 2018. online, available from internet: <https://www.behance.net/gallery/13440809/DEAN-Round-Coffee-Table>.*

Lock bamboo coffee table, posted at Behance.net, posted on Jun. 27, 2016, site visited Jan. 26, 2018. online, available from internet: <https://www.behance.net/gallery/38858895/LOCK-bamboo-coffee-table>.*

* cited by examiner

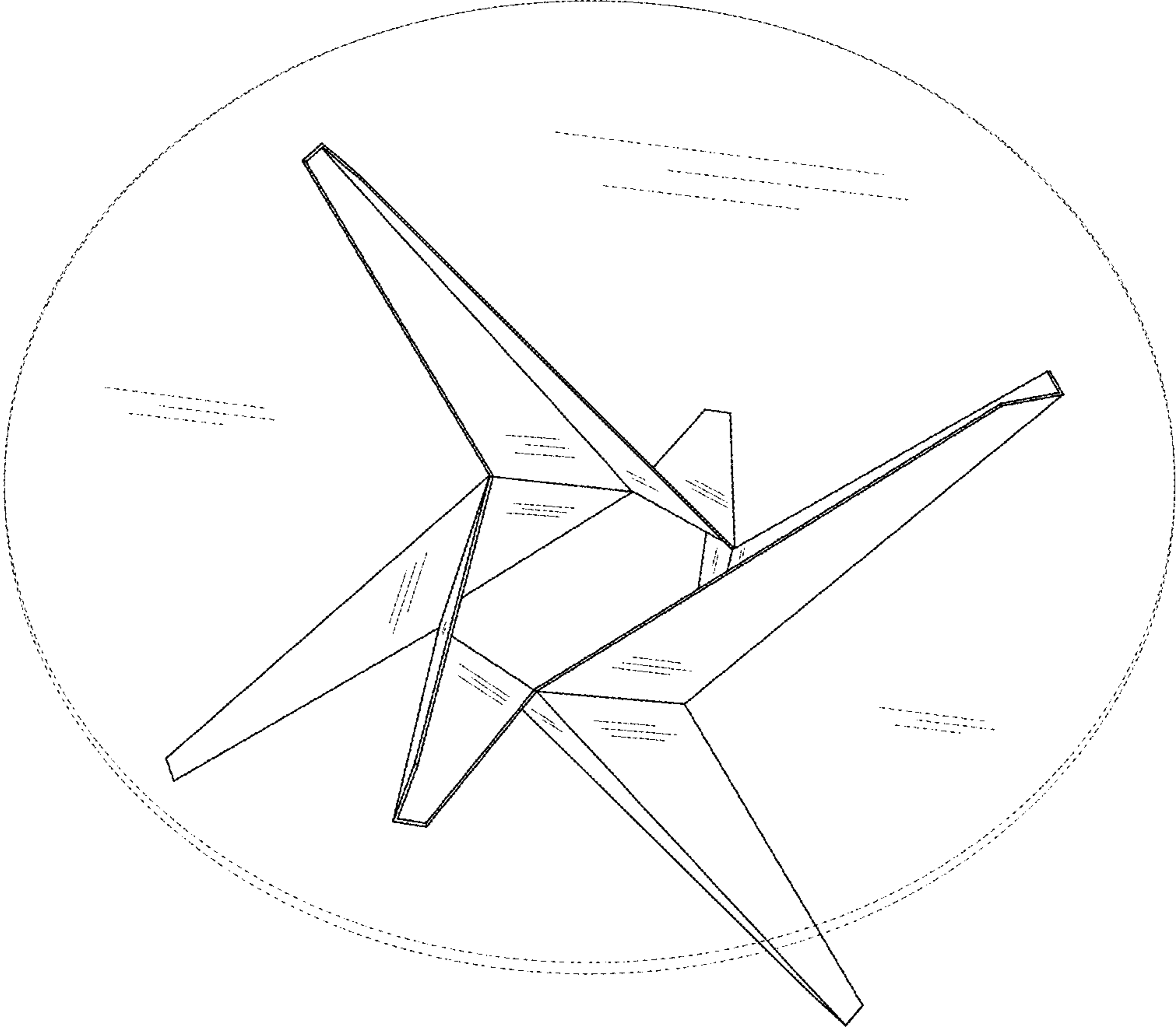


FIG. 1

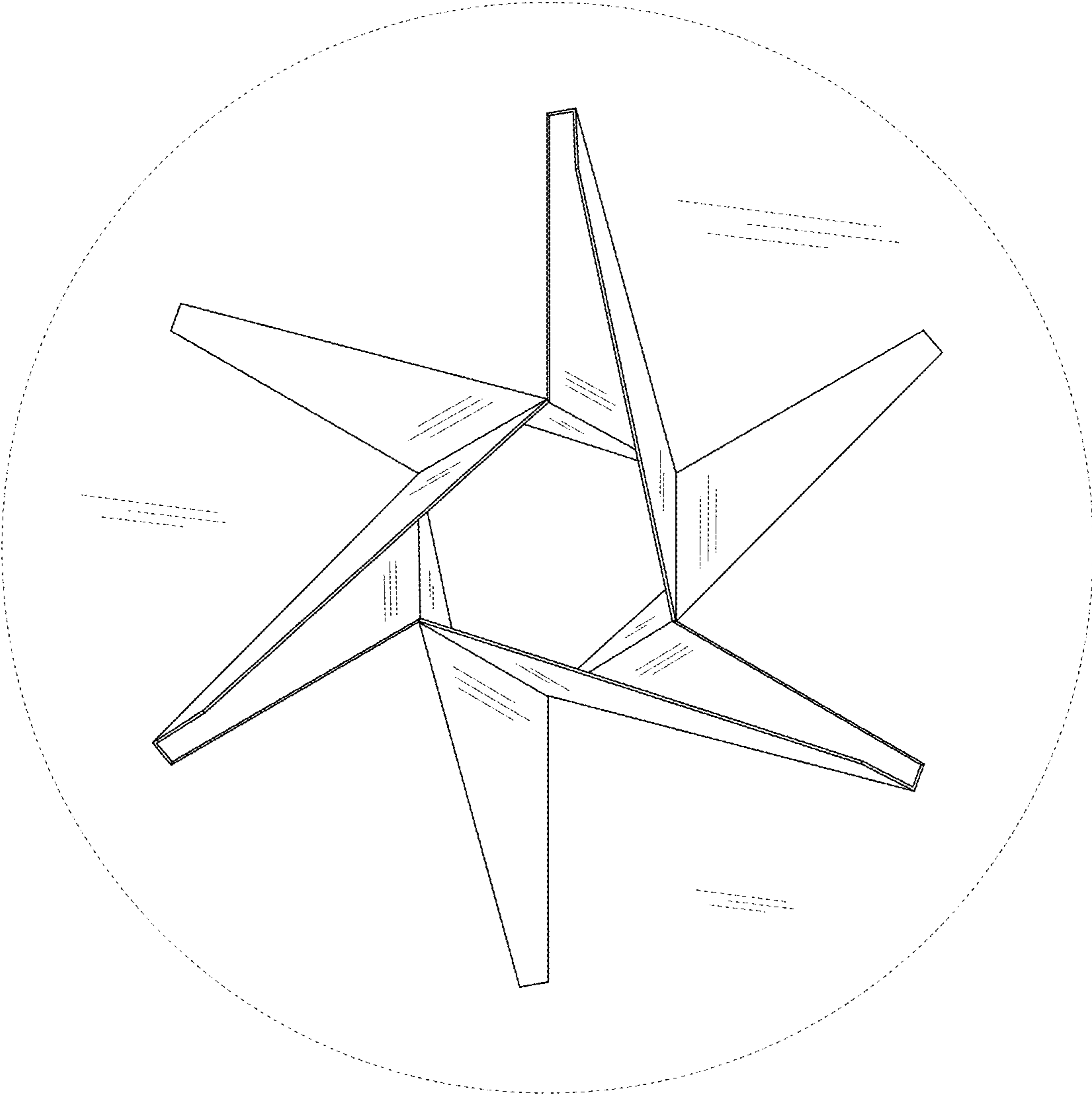


FIG. 2

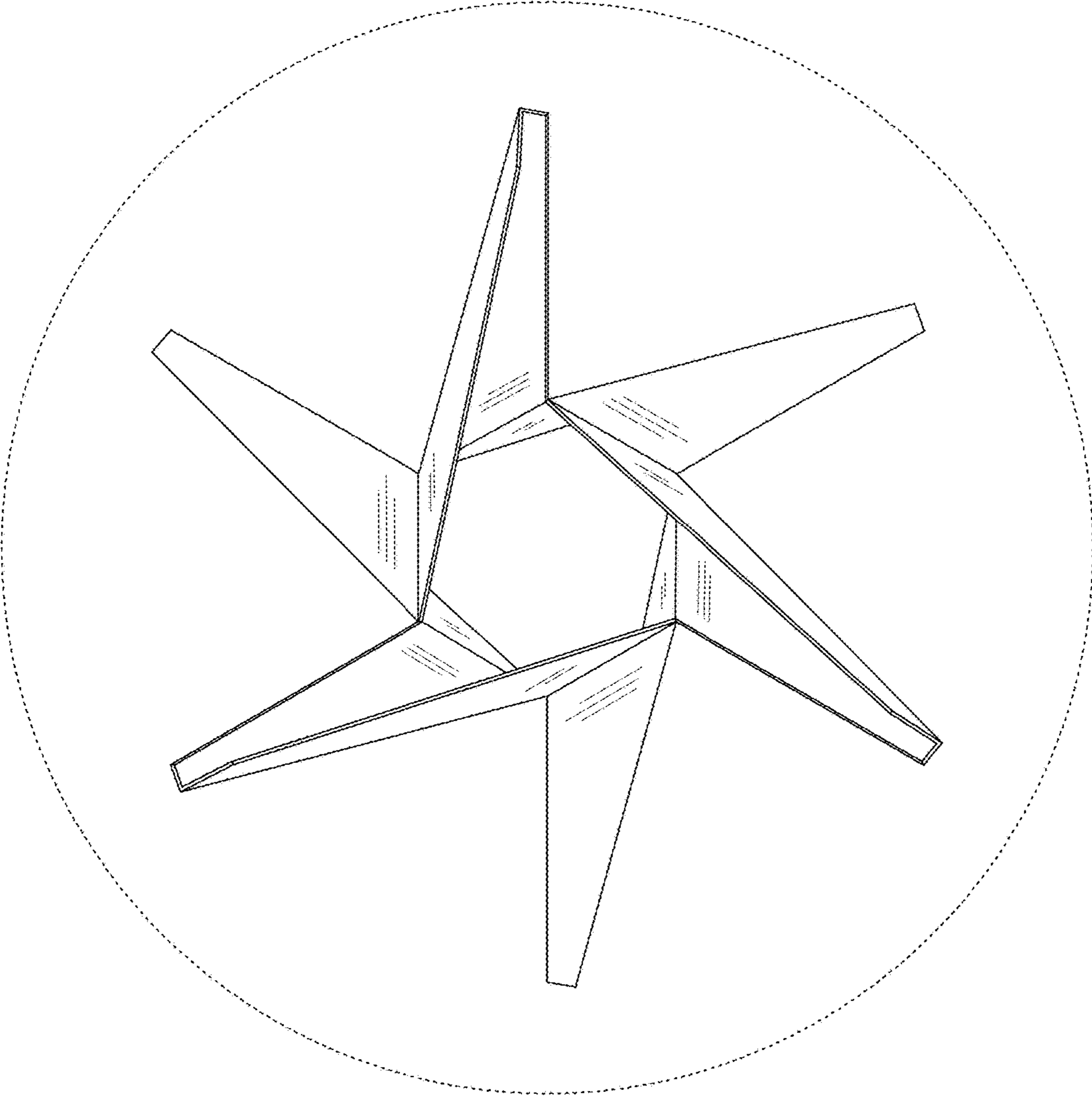


FIG. 3

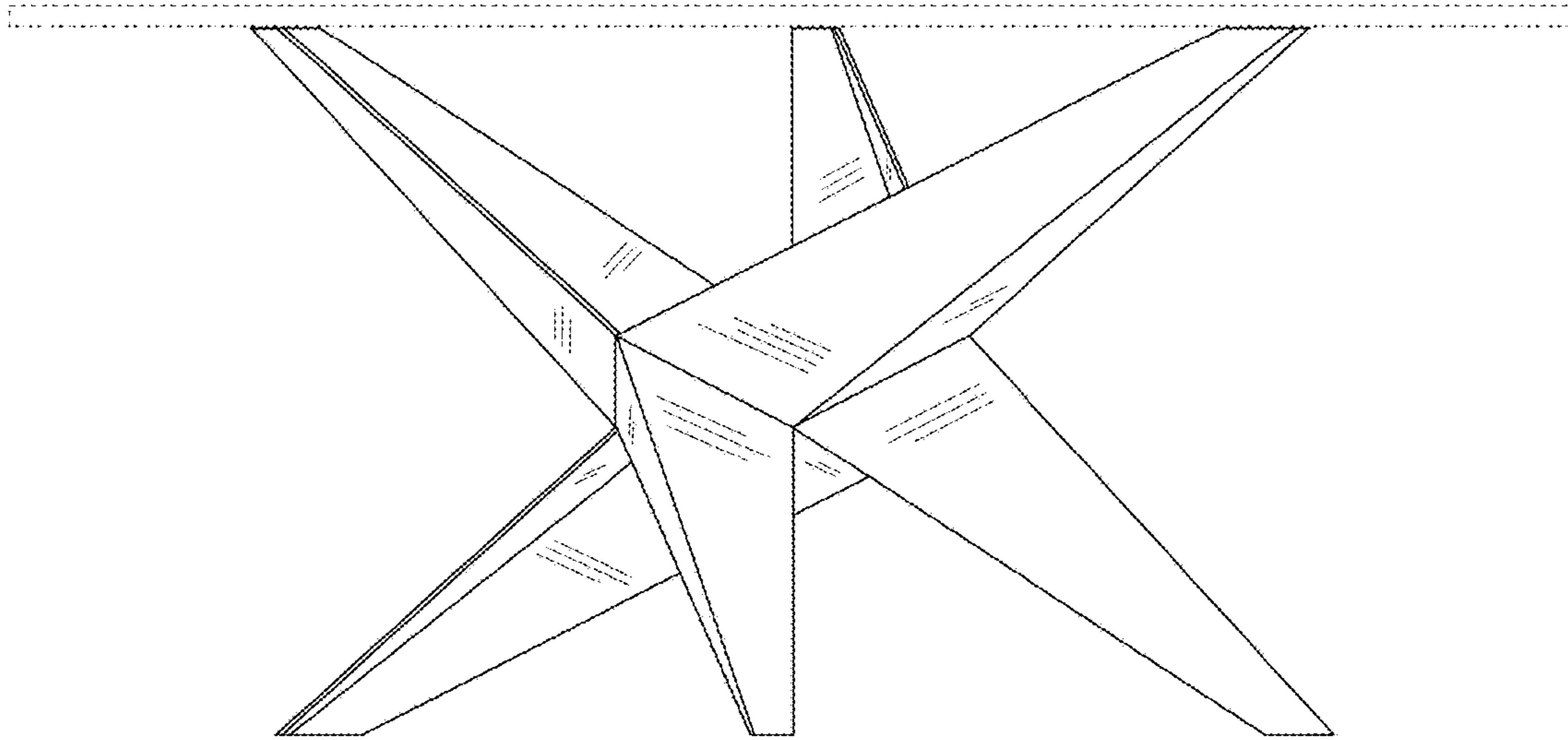


FIG. 4

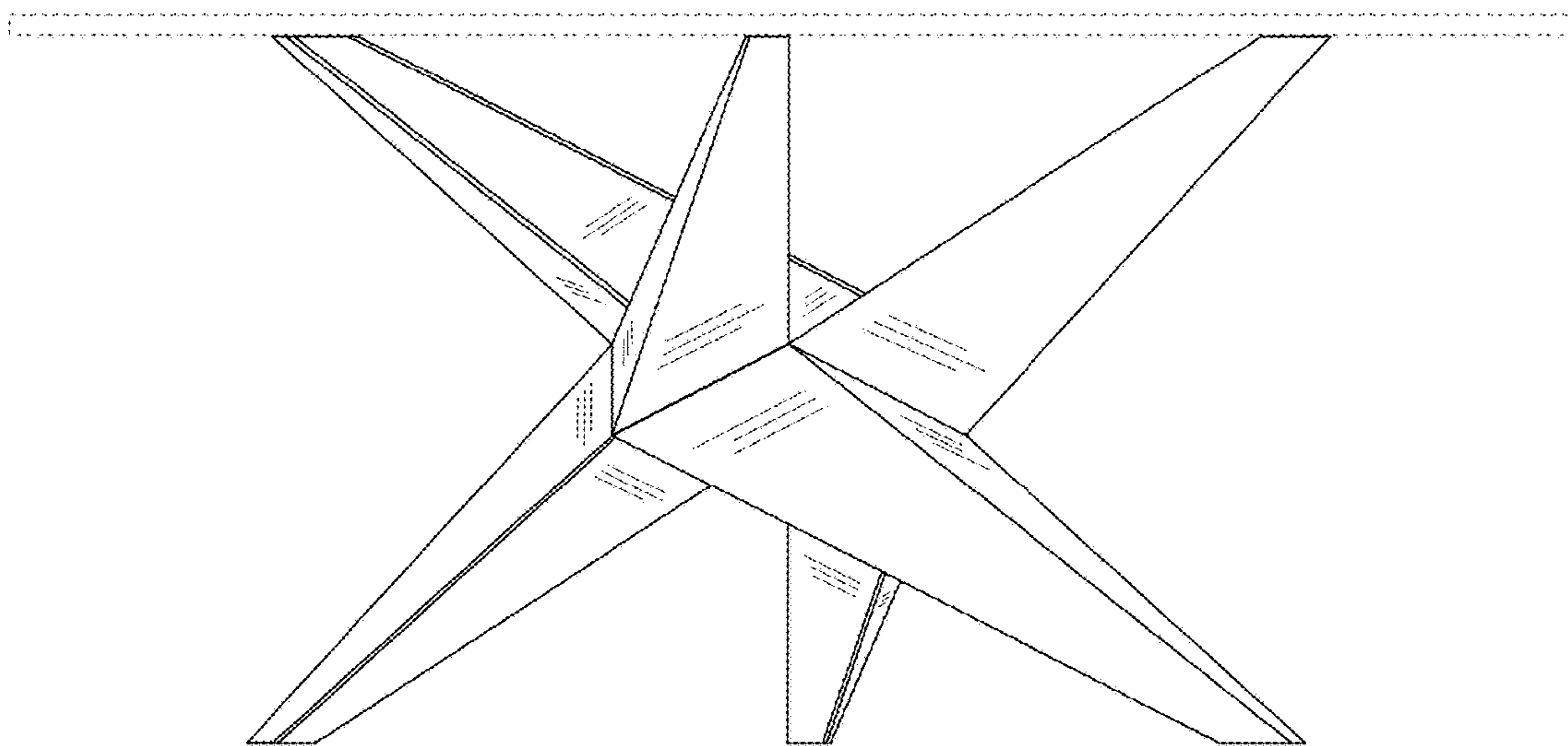


FIG. 5

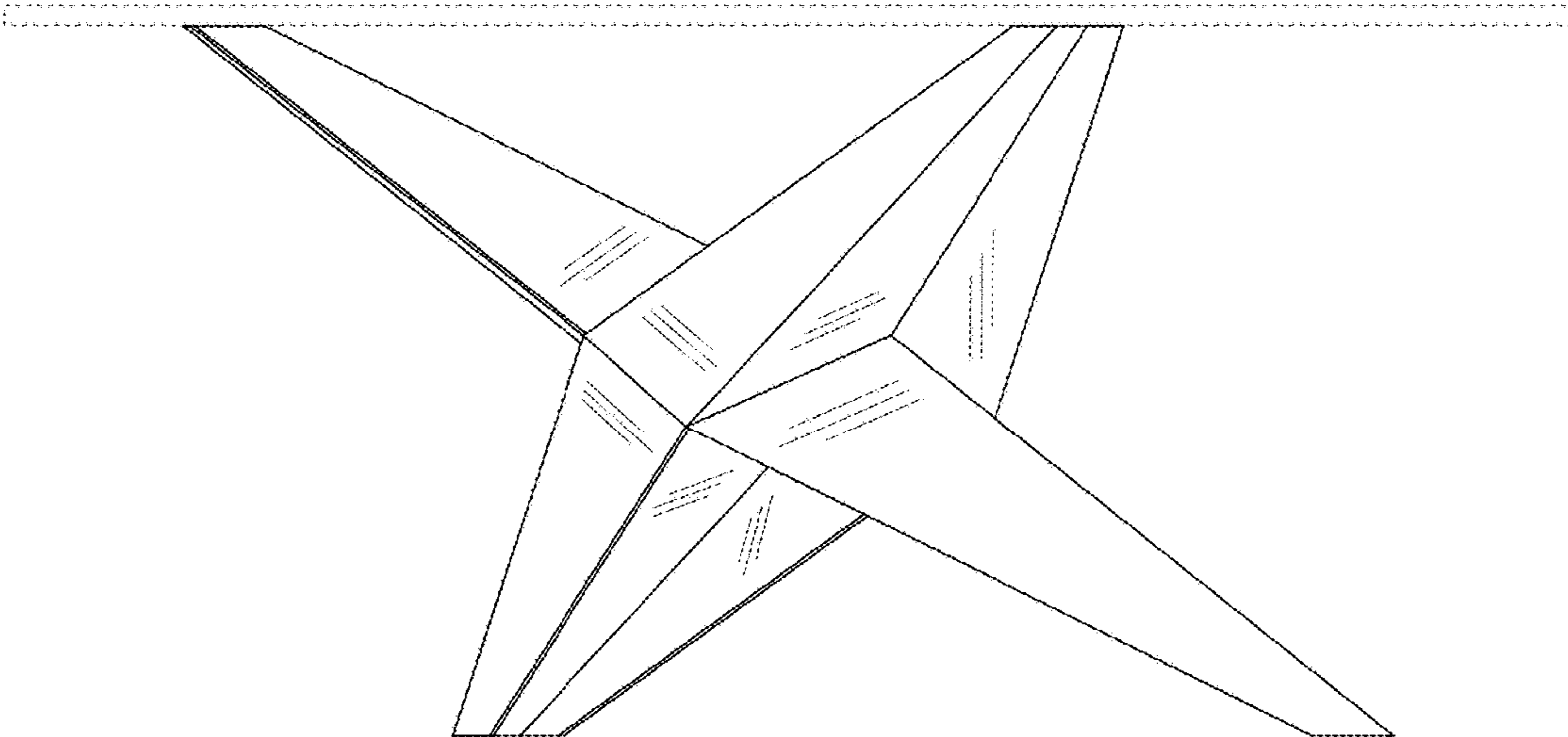


FIG. 6

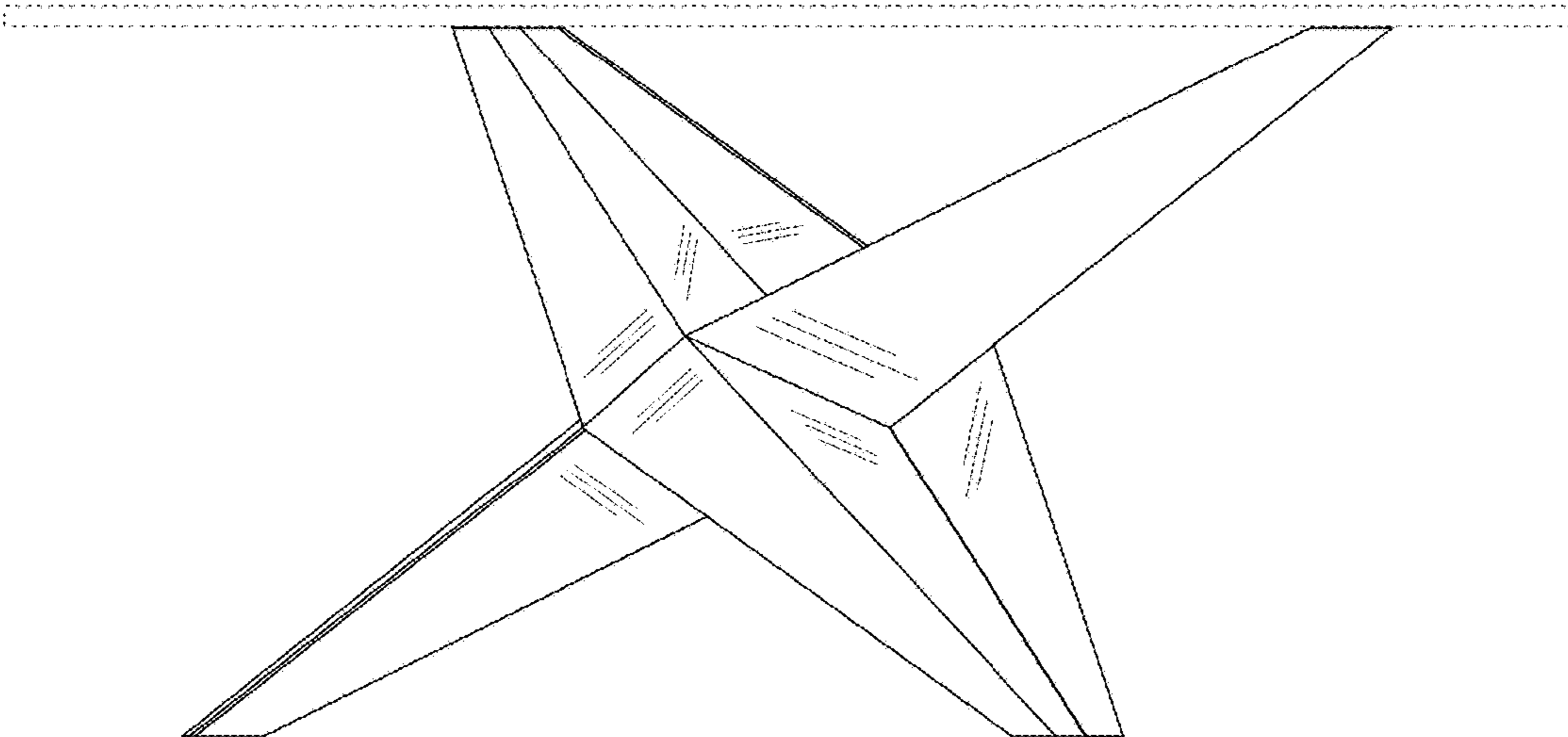


FIG. 7