



US00D817049S

(12) **United States Design Patent**
McNutt et al.

(10) **Patent No.:** **US D817,049 S**

(45) **Date of Patent:** **** May 8, 2018**

(54) **DRAWER FACE PANEL**

(71) Applicant: **Clarity Consulting Group, LLC**,
Visalia, CA (US)

(72) Inventors: **Donovan McNutt**, Visalia, CA (US);
Mark Schoening, Portland, OR (US);
Patrick Scranton, Vancouver, WA (US)

(73) Assignee: **Clarity Consulting Group, LLC**,
Visalia, CA (US)

(**) Term: **15 Years**

(21) Appl. No.: **29/562,345**

(22) Filed: **Apr. 25, 2016**

(51) **LOC (11) Cl.** **06-04**

(52) **U.S. Cl.**
USPC **D6/705.5**

(58) **Field of Classification Search**
USPC D6/663, 664, 664.1, 671, 671.1, 671.2,
D6/671.3, 671.4, 705, 705.5; D3/297
CPC A47B 17/04; A47B 47/03; A47B 67/00;
A47B 67/04; A47B 88/00; A47B 88/40;
A47B 77/00
See application file for complete search history.

(56) **References Cited**

U.S. PATENT DOCUMENTS

D207,483 S * 4/1967 Dottinger D6/705.5
D328,399 S * 8/1992 McGrory D3/297

D339,939 S * 10/1993 Brandon D6/705.5
D365,224 S * 12/1995 Pohlman 6/671.1
D370,572 S * 6/1996 Lin 6/671.1
D417,571 S * 12/1999 Teufel D6/705.5
D456,175 S * 4/2002 Golembeski 6/671.1
D458,780 S * 6/2002 Siepmann D6/705.5
D483,206 S * 12/2003 Schweikarth D6/705.5
D511,061 S * 11/2005 Ben-Or D3/297

* cited by examiner

Primary Examiner — Mimosa De

(74) *Attorney, Agent, or Firm* — Mark D. Miller

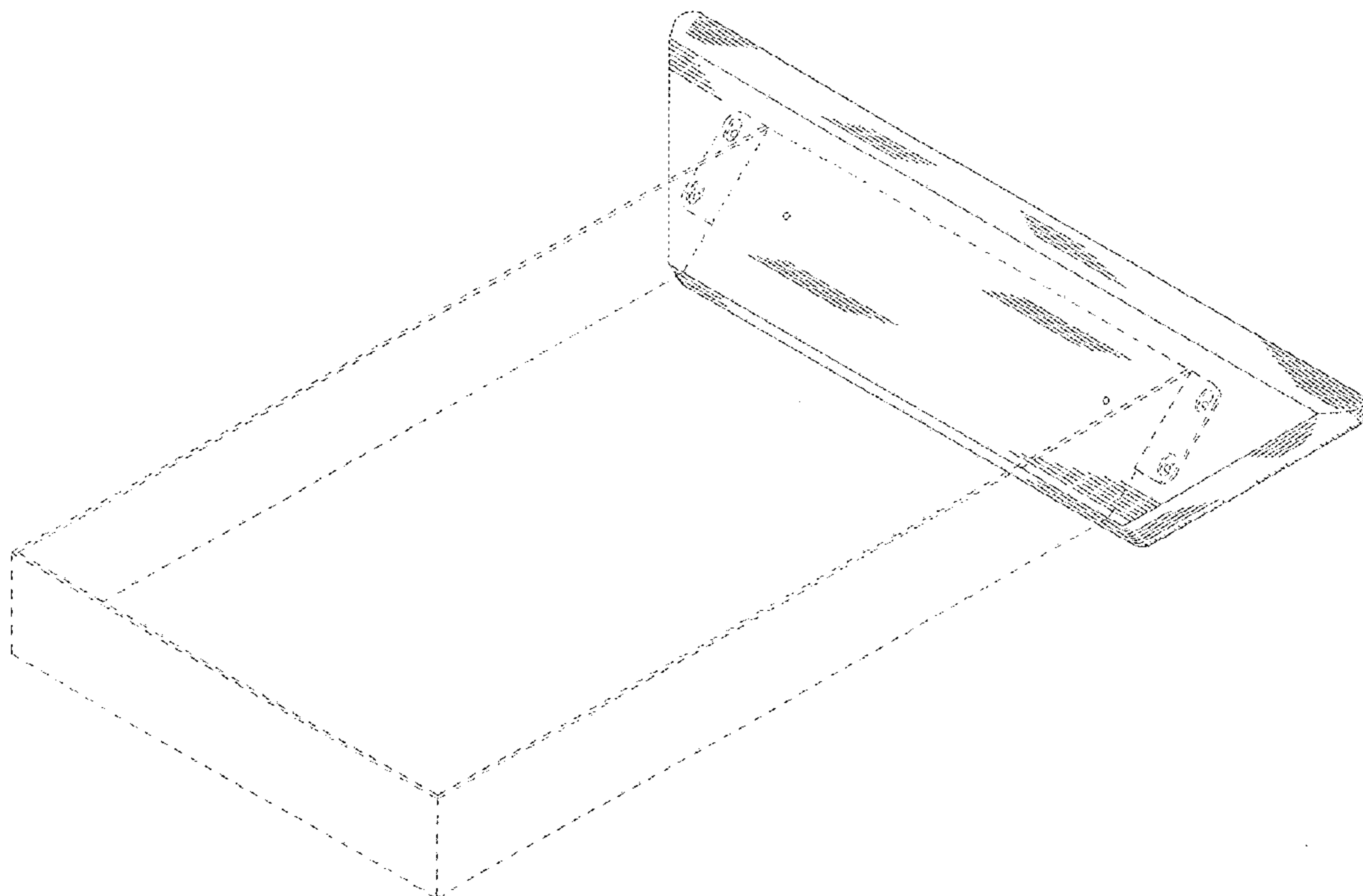
(57) **CLAIM**

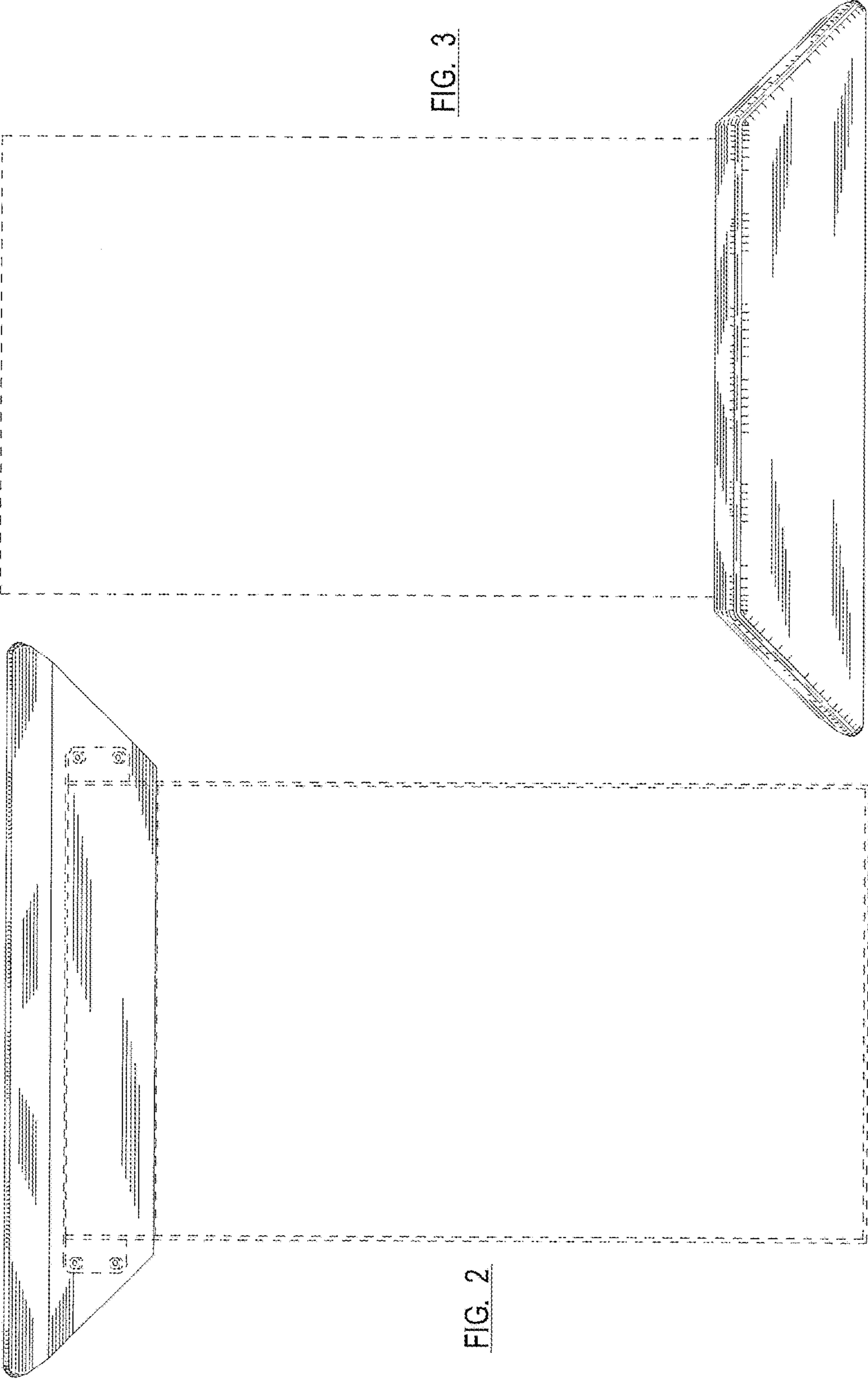
We claim the ornamental design for a drawer face panel, as shown and described.

DESCRIPTION

FIG. 1 is a top perspective view of a cord tray showing our new design;
FIG. 2 is a top plan view thereof;
FIG. 3 is a bottom plan view thereof;
FIG. 4 is a rear elevational view thereof;
FIG. 5 is a front elevational view thereof;
FIG. 6 is a right side elevational view thereof; and,
FIG. 7 is a left side elevational view thereof.
The broken lines on the surface portion indicate contour and not surface decoration. The broken lines showing a sample drawer body are not part of the claimed design.

1 Claim, 4 Drawing Sheets





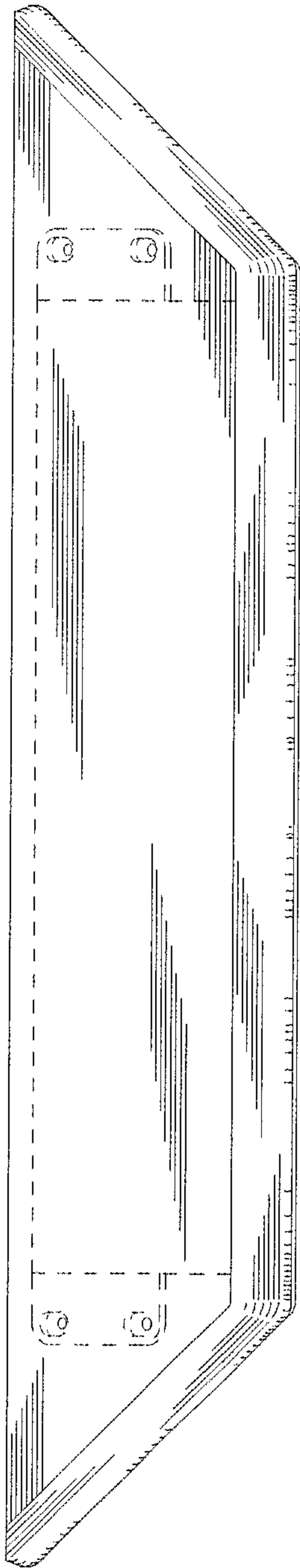


FIG. 4

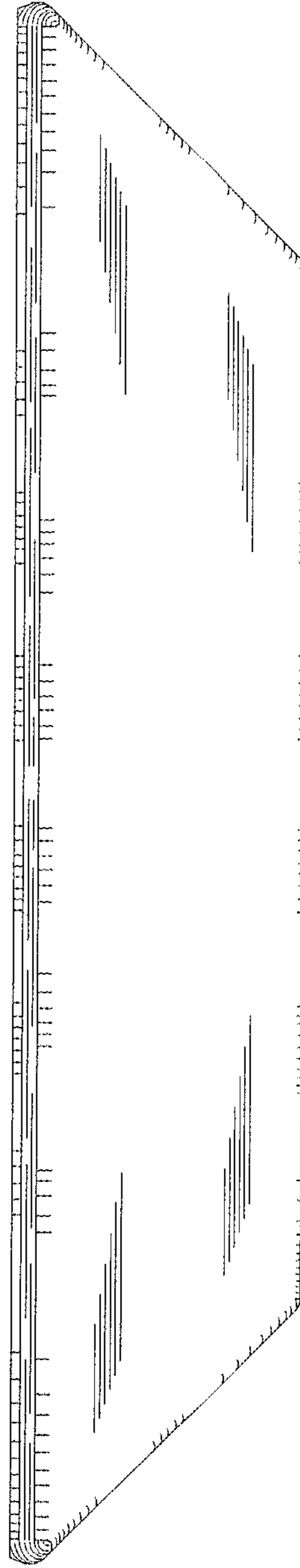


FIG. 5

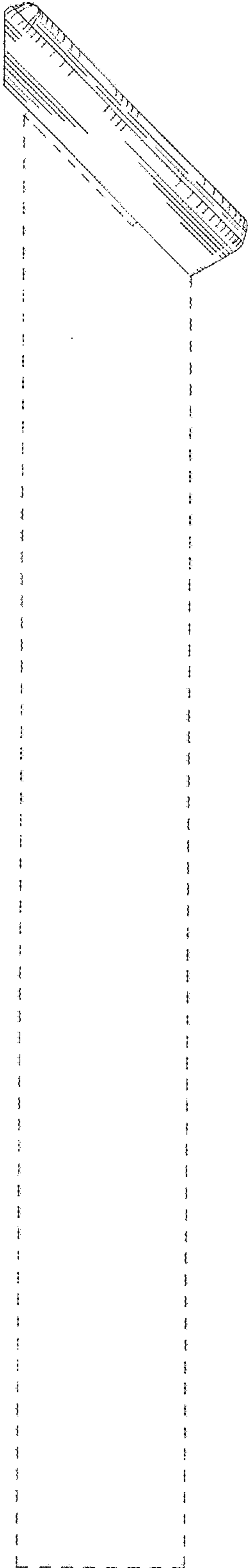


FIG. 6

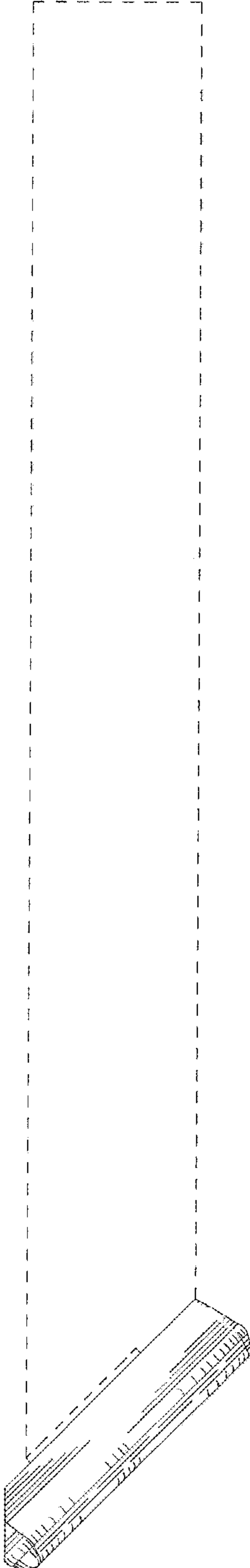


FIG. 7