



US00D817046S

(12) **United States Design Patent** (10) **Patent No.:** **US D817,046 S**
Halvorson, Jr. et al. (45) **Date of Patent:** **** May 8, 2018**

(54) **CABINET DOOR FRAME PORTION**
(71) Applicant: **A-dec, Inc.**, Newberg, OR (US)
(72) Inventors: **Harold Halvorson, Jr.**, Portland, OR (US); **Daniel R. Tucholsky**, McMinnville, OR (US)
(73) Assignee: **A-dec, Inc.**, Newberg, OR (US)
(**) Term: **15 Years**
(21) Appl. No.: **29/554,515**
(22) Filed: **Feb. 11, 2016**
(51) **LOC (11) Cl.** **06-04**
(52) **U.S. Cl.**
USPC **D6/703**
(58) **Field of Classification Search**
USPC D6/657, 663, 664, 664.1, 671, 671.1, D6/671.2, 671.3, 671.4, 703, 708
CPC A47B 17/04; A47B 45/00; A47B 47/00; A47B 47/03; A47B 67/00; A47B 67/04; A47B 67/005; A47B 87/00
See application file for complete search history.

(56) **References Cited**
U.S. PATENT DOCUMENTS
416,919 A * 12/1889 Hungus A47B 67/005 312/227
503,444 A * 8/1893 Stanley A47B 67/005 312/205
1,245,582 A * 11/1917 Gray A47B 67/005 312/225
D304,983 S * 12/1989 Palka D6/703
D341,962 S * 12/1993 Bovermann D6/703
D357,833 S * 5/1995 Newhouse D6/703
D392,127 S * 3/1998 Paus D6/703
D418,333 S * 1/2000 Zaidman D6/703
D440,086 S * 4/2001 Morrow D6/703

D488,648 S * 4/2004 Stanton D6/703
D492,141 S * 6/2004 Brandon D6/703
D510,830 S * 10/2005 Brandon D6/703
D511,258 S * 11/2005 Sandy D6/703
D569,138 S * 5/2008 Siekmann D6/703
D619,829 S * 7/2010 Zalewski D6/703
D655,110 S * 3/2012 Siekmann D6/703
D693,612 S * 11/2013 Arko D6/708
D697,347 S * 1/2014 Wysock D6/703
D754,460 S * 4/2016 Sheppard D6/703
D760,518 S * 7/2016 Shah D6/703
D764,846 S * 8/2016 Reinhart D6/703

* cited by examiner

Primary Examiner — Mimosa De
(74) *Attorney, Agent, or Firm* — Klarquist Sparkman, LLP

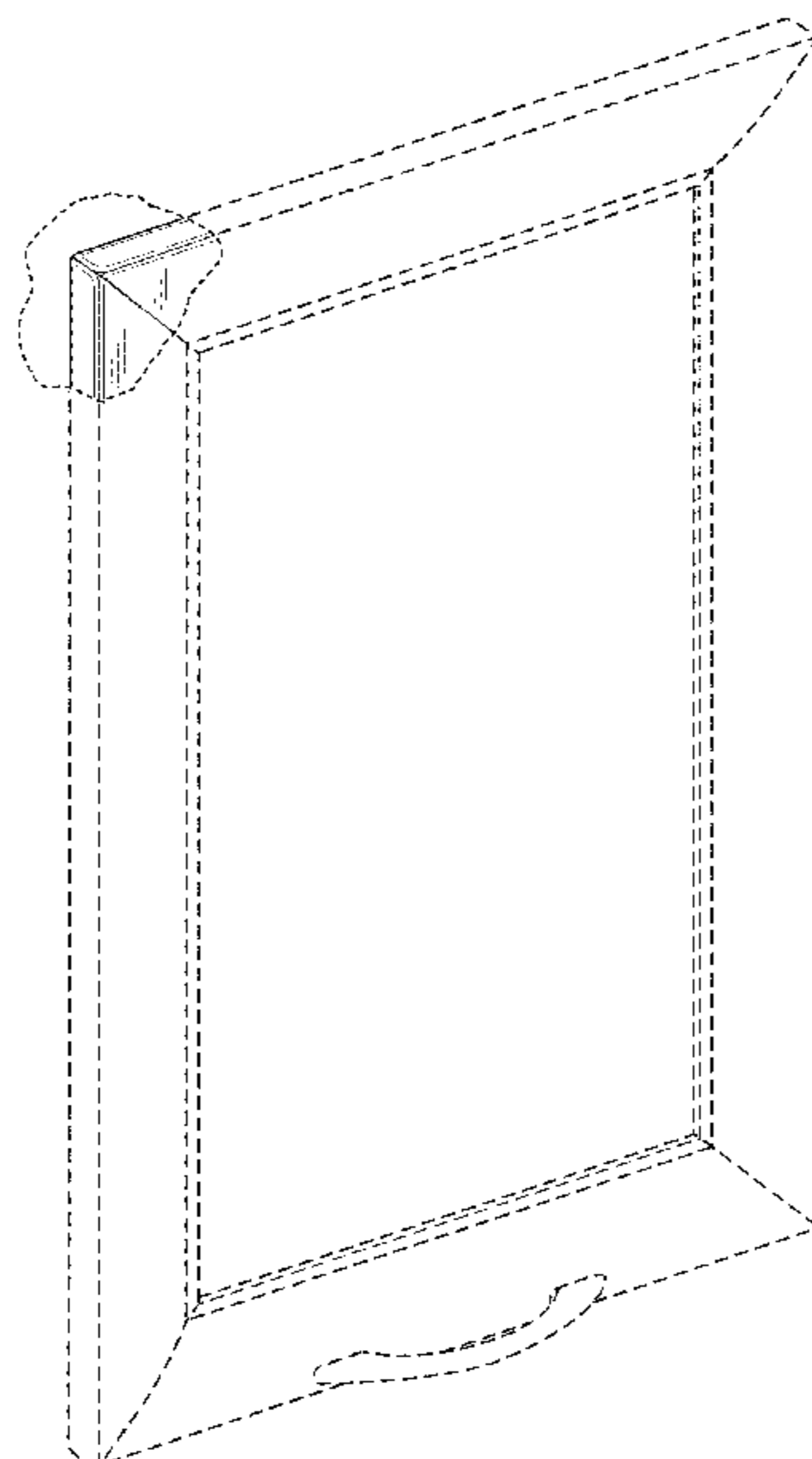
(57) **CLAIM**

The ornamental design for a cabinet door frame portion, as shown and described.

DESCRIPTION

FIG. 1 is a perspective view showing a cabinet door frame portion at an upper left corner of a cabinet door frame.
FIG. 2 is an enlarged perspective view of the cabinet door frame portion.
FIG. 3 is a front elevational view thereof.
FIG. 4 is a top plan view thereof.
FIG. 5 is a left side elevational view thereof.
FIG. 6 is a rear elevational view thereof; and,
FIG. 7 is a sectioned perspective view showing an interior thereof.
The broken line showing of a remainder of a cabinet door illustrates the environment of the claimed design and forms no part thereof. The broken line showing of an interior web structure of an interior of the cabinet door frame portion forms no part of the claimed design.

1 Claim, 2 Drawing Sheets



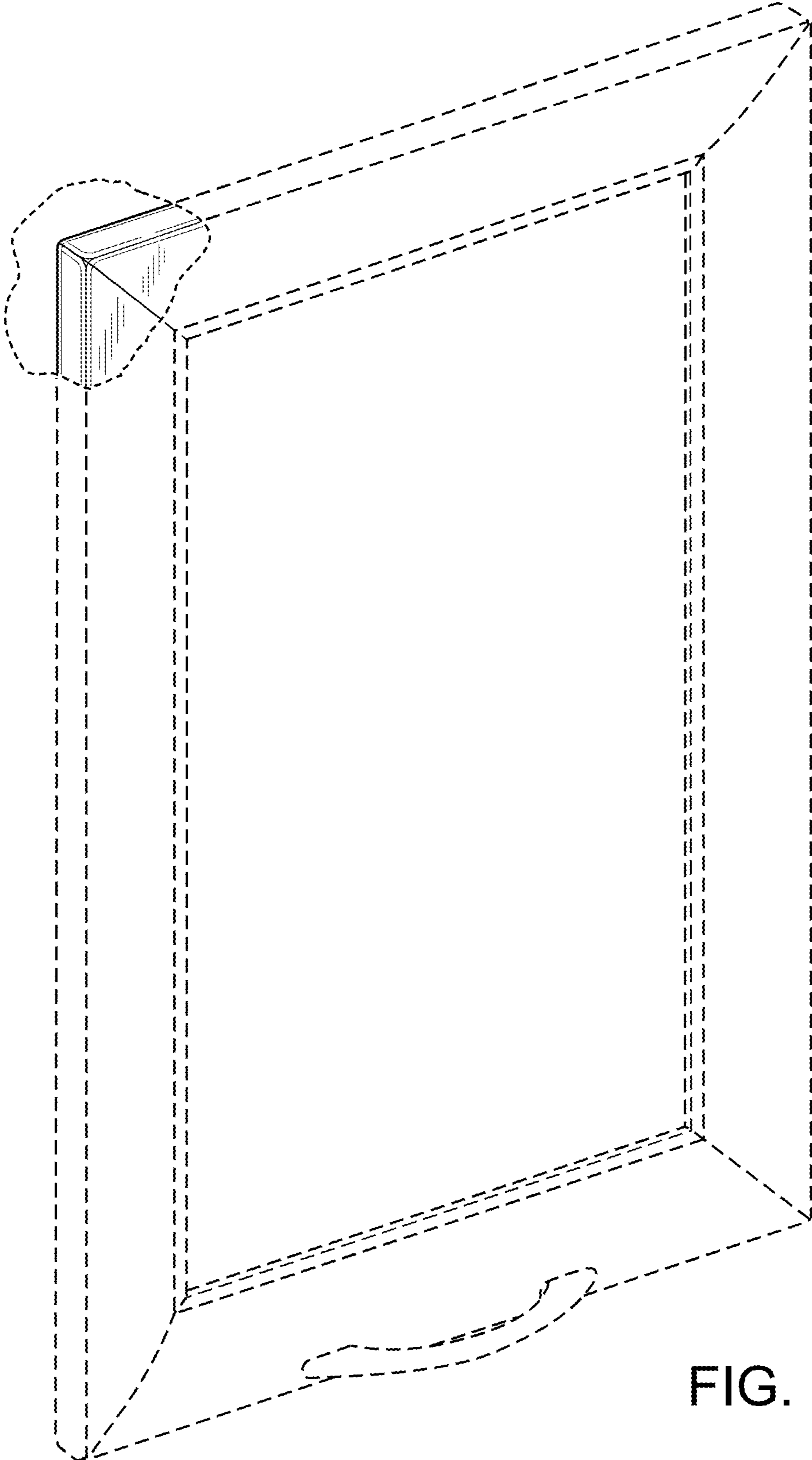


FIG. 1

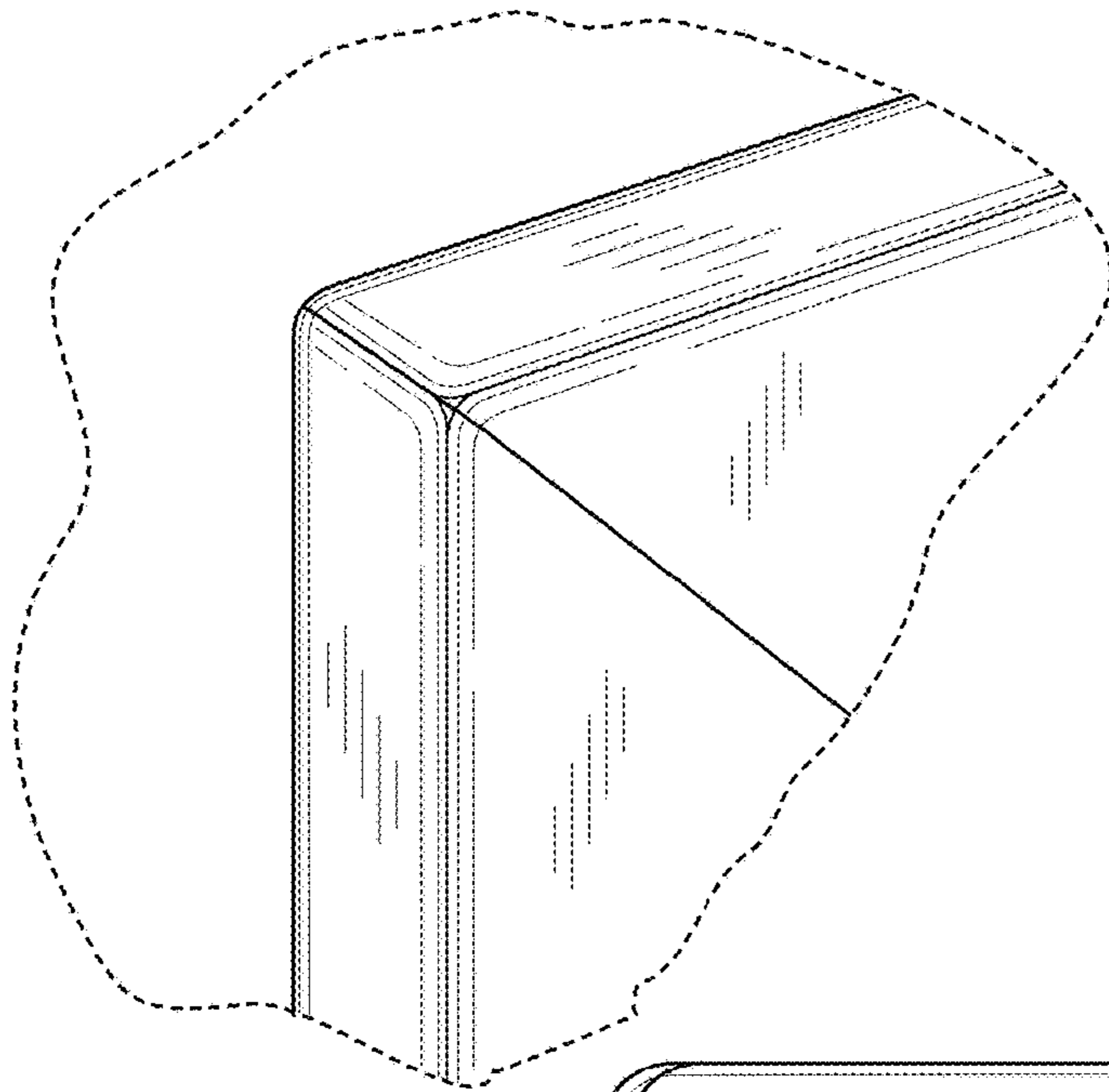


FIG. 2

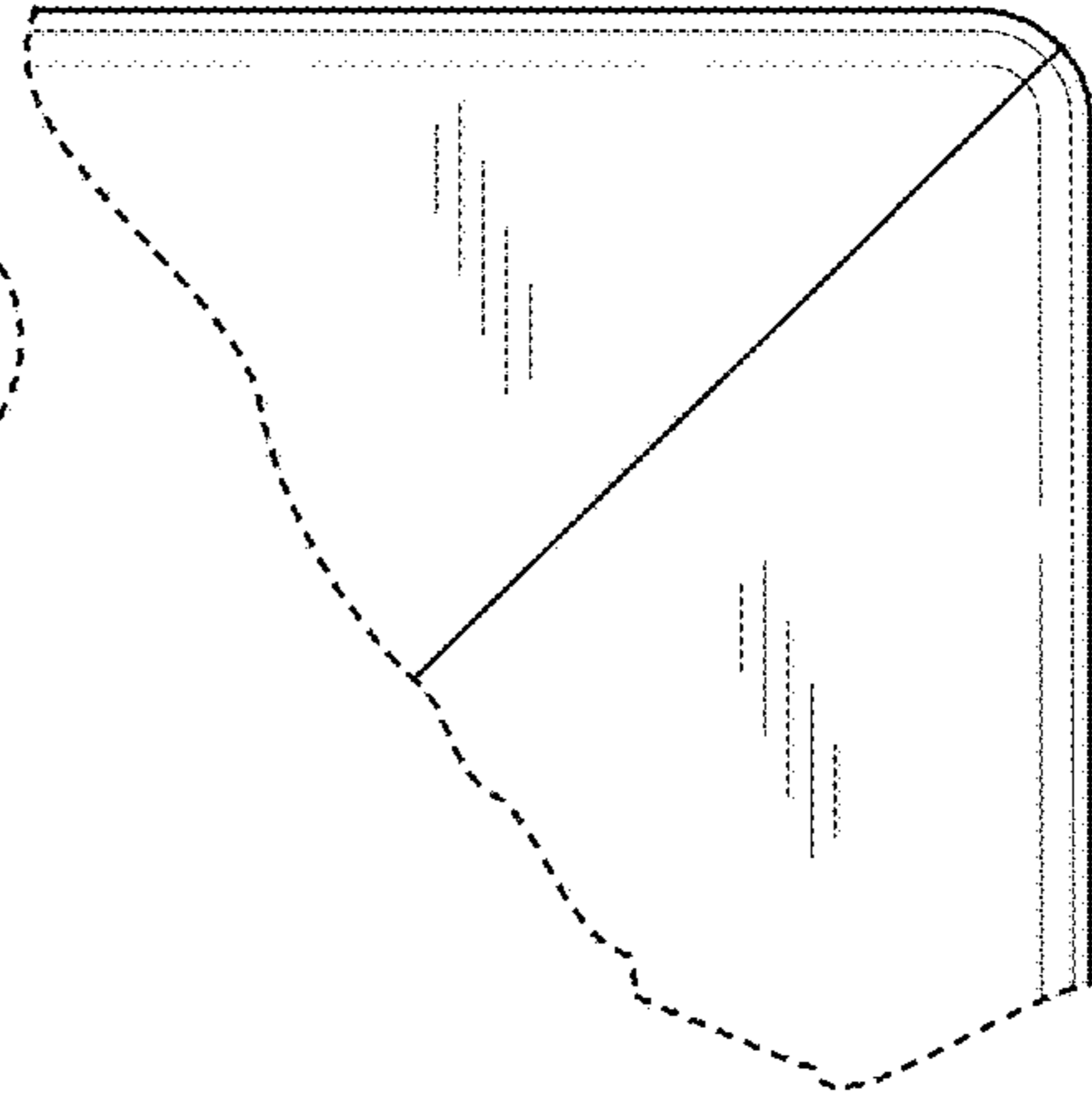


FIG. 6

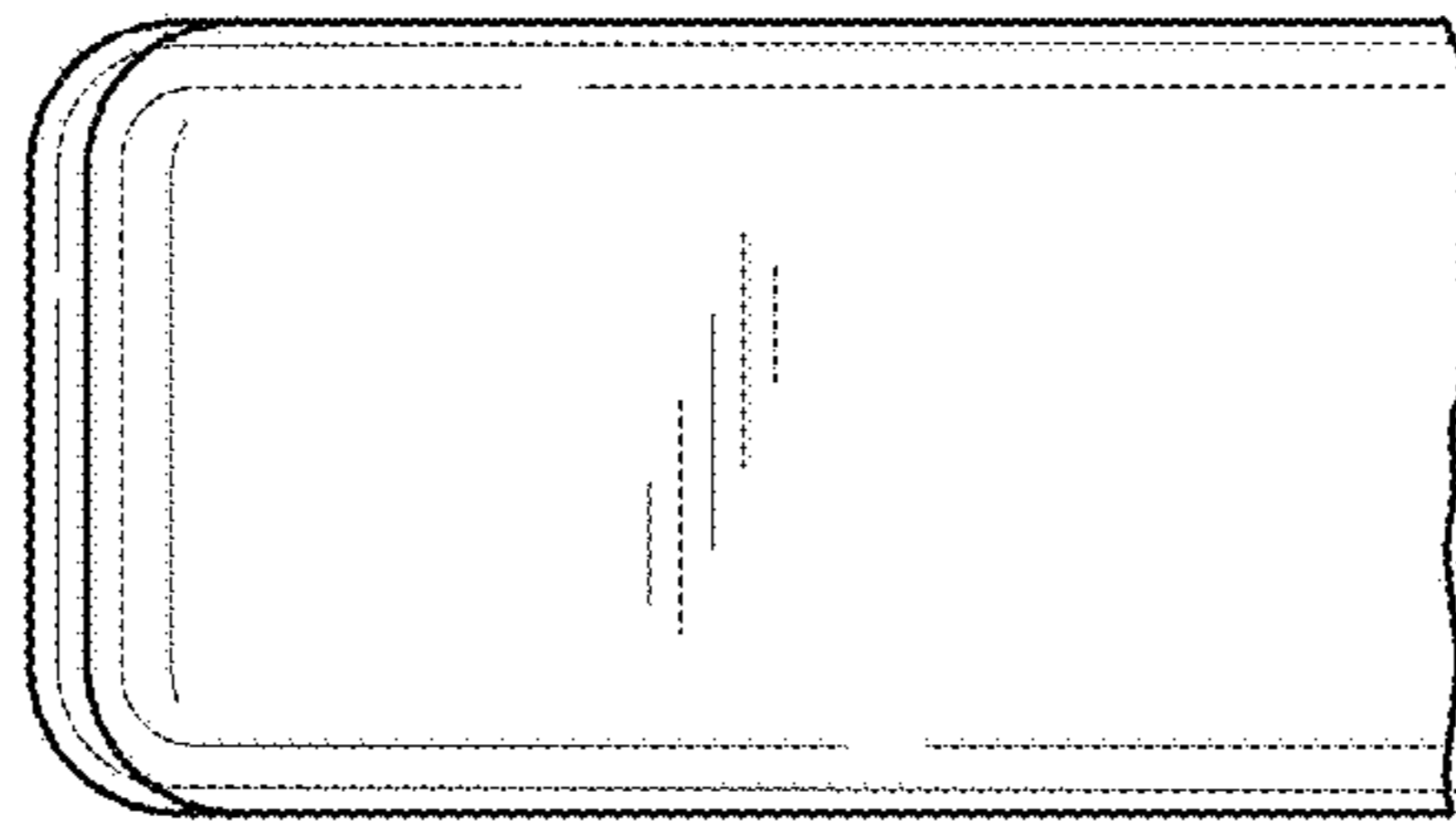


FIG. 4

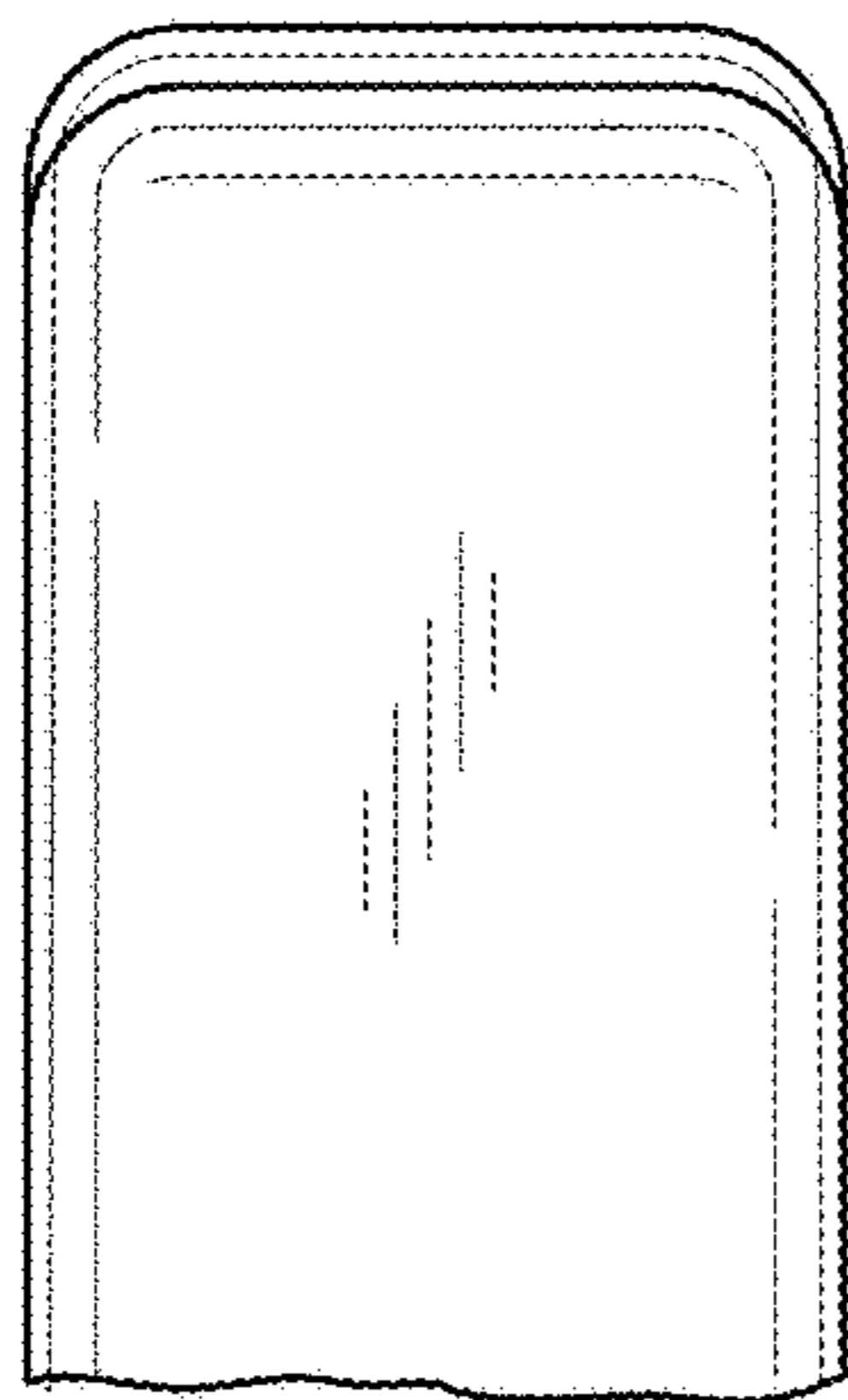


FIG. 5

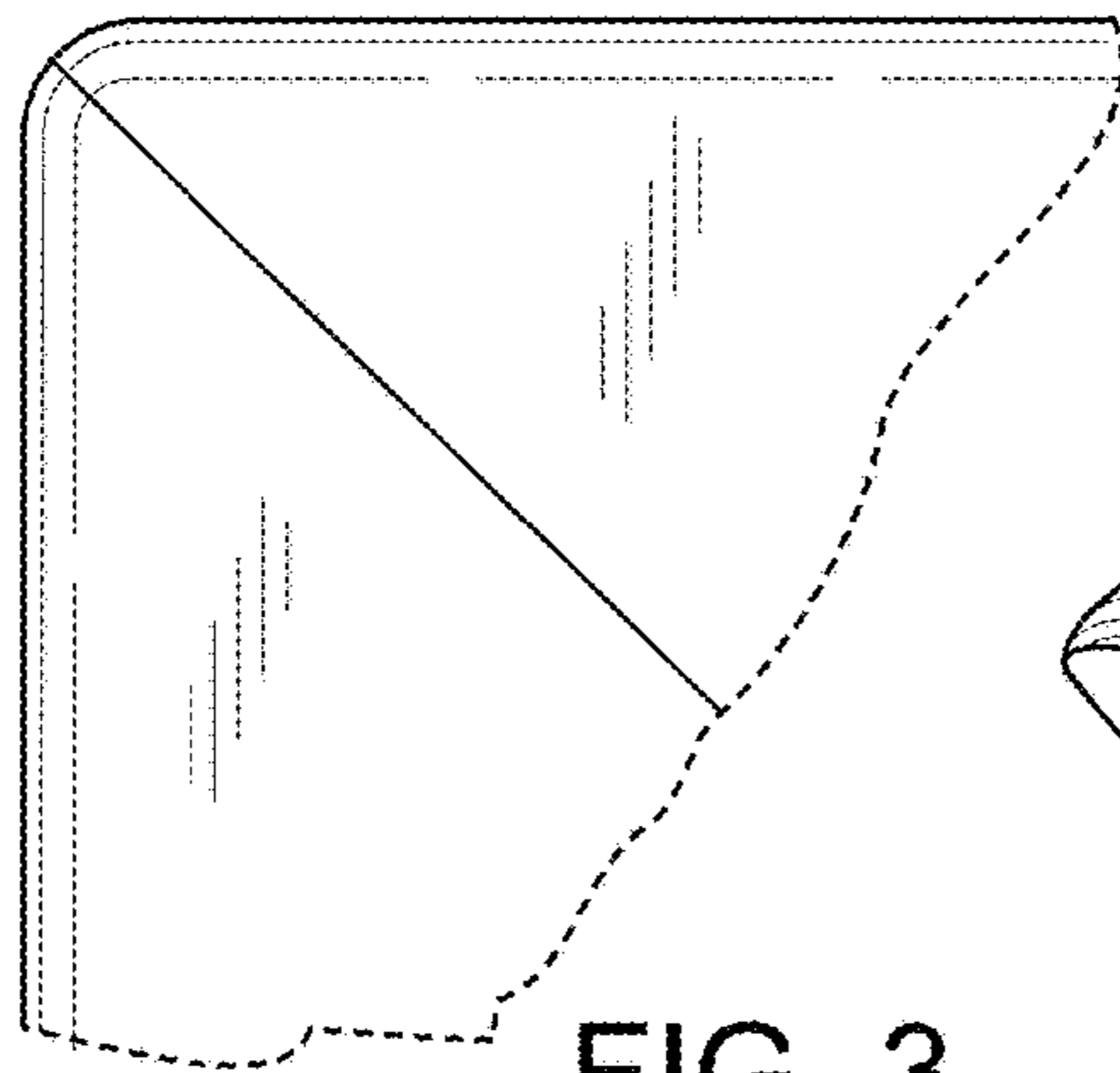


FIG. 3

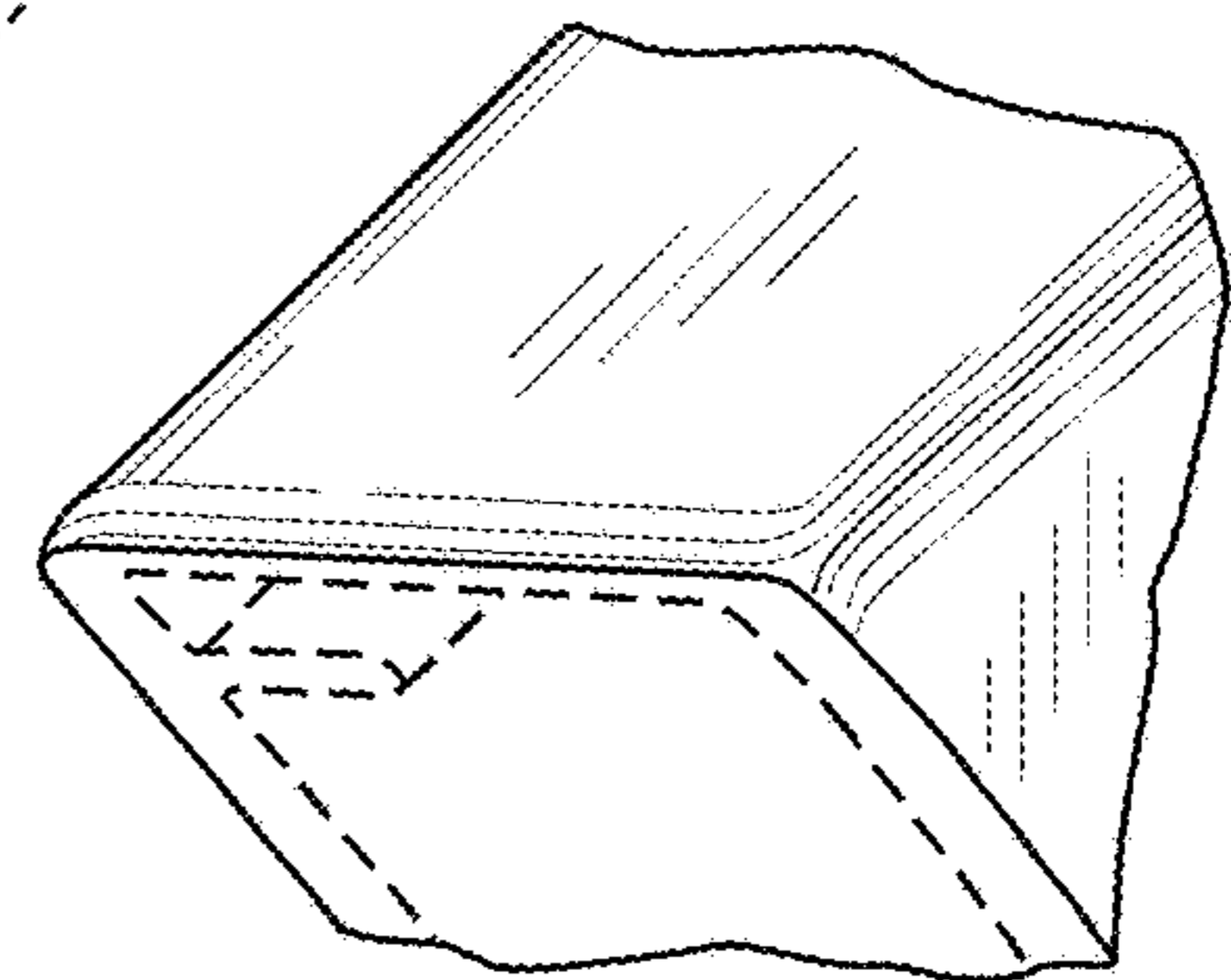


FIG. 7