



US00D817044S

(12) **United States Design Patent** (10) **Patent No.:** **US D817,044 S**
Isshac (45) **Date of Patent:** **** May 8, 2018**

- (54) **ELECTRONIC DEVICE UTILITY TABLE**
- (71) Applicant: **Allec A. Isshac**, Westchester, IL (US)
- (72) Inventor: **Allec A. Isshac**, Westchester, IL (US)
- (**) Term: **15 Years**
- (21) Appl. No.: **29/593,425**
- (22) Filed: **Feb. 8, 2017**

D268,042 S 2/1983 Appel et al.
 4,564,886 A 1/1986 Morcheles
 4,629,264 A 12/1986 Culver
 (Continued)

OTHER PUBLICATIONS

U.S. Appl. No. 35/001,017, filed May 29, 2015.
 (Continued)

Primary Examiner — Richard E Chilcot
 (74) *Attorney, Agent, or Firm* — Leydig, Voit & Mayer, Ltd.

Related U.S. Application Data

- (62) Division of application No. 35/001,017, filed on May 29, 2015 (U.S. filing date under 35 U.S.C. 384), and having an international filing date of May 29, 2015, now Pat. No. Des. 783,325.
- (51) **LOC (11) Cl.** **15-05**
- (52) **U.S. Cl.**
 USPC **D6/692**; D6/642; D6/655; D6/691.9
 CPC **A47L 3/00** (2013.01)
- (58) **Field of Classification Search**
 USPC D6/642, 691, 655, 691.8, 691.9, 655.18,
 D6/655.21, 656, 692; 108/35–38,
 108/115–128; 312/241–244
 CPC A47B 3/00; A47B 2200/0081; A47B
 2021/064; A47B 2021/066; A47B
 2021/068; A47B 41/00; A47B 21/00;
 A47B 17/00; A47B 17/003; A47B 17/006
 See application file for complete search history.

(56) **References Cited**

U.S. PATENT DOCUMENTS

1,158,212 A	10/1915	Henderson
D103,250 S	2/1937	Parrish
2,174,613 A	10/1939	Blaschke
2,758,900 A	8/1956	Marchand
3,111,275 A	11/1963	Pfisterer
3,684,344 A	8/1972	Gilinger
D242,102 S	11/1976	Stirling
4,094,256 A	6/1978	Holper et al.

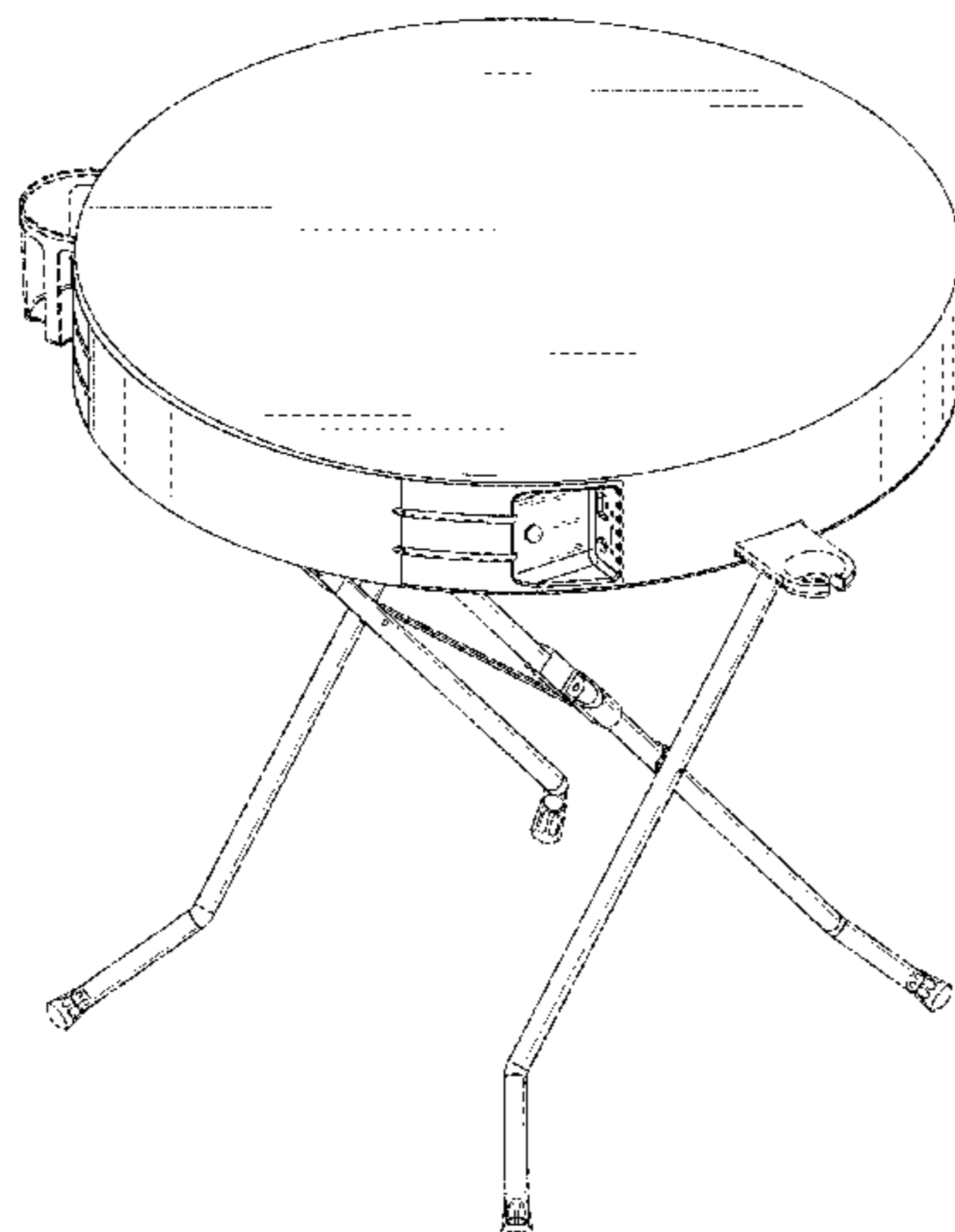
(57) **CLAIM**

The ornamental design for an electronic device utility table, as shown and described.

DESCRIPTION

FIG. 1.1 is a top and side perspective view of the electronic device utility table embodying my new design;
 FIG. 1.2 is a bottom and side perspective view thereof;
 FIG. 1.3 is another bottom and side perspective view thereof;
 FIG. 1.4 is a top view thereof;
 FIG. 1.5 is a bottom view thereof;
 FIG. 1.6 is a side view thereof;
 FIG. 1.7 is another side view thereof;
 FIG. 1.8 is another side view thereof;
 FIG. 1.9 is another side view thereof;
 FIG. 1.10 is a side view of the electronic device utility table with the legs completely folded;
 FIG. 1.11 is another side view of FIG. 1.10 thereof;
 FIG. 1.12 is a side view of the electronic device utility table with the legs partially folded;
 FIG. 1.13 is another side view thereof;
 FIG. 1.14 is still another side view thereof;
 FIG. 1.15 is yet another side view thereof; and,
 FIG. 1.16 is a bottom perspective view thereof with the legs folded.

(Continued)



The broken line representations are for the purposes of illustration only and form no part of the claimed design.

1 Claim, 16 Drawing Sheets

(56)

References Cited

U.S. PATENT DOCUMENTS

4,662,591	A	5/1987	Encontre	
4,792,881	A	12/1988	Wilson et al.	
6,041,723	A	3/2000	Peterson	
D424,325	S	5/2000	Iannaccone	
D441,207	S	5/2001	Williams	
6,322,228	B1	11/2001	Feldman	
D525,536	S	7/2006	Chan	
7,097,326	B1	8/2006	Pipolo	
D538,061	S	3/2007	Daniel	
D540,485	S	4/2007	Waedeled	
D546,062	S	7/2007	Tate	
8,051,783	B1	11/2011	Hoskinson	
D678,193	S	3/2013	Siminoff et al.	
8,418,385	B2	4/2013	Olson	
D683,311	S	5/2013	Siminoff et al.	
D715,080	S	* 10/2014	Thornley	D6/707.19

9,204,717	B2	*	12/2015	Moita Gorgulho Soares
				Branco A47B 21/007
D757,464	S		5/2016	Chiang
2008/0061662	A1		3/2008	Lin
2010/0146307	A1		6/2010	Griffin, Jr. et al.
2011/0048288	A1		3/2011	Sheldon
2012/0249054	A1		10/2012	King et al.
2013/0186306	A1		7/2013	Thornley
2013/0249481	A1		9/2013	Jacobs et al.
2014/0002004	A1		1/2014	Farris-Gilbert et al.

OTHER PUBLICATIONS

Casual Home, "Modern Folding Desk with 4 USB Ports," product listing downloaded from Internet at Amazon.com on May 8, 2015, 5 pp.

Great Useful Stuff, "The G.U.S. Corner Charging and Sunglass Station for Smartphones, Phablets, Tablets, Watches, Apple Watches, and Other Personal Accessories and Chargeable Devices (Zen Collection)," product listing downloaded from Internet at Amazon.com on May 8, 2015, 4 pp.

Kwikboost, "Kwikboost Charging Power Hub," product page downloaded from Internet at <http://www.kwikboost.com/power-table/> on May 8, 2015, 3 pp.

Kwikboost, "Powerful Charging Solutions," product brochure, 2014, 4 pp.

* cited by examiner

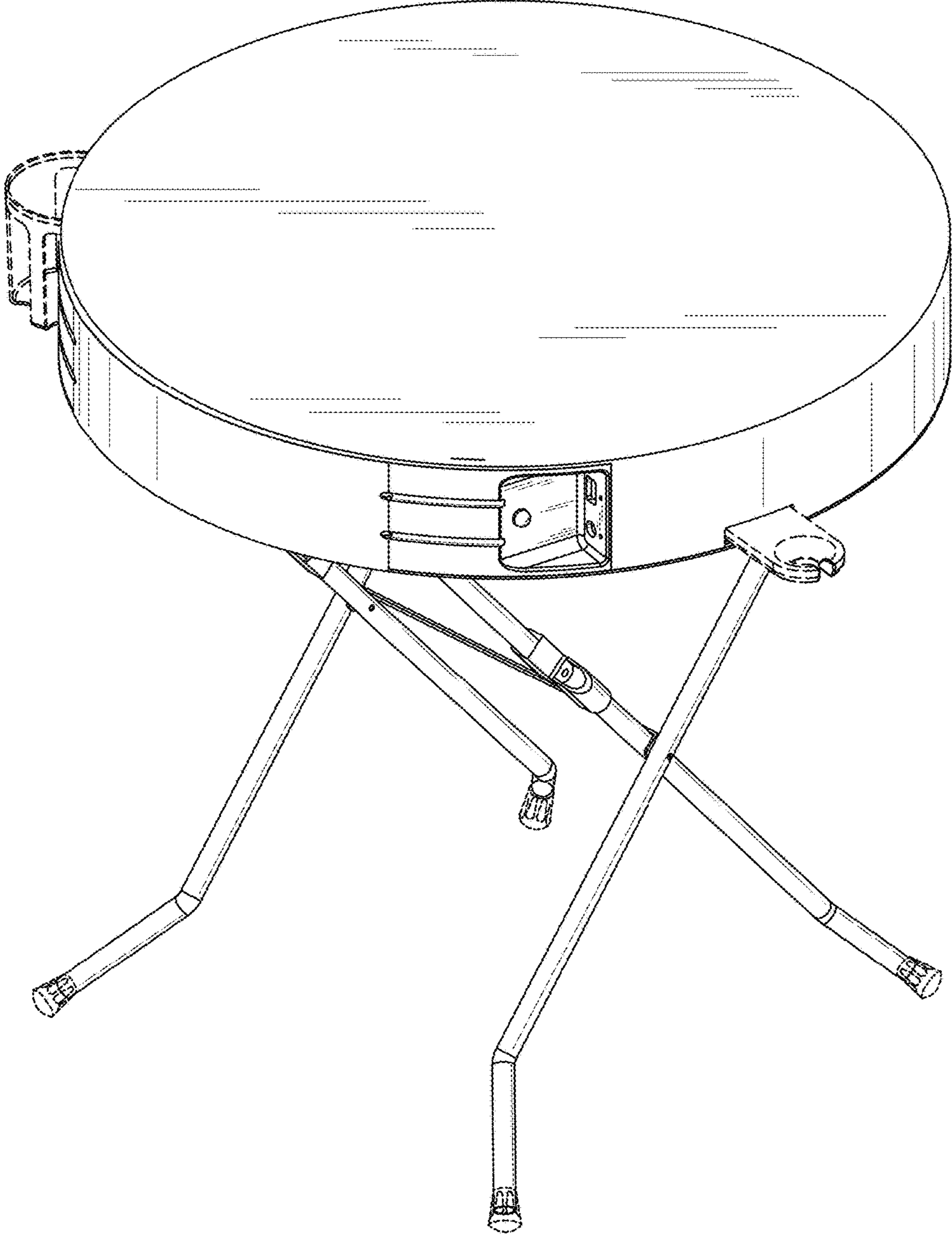


FIG. 1.1

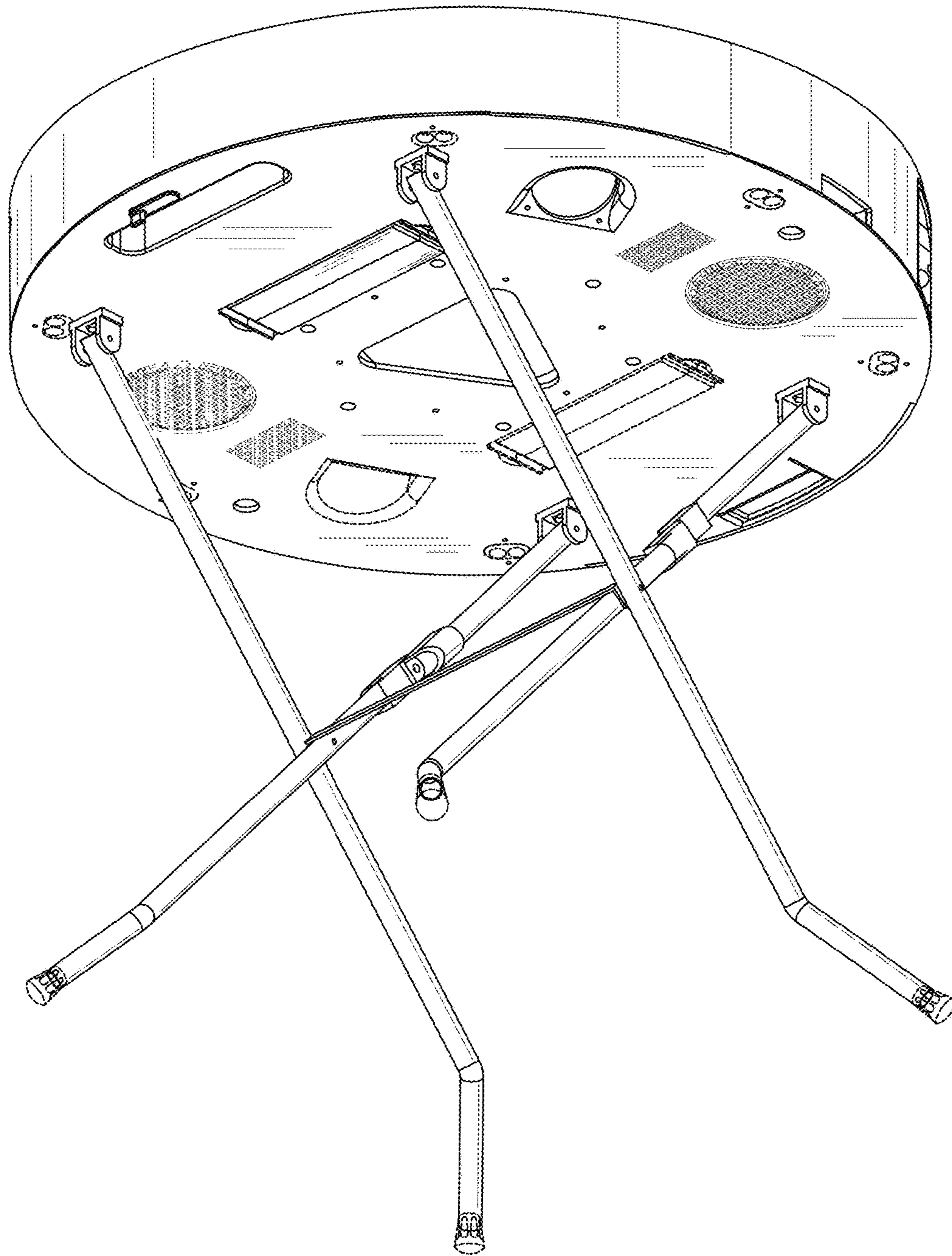


FIG. 1.2

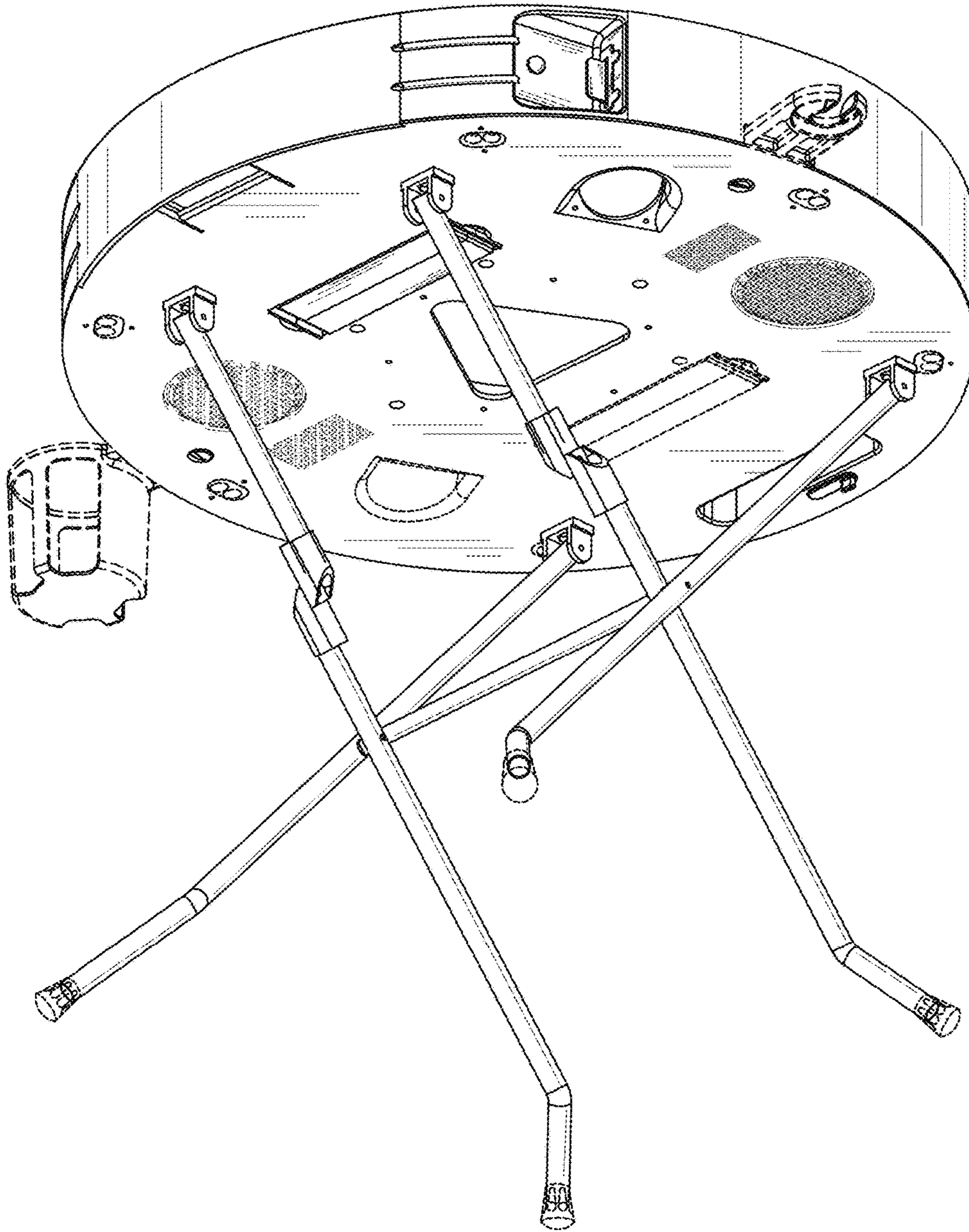


FIG. 1.3

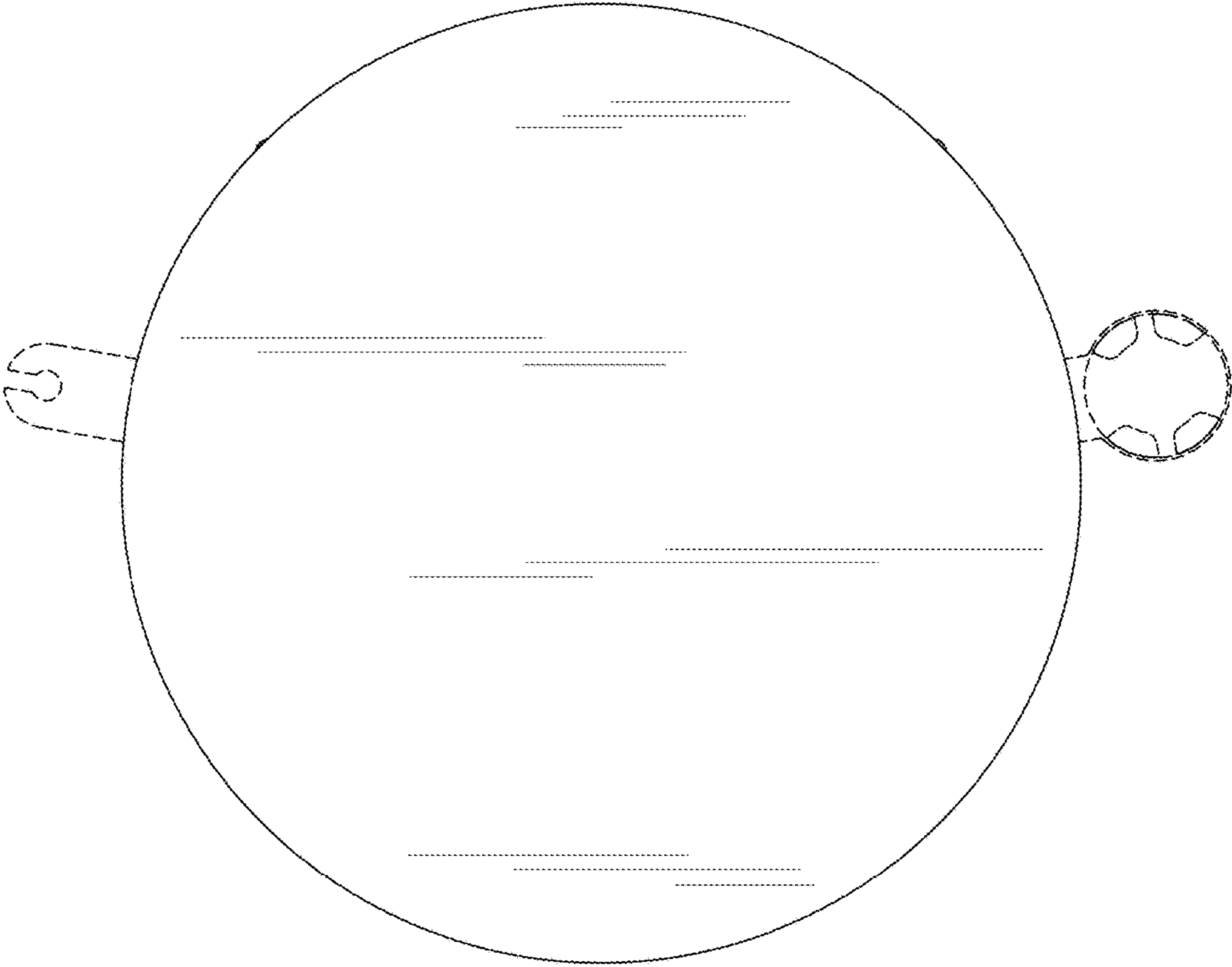


FIG. 1.4

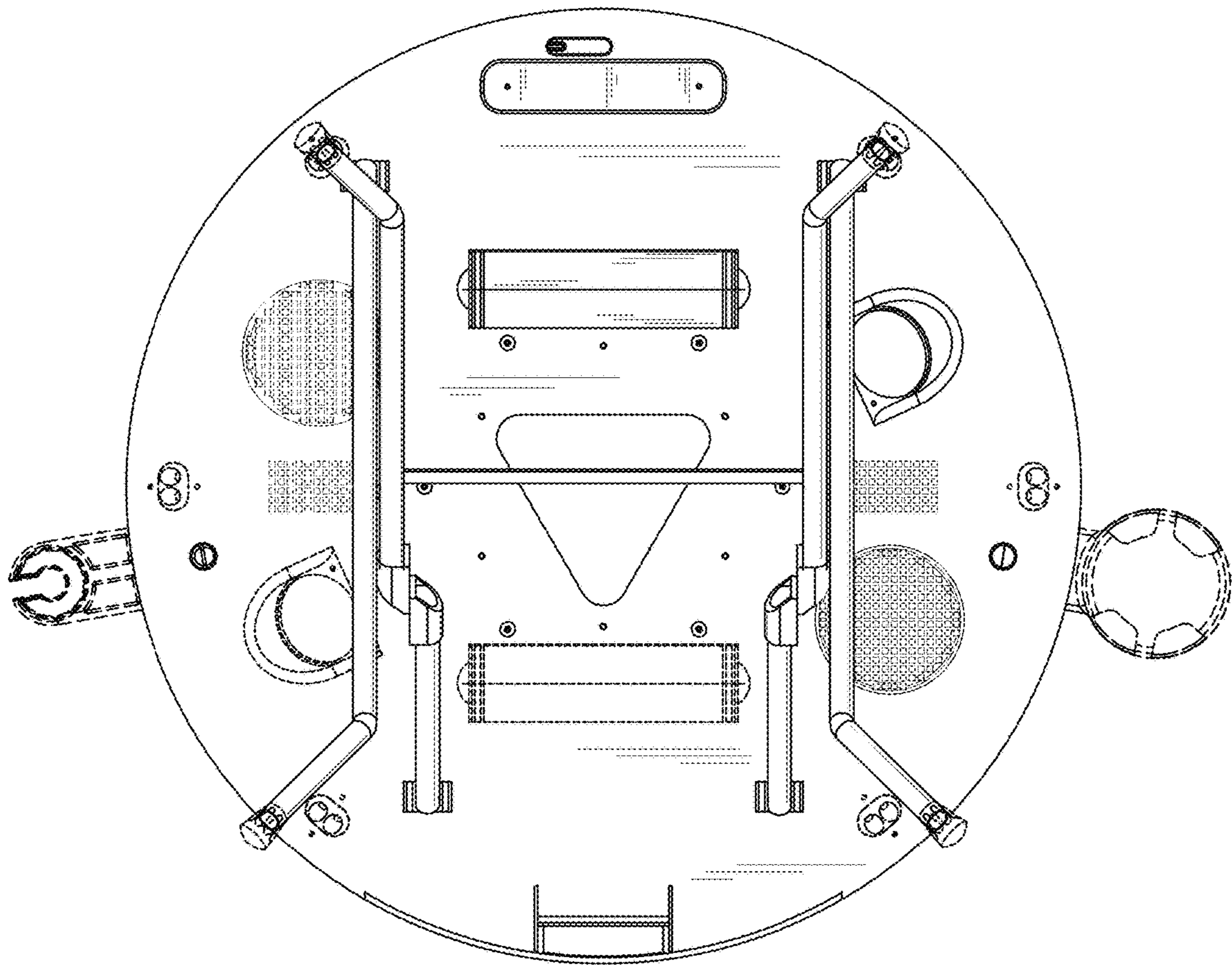


FIG. 1.5

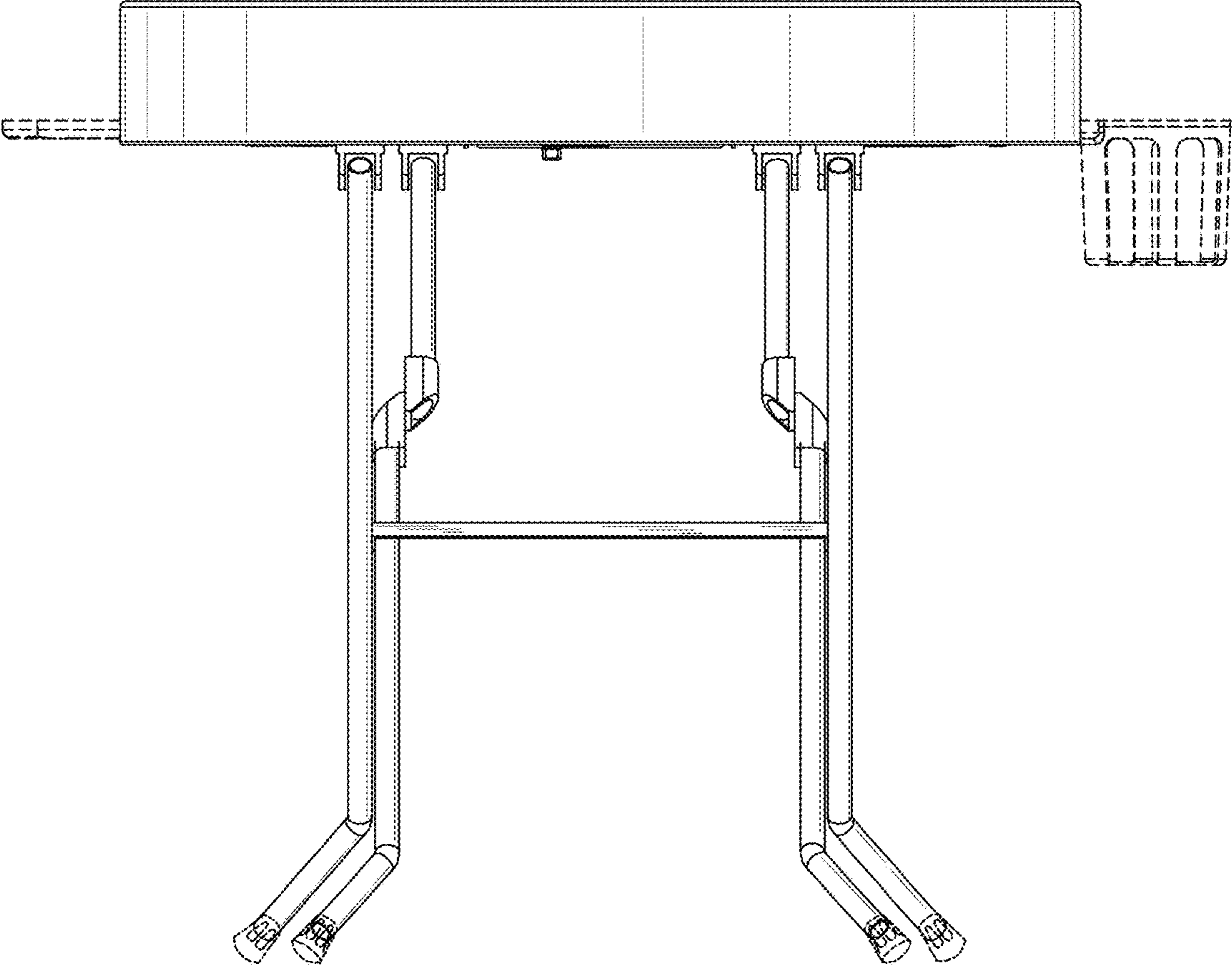


FIG. 1.6

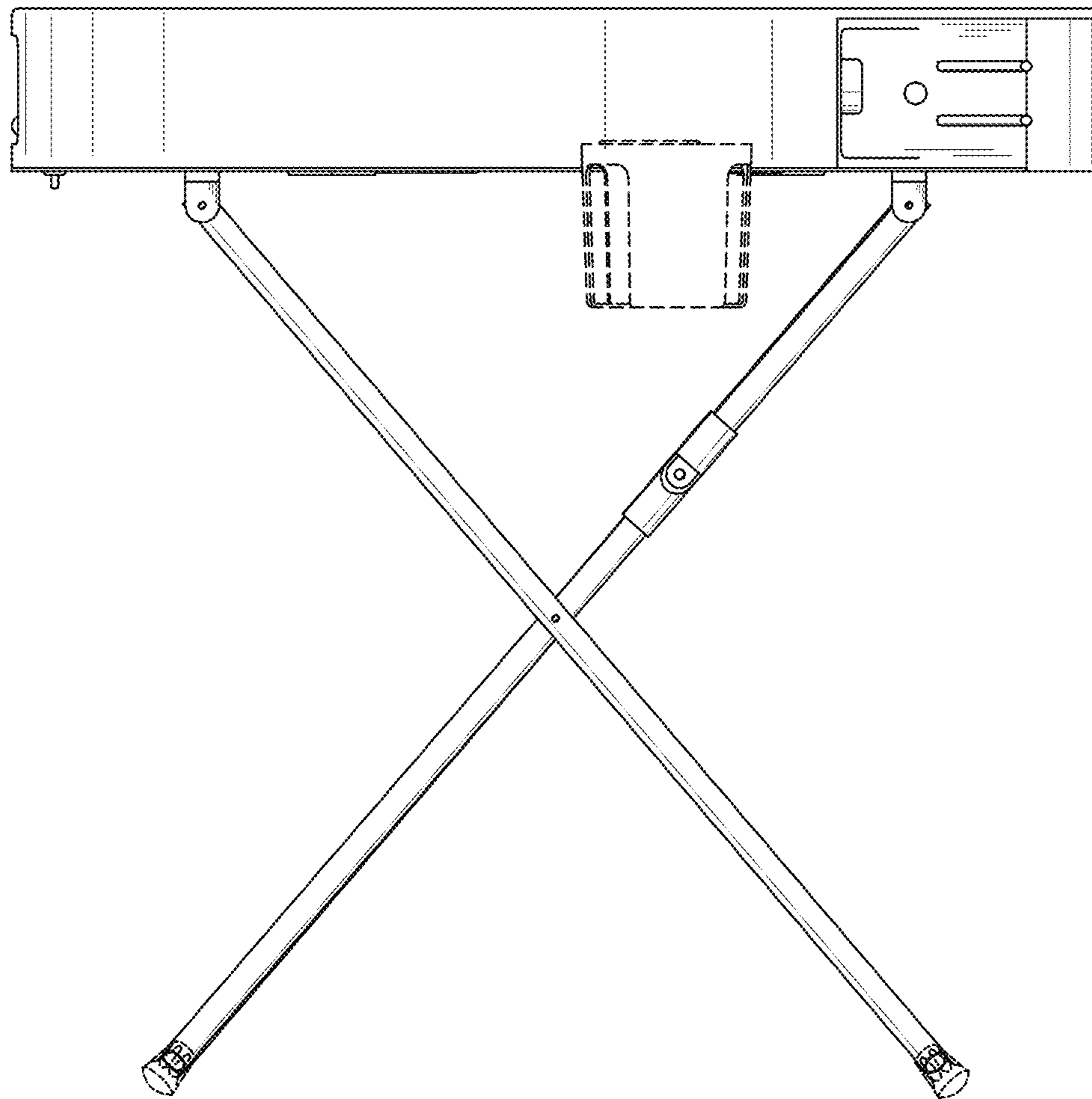


FIG. 1.7

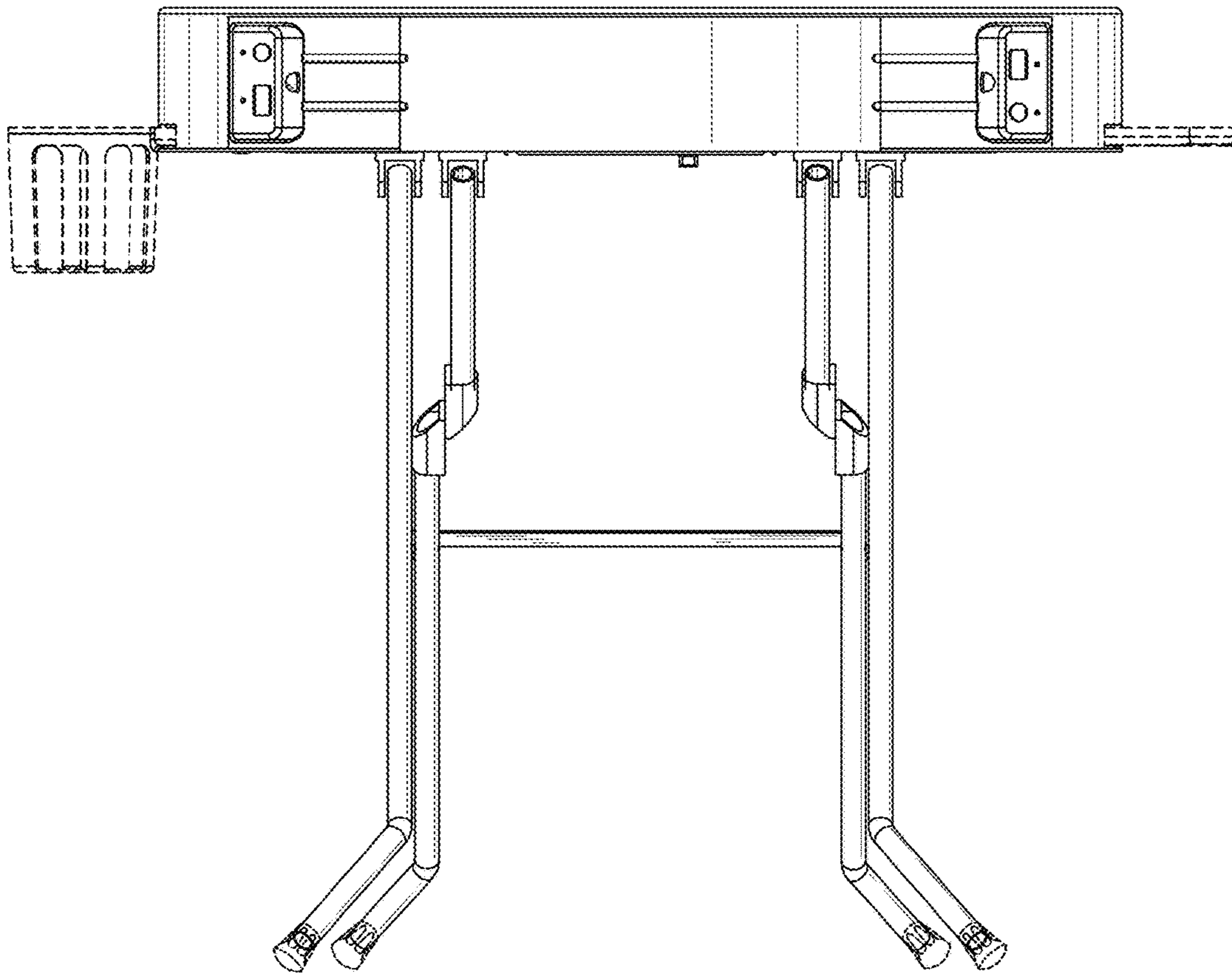


FIG. 1.8

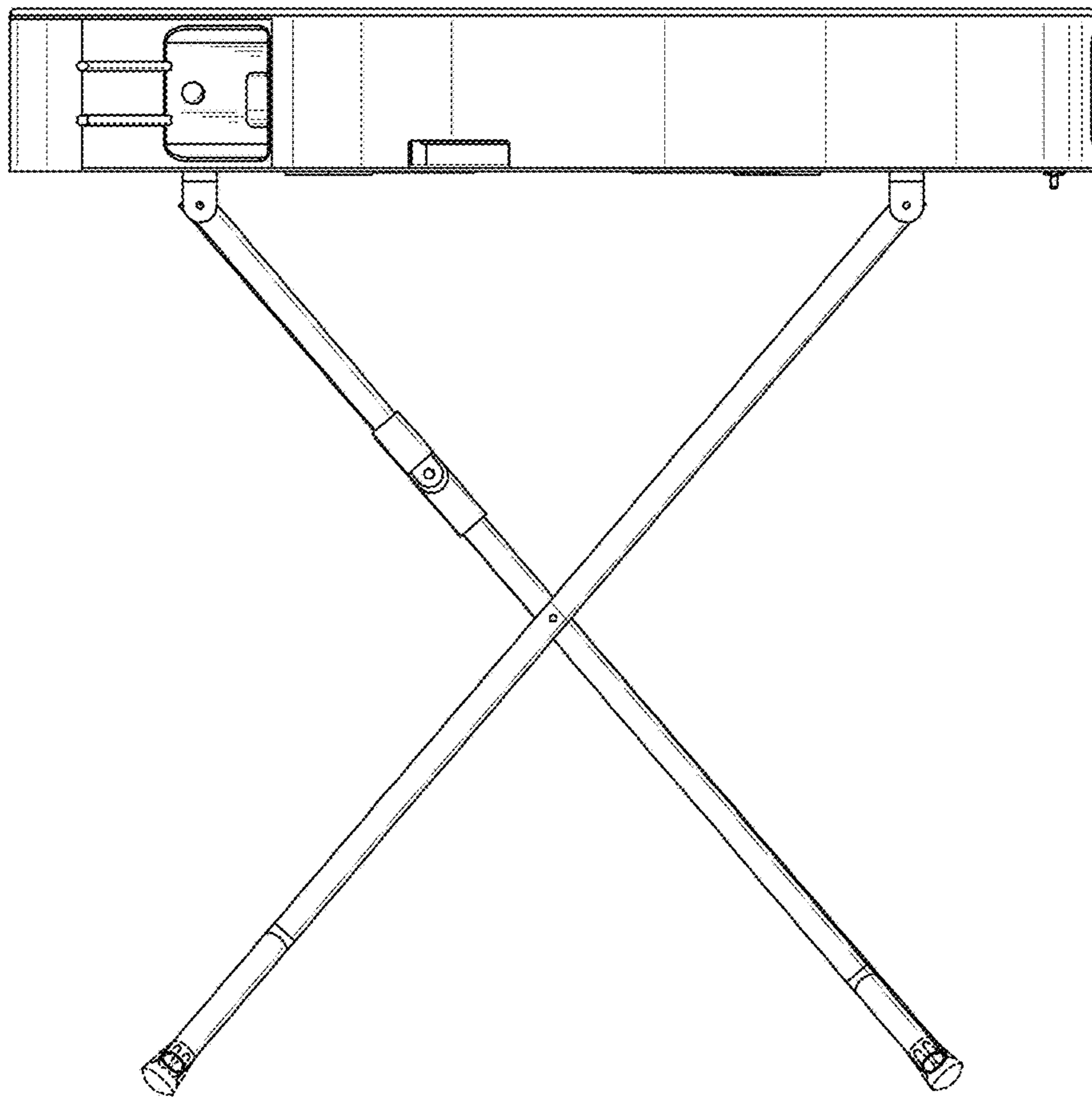


FIG. 1.9

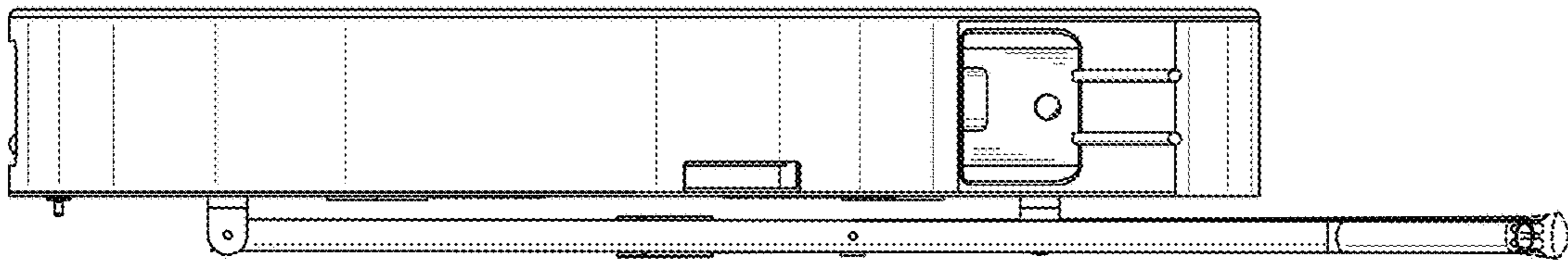


FIG. 1.10

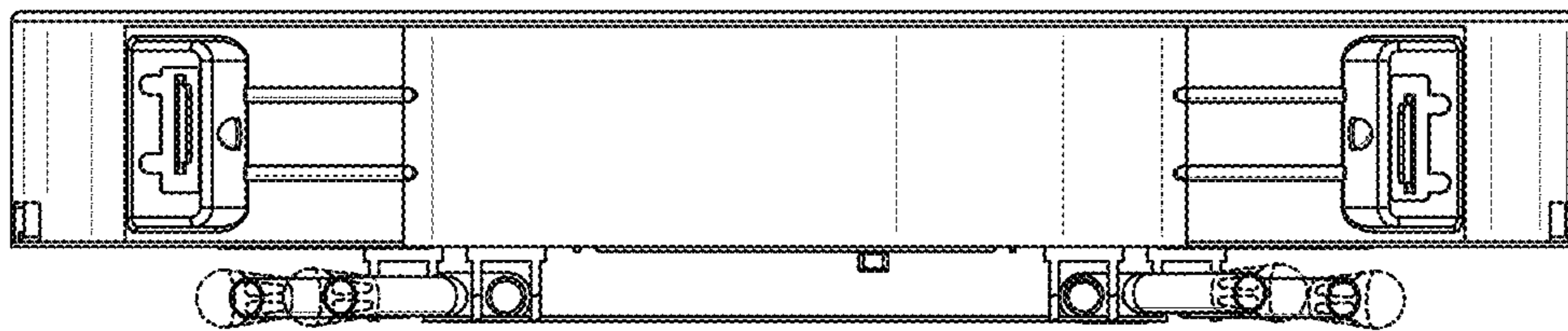


FIG. 1.11

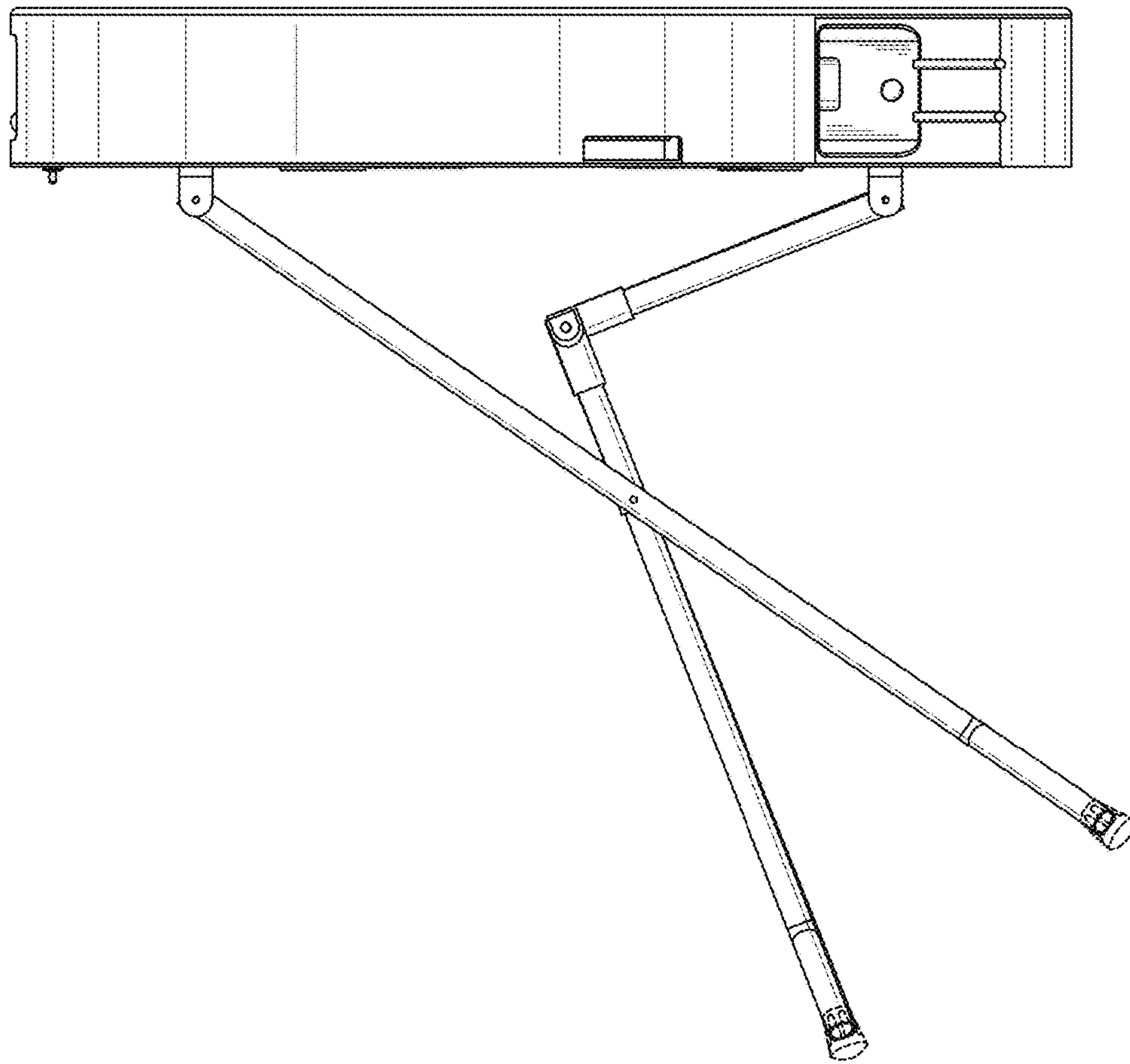


FIG. 1.12

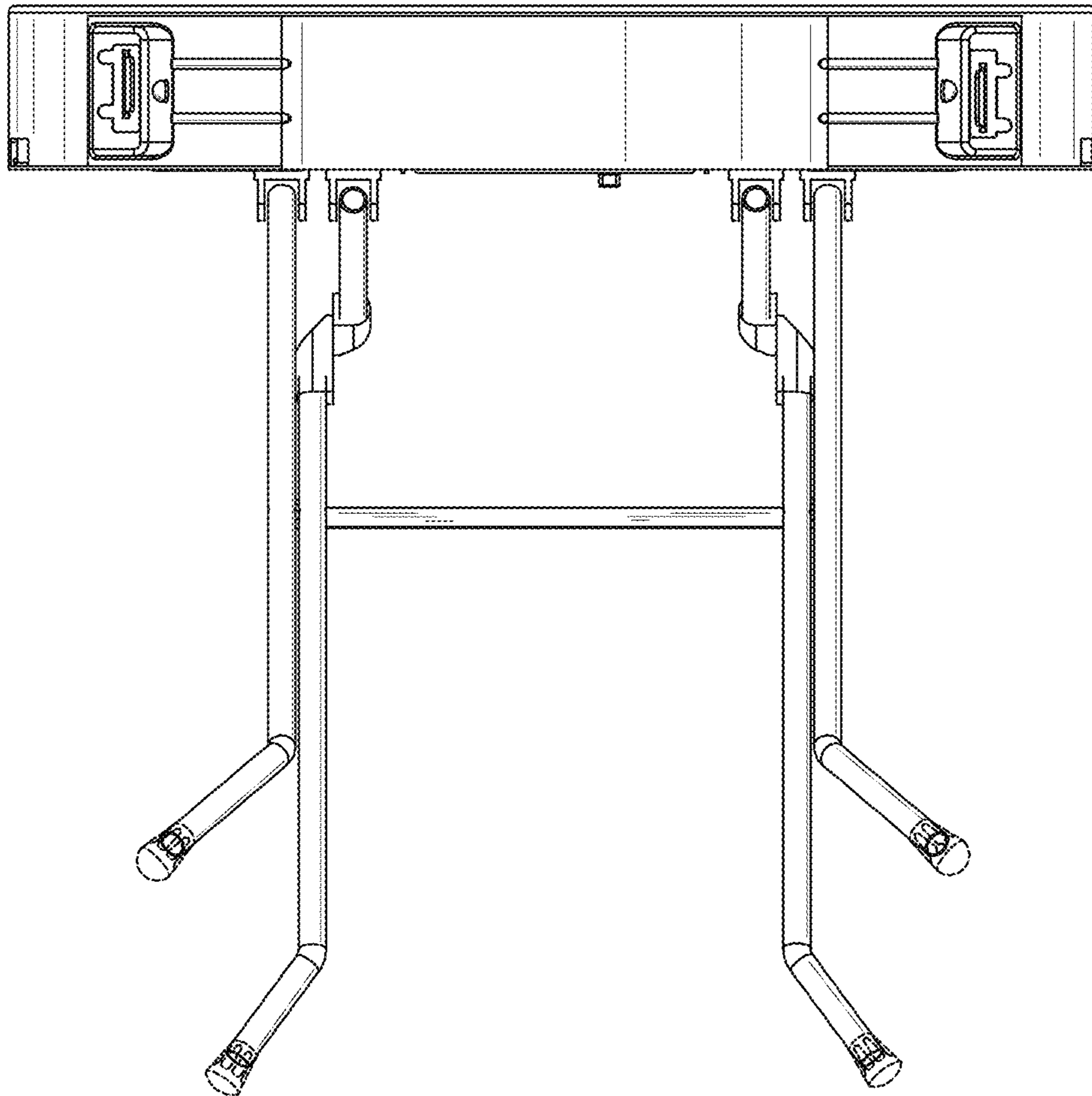


FIG. 1.13

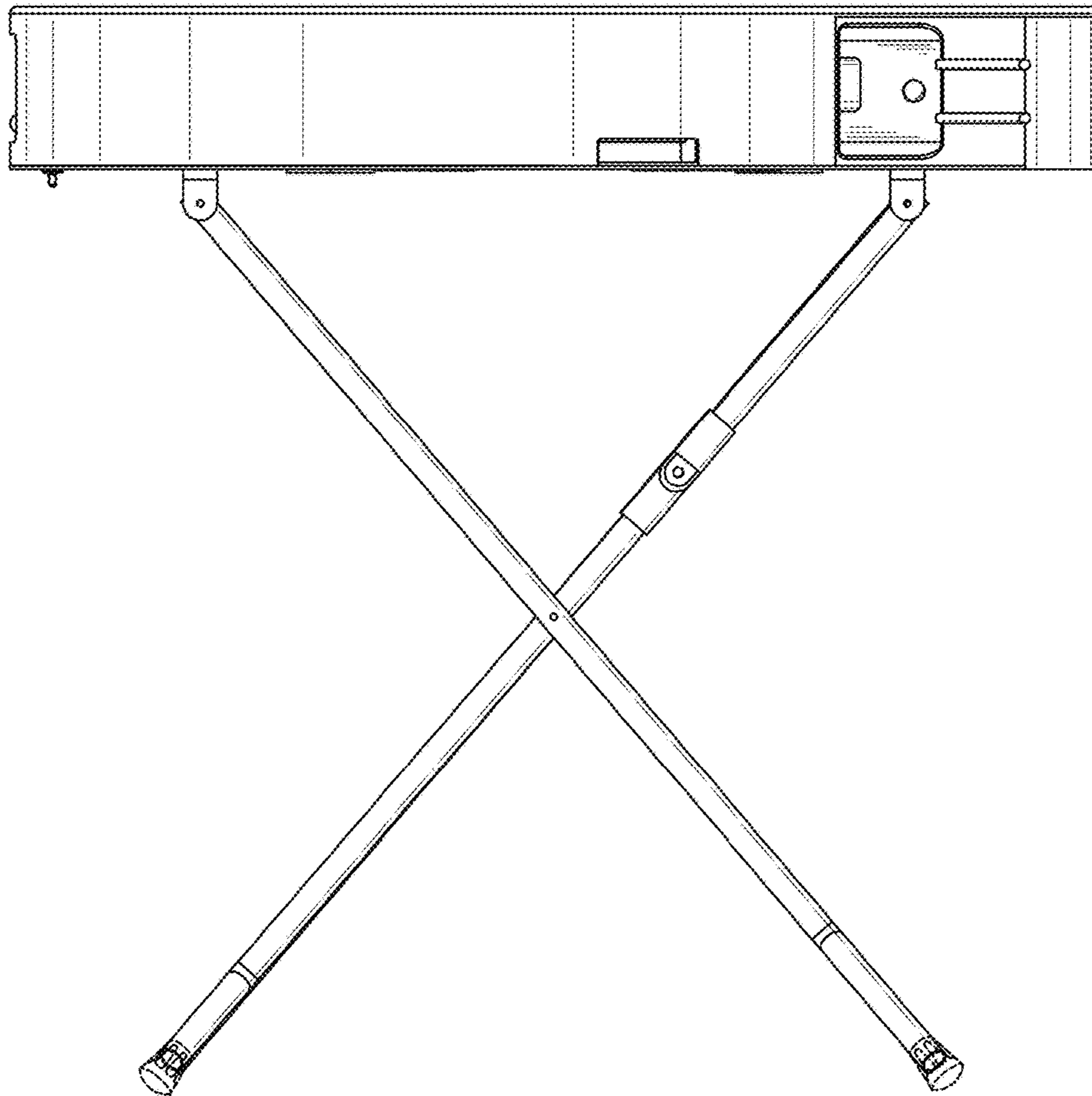


FIG. 1.14

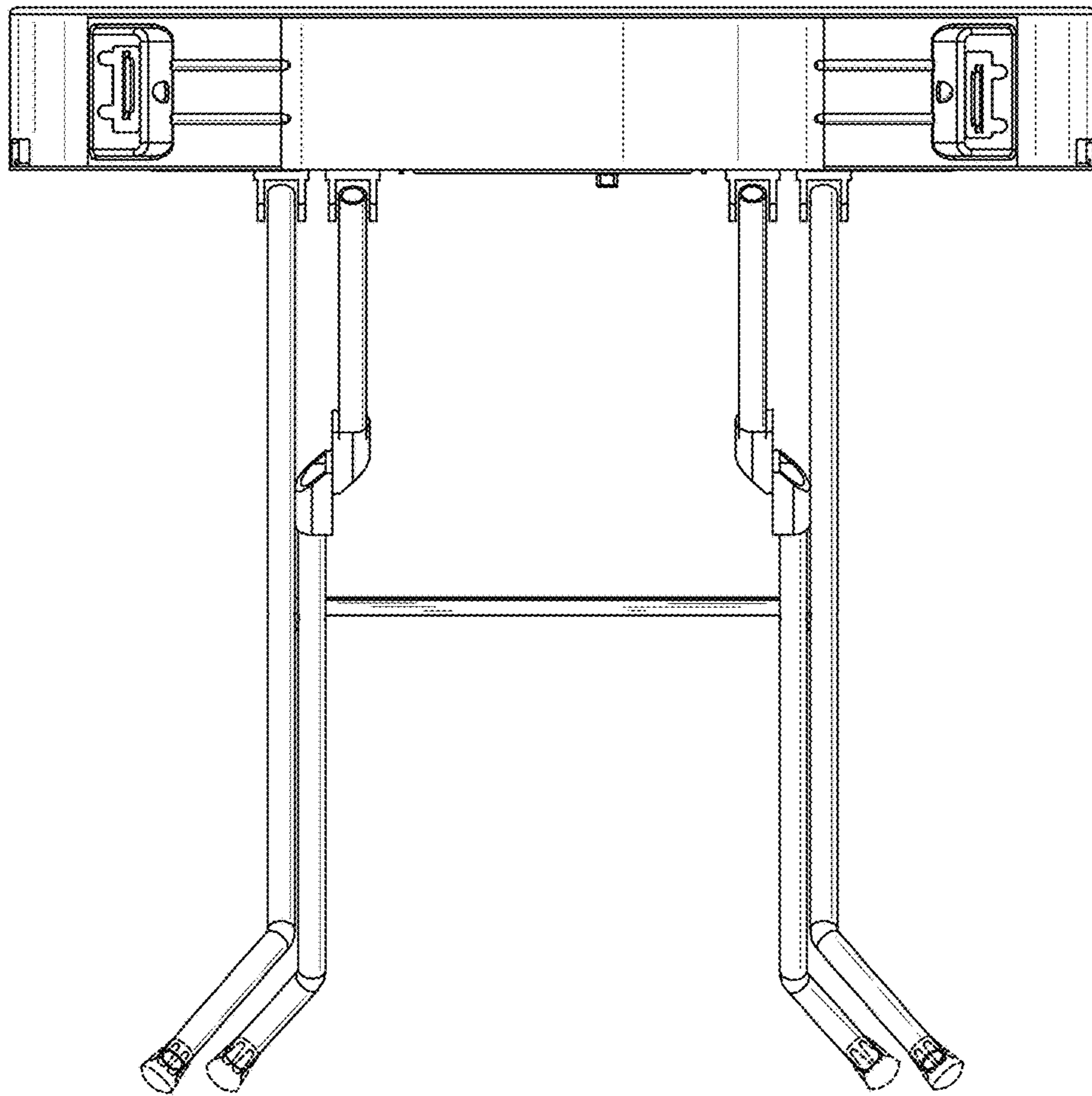


FIG. 1.15

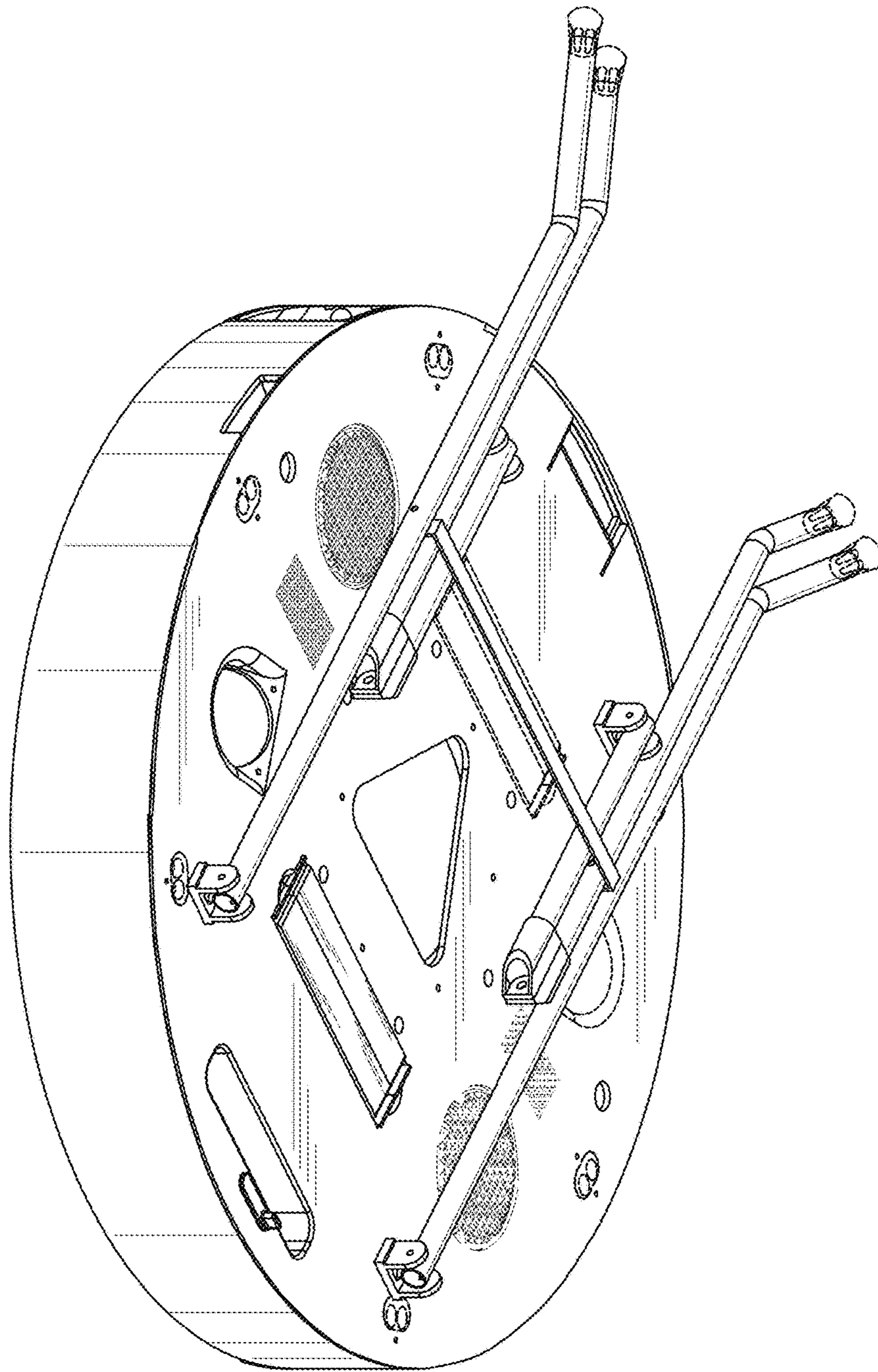


FIG. 1.16