



US00D817043S

(12) **United States Design Patent** (10) **Patent No.:** **US D817,043 S**  
**Baylar** (45) **Date of Patent:** **\*\* May 8, 2018**

(54) **TABLE**

(71) Applicant: **HUDSON FURNITURE, INC.**, New York, NY (US)

(72) Inventor: **Barlas Baylar**, New York, NY (US)

(73) Assignee: **HUDSON FURNITURE, INC.**, New York, NY (US)

(\*\*) Term: **15 Years**

(21) Appl. No.: **29/605,381**

(22) Filed: **May 25, 2017**

(51) **LOC (11) Cl.** ..... **06-03**

(52) **U.S. Cl.**  
USPC ..... **D6/691.4**

(58) **Field of Classification Search**  
USPC ..... D6/641, 657, 685, 686, 689, 690, 691, D6/691.1, 691.2, 691.3, 691.4, 691.5, D6/691.6, 691.7, 691.8, 691.9, 699, D6/699.1, 699.2, 699.3, 699.4, 699.5, D6/702, 707, 707.15, 707.19, 708, 709  
CPC .. A47B 37/00; A47B 3/00; A47B 1/00; A47B 3/06; A47B 3/08; A47B 3/0912; A47B 7/00; A47B 21/00; A47B 23/00; A47B 25/00; A47B 13/08; A47B 3/083; A47B 3/14; A47B 41/00; A47B 17/00; A47B 3/0809; A47B 3/0812; A47B 2013/026; A47B 2200/03; A47B 2200/00; A47B 2003/0821; A47C 3/045  
See application file for complete search history.

(56) **References Cited**

**U.S. PATENT DOCUMENTS**

2,131,900 A \* 10/1938 Morgan ..... A47B 13/08 144/353  
D511,912 S \* 11/2005 Blonder ..... D6/691.4  
D559,015 S \* 1/2008 Soressi ..... D6/690

D616,227 S \* 5/2010 Dordoni ..... D6/691.4  
D665,602 S \* 8/2012 Muller ..... D6/708  
D675,847 S \* 2/2013 Mehran ..... D6/691  
D784,741 S \* 4/2017 Mann ..... D6/656.16  
D799,251 S \* 10/2017 Conway ..... D6/702

**OTHER PUBLICATIONS**

La Gravite, posted at Hudsonfurnitureinc.com, published in 2017, site visited Mar. 1, 2018. online, available from internet: <https://hudsonfurnitureinc.com/PDFcollection/?c=39&a=1032>.\*

\* cited by examiner

*Primary Examiner* — Mary Ann Calabrese

*Assistant Examiner* — Catherine Ho

(74) *Attorney, Agent, or Firm* — Hodgson Russ LLP

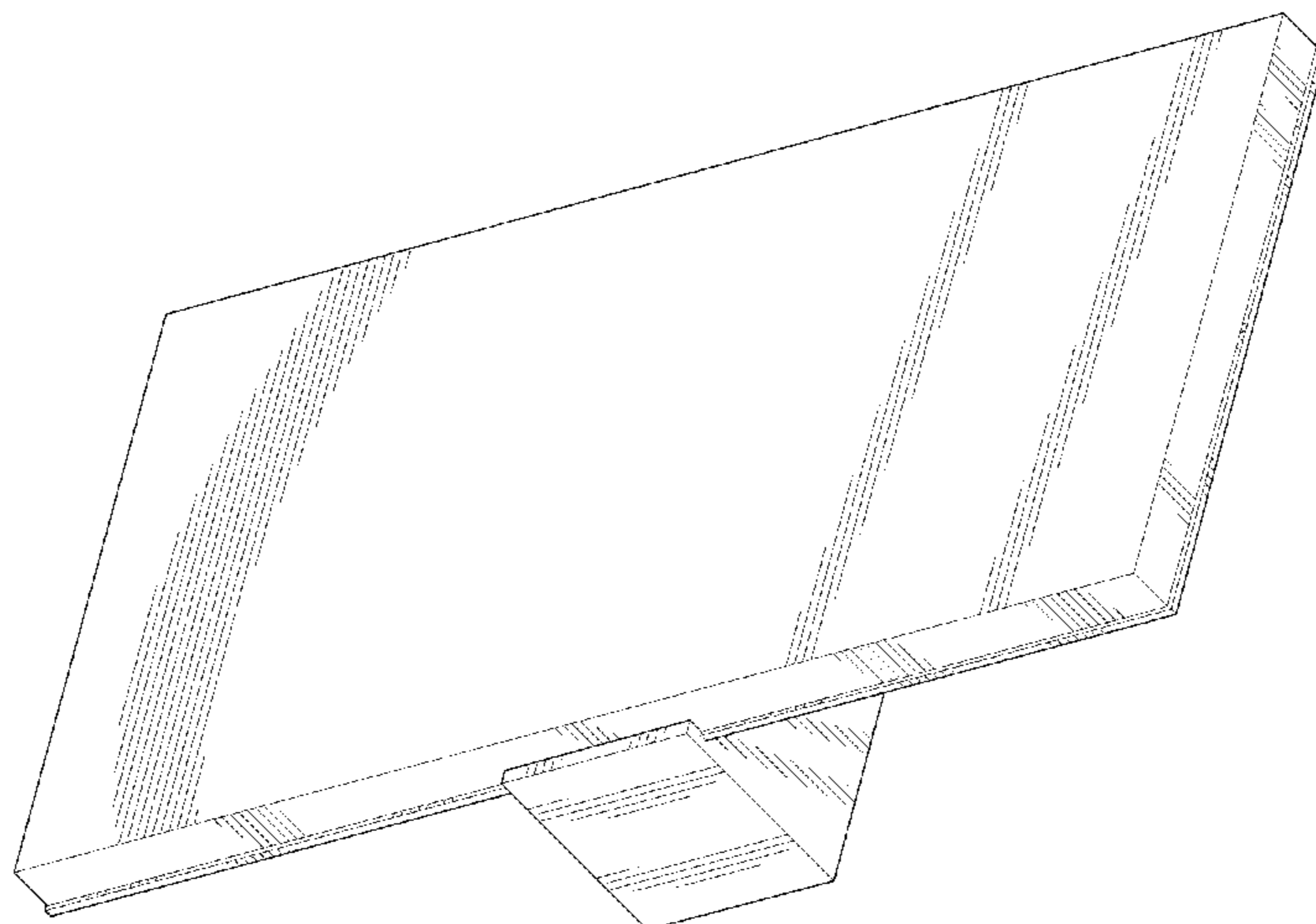
(57) **CLAIM**

The ornamental design for a table, as shown and described.

**DESCRIPTION**

FIG. 1 is a perspective view of a first embodiment of a table; FIG. 2 is a front elevation view thereof; FIG. 3 is a rear elevation view thereof; FIG. 4 is a left side elevation view thereof; FIG. 5 is a right side view thereof; FIG. 6 is a top plan view thereof; FIG. 7 is a bottom plan view thereof; FIG. 8 is a perspective view of a second embodiment of a table; FIG. 9 is a front elevation view thereof; FIG. 10 is a rear elevation view thereof; FIG. 11 is a left side elevation view thereof; FIG. 12 is a right side view thereof; FIG. 13 is a top plan view thereof; and, FIG. 14 is a bottom plan view thereof.  
The plain and stippled surfaces represent a contrast of appearance.

**1 Claim, 10 Drawing Sheets**



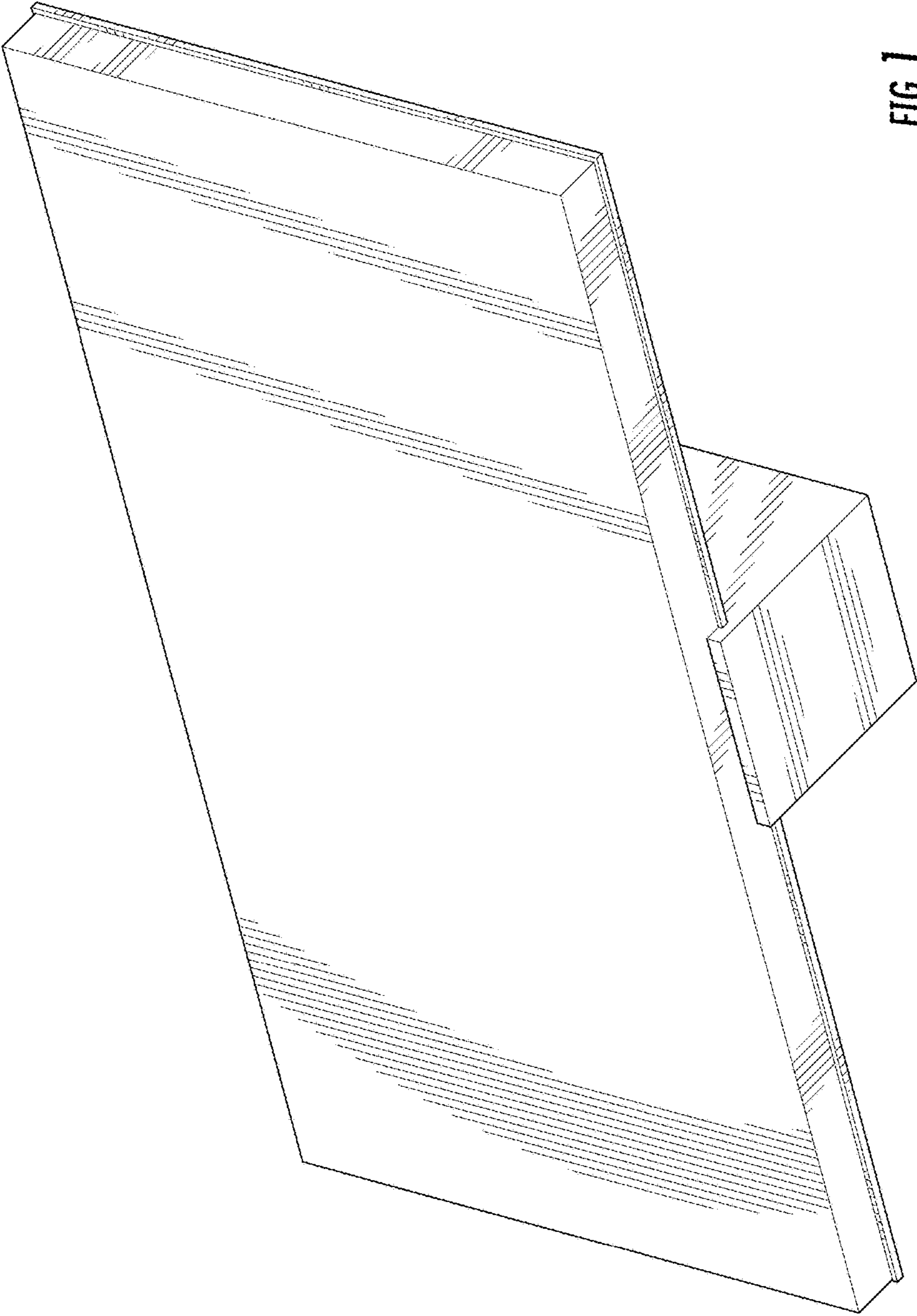
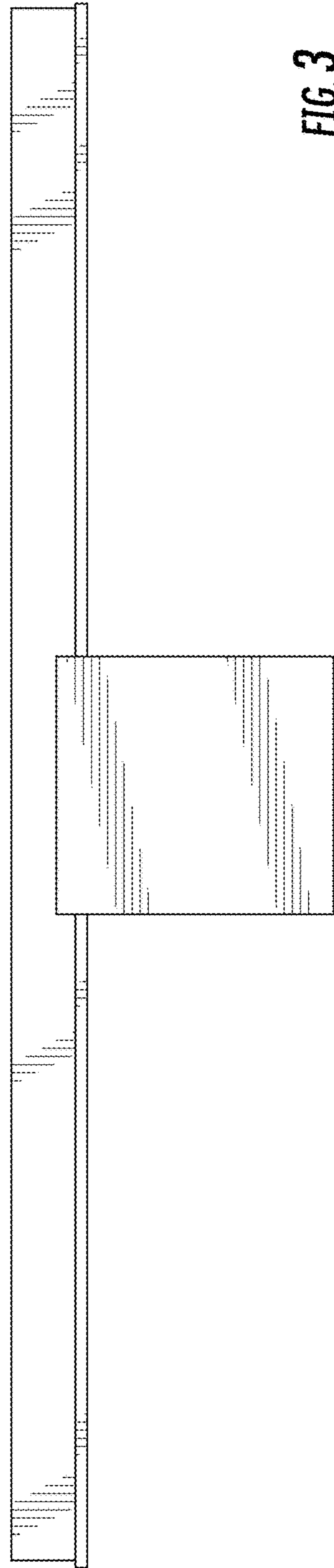
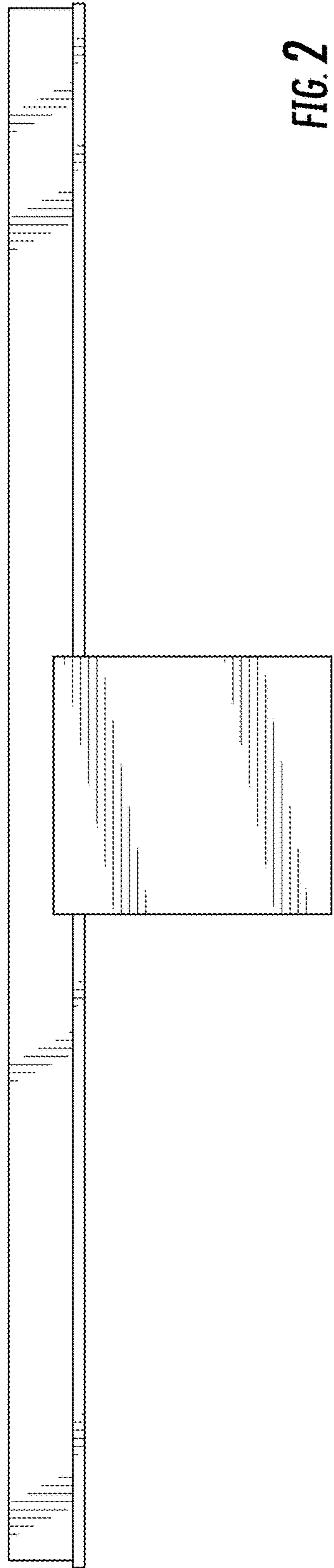
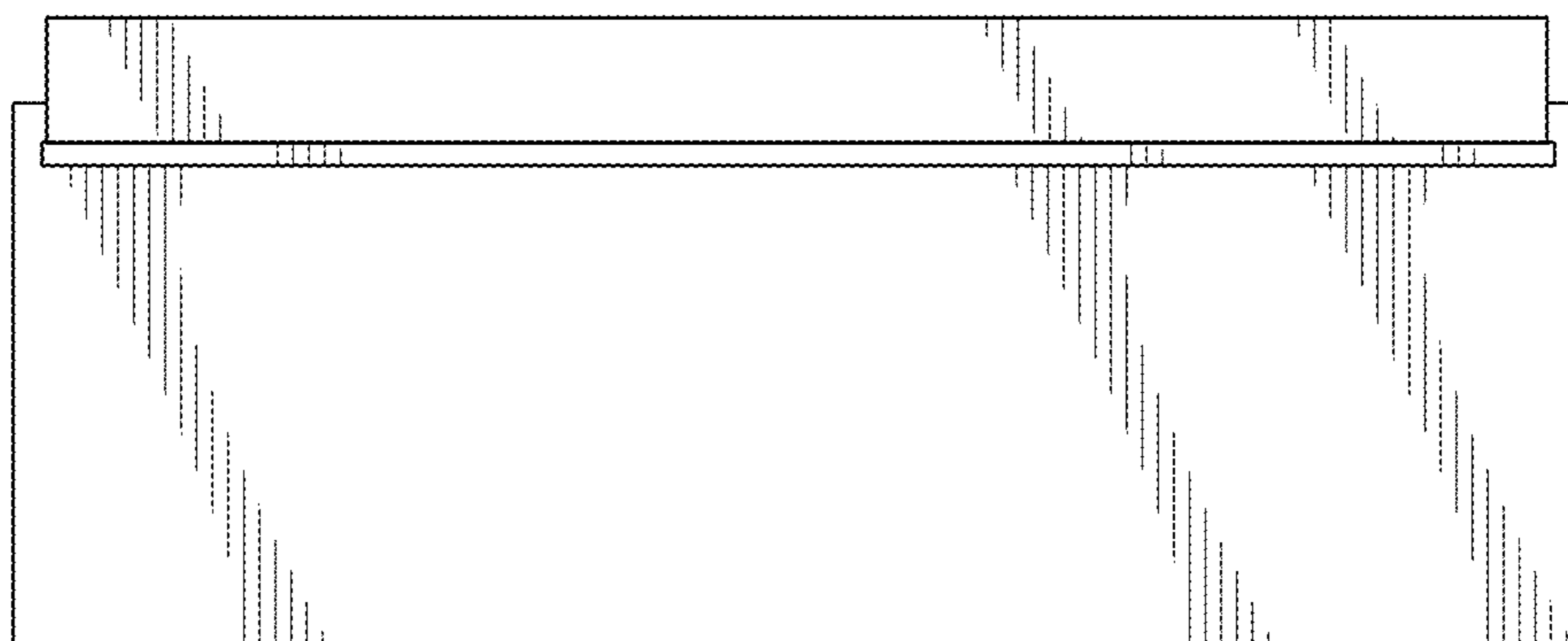
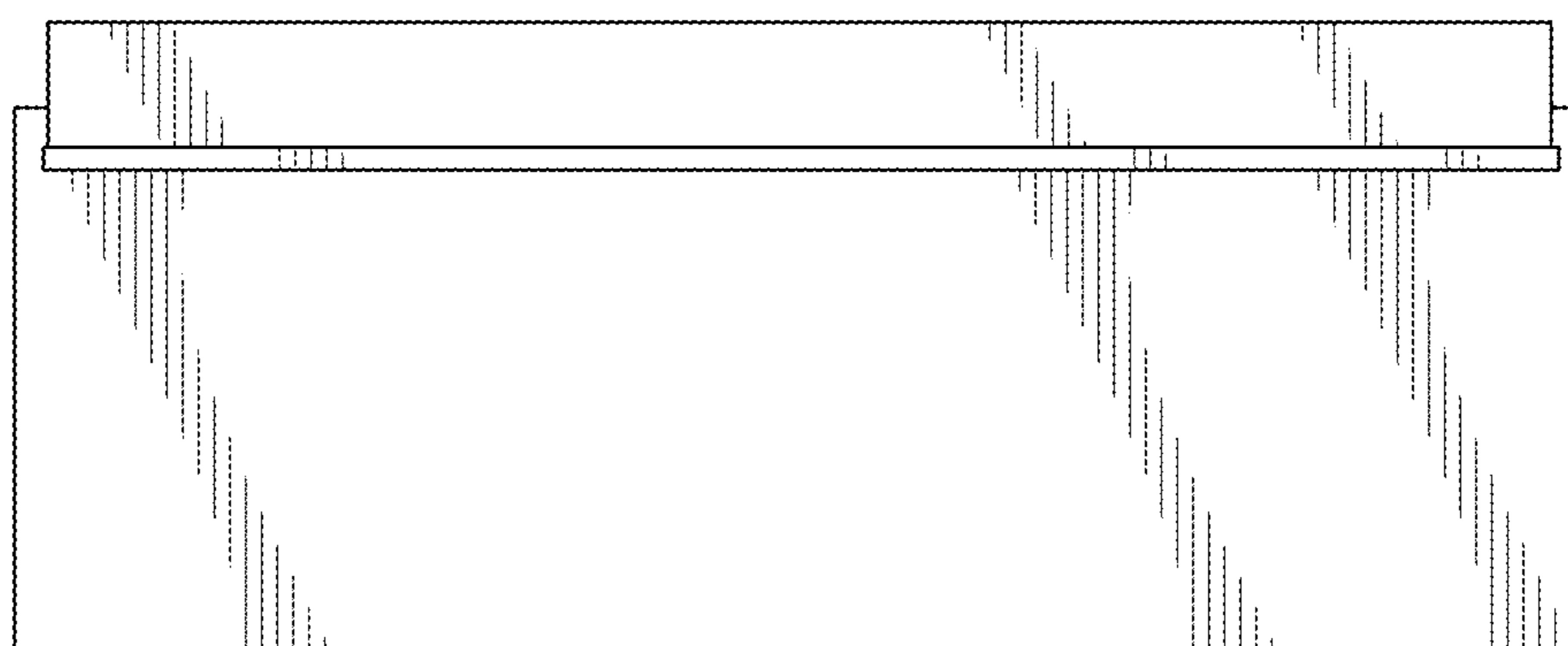


FIG. 1





**FIG. 4**



**FIG. 5**

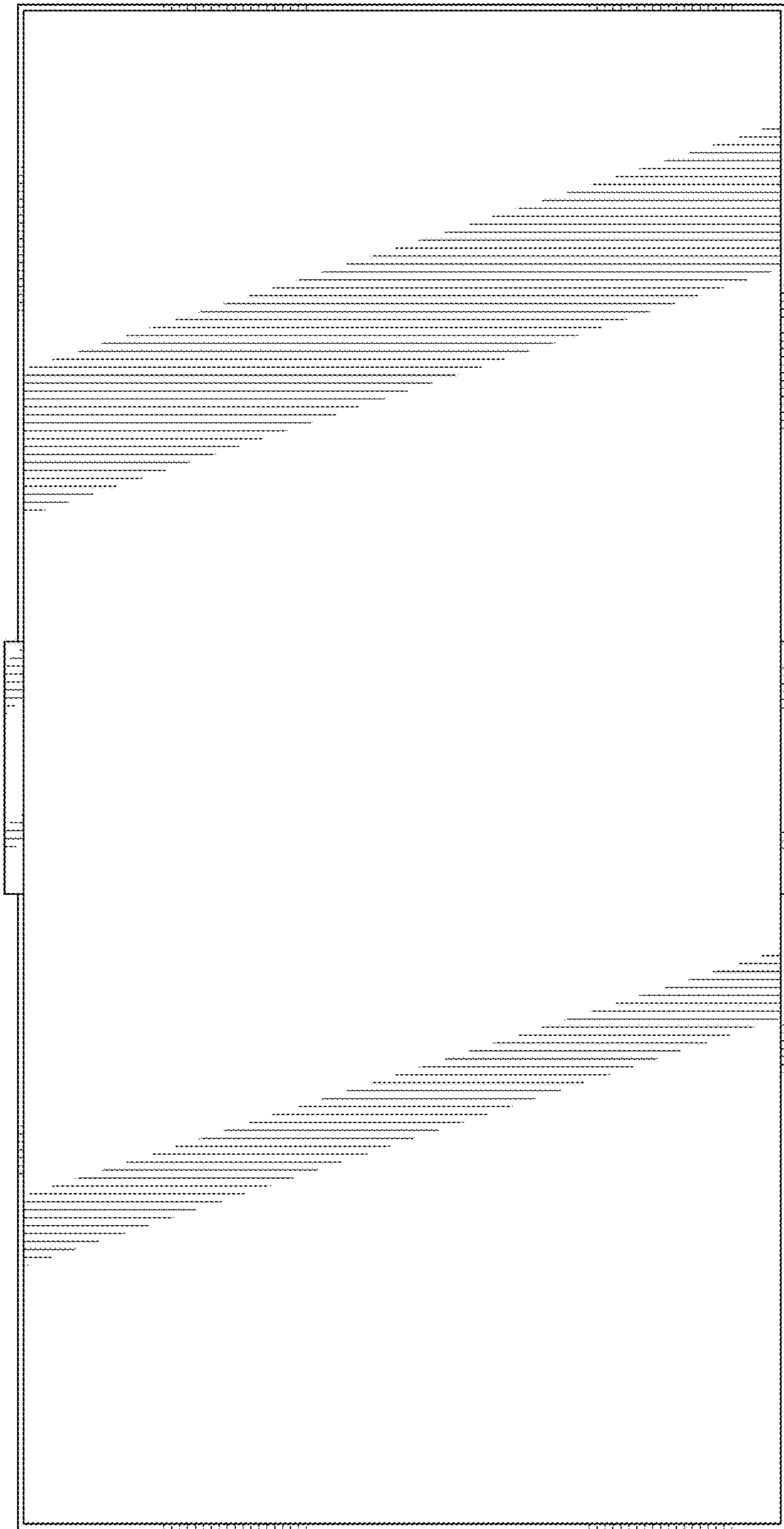


FIG. 6

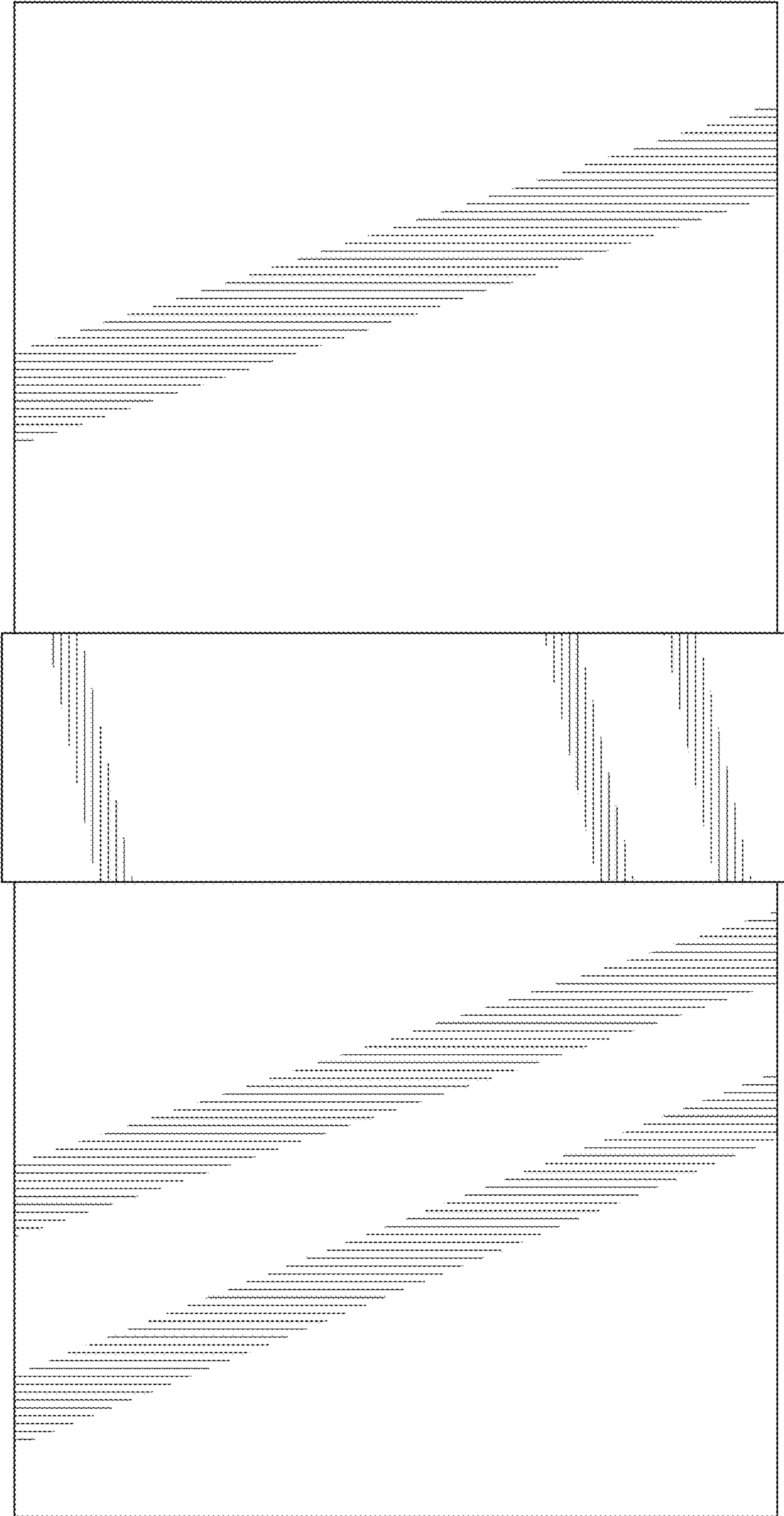


FIG. 7

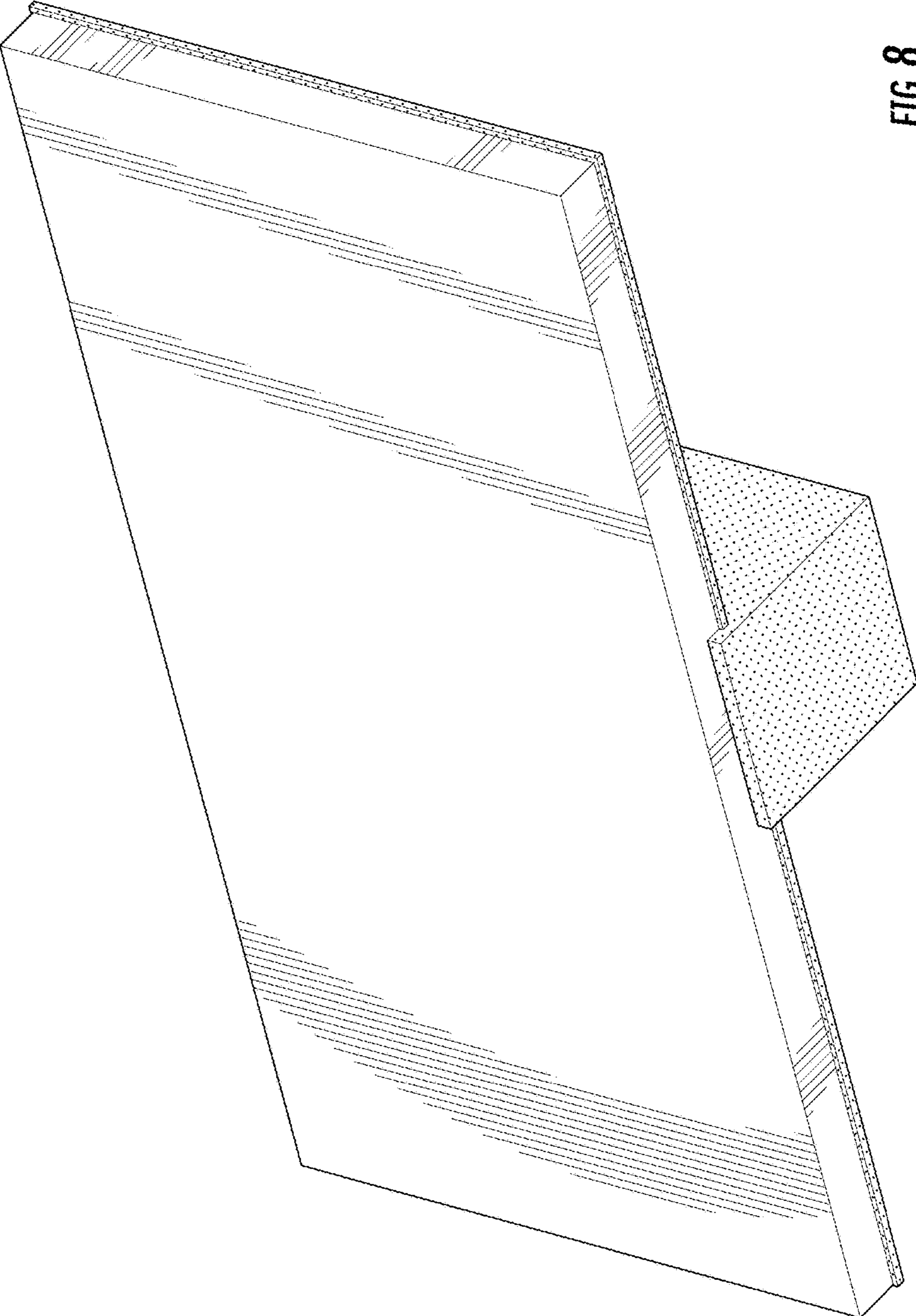


FIG. 8

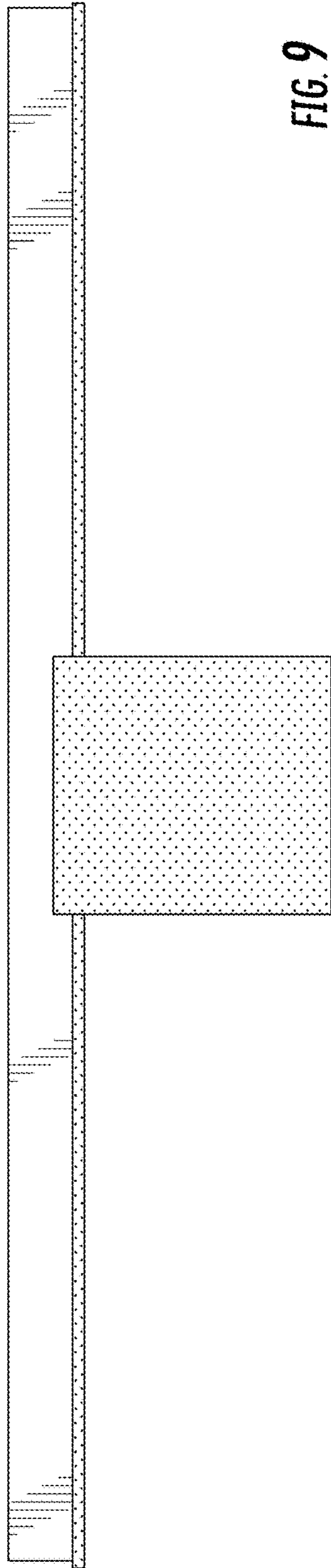


FIG. 9

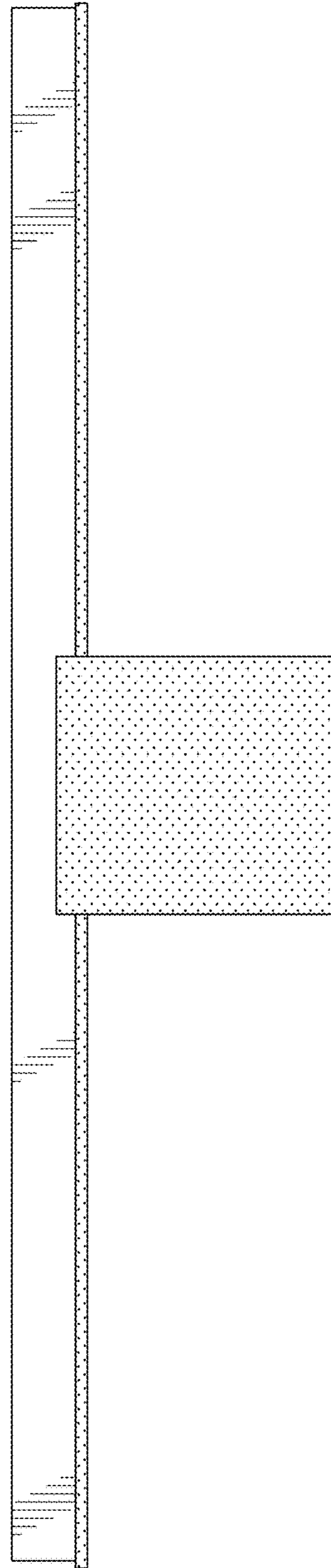
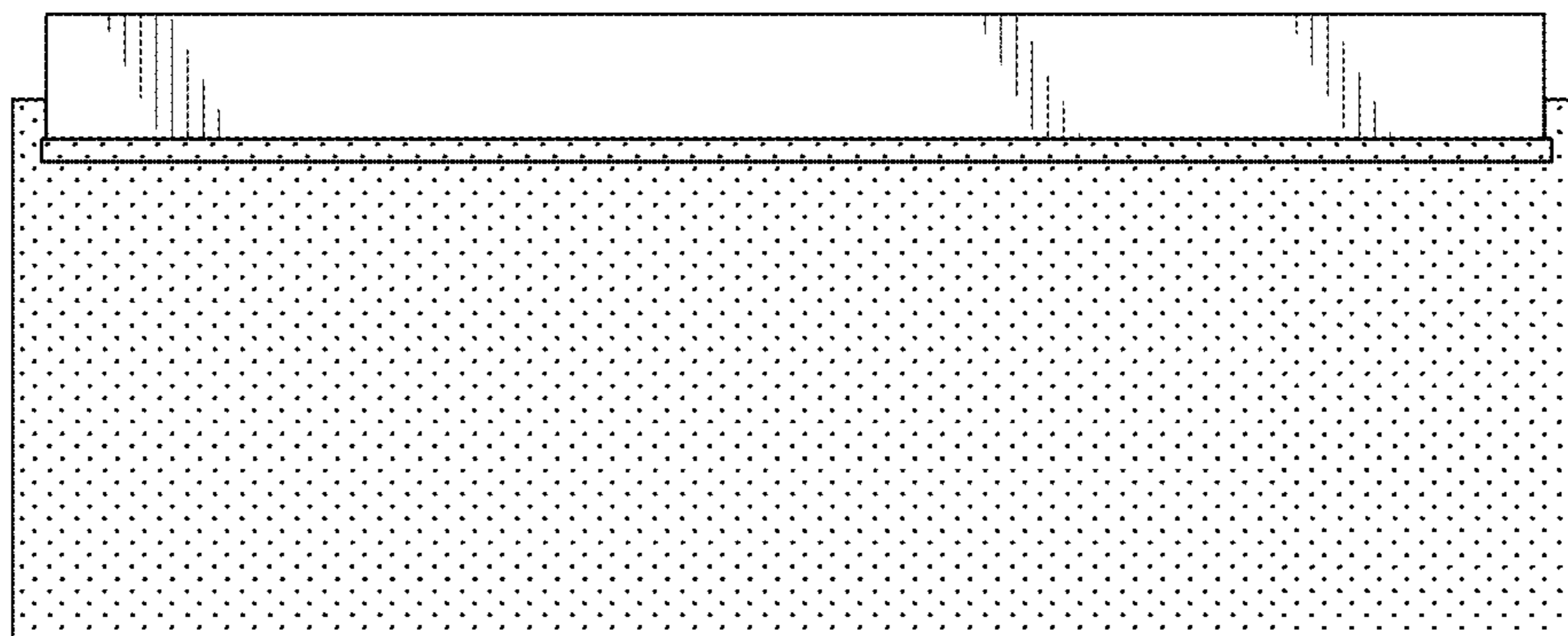
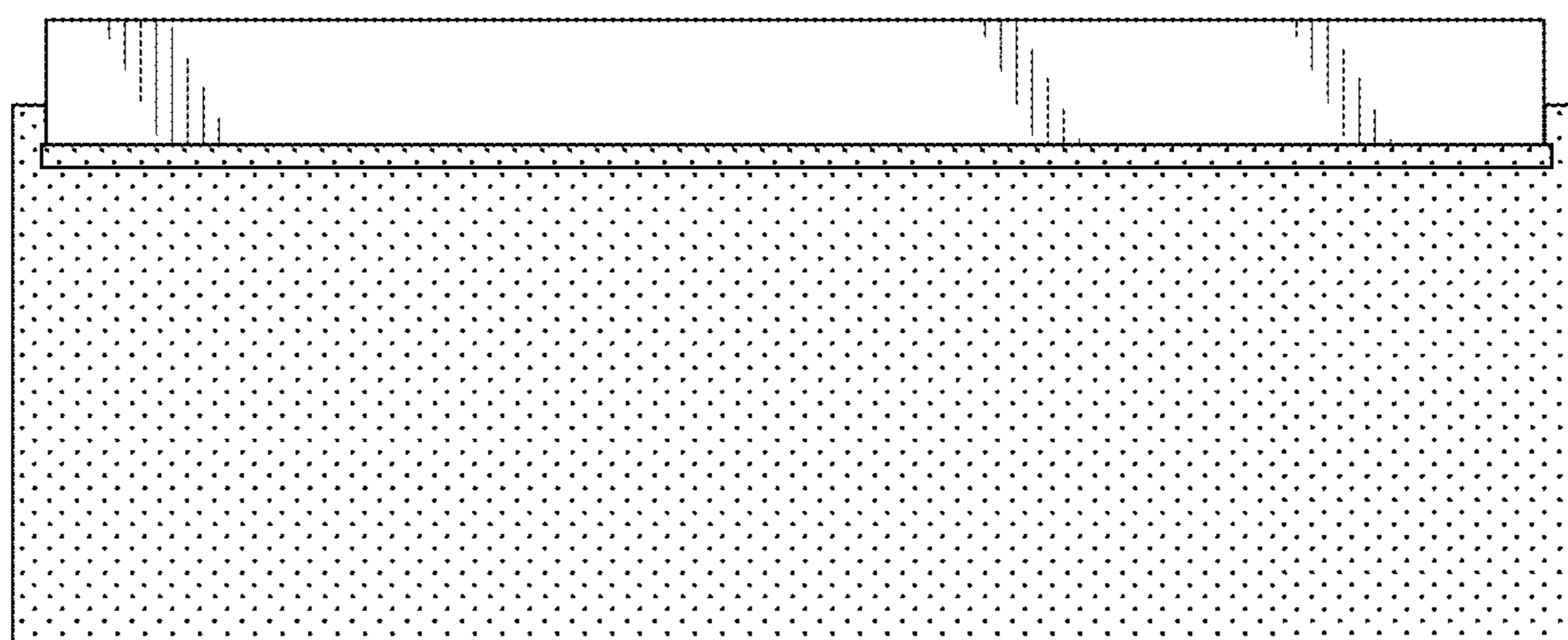


FIG. 10





**FIG. 11**



**FIG. 12**

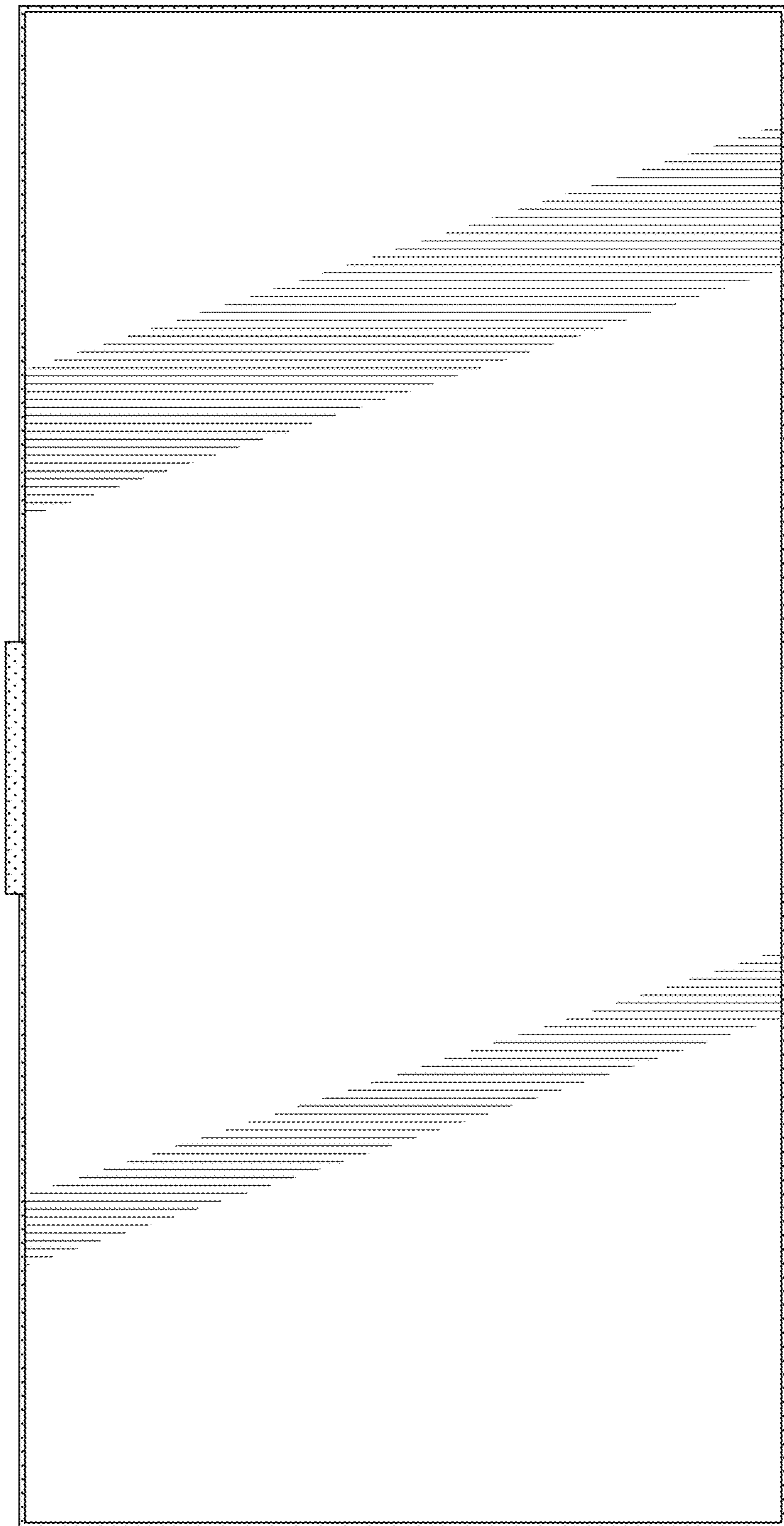


FIG. 13



**FIG. 14**