



US00D817036S

(12) **United States Design Patent**
Palma et al.

(10) **Patent No.:** **US D817,036 S**

(45) **Date of Patent:** **** May 8, 2018**

(54) **TABLE**

(71) Applicant: **Williams-Sonoma, Inc.**, San Francisco, CA (US)

(72) Inventors: **Nicholas Palma**, Danville, CA (US); **J. Douglas Mitchell**, Walnut Creek, CA (US)

(73) Assignee: **Williams-Sonoma, Inc.**, San Francisco, CA (US)

(**) Term: **15 Years**

(21) Appl. No.: **29/590,639**

(22) Filed: **Jan. 12, 2017**

(51) **LOC (11) Cl.** **06-03**

(52) **U.S. Cl.**
USPC **D6/656.17**

(58) **Field of Classification Search**
USPC ... D6/641, 656.17, 657, 685, 686, 689, 690, D6/691, 691.1, 691.2, 691.3, 691.4, D6/691.5, 691.6, 691.7, 691.8, 691.9, D6/699, 699.1, 699.2, 699.3, 699.4, D6/699.5, 702, 707, 707.15, 707.19, 708, D6/709

CPC .. A47B 37/00; A47B 3/00; A47B 1/00; A47B 3/06; A47B 3/08; A47B 3/0912; A47B 7/00; A47B 21/00; A47B 23/00; A47B 25/00; A47B 13/08; A47B 3/083; A47B 3/14; A47B 41/00; A47B 17/00; A47B 3/0809; A47B 3/0812; A47B 2013/026; A47B 2200/03; A47B 2200/00; A47B 2003/0821; A47C 3/045

See application file for complete search history.

(56) **References Cited**

U.S. PATENT DOCUMENTS

D236,058 S * 7/1975 Kramer D6/656.17
D303,882 S * 10/1989 Sottsas D6/652

D319,157 S * 8/1991 Frascaroli D6/656.17
D322,729 S * 12/1991 Diffrient D6/656.17
5,323,695 A * 6/1994 Borgman A47B 9/00
108/147
D352,406 S * 11/1994 Scheffers D6/656.17
D399,682 S * 10/1998 Lepper D6/656.17
D560,085 S * 1/2008 Glass D6/656.17
D596,878 S * 7/2009 Oshinomi D6/656.17
D644,044 S * 8/2011 Kitajima D6/656.17
D719,767 S * 12/2014 Scharer D6/656.17
D732,317 S * 6/2015 Chang D6/656.17
D794,982 S * 8/2017 Palma D6/656.17

OTHER PUBLICATIONS

Pittsburgh Crank Desk, posted at Youtube.com, posted on Jul. 7, 2016, site visited Mar. 5, 2018. online, available from internet: <https://www.youtube.com/watch?v=gmo-F6bkwvM>.*

* cited by examiner

Primary Examiner — Mary Ann Calabrese

Assistant Examiner — Catherine Ho

(74) *Attorney, Agent, or Firm* — Cook Alex Ltd.; R. Blake Johnston

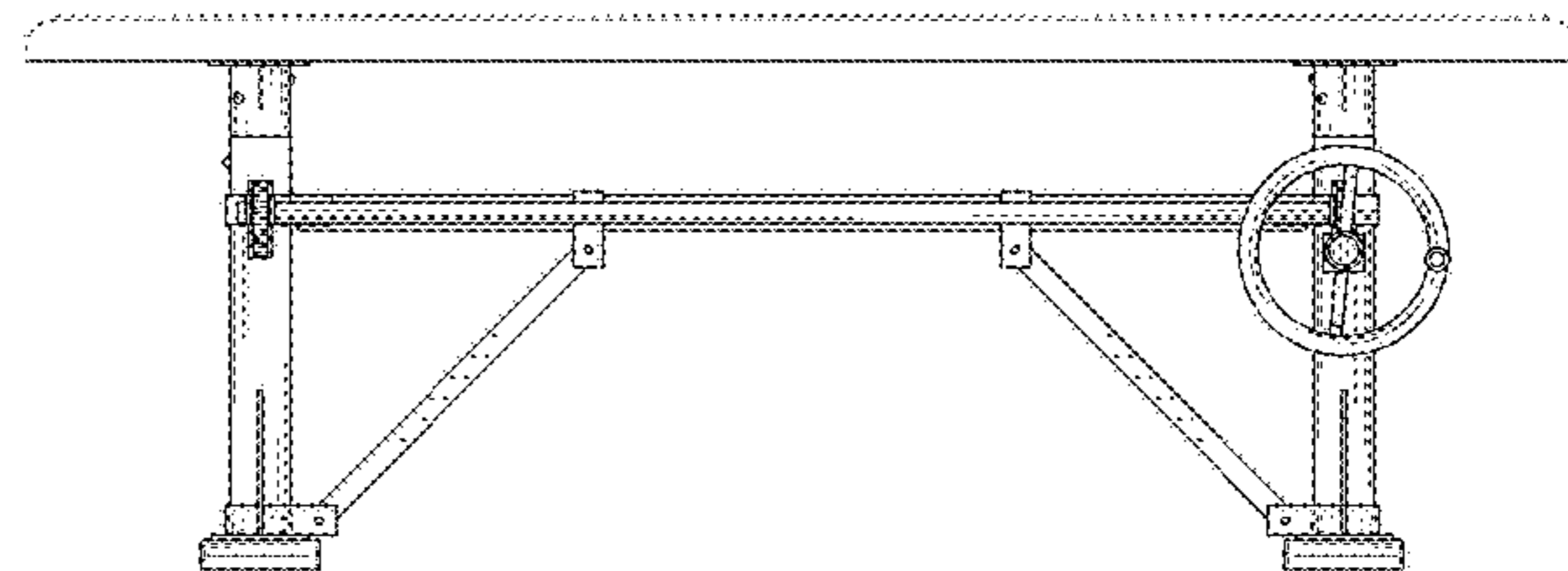
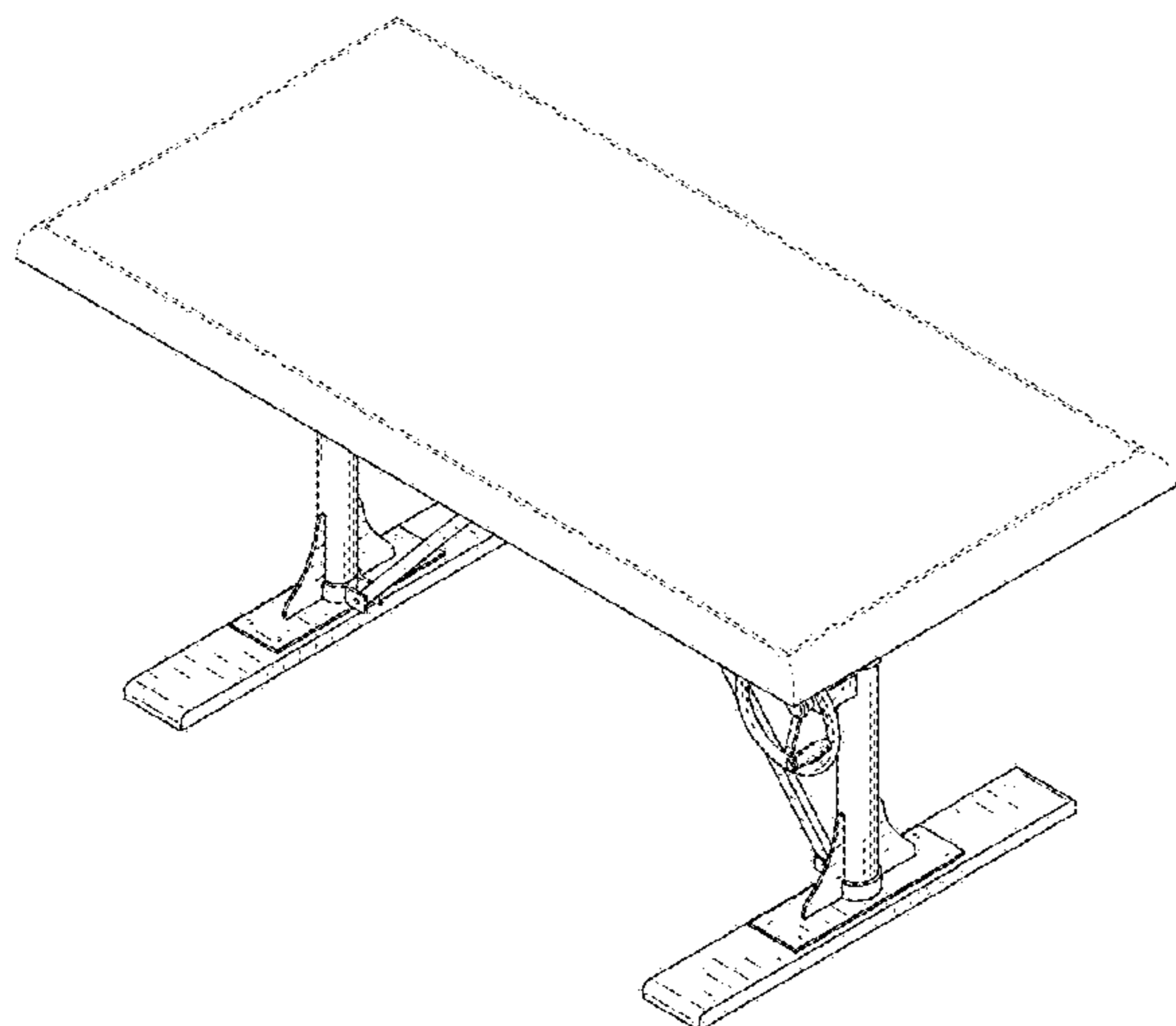
(57) **CLAIM**

The ornamental design for a table, as shown and described.

DESCRIPTION

FIG. 1 is a perspective view of the table;
FIG. 2 is a front elevational view of the table;
FIG. 3 is a rear elevational view of the table;
FIG. 4 is a left side elevational view of the table;
FIG. 5 is a right side elevational view of the table;
FIG. 6 is a top plan view of the table; and,
FIG. 7 is a bottom plan view of the table.
The broken line portion of the figure drawings is included to show portions of the article that form no part of the claimed design.

1 Claim, 5 Drawing Sheets



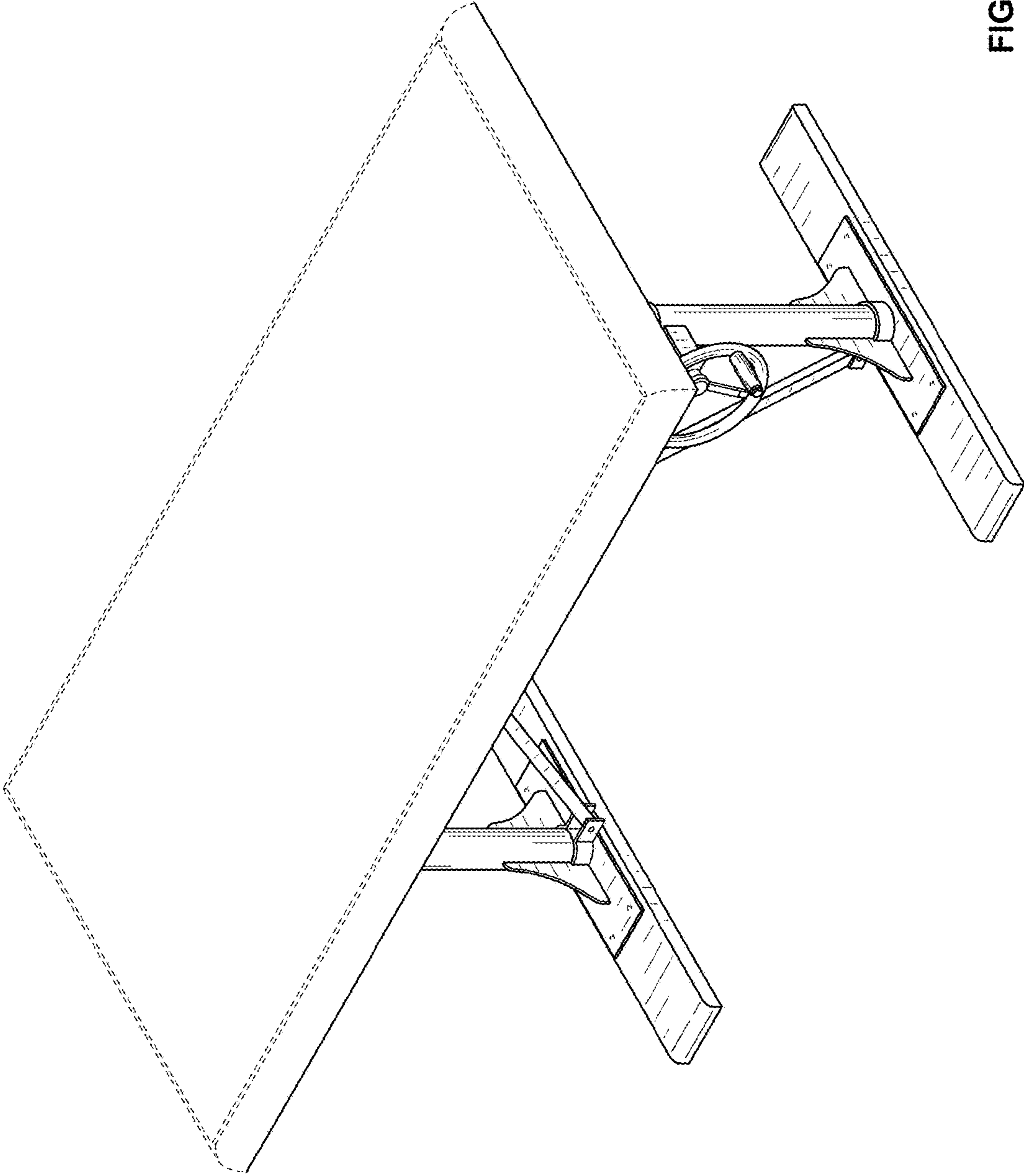


FIG. 1

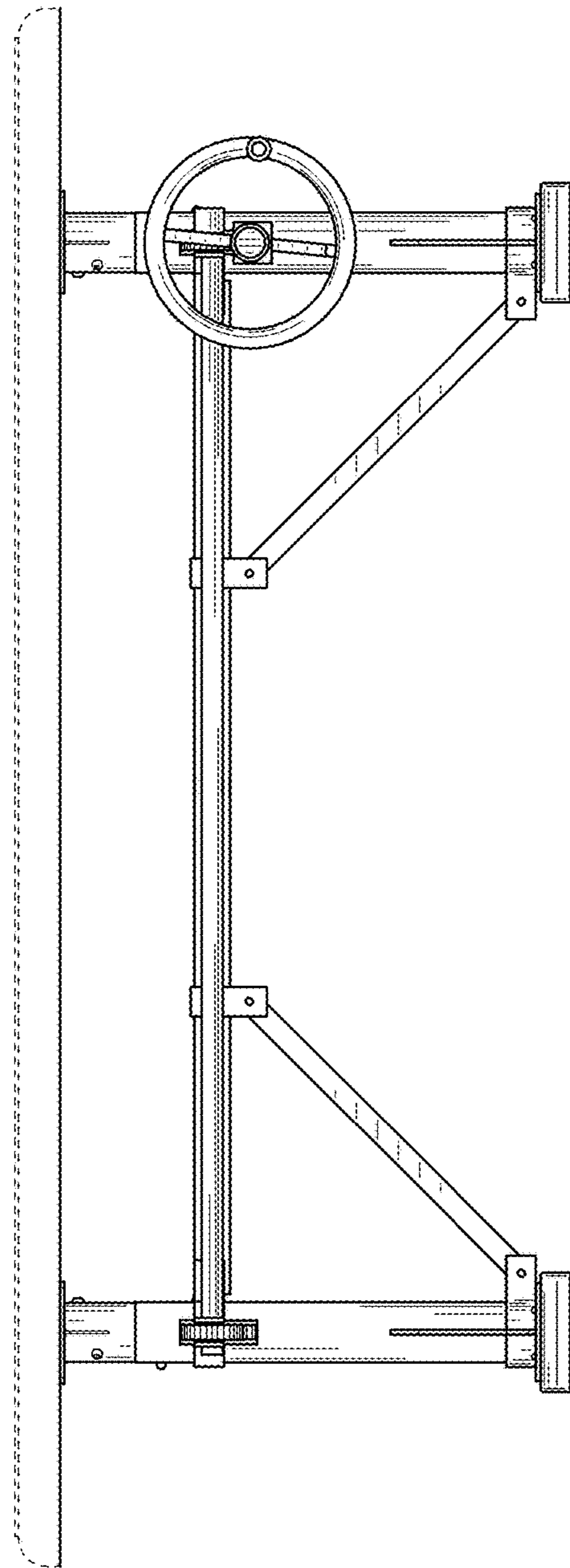


FIG. 2

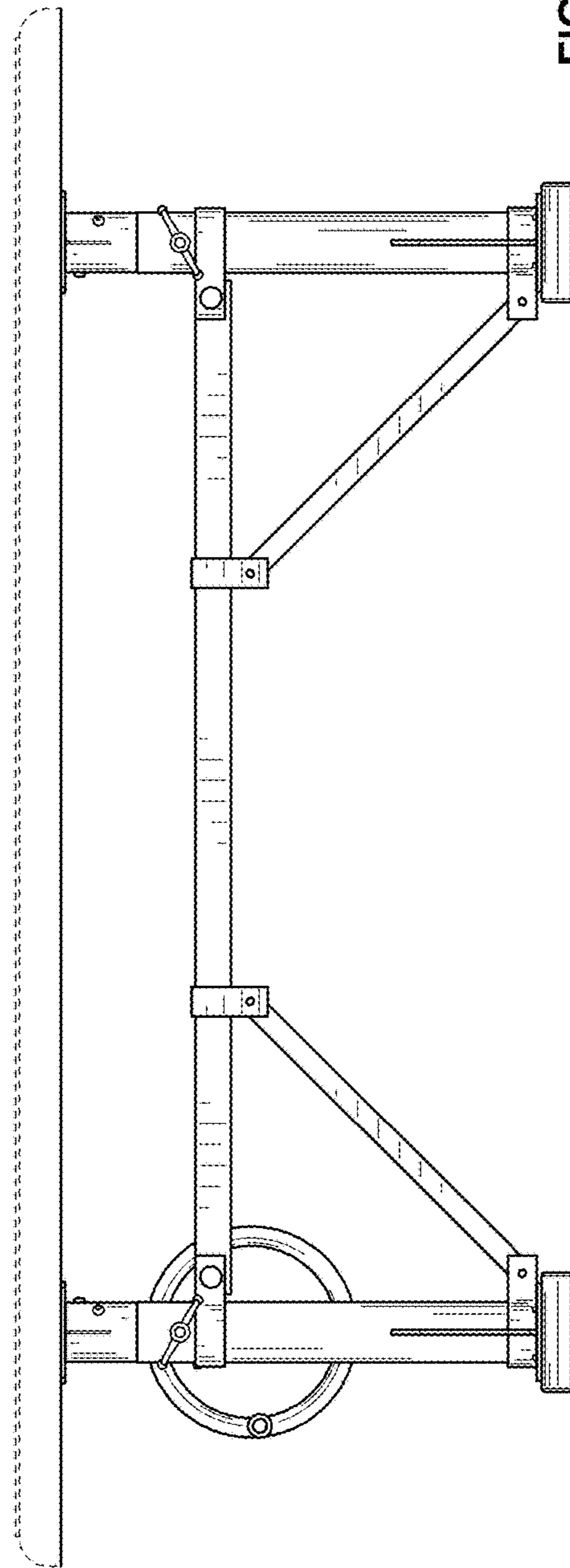


FIG. 3

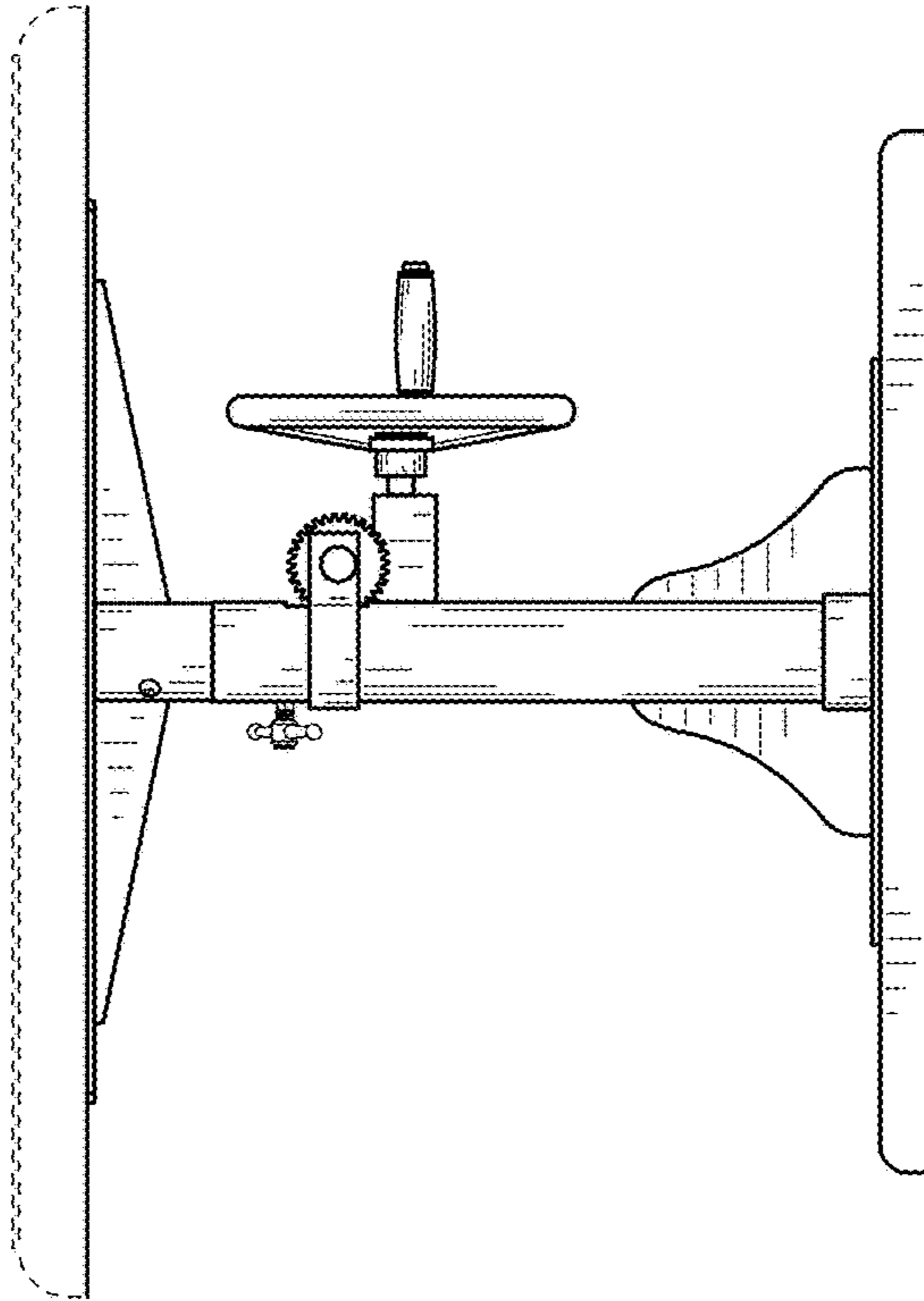


FIG. 5

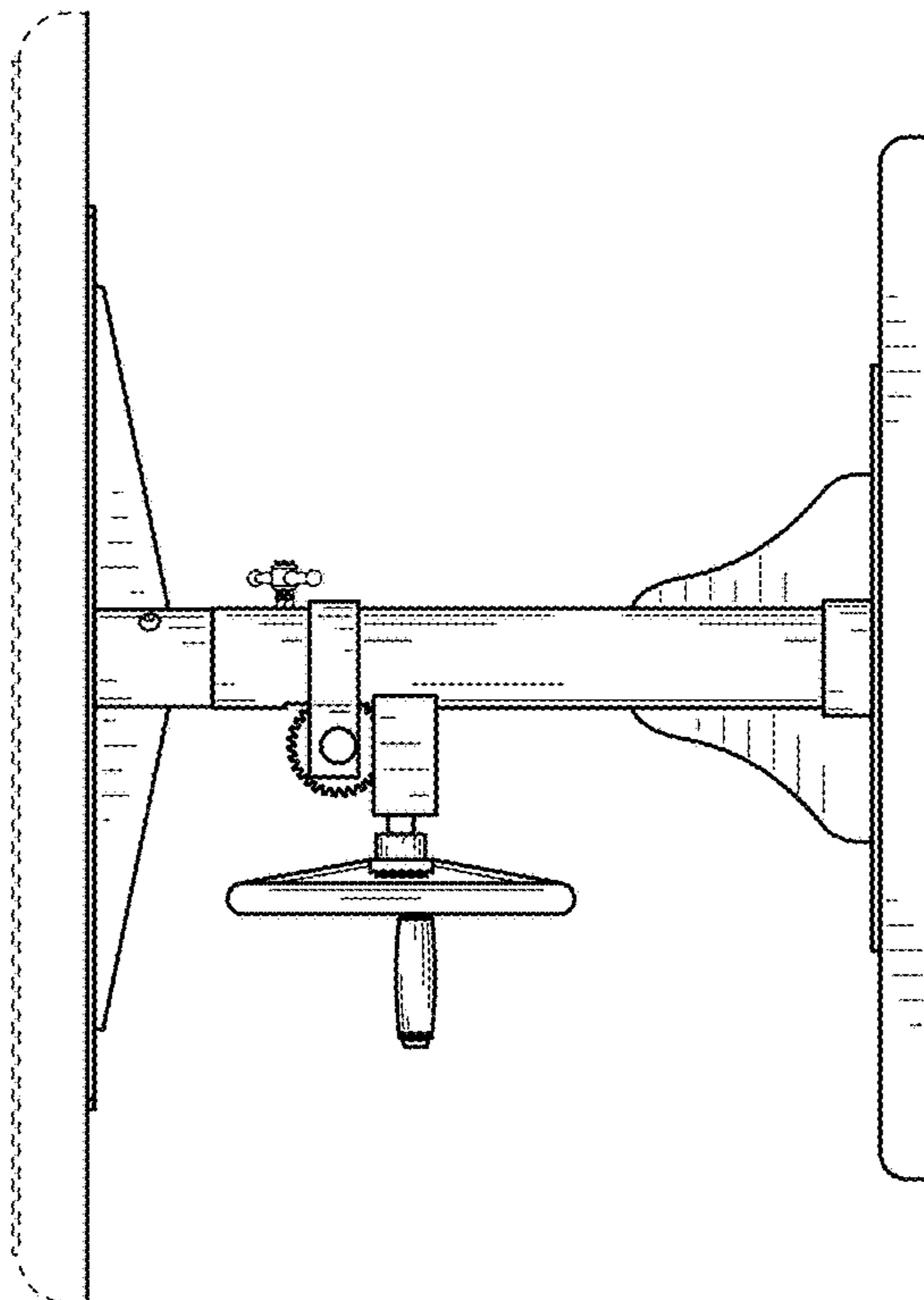


FIG. 4

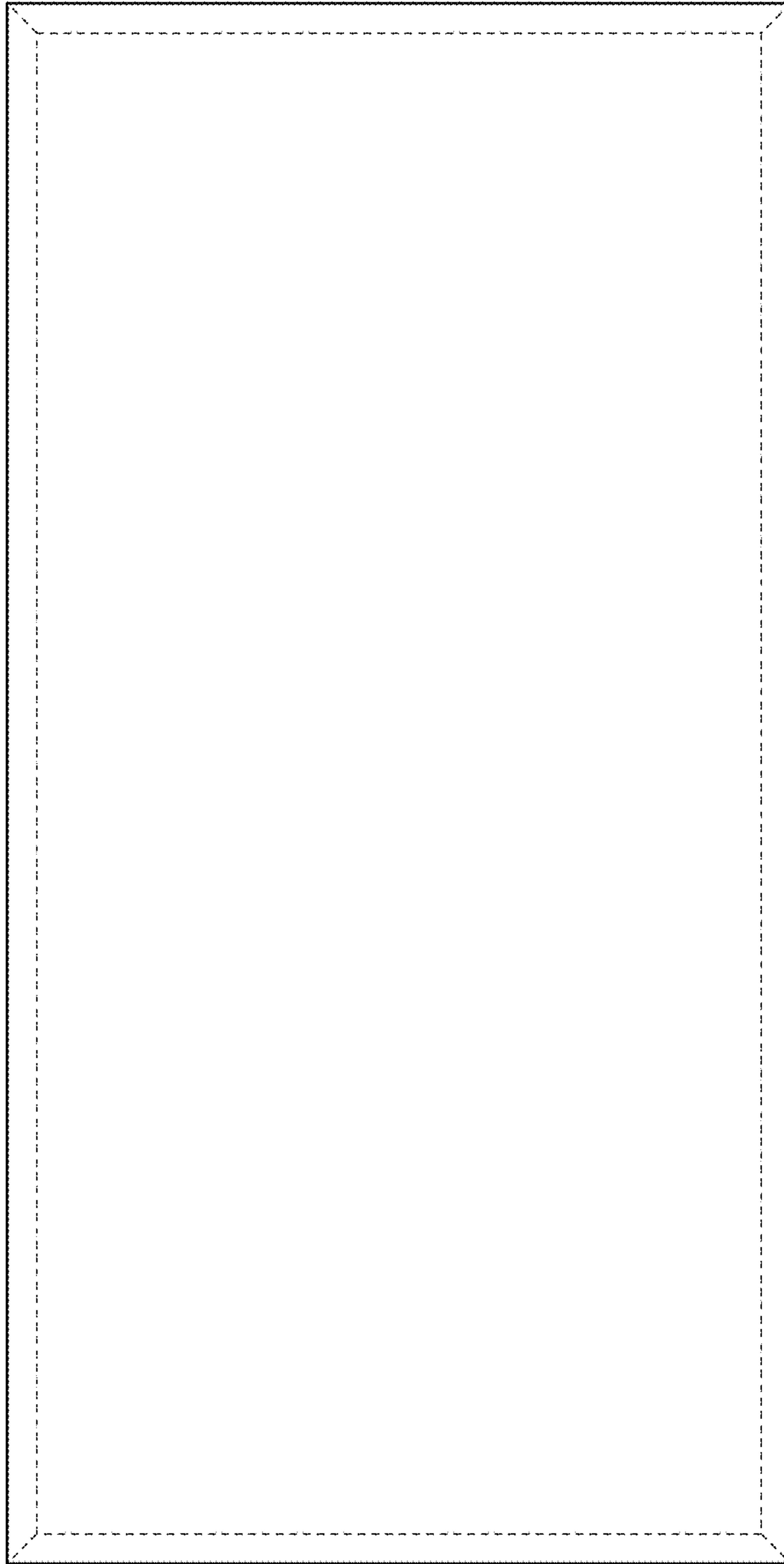


FIG. 6

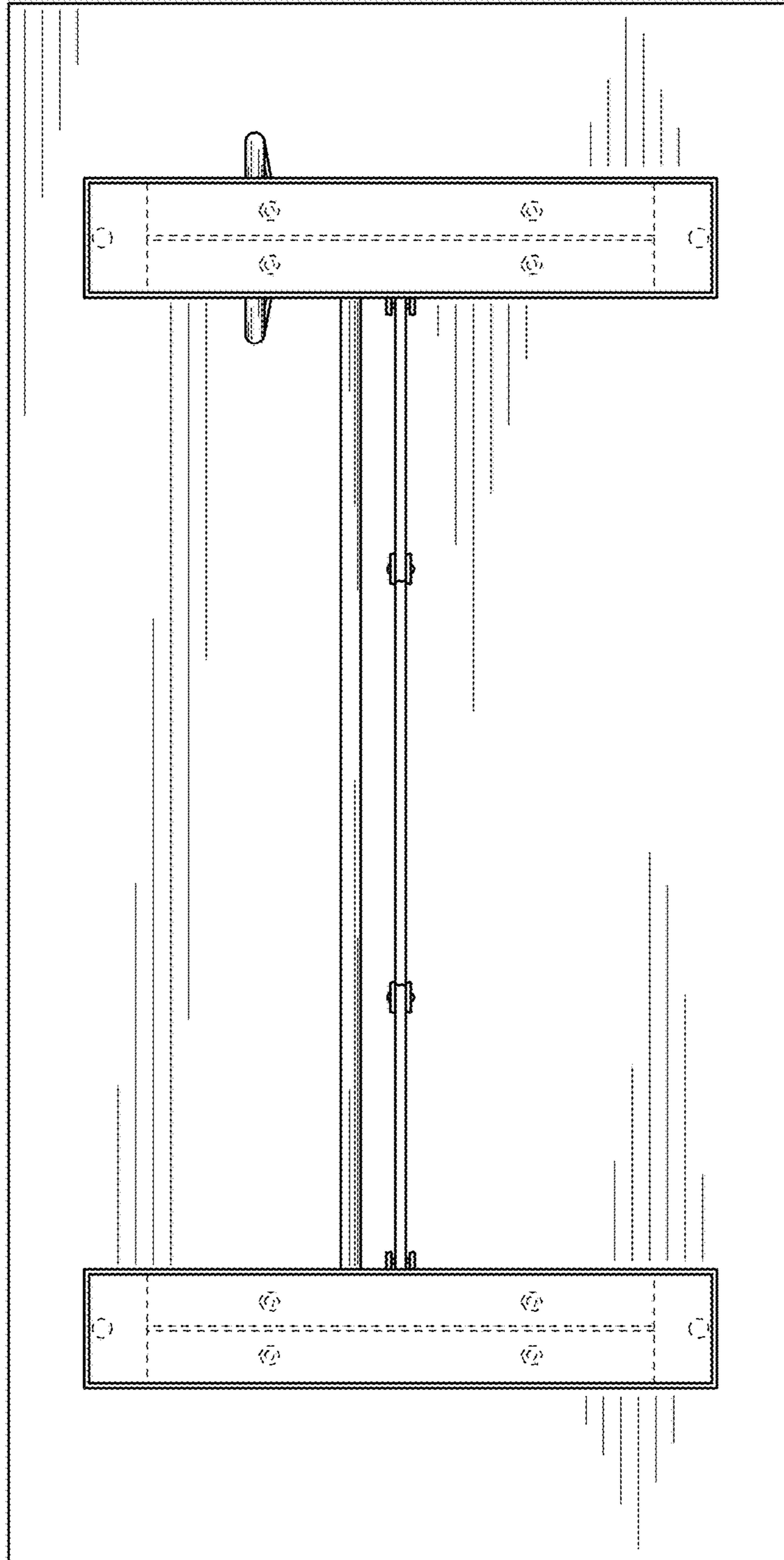


FIG. 7