



US00D817035S

(12) **United States Design Patent**  
**Scherer**

(10) **Patent No.:** **US D817,035 S**

(45) **Date of Patent:** **\*\* May 8, 2018**

(54) **TABLE**

(71) Applicant: **Sebastian Scherer**, Berlin (DE)

(72) Inventor: **Sebastian Scherer**, Berlin (DE)

(\*\*) Term: **15 Years**

(21) Appl. No.: **35/501,501**

(22) Filed: **Mar. 9, 2016**

(80) **Hague Agreement Data**

Int. Filing Date: **Mar. 9, 2016**

Int. Reg. No.: **DM/090215**

Int. Reg. Date: **Mar. 9, 2016**

Int. Reg. Pub. Date: **Sep. 9, 2016**

(51) **LOC (11) Cl.** ..... **06-03**

(52) **U.S. Cl.**

USPC ..... **D6/649**; D6/695.5

(58) **Field of Classification Search**

USPC ..... D6/641, 685, 690, 642, 644, 649, 656,  
D6/656.1, 695, 695.2, 695.5, 697, 697.2,  
D6/349, 381

CPC ..... A47B 7/00; A47B 13/00; A47B 13/003;  
A47B 13/02; A47B 13/08; A47B 21/00;  
A47B 87/002; A47B 2200/0001; A47B  
2200/0011; A47B 2200/0066

See application file for complete search history.

(56) **References Cited**

**U.S. PATENT DOCUMENTS**

3,053,598 A \* 9/1962 Cheslow ..... A47B 87/002  
108/64

D225,712 S \* 1/1973 McDonald ..... D6/691  
D238,407 S \* 1/1976 Owens ..... D6/690  
D313,708 S \* 1/1991 Frank ..... D6/690  
D325,139 S \* 4/1992 Jeghers ..... D6/695.3  
D506,330 S \* 6/2005 Martin ..... D6/695  
D655,952 S \* 3/2012 McCurry ..... D6/690  
D734,629 S \* 7/2015 Sorel ..... D6/690

\* cited by examiner

*Primary Examiner* — Mary Ann Calabrese

(74) *Attorney, Agent, or Firm* — JMB Davis Ben-David

(57) **CLAIM**

The ornamental design for a table, as shown and described.

**DESCRIPTION**

1. & 3. Tables

1.1 is a top view of a first embodiment showing my new design.

1.2 is a front view.

1.3 is a side view.

1.4 is a perspective view.

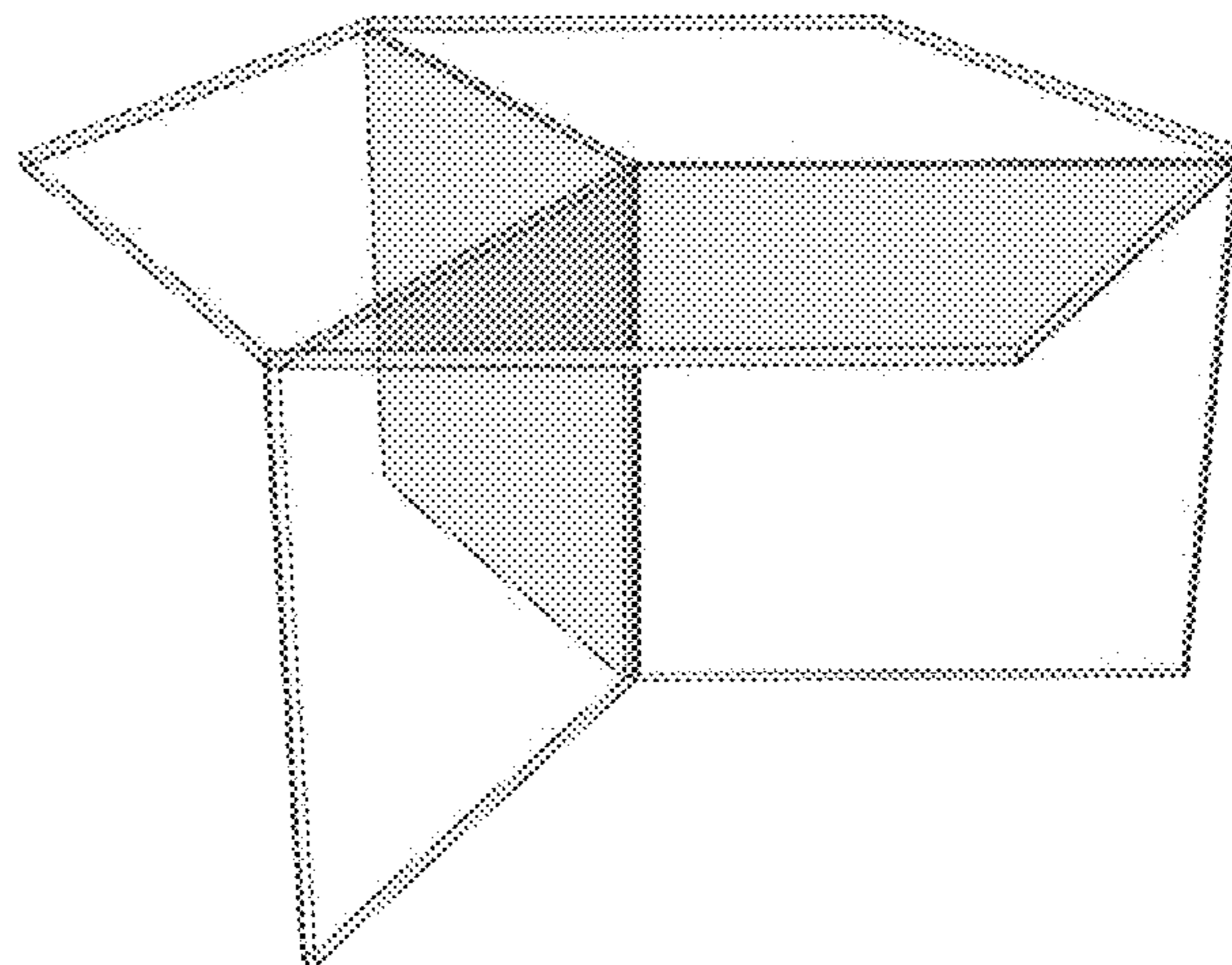
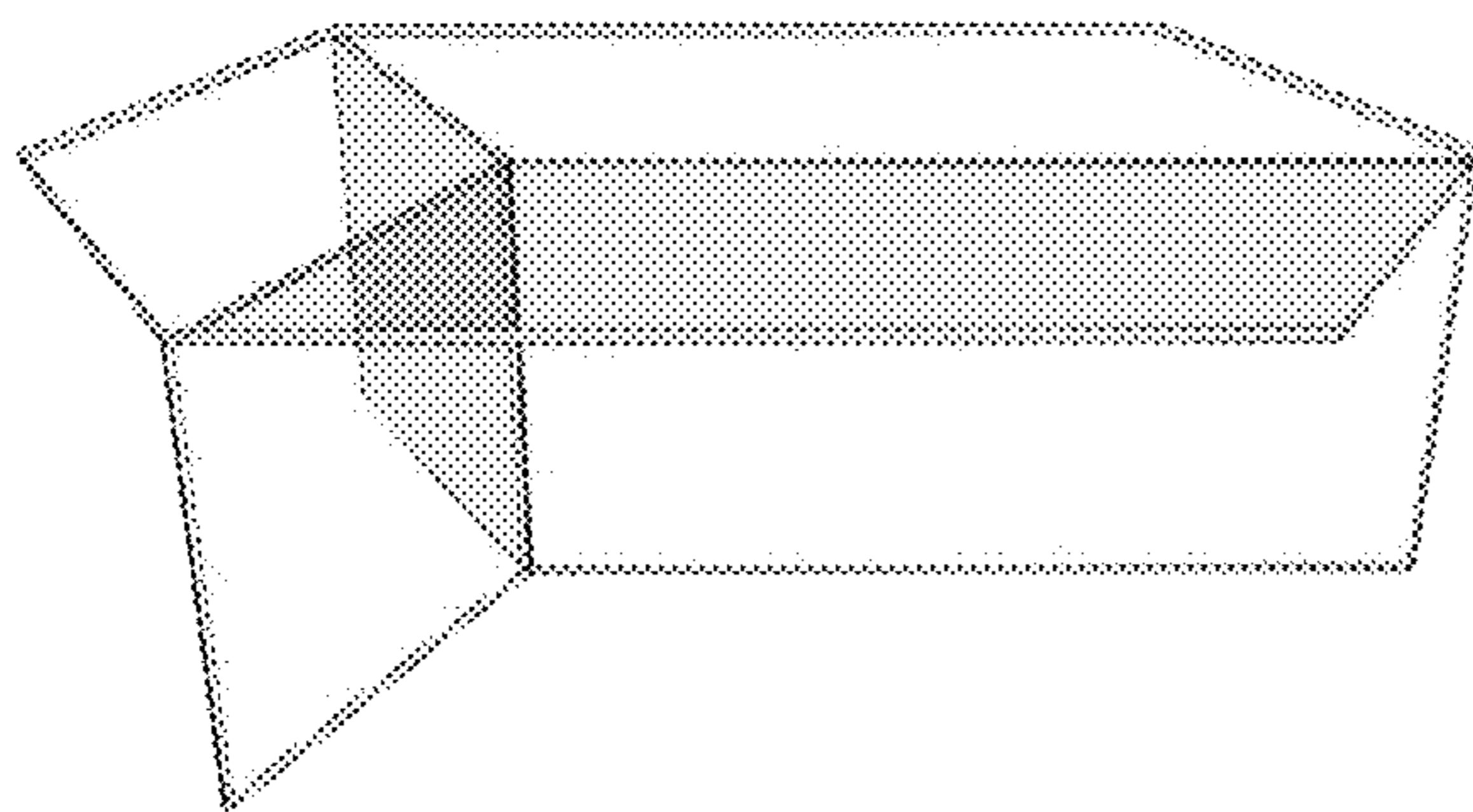
3.1 is a front view of a second embodiment showing my new design.

3.2 is a side view.

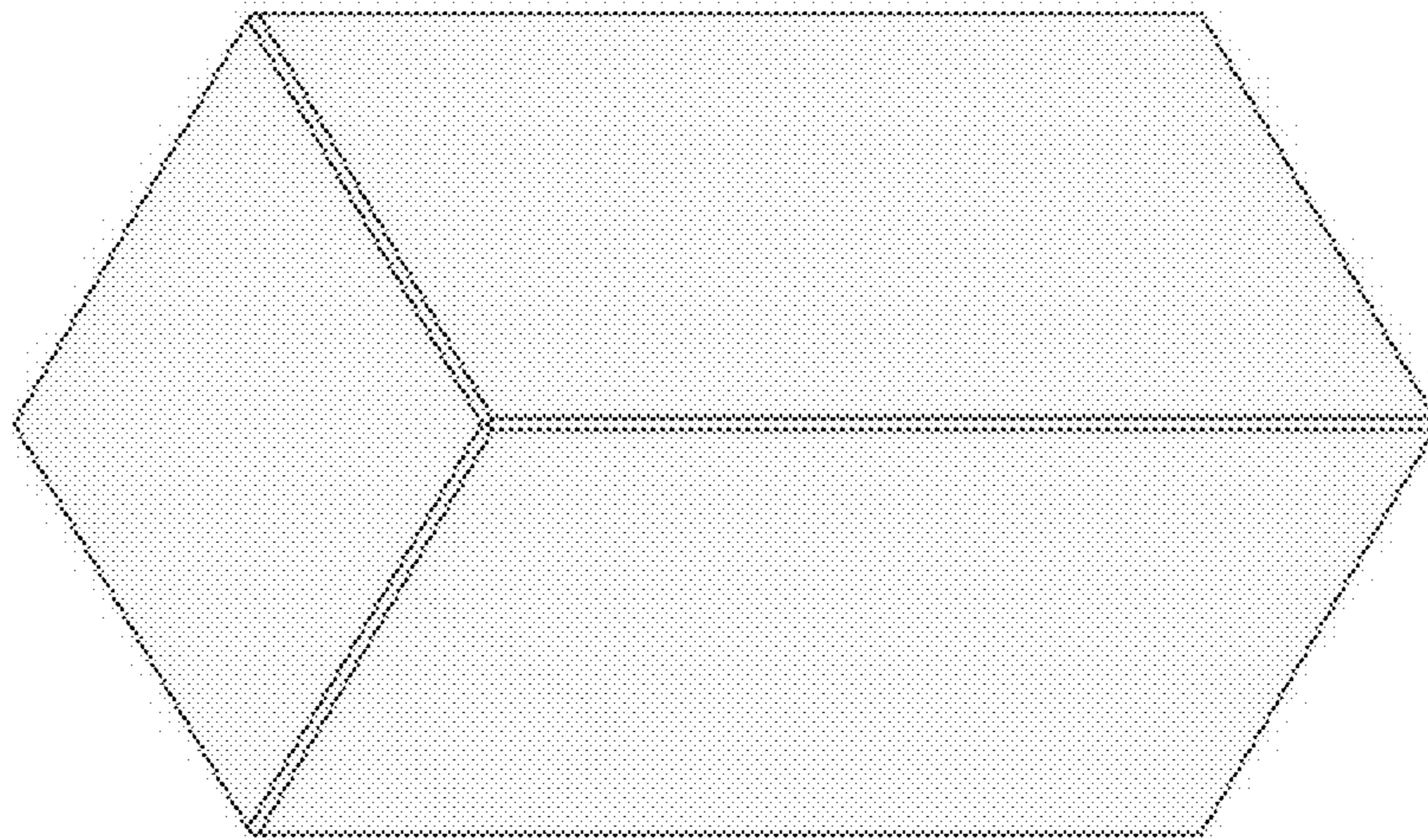
3.3 is a perspective view.

3.4 is a top view.

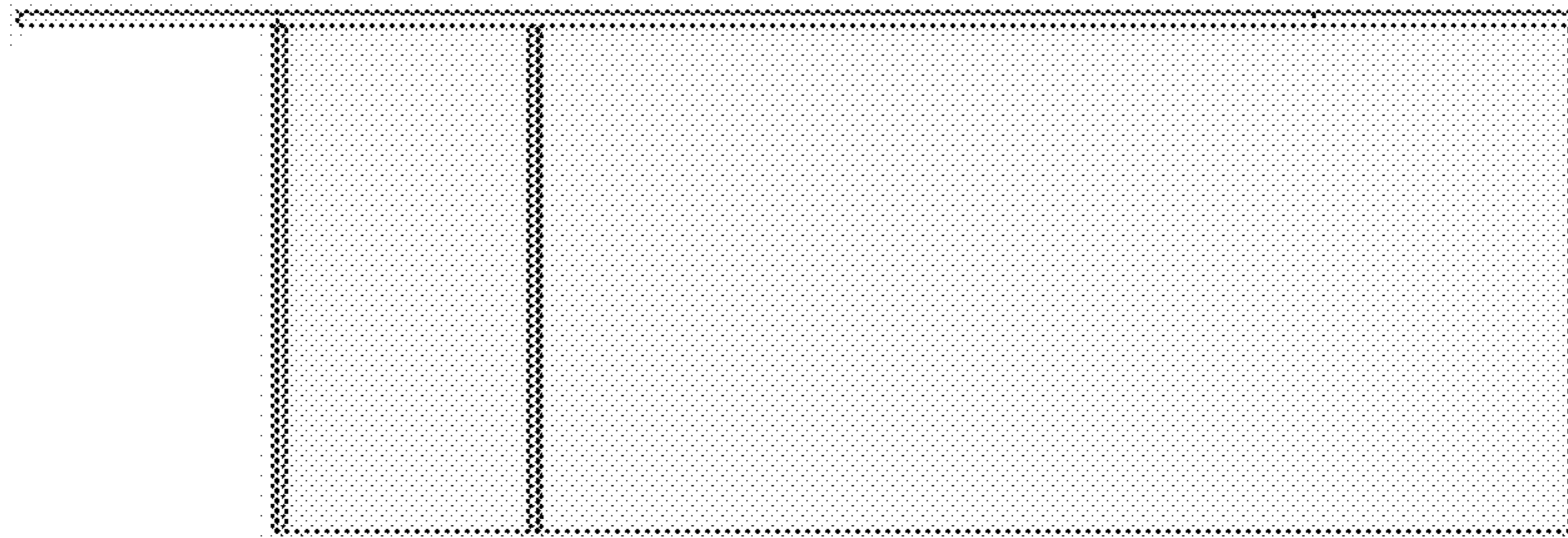
**1 Claim, 8 Drawing Sheets**



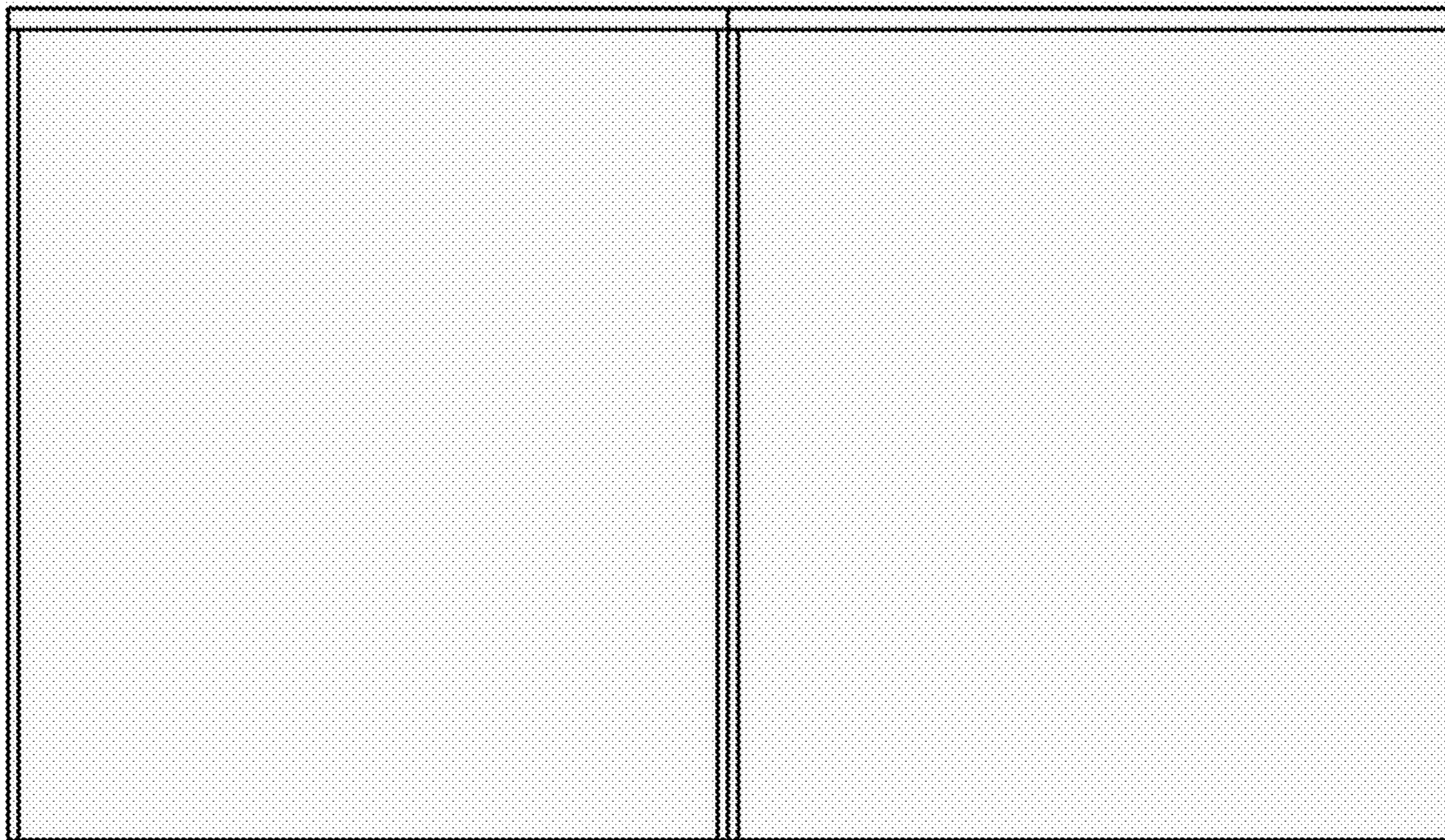
**1.1**



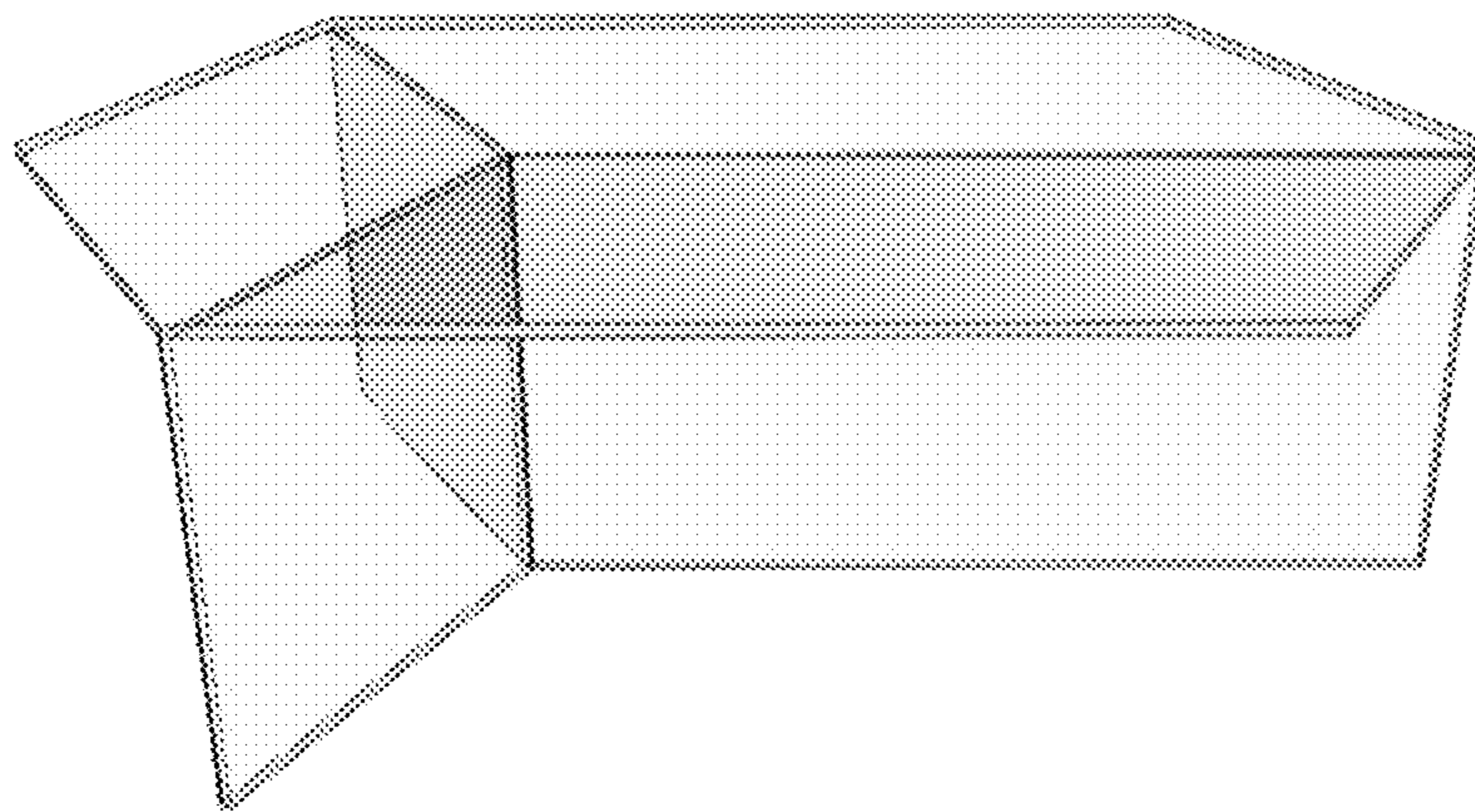
1.2



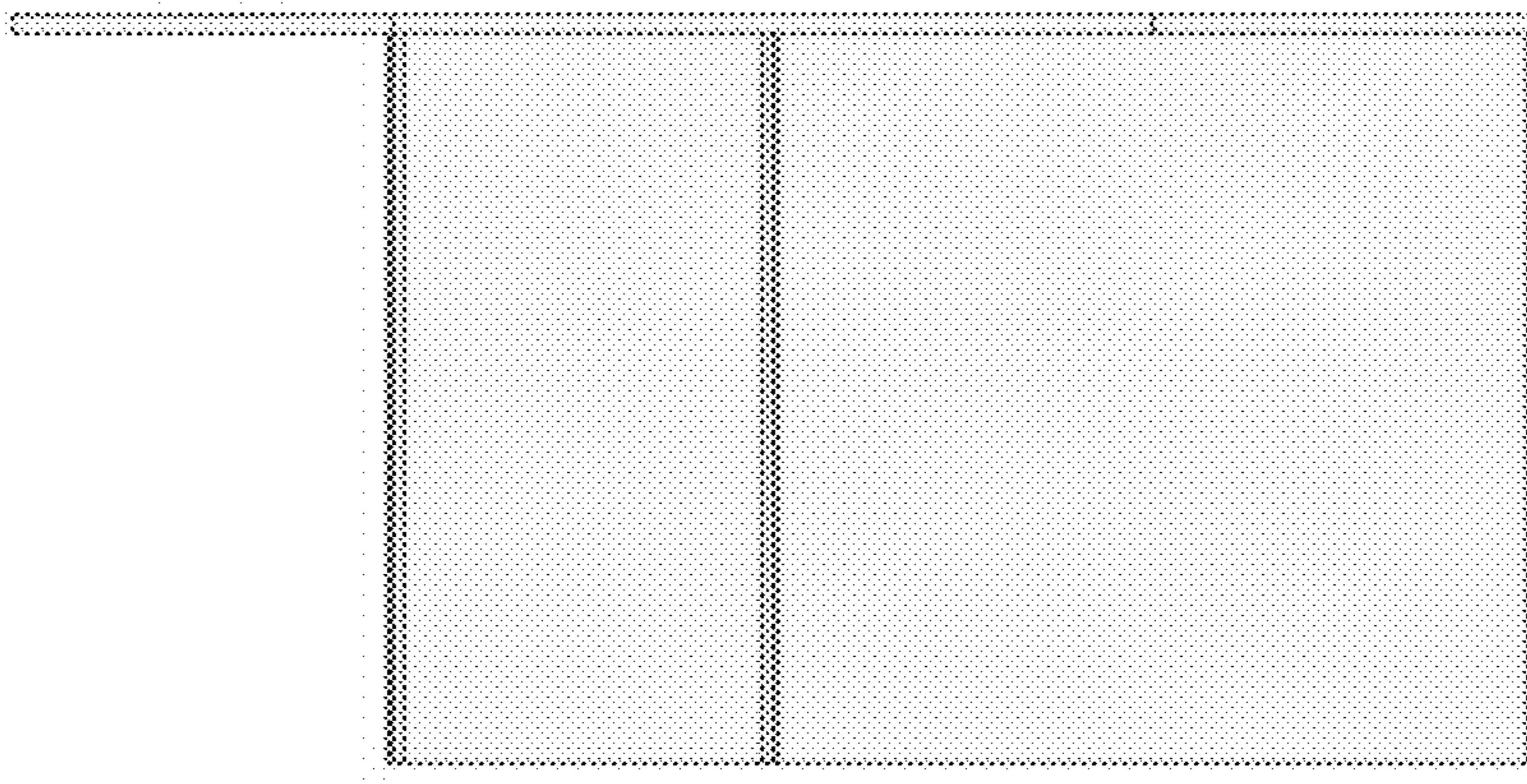
1.3



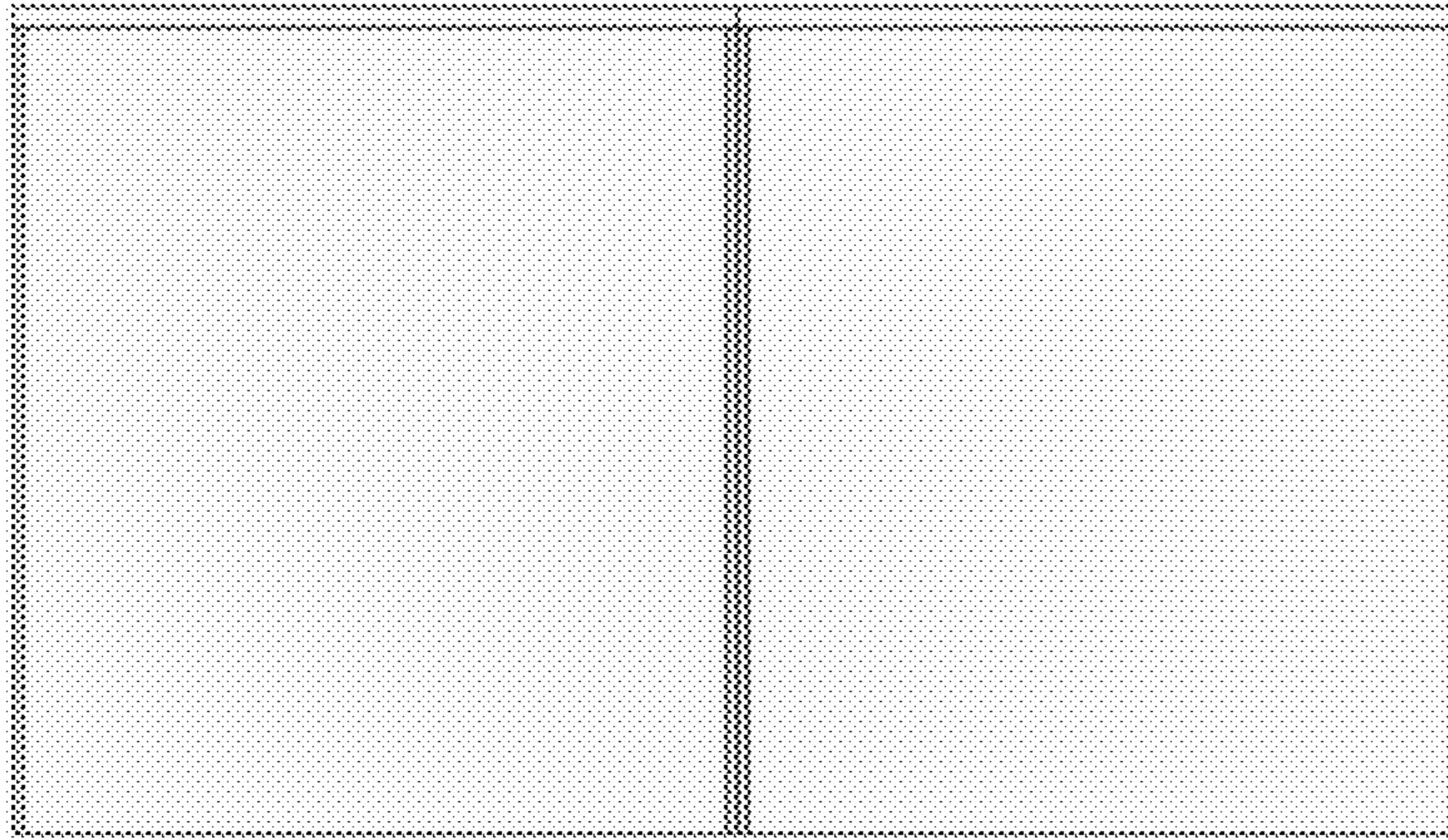
1.4



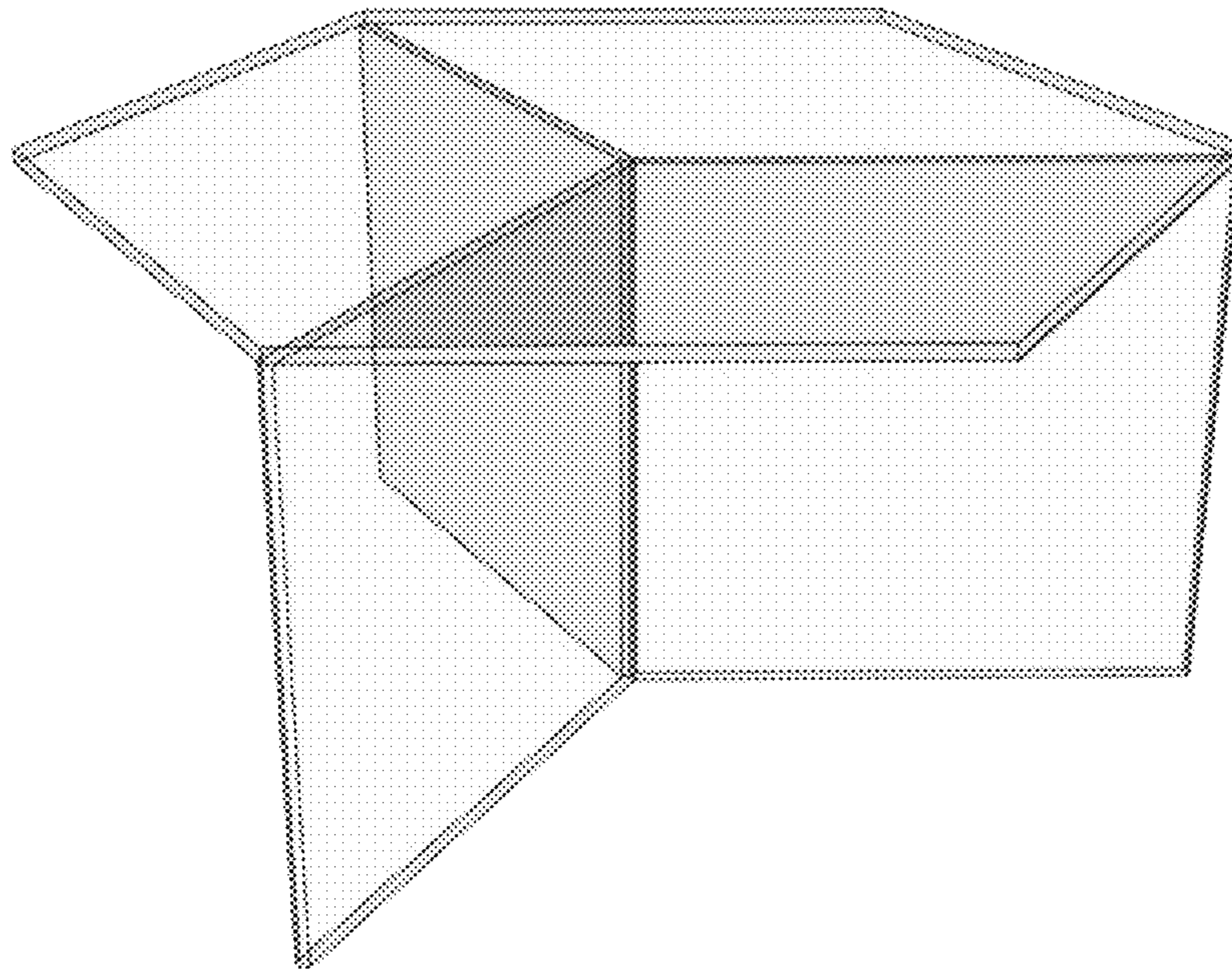
3.1



3.2



3.3





3.4

