



US00D817034S

(12) **United States Design Patent** (10) **Patent No.:** **US D817,034 S**  
**Pittman** (45) **Date of Patent:** **\*\* May 8, 2018**

(54) **DECORATIVE CHAIR BACK COVER**

(71) Applicant: **PaperBax, LLC**, Statesboro, GA (US)

(72) Inventor: **Charanne Rigsby Pittman**, Statesboro, GA (US)

(73) Assignee: **PaperBax, LLC**, Statesboro, GA (US)

(\*\*) Term: **15 Years**

(21) Appl. No.: **29/585,669**

(22) Filed: **Nov. 28, 2016**

**Related U.S. Application Data**

(63) Continuation-in-part of application No. 15/007,780, filed on Jan. 27, 2016.

(51) **LOC (11) Cl.** ..... **06-13**

(52) **U.S. Cl.**  
USPC ..... **D6/611**

(58) **Field of Classification Search**  
USPC ..... D6/610-611  
CPC ..... A47C 31/11; A47C 7/66  
See application file for complete search history.

(56) **References Cited**

**U.S. PATENT DOCUMENTS**

1,985,222	A	12/1934	Menhall	
D125,533	S *	2/1941	Gates	D6/611
2,313,878	A *	3/1943	Kline	A47C 31/11 297/226
3,479,085	A	11/1969	Weinstein	
D252,946	S *	9/1979	Johnson	D23/312
D271,266	S *	11/1983	Thom	D6/595
D274,019	S *	5/1984	Stead	D3/201
4,892,353	A	1/1990	Goddard	
5,064,247	A *	11/1991	Clark	A47C 3/04 297/232
5,121,938	A	6/1992	Gross	

D331,521	S *	12/1992	Kelldorf	D6/610
D403,195	S *	12/1998	Irwin-Tesmer	D6/610
D417,999	S *	12/1999	Ingram	D6/595
6,206,468	B1	3/2001	Brosnan et al.	
D447,902	S *	9/2001	Black	D6/610
6,354,661	B1 *	3/2002	Moss	A47C 31/11 297/224
6,899,391	B1	5/2005	Schneller	

(Continued)

**FOREIGN PATENT DOCUMENTS**

EP 0 457 992 11/1991

**OTHER PUBLICATIONS**

Chair Back Cover, posted at 4imprint.com, posting date not given, [online], [site visited Feb. 6, 2018]. Available from Internet, URL: [https://www.4imprint.com/product/9498/Chair-back-Cover.\\*](https://www.4imprint.com/product/9498/Chair-back-Cover.*)

(Continued)

*Primary Examiner* — George D. Kirschbaum

*Assistant Examiner* — Maria J Edwards

(74) *Attorney, Agent, or Firm* — Nixon & Vanderhye P.C.

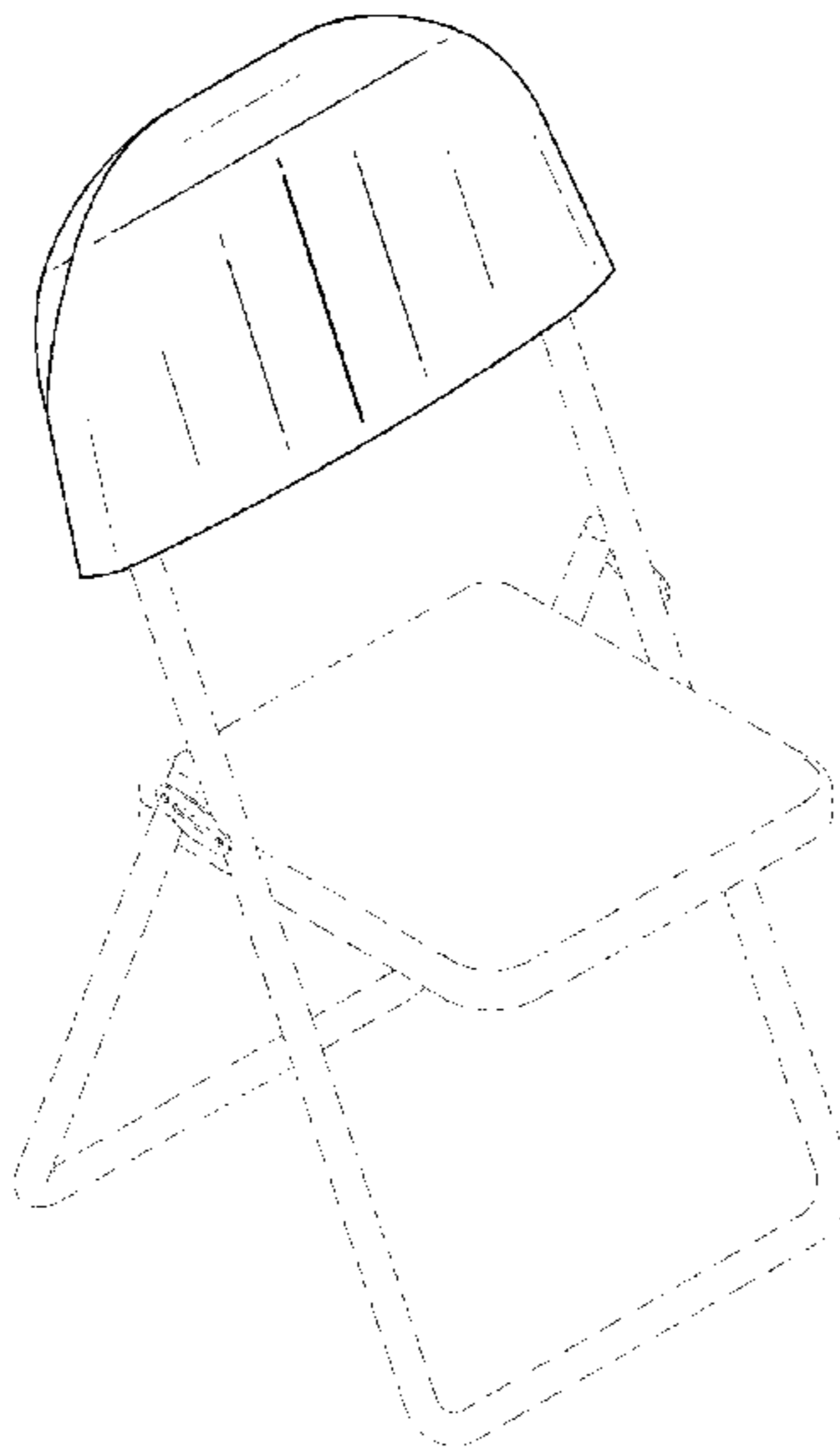
(57) **CLAIM**

The ornamental design for a decorative chair back cover, as shown and described.

**DESCRIPTION**

FIG. 1 is a perspective view of a decorative chair back cover; FIG. 2 is a front view thereof; FIG. 3 is a rear view thereof; FIG. 4 is a side view thereof, the opposite side being a mirror image; FIG. 5 is a top view thereof; and, FIG. 6 is a bottom view thereof. The broken lines illustrate environmental subject matter and form no part of the claimed design.

**1 Claim, 5 Drawing Sheets**



(56)

References Cited

U.S. PATENT DOCUMENTS

7,011,365	B2 *	3/2006	Kerfoot .....	A47C 31/11 297/219.1
D536,566	S *	2/2007	Burch .....	D6/611
7,350,324	B2 *	4/2008	Wu .....	G09F 7/00 297/219.1
7,387,335	B1	6/2008	Meek et al.	
7,469,962	B2 *	12/2008	Paulin .....	A47C 31/11 297/219.1
D586,168	S *	2/2009	Smith, Jr. ....	D6/611
D633,323	S *	3/2011	Green .....	D6/611
D647,353	S *	10/2011	Boenigk .....	D6/611
8,038,211	B2 *	10/2011	Berk .....	A47C 31/11 297/229
D663,153	S *	7/2012	Kenkelen .....	D6/611
2002/0074839	A1	6/2002	Mahan	
2003/0127889	A1	7/2003	Solomon	
2006/0103196	A1	5/2006	Zaharakos	
2009/0284056	A1	11/2009	Chico	

OTHER PUBLICATIONS

Paper Folding Chair Covers, posted at novoch.me, posting date not given, [online], [site visited Feb. 6, 2018]. Available from Internet, URL: <http://novoch.me/see-the-paper-folding-chair-covers/see-the-paper-folding-chair-covers-frozen-party-theme-folding-chair-covers-folding-chair-rental-seattle/>.\*

Paper Folding Chair Covers Best Ideas, posted at almisnews.info, posting date not given, [online], [site visited Feb. 6, 2018]. Available from Internet, URL: <http://almisnews.info/paper-folding-chair-covers/paper-folding-chair-covers-best-ideas-on-interesting-idea-for-cover/>.\*

U.S. Office Action dated May 3, 2017 issued in U.S. Appl. No. 15/007,780, 11 pp.

U.S. Office Action dated Oct. 24, 2017 issued in U.S. Appl. No. 15/007,780, 10 pp.

U.S. Office Action dated Feb. 23, 2018 issued in U.S. Appl. No. 15/007,780, 10 pp.

\* cited by examiner

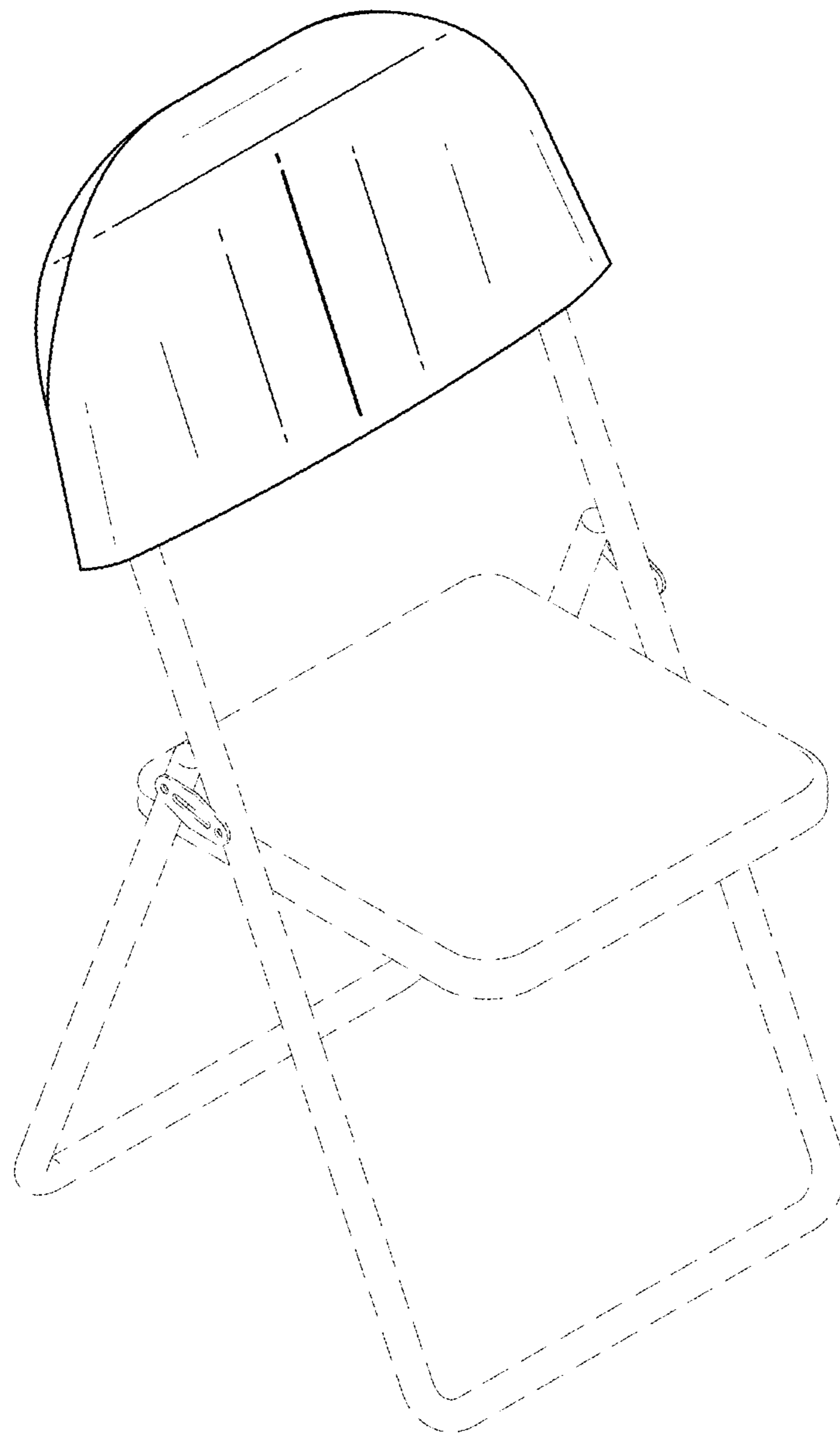


Fig. 1

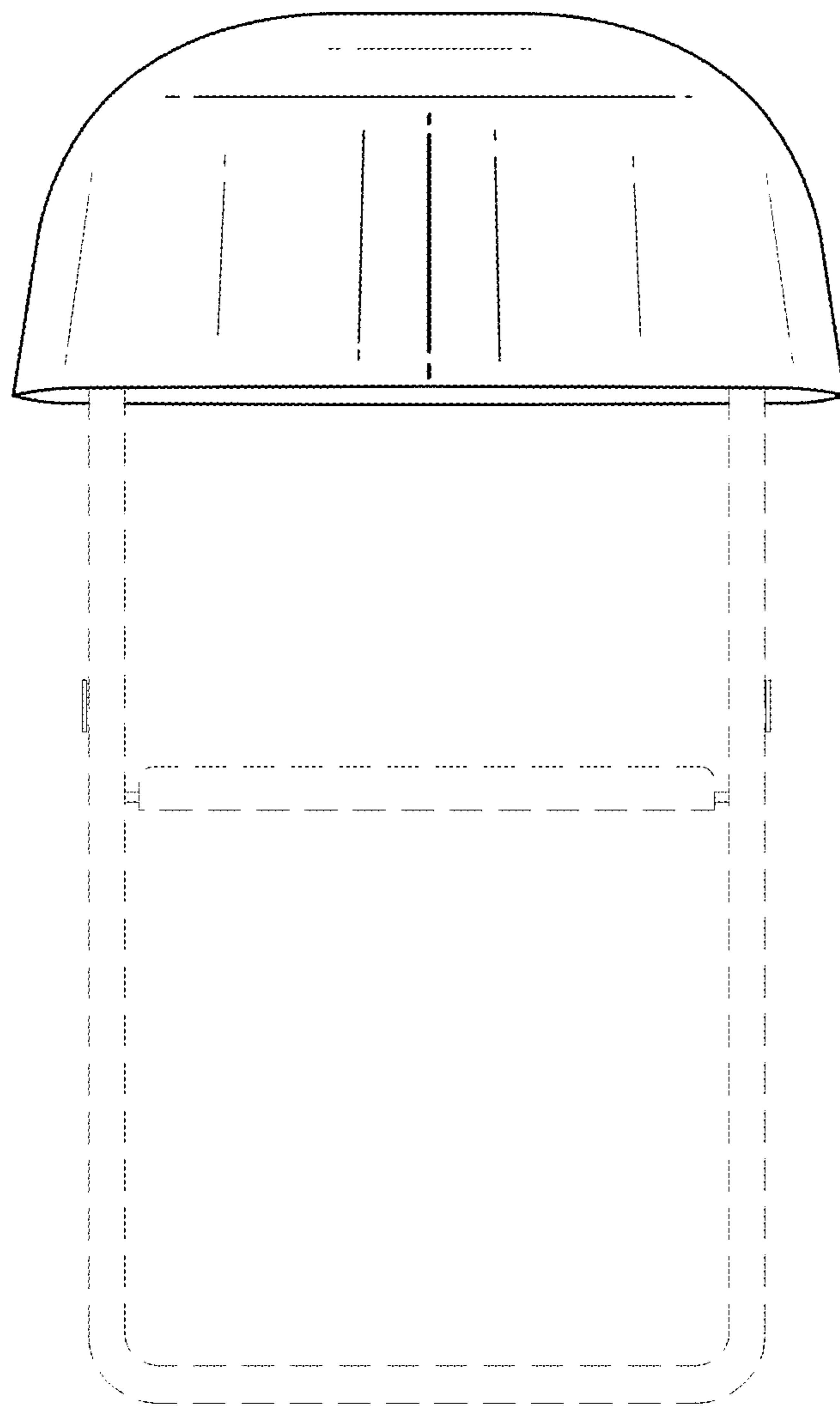


Fig. 2

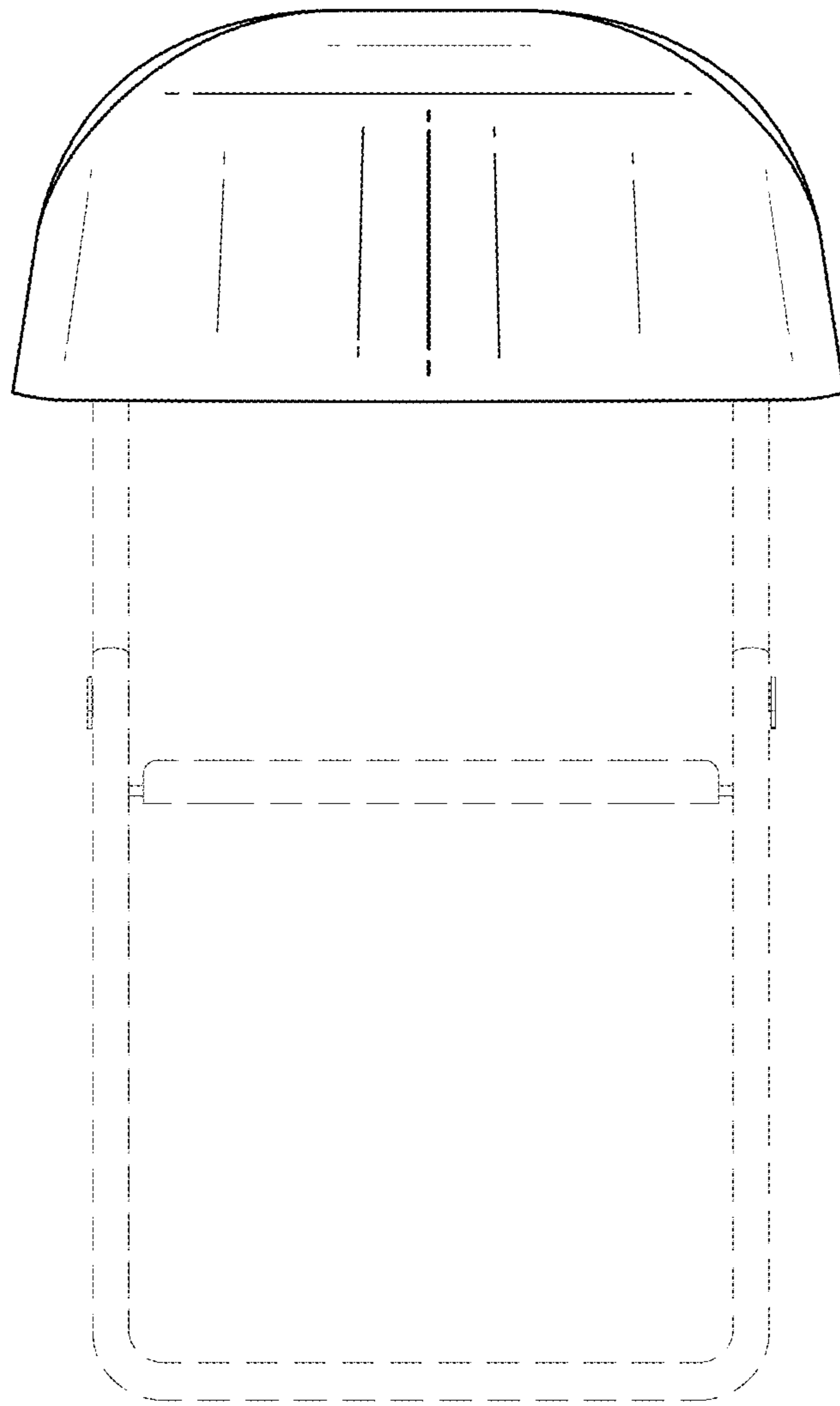


Fig. 3

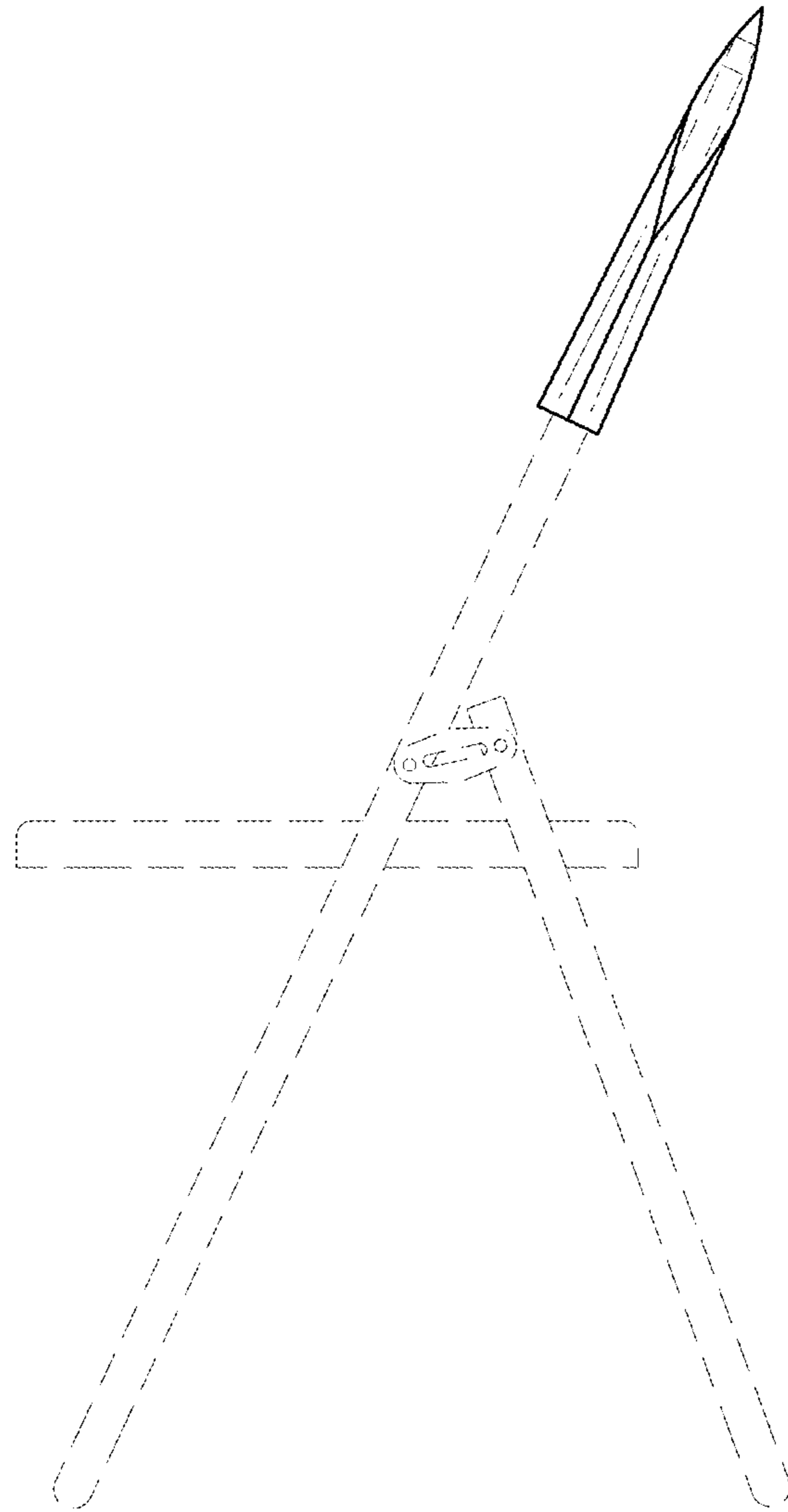


Fig. 4

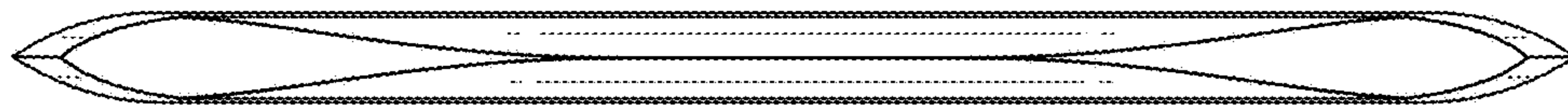


Fig. 5



Fig. 6