



US00D817032S

(12) **United States Design Patent** (10) **Patent No.:** **US D817,032 S**
Yang (45) **Date of Patent:** **** May 8, 2018**

(54) **PILLOW**

A47G 9/08; A47G 2009/0276; A47G 9/0284; A47G 9/0292; A47G 9/04

(71) Applicant: **Jingang Yang**, Sichuan (CN)

See application file for complete search history.

(72) Inventor: **Jingang Yang**, Sichuan (CN)

(56) **References Cited**

(**) Term: **15 Years**

U.S. PATENT DOCUMENTS

(21) Appl. No.: **29/590,176**

(22) Filed: **Jan. 8, 2017**

(30) **Foreign Application Priority Data**

Dec. 7, 2016 (CN) 2016 3 0598655

(51) **LOC (11) Cl.** **06-09**

(52) **U.S. Cl.**
USPC **D6/601**

(58) **Field of Classification Search**
USPC D6/333, 349, 355, 375, 388, 512, 563, D6/564, 611, 707, 715, 716, 716.1, D6/582-583, 587-592, 595-609, D6/617-622; D24/183-185, 234, 178, D24/180, 181, 189; D21/803, 804, 805, D21/809, 599; 5/401, 420, 600, 630, 5/631, 632, 633, 635, 636, 638, 639, 646, 5/652, 652.1, 655, 703, 730; 297/1, 2, 4, 297/93, 180.11, 195.1, 195.11, 195.13, 297/393, 397, 452.12, 452.14, 452.15, 297/452.21, 452.24, 452.26, 452.48, 297/452.62, 482; D2/719, 725, 734, 741
CPC A47G 9/10; A47G 9/1009; A47G 9/1027; A47G 9/1045; A47G 9/1063; A47G 9/1072; A47G 9/1081; A47G 9/00; A47G 2009/001; A47G 2009/002; A47G 2009/003; A47G 2009/005; A47G 2009/006; A47G 9/02; A47G 9/0207; A47G 9/0215; A47G 9/0223; A47G 9/023; A47G 9/0238; A47G 9/0246; A47G 9/0253; A47G 9/0261; A47G 9/06; A47G 9/062; A47G 9/066; A47G 9/068;

D293,395 S * 12/1987 Hoffmann D6/334
D348,156 S * 6/1994 Colyer D6/333
D413,980 S * 9/1999 Sioufi D24/183
D474,364 S * 5/2003 Arcieri D6/601
D552,205 S * 10/2007 Peterson D21/803
D553,865 S * 10/2007 Buitendach D6/333
D554,221 S * 10/2007 Peterson D21/803
D576,808 S * 9/2008 Ton D6/349
D642,278 S * 7/2011 Sharps D24/184
D646,066 S * 10/2011 Debevec D6/333
D648,586 S * 11/2011 Yu D6/601
D649,252 S * 11/2011 Spainhower D24/181
D656,749 S * 4/2012 Bergkvist D6/333
D686,684 S * 7/2013 Wolfenbarger D21/803
8,590,536 B2 * 11/2013 Tullous A61F 5/01
128/845
D695,030 S * 12/2013 Buitendag D6/333

(Continued)

Primary Examiner — Eric L Goodman

Assistant Examiner — Sanjeev Paul

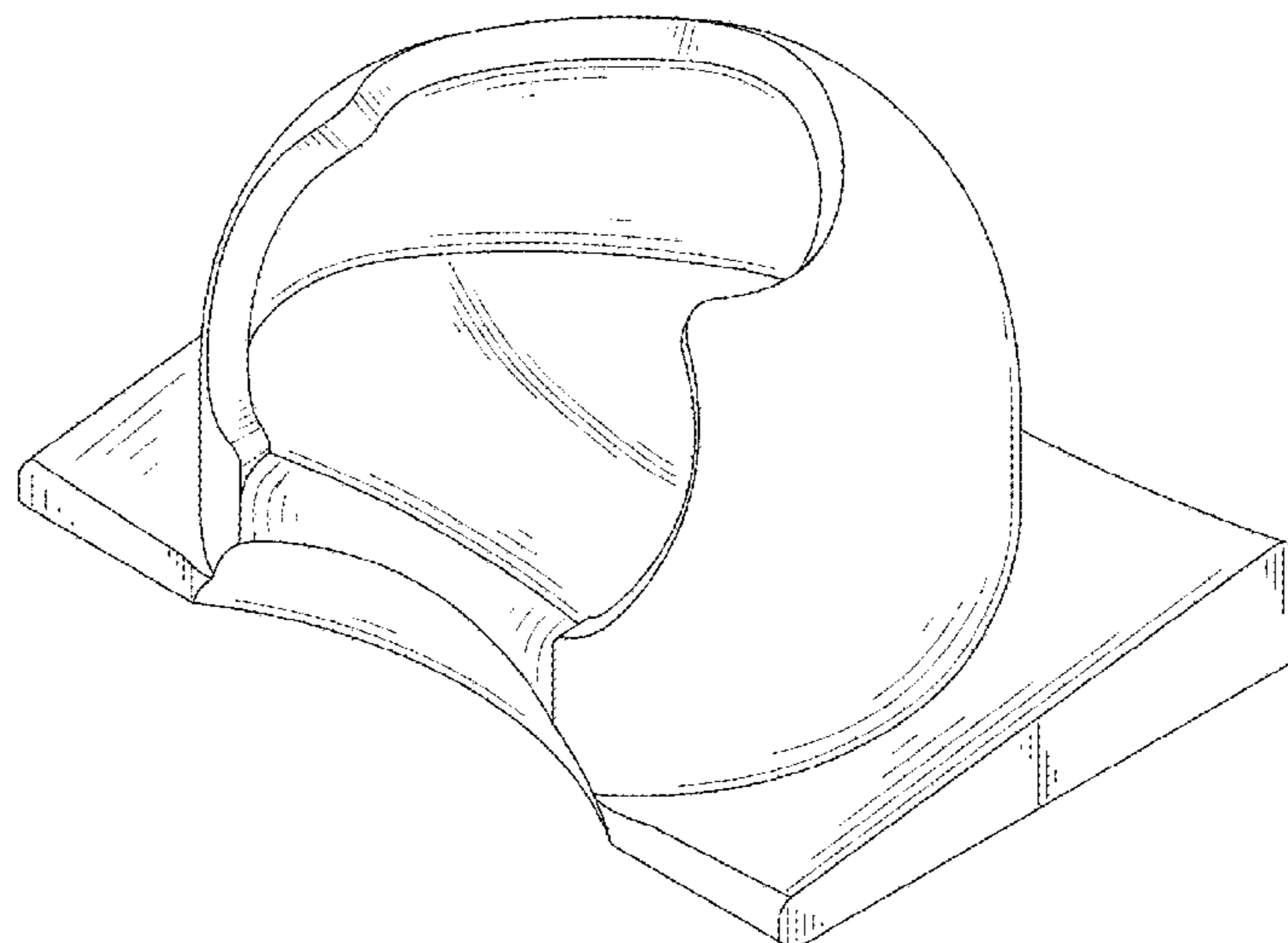
(57) **CLAIM**

The ornamental design for a pillow, as shown.

DESCRIPTION

FIG. 1 is a front elevational view of a pillow showing my new design;
FIG. 2 is a rear elevational view thereof;
FIG. 3 is a left side view thereof;
FIG. 4 is a right side view thereof;
FIG. 5 is a top plan view thereof;
FIG. 6 is a bottom plan view thereof; and,
FIG. 7 is a perspective view thereof.

1 Claim, 4 Drawing Sheets



(56)

References Cited

U.S. PATENT DOCUMENTS

D700,786 S *	3/2014	Yeung	D6/333
D722,449 S *	2/2015	Krishtul	D6/601
D749,874 S *	2/2016	Ueno	D6/601
D750,397 S *	3/2016	Werner	D6/601
D802,335 S *	11/2017	Yang	D6/601
2009/0139031 A1 *	6/2009	Davis	A47G 9/10 5/639
2015/0250329 A1 *	9/2015	Murray	A47D 9/02 5/101

* cited by examiner

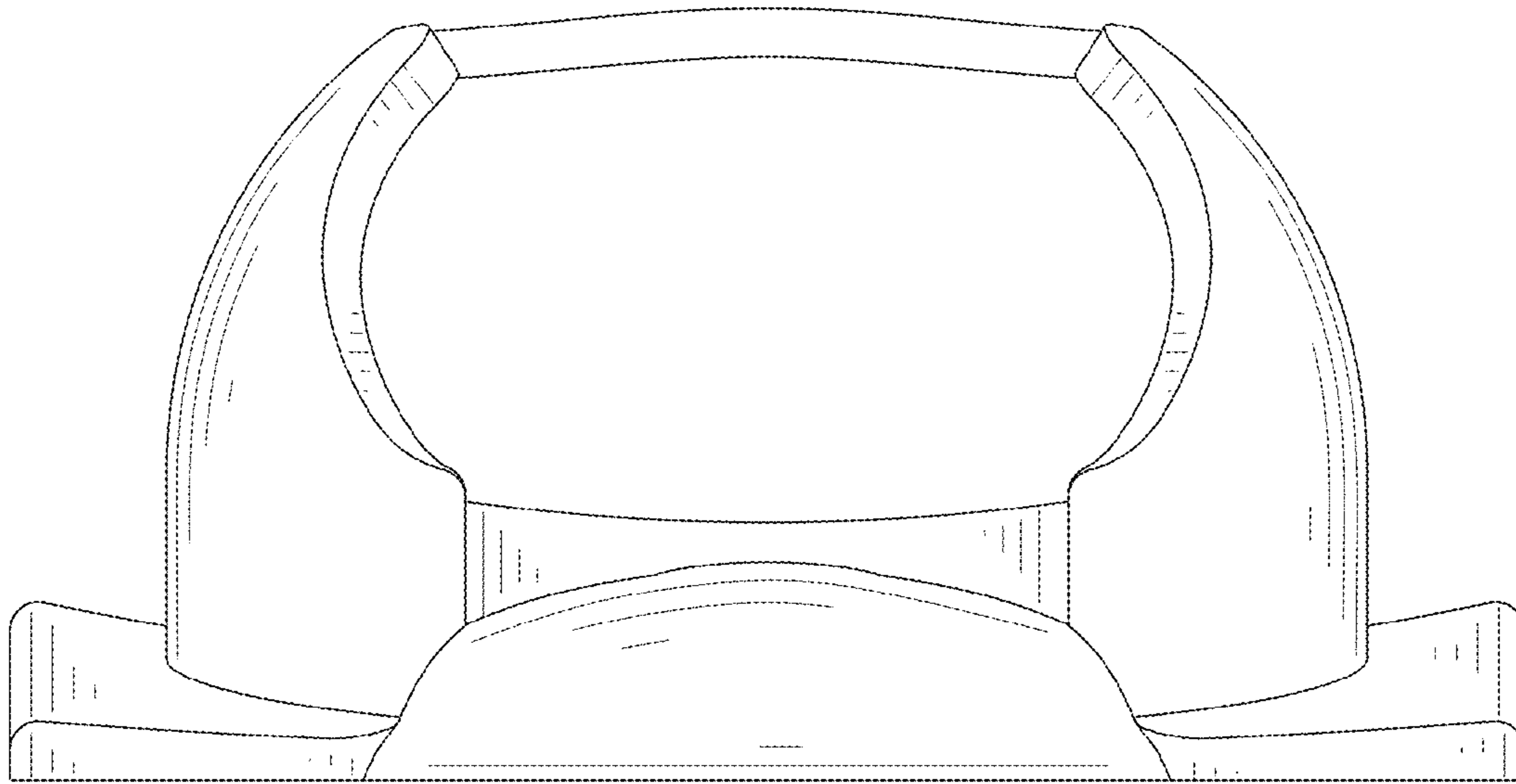


FIG. 1

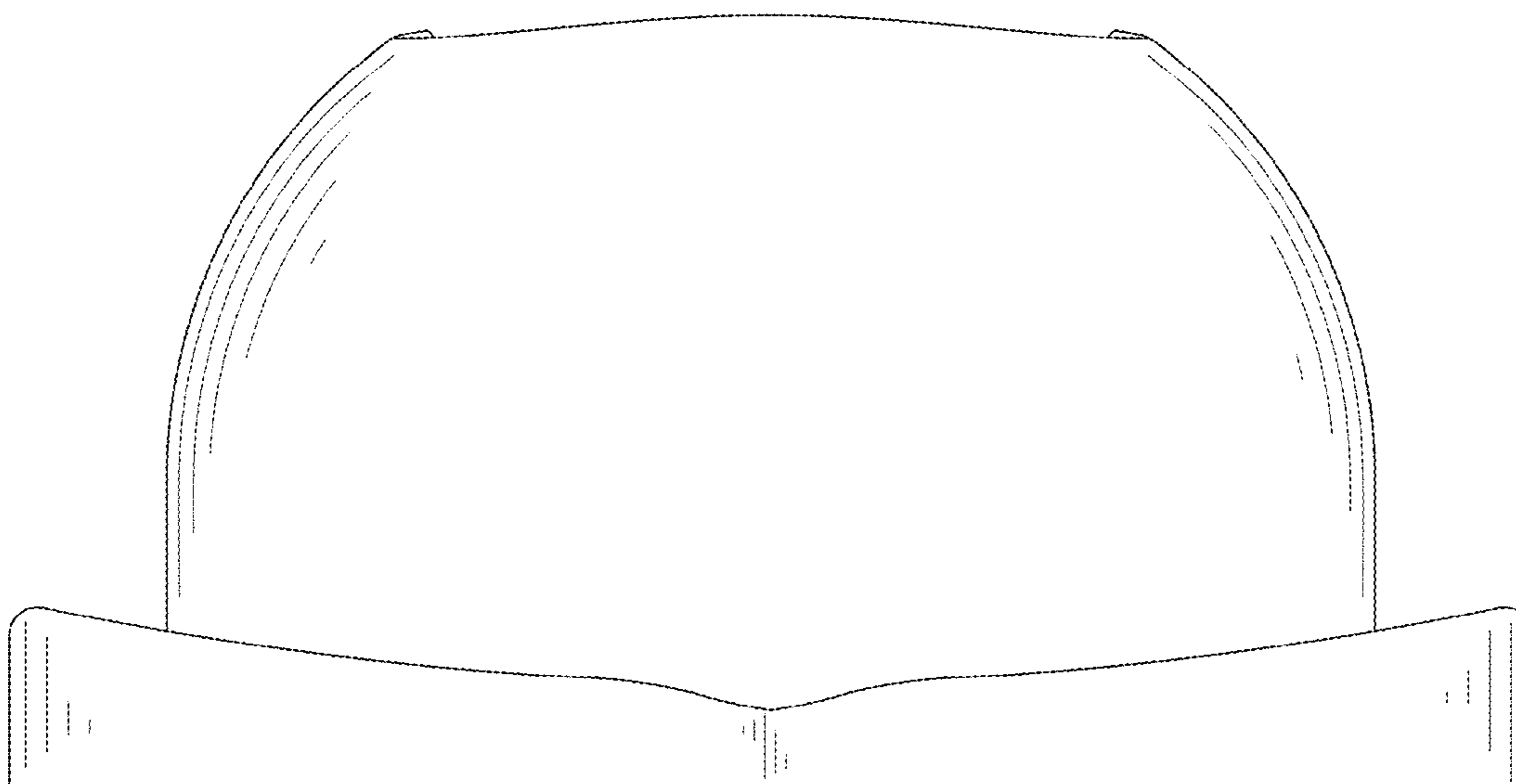


FIG. 2

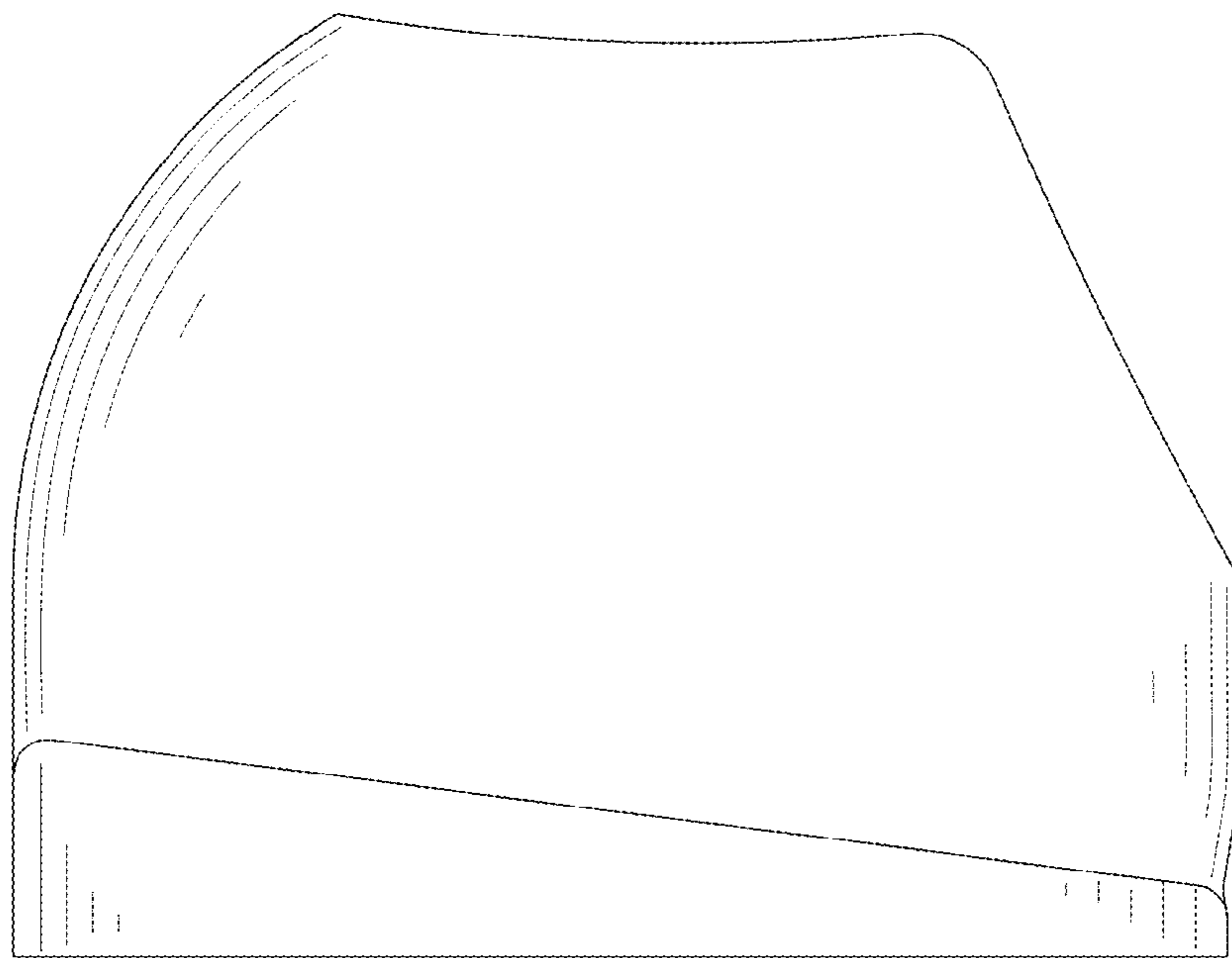


FIG. 3

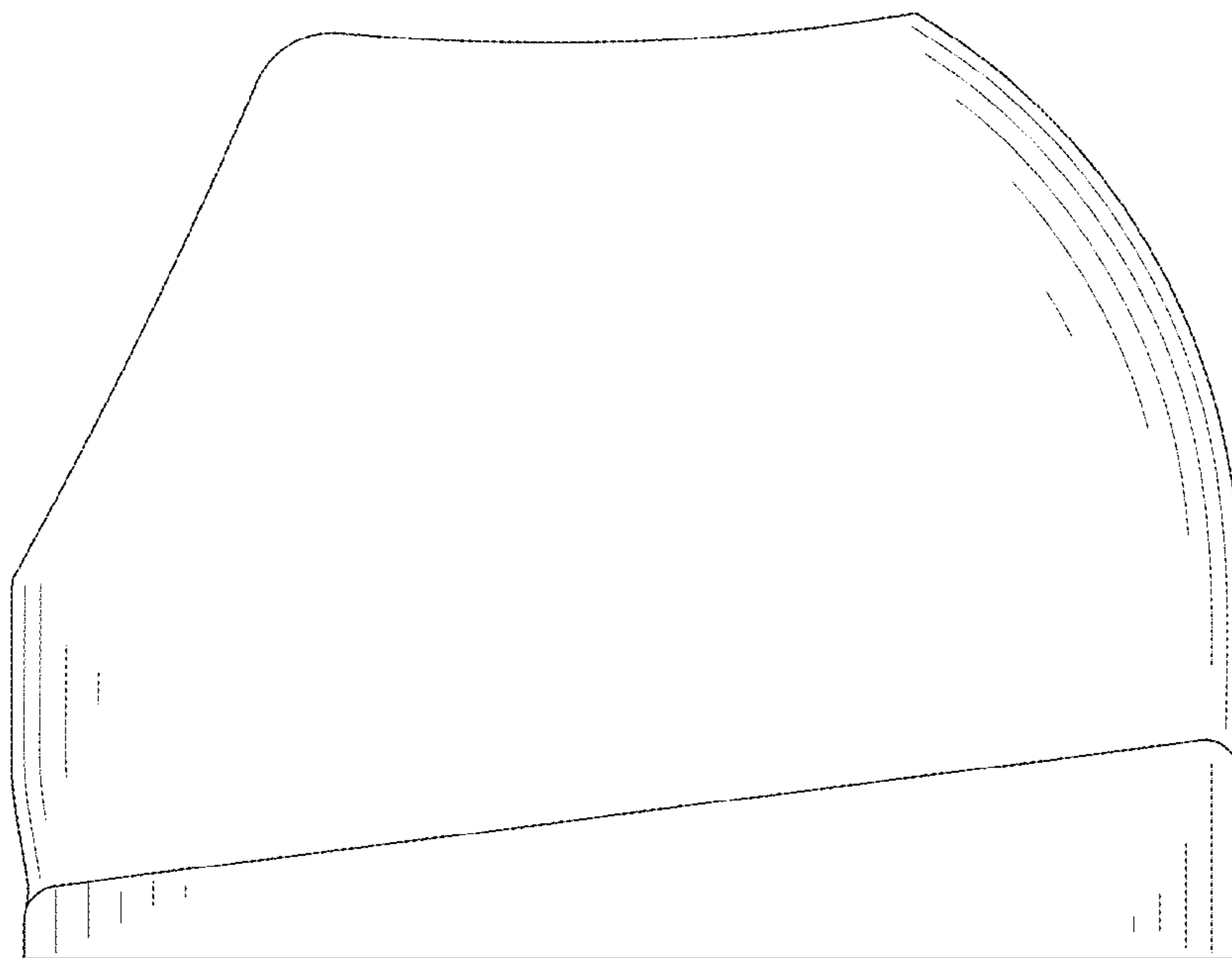


FIG. 4

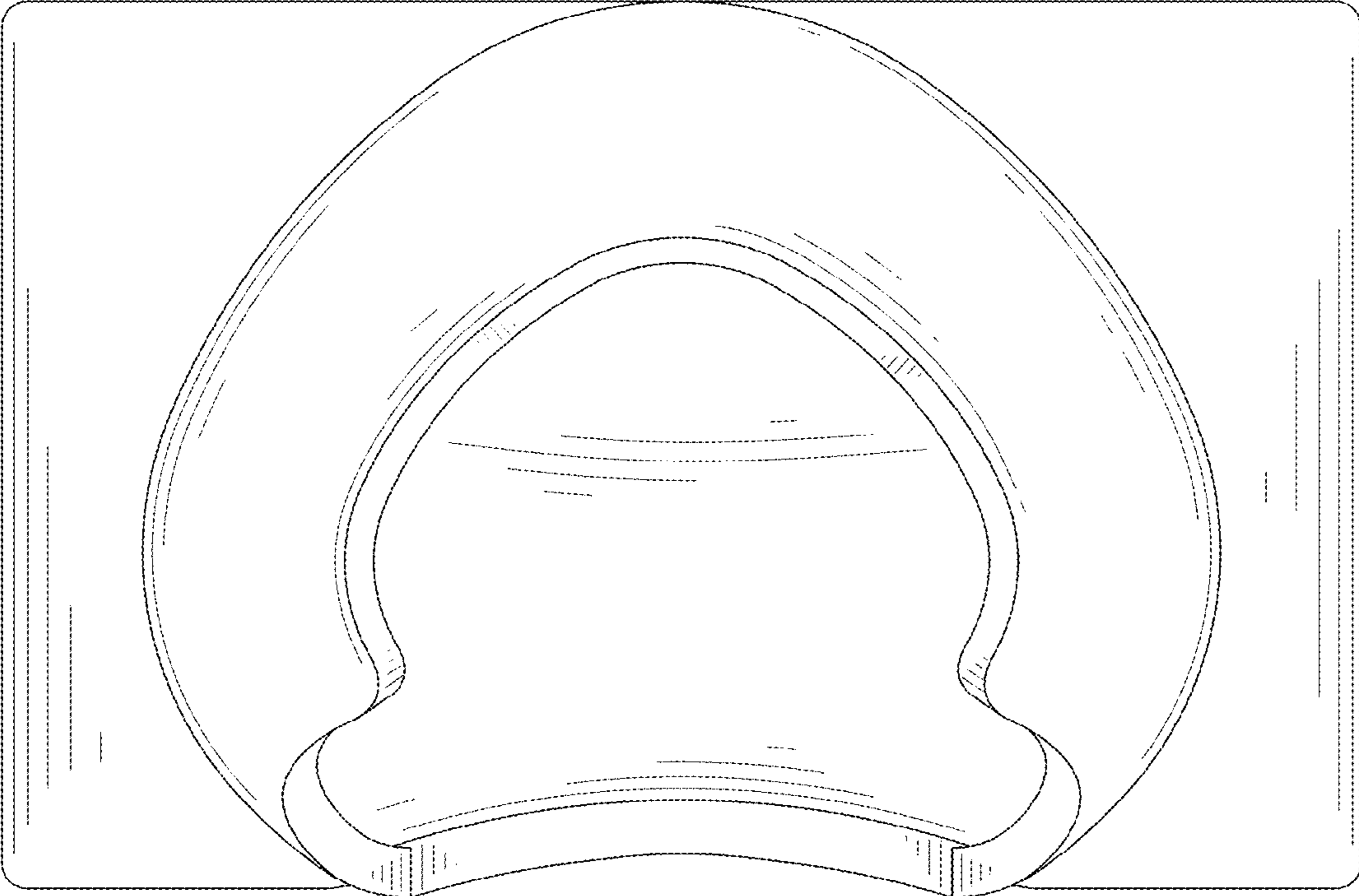


FIG. 5

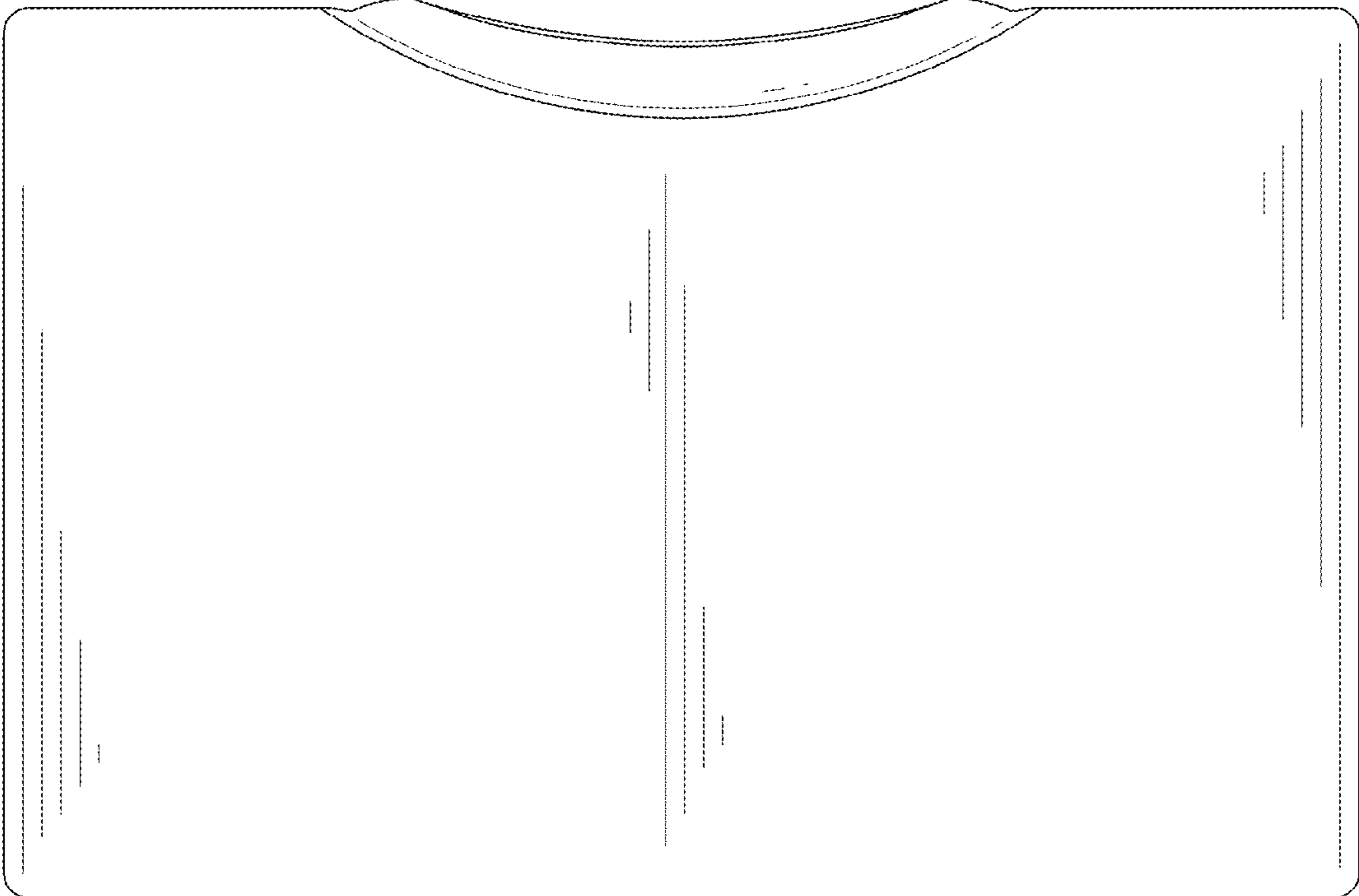


FIG. 6

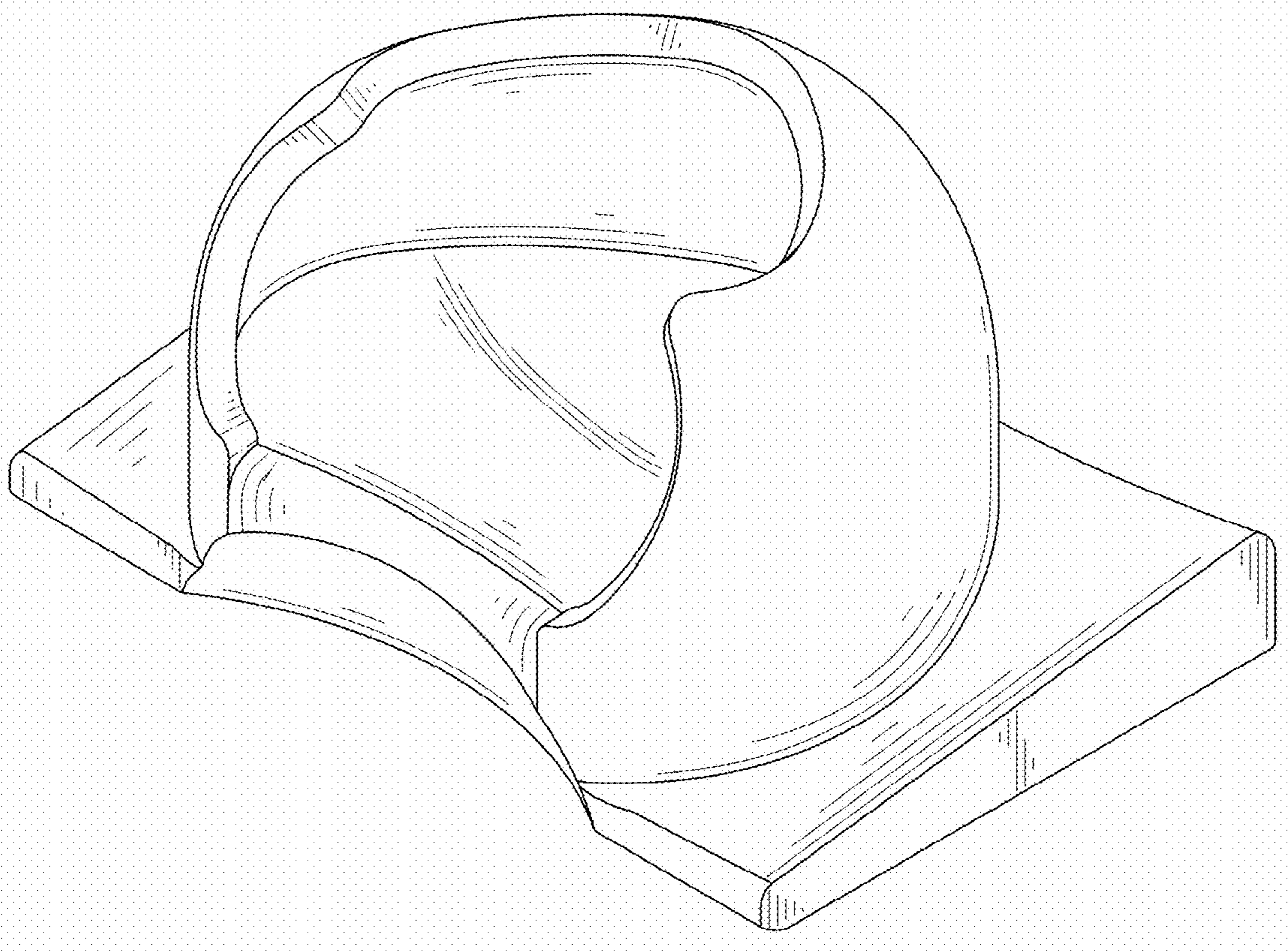


FIG. 7