



US00D817028S

(12) **United States Design Patent** (10) **Patent No.:** **US D817,028 S**  
**Bolos** (45) **Date of Patent:** **\*\* May 8, 2018**

(54) **SHELF SYSTEM**

(71) Applicant: **Michael F. Bolos**, Chicago, IL (US)

(72) Inventor: **Michael F. Bolos**, Chicago, IL (US)

(73) Assignee: **Dear Future Me LLC**, Chicago, IL (US)

(\*\*) Term: **15 Years**

(21) Appl. No.: **29/558,364**

(22) Filed: **Mar. 17, 2016**

(51) **LOC (11) Cl.** ..... **06-04**

(52) **U.S. Cl.**  
USPC ..... **D6/574**

(58) **Field of Classification Search**  
USPC ..... D6/574, 320-324; D7/698; D26/72; D8/381  
CPC ..... A47B 43/00; A47B 43/04; A47B 47/0066; A47B 47/04; A47B 63/00; A47B 69/00; A47B 71/00; A47B 96/022; A47B 57/42; A47B 96/02; A47B 57/46; A47B 96/06; B65D 51/00; A47F 7/0035  
See application file for complete search history.

(56) **References Cited**

**U.S. PATENT DOCUMENTS**

5,096,272	A	3/1992	Belokin et al.	
D458,072	S *	6/2002	Hoernig	D6/574
D493,316	S *	7/2004	Hoernig	D6/524
D508,646	S *	8/2005	Gates	D8/381
D509,088	S *	9/2005	Hoernig	D6/574
D520,288	S *	5/2006	Grosfillex	D6/574
D570,146	S	6/2008	Bickler	
D577,239	S	9/2008	Krumpe	
7,578,487	B2	8/2009	Kaneda et al.	
8,393,113	B2	3/2013	Rex	

2009/0045155 A1 2/2009 Howard  
2015/0108134 A1 4/2015 Fangyuan  
2017/0202281 A1 7/2017 Passaretti et al.

\* cited by examiner

*Primary Examiner* — Wan Laymon

*Assistant Examiner* — Mark Booker

(74) *Attorney, Agent, or Firm* — Barich IP Law Group

(57) **CLAIM**

The ornamental design for a shelf system, as shown and described.

**DESCRIPTION**

FIG. 1 is a perspective view of a first embodiment of the shelf system having a lever-enabled suction structure. The broken line showing in the figures is included for the purpose of illustrating portions of the shelf system and form no part of the claimed design. The broken line showing immediately adjacent the shaded areas represents boundaries to the claimed design and forms no part of the claimed design.

FIG. 2 is a front view of the first embodiment of the shelf system having a lever-enabled suction structure of FIG. 1.

FIG. 3 is a rear view of the first embodiment of the shelf system having a lever-enabled suction structure of FIG. 1.

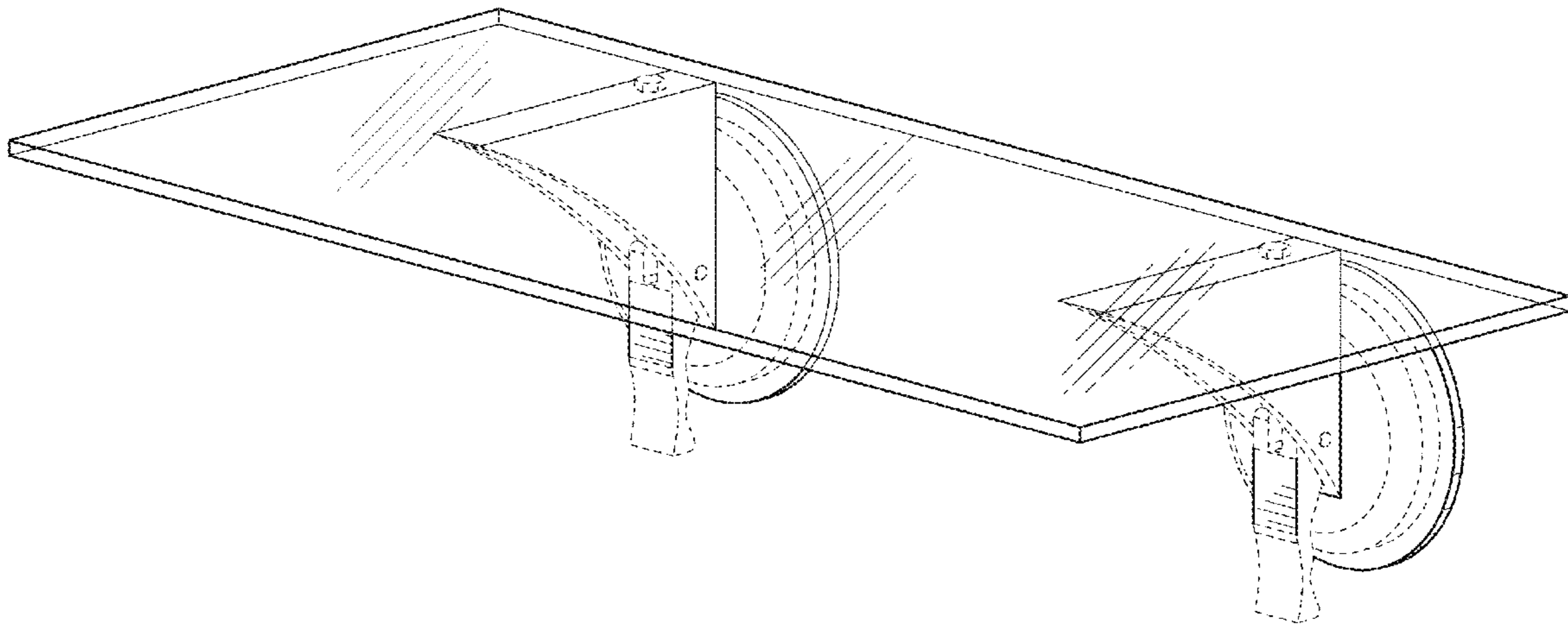
FIG. 4 is a top view of the first embodiment of the shelf system having a lever-enabled suction structure of FIG. 1.

FIG. 5 is a bottom view of the first embodiment of the shelf system having a lever-enabled suction structure of FIG. 1.

FIG. 6 is a left side view of the first embodiment of the shelf system having a lever-enabled suction structure of FIG. 1; and,

FIG. 7 is a right side view of the first embodiment of the shelf system having a lever-enabled suction structure of FIG. 1.

**1 Claim, 5 Drawing Sheets**



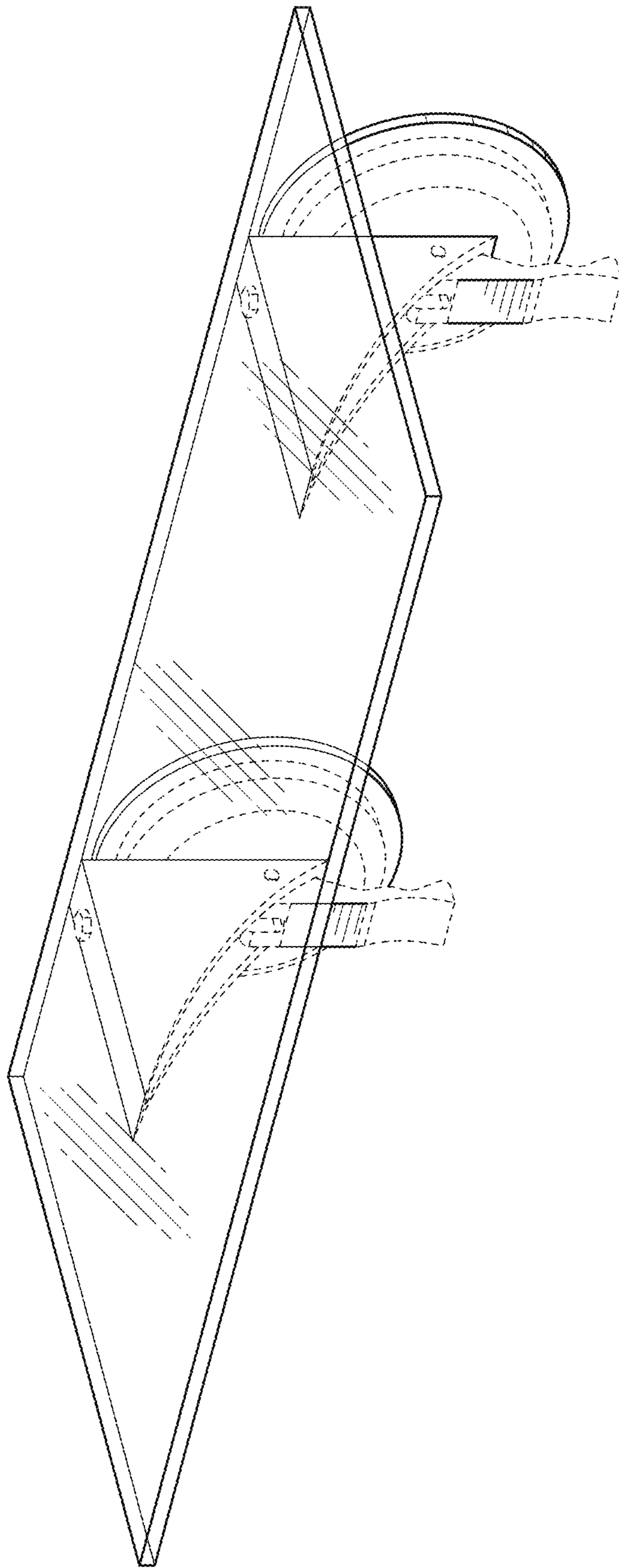


FIG. 1

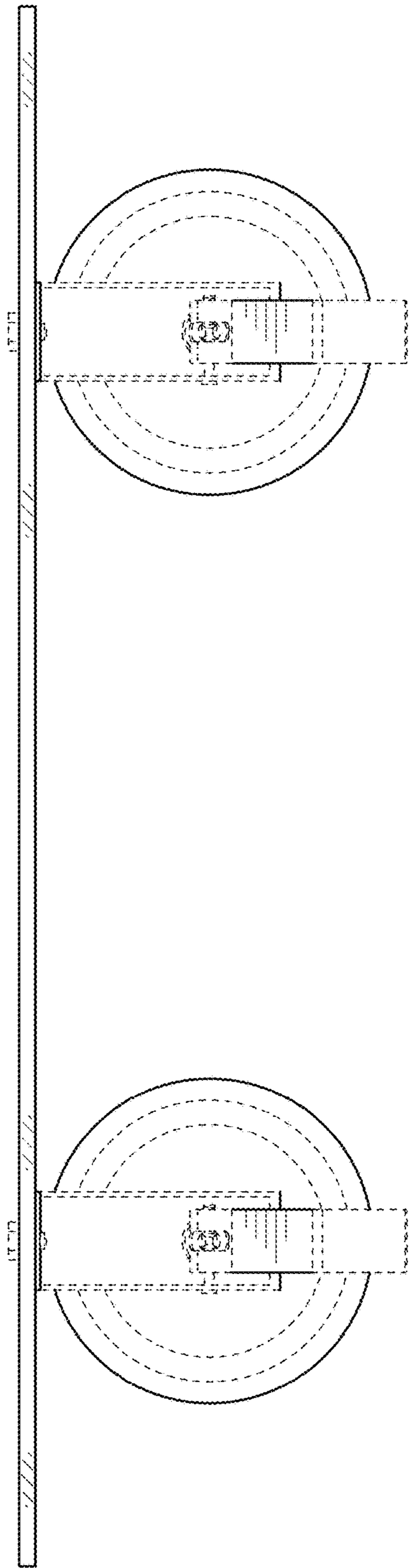


FIG. 2

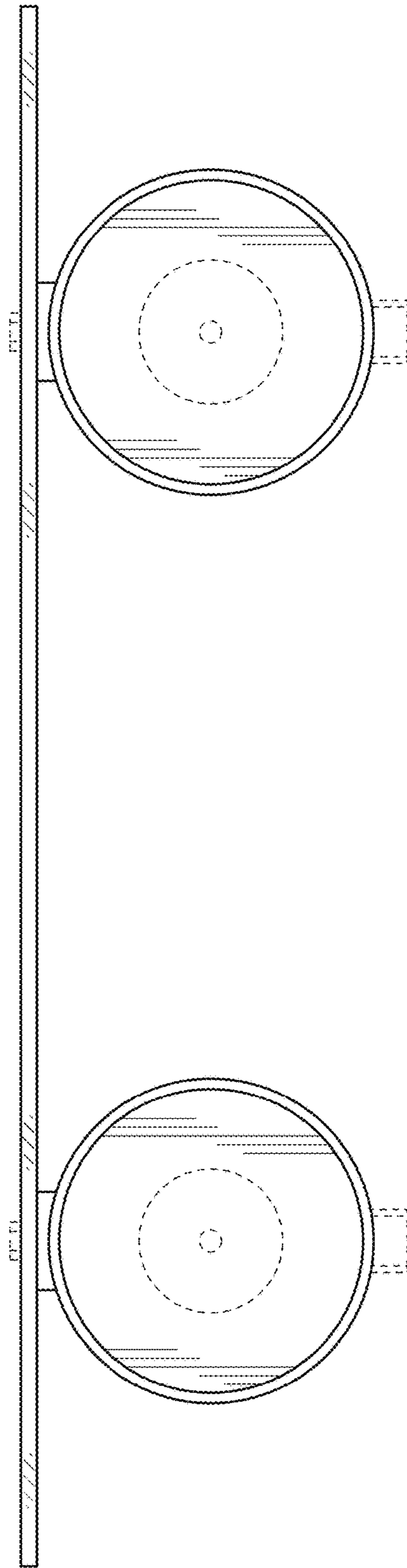


FIG. 3

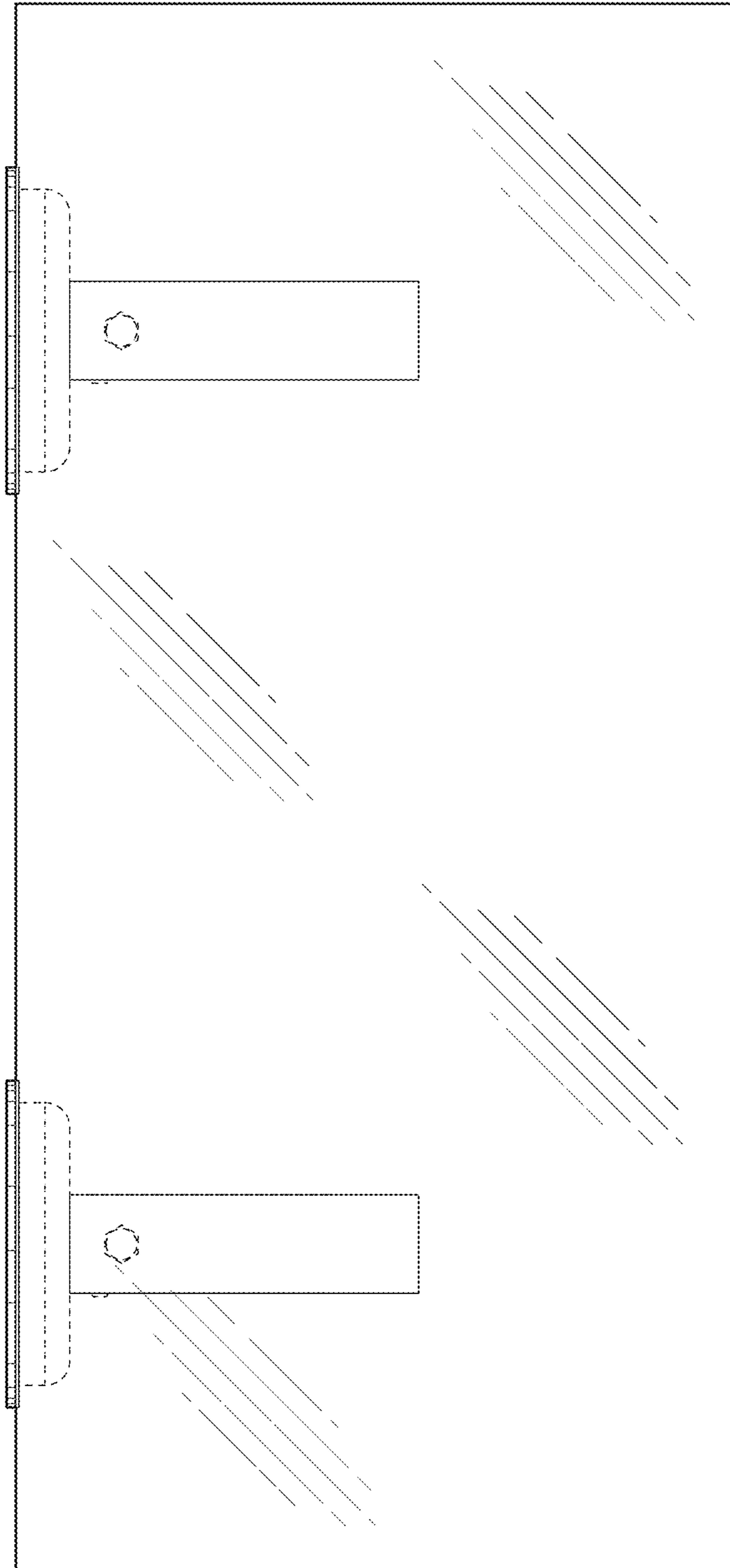


FIG. 4

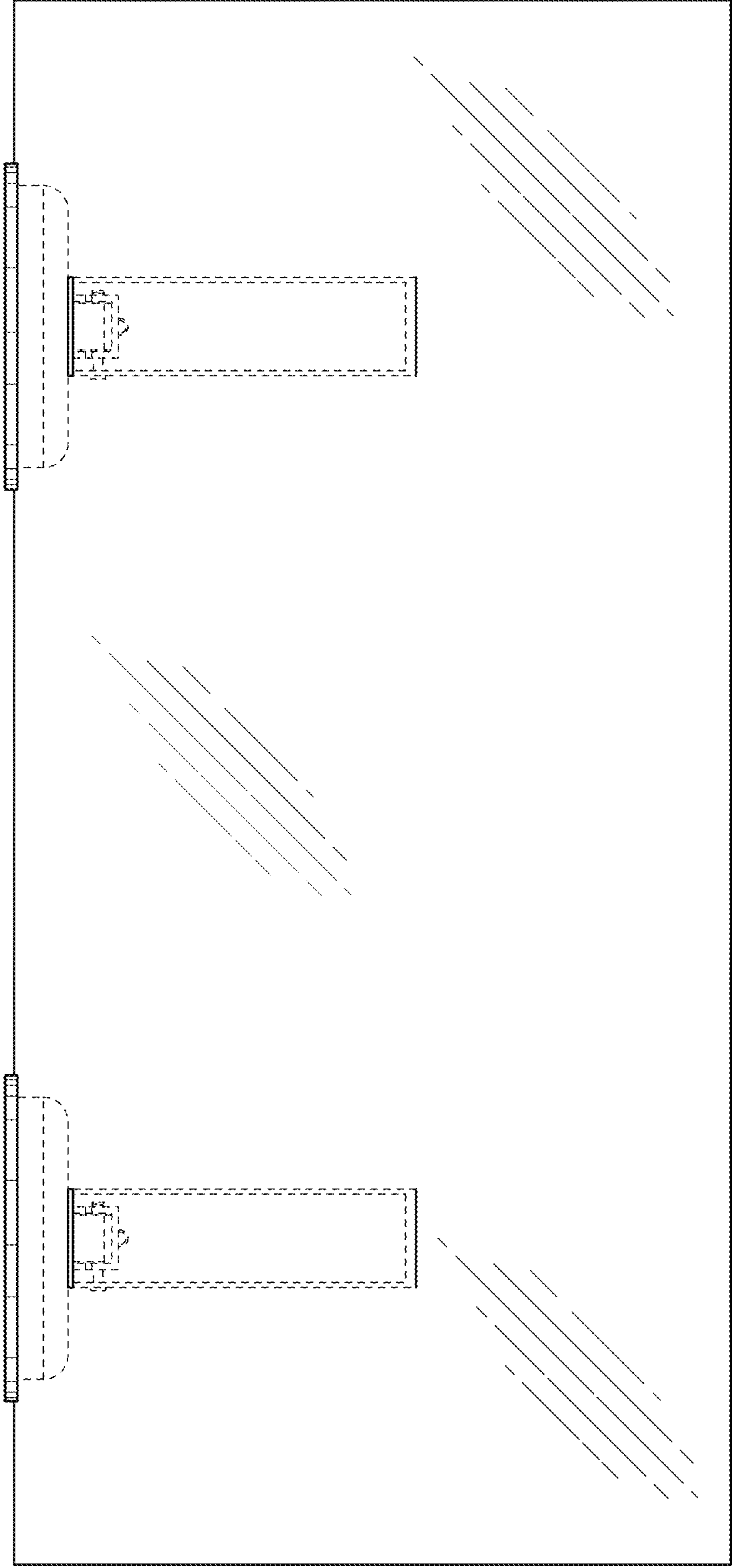


FIG. 5

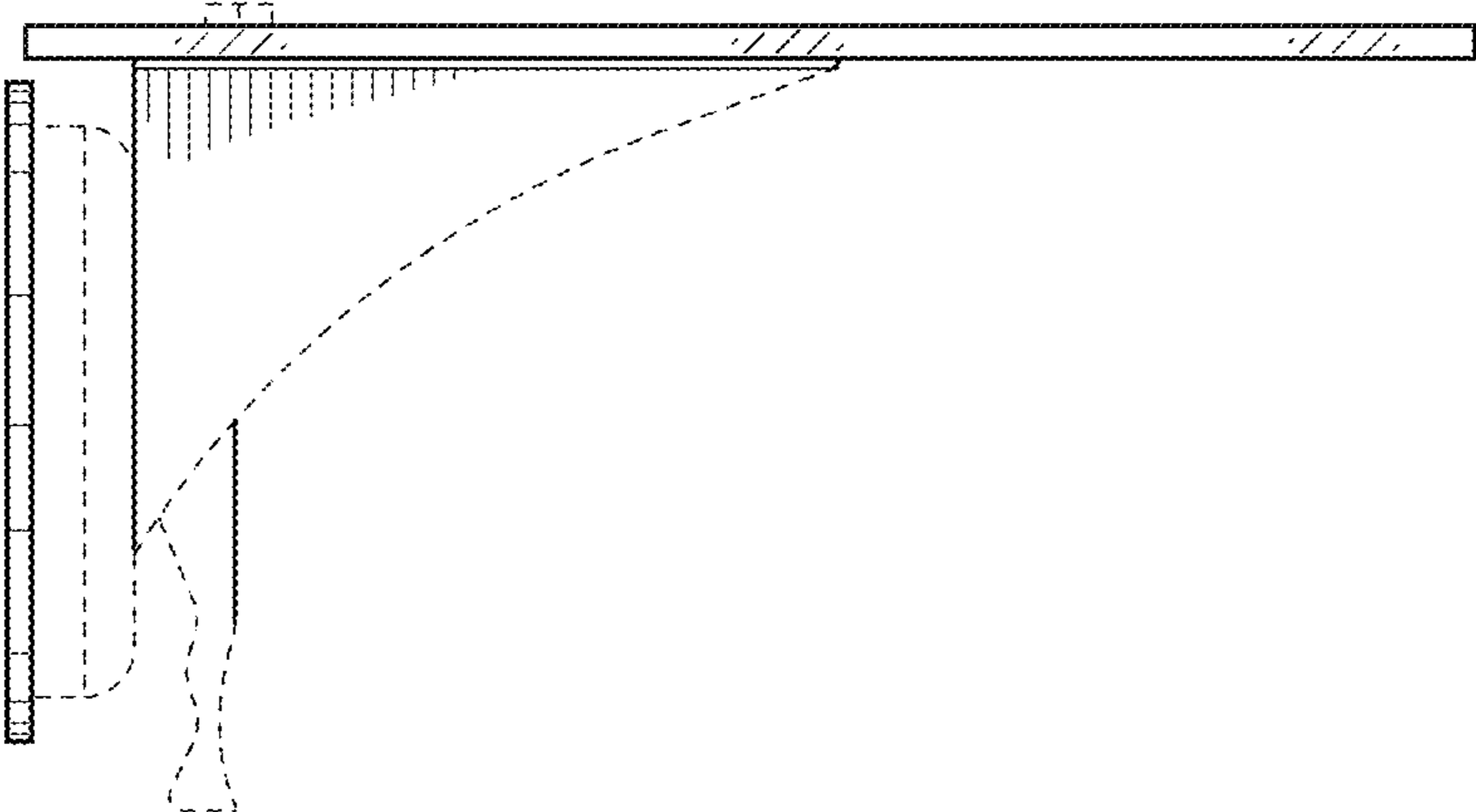


FIG. 6

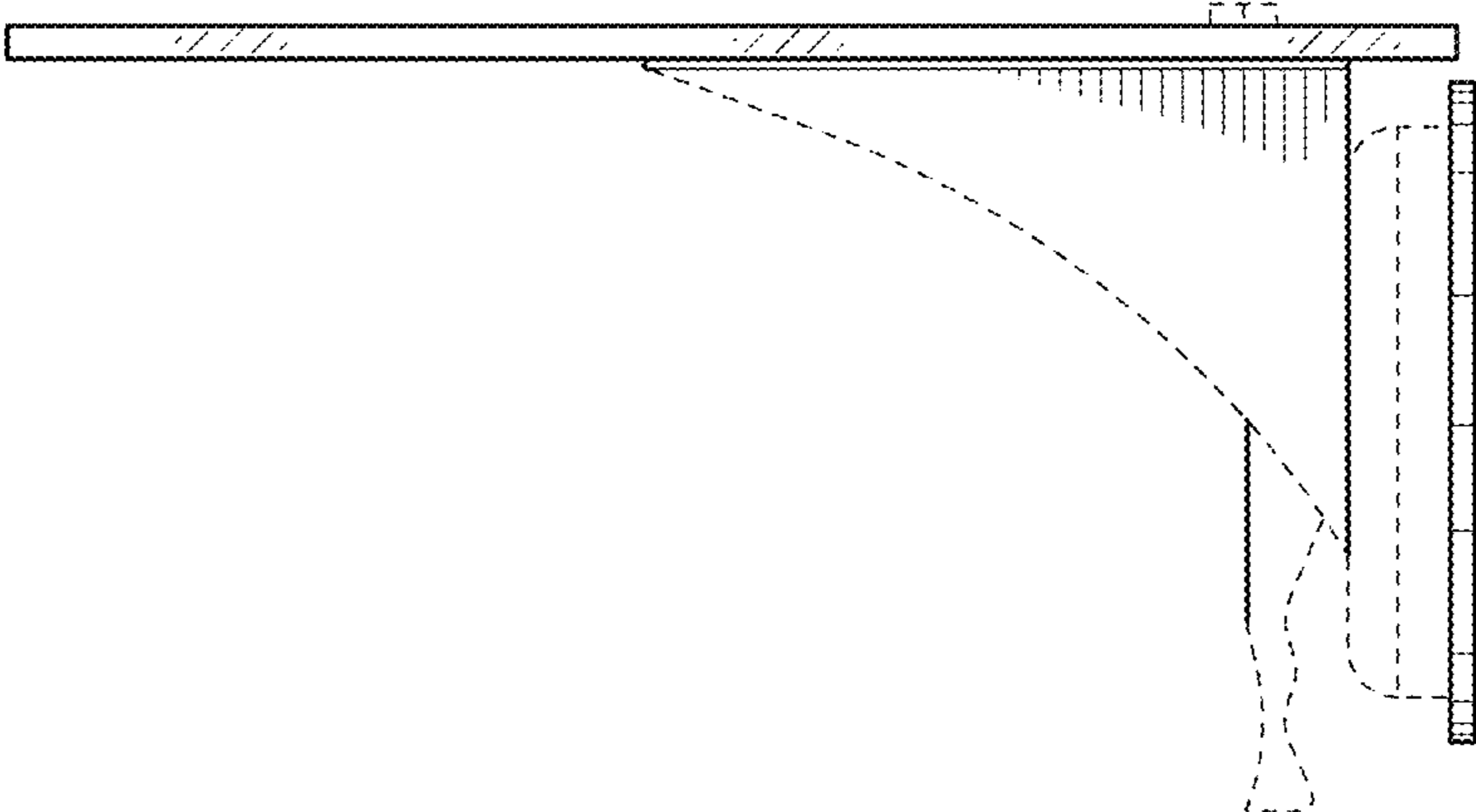


FIG. 7