



US00D817027S

(12) **United States Design Patent**
Manfre

(10) **Patent No.:** **US D817,027 S**

(45) **Date of Patent:** **** May 8, 2018**

(54) **BOTTLE HOLDER**

(71) Applicant: **Michael Manfre**, Albuquerque, NM
(US)

(72) Inventor: **Michael Manfre**, Albuquerque, NM
(US)

(73) Assignee: **BOOMTOWN MANUFACTURING, LLC**, Albuquerque, NM (US)

(**) Term: **15 Years**

(21) Appl. No.: **29/593,869**

(22) Filed: **Feb. 13, 2017**

(51) **LOC (11) Cl.** **07-06**

(52) **U.S. Cl.**
USPC **D6/566**

(58) **Field of Classification Search**
USPC D6/566, 512, 531, 535, 680.1;
D7/601-602, 619.1, 620, 624.1, 701, 704,
D7/708.1; D8/363, 370, 373; 211/71.01,
211/75, 85.31, 90.03; 248/220.31,
248/220.41, 249

CPC A47G 23/0241; A61J 9/06; B65D 11/04;
B65D 85/305

See application file for complete search history.

(56) **References Cited**

U.S. PATENT DOCUMENTS

D295,128 S *	4/1988	Gentile	D6/566
D468,572 S *	1/2003	Battaglia	D6/566
D547,138 S *	7/2007	Goodman	D6/566
D655,986 S *	3/2012	Schneider	D6/566

* cited by examiner

Primary Examiner — Wan Laymon

Assistant Examiner — Mark Booker

(74) *Attorney, Agent, or Firm* — Kameron W. Kramer

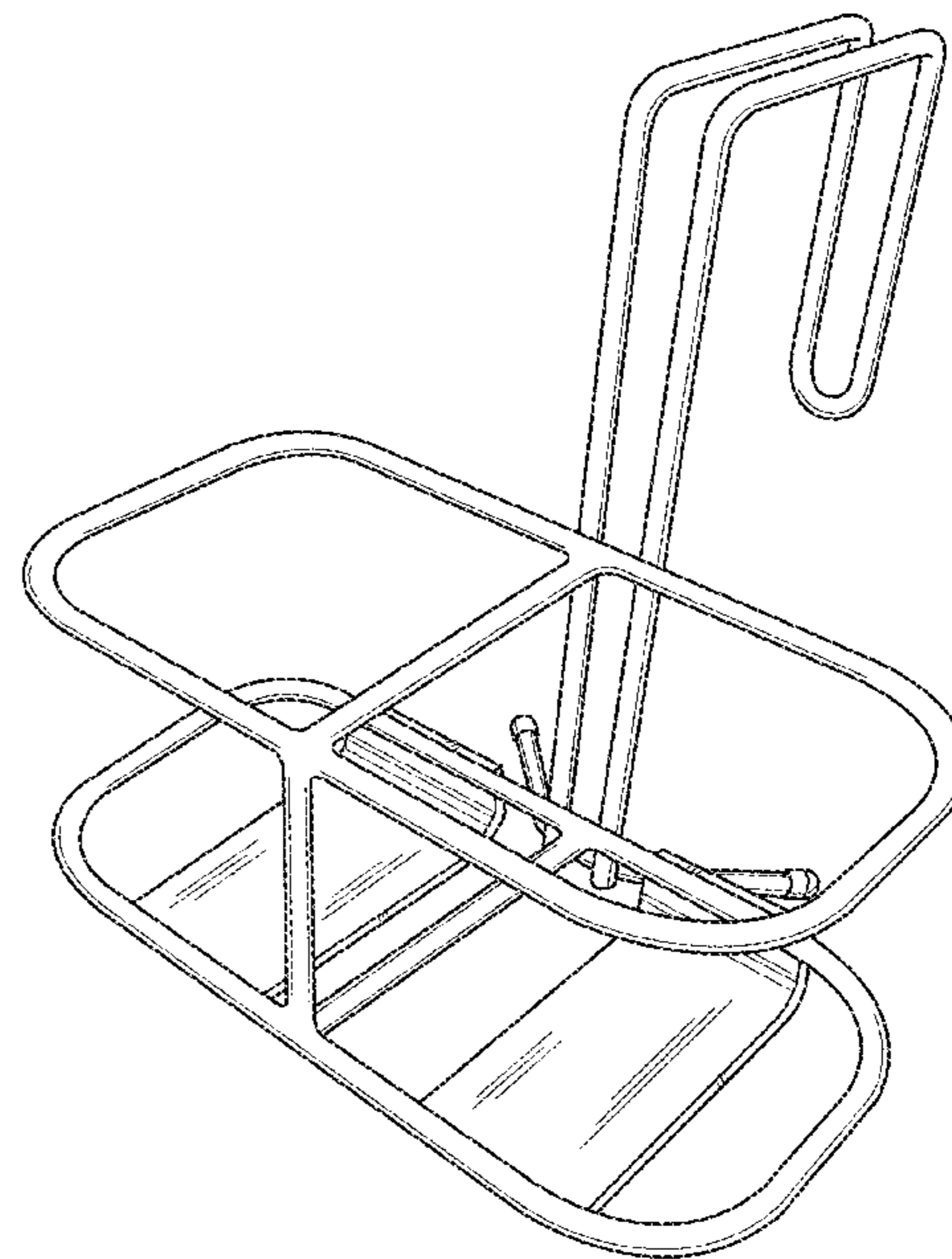
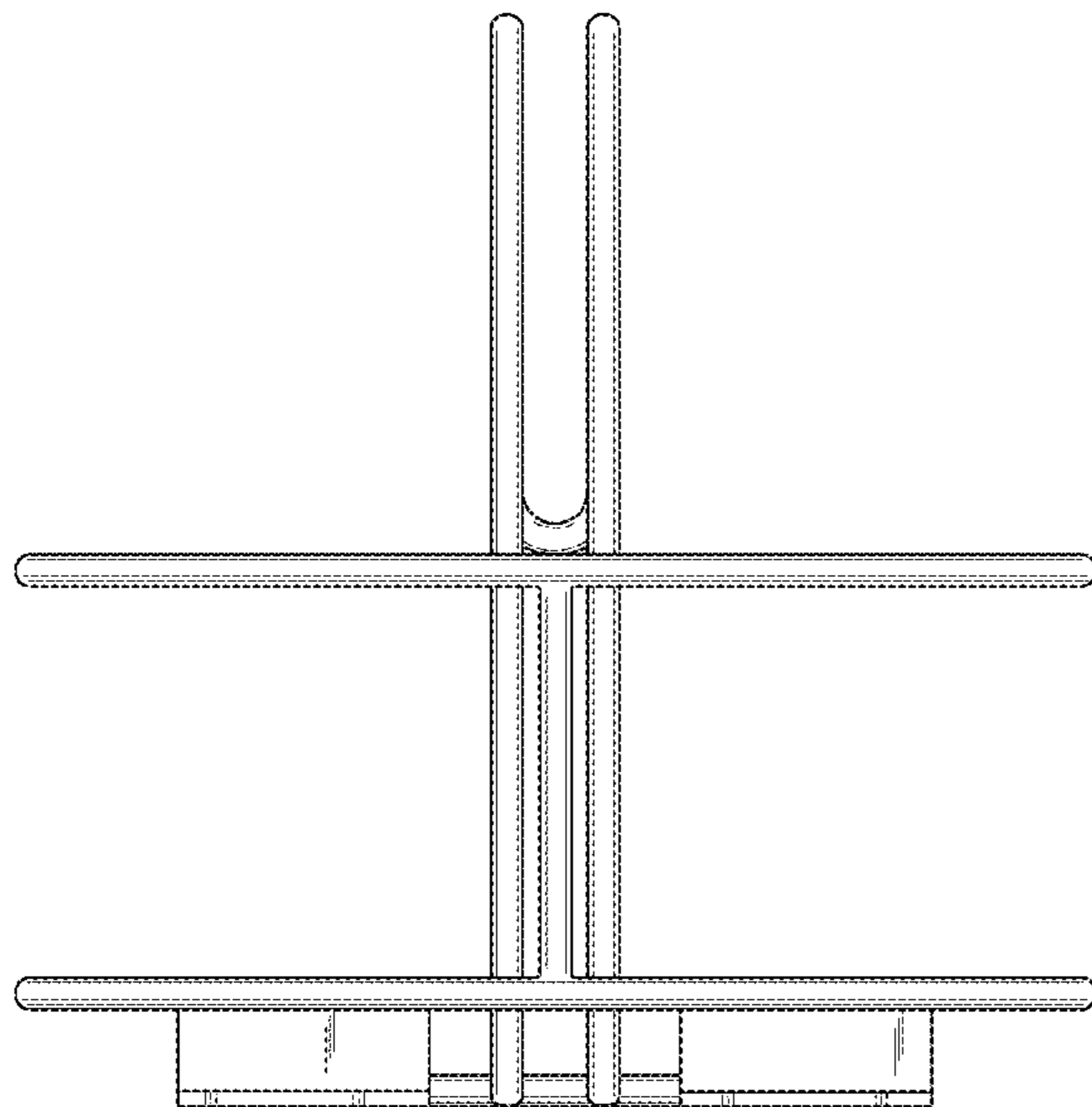
(57) **CLAIM**

The ornamental design for a bottle holder, as shown and described.

DESCRIPTION

FIG. 1 is a front elevation view of a bottle holder showing my new design;
FIG. 2 is a rear elevation view thereof;
FIG. 3 is a side elevation view thereof;
FIG. 4 is a side elevation view thereof;
FIG. 5 is a top plan view thereof;
FIG. 6 is a bottom plan view thereof;
FIG. 7 is a perspective view thereof; and,
FIG. 8 is a perspective view thereof holding a bottle.
The broken lines shown in FIG. 8 represent portions of the bottle holder that form no part of the claimed design.

1 Claim, 8 Drawing Sheets



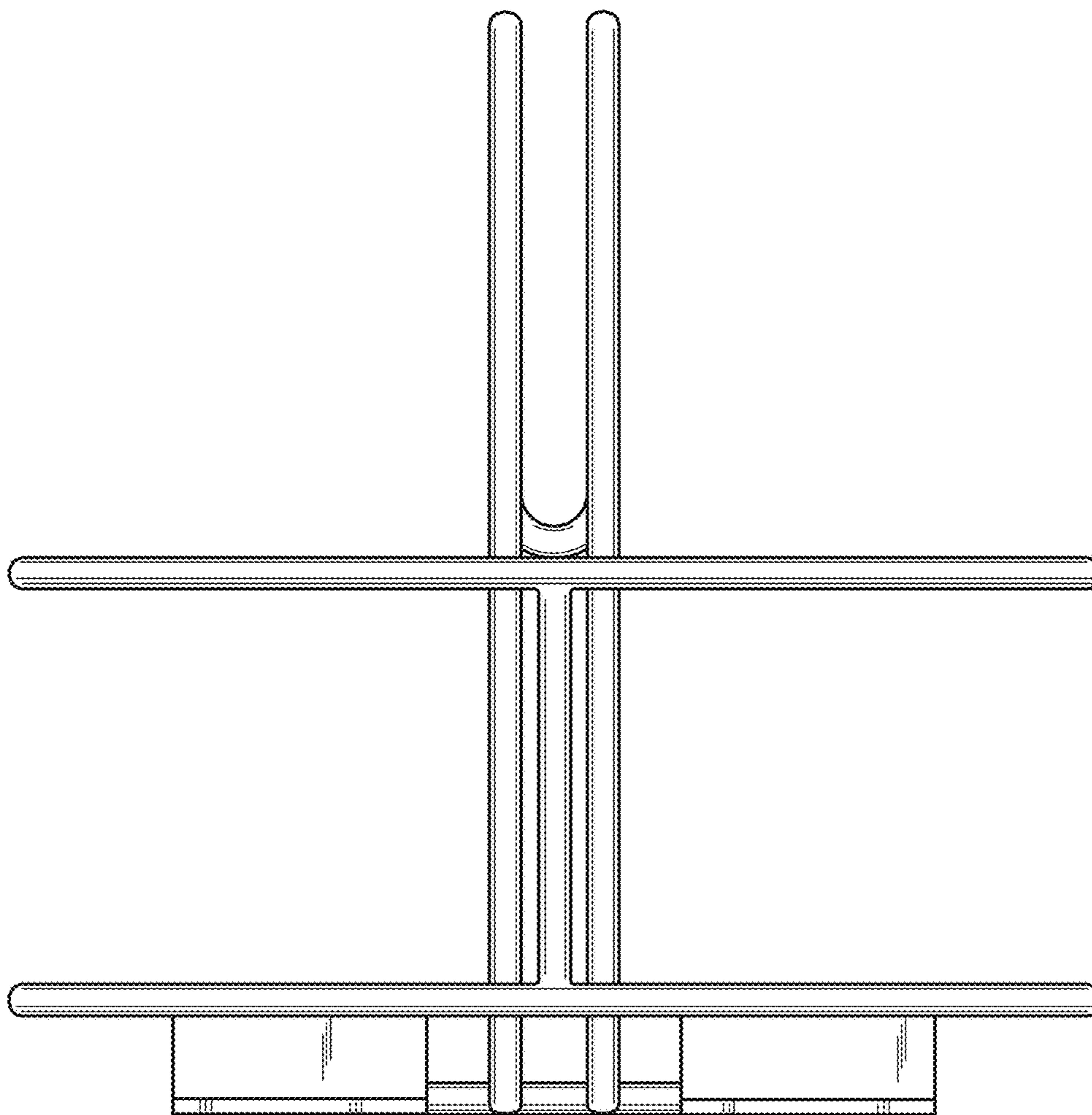


FIG. 1

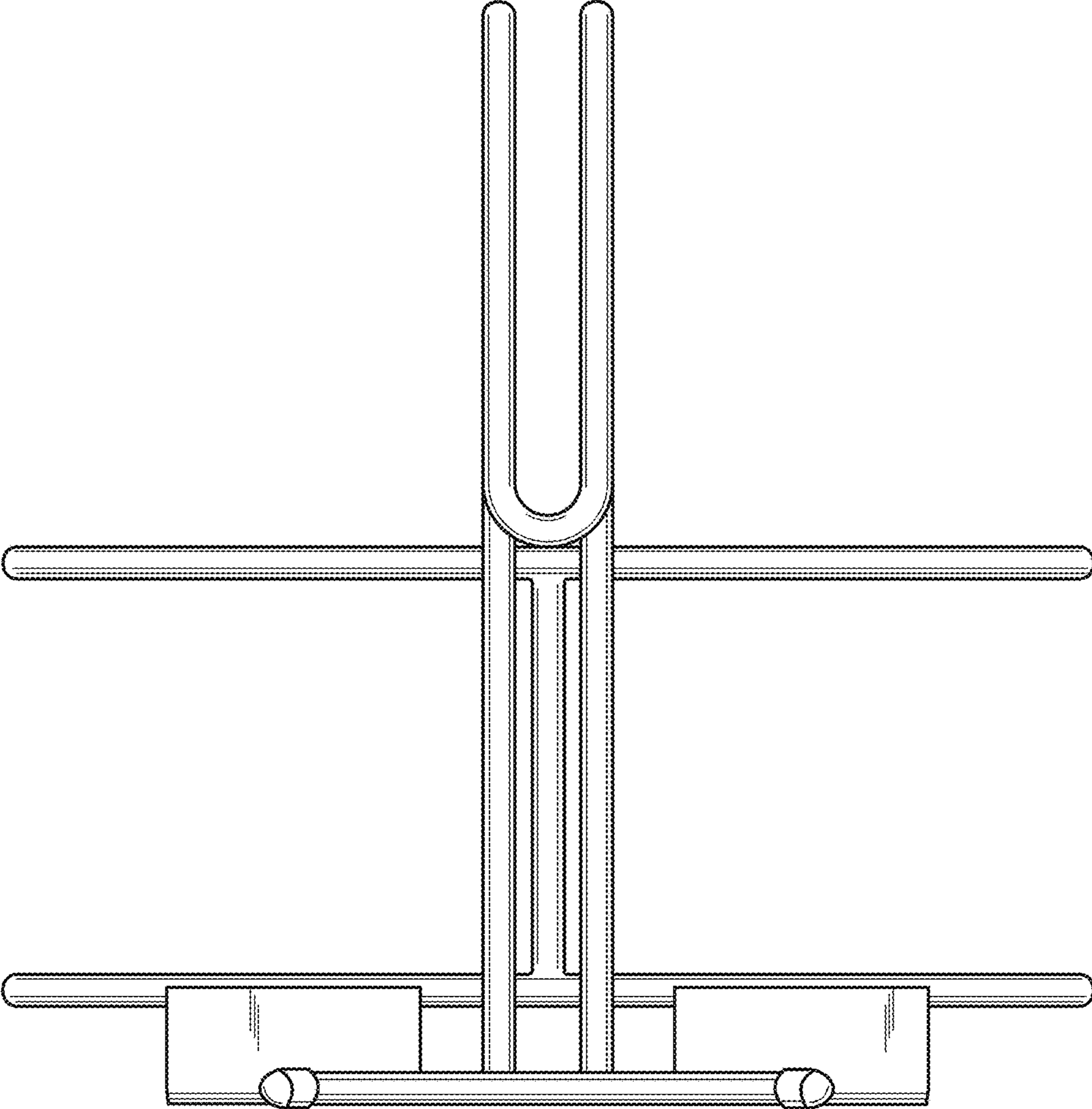


FIG. 2

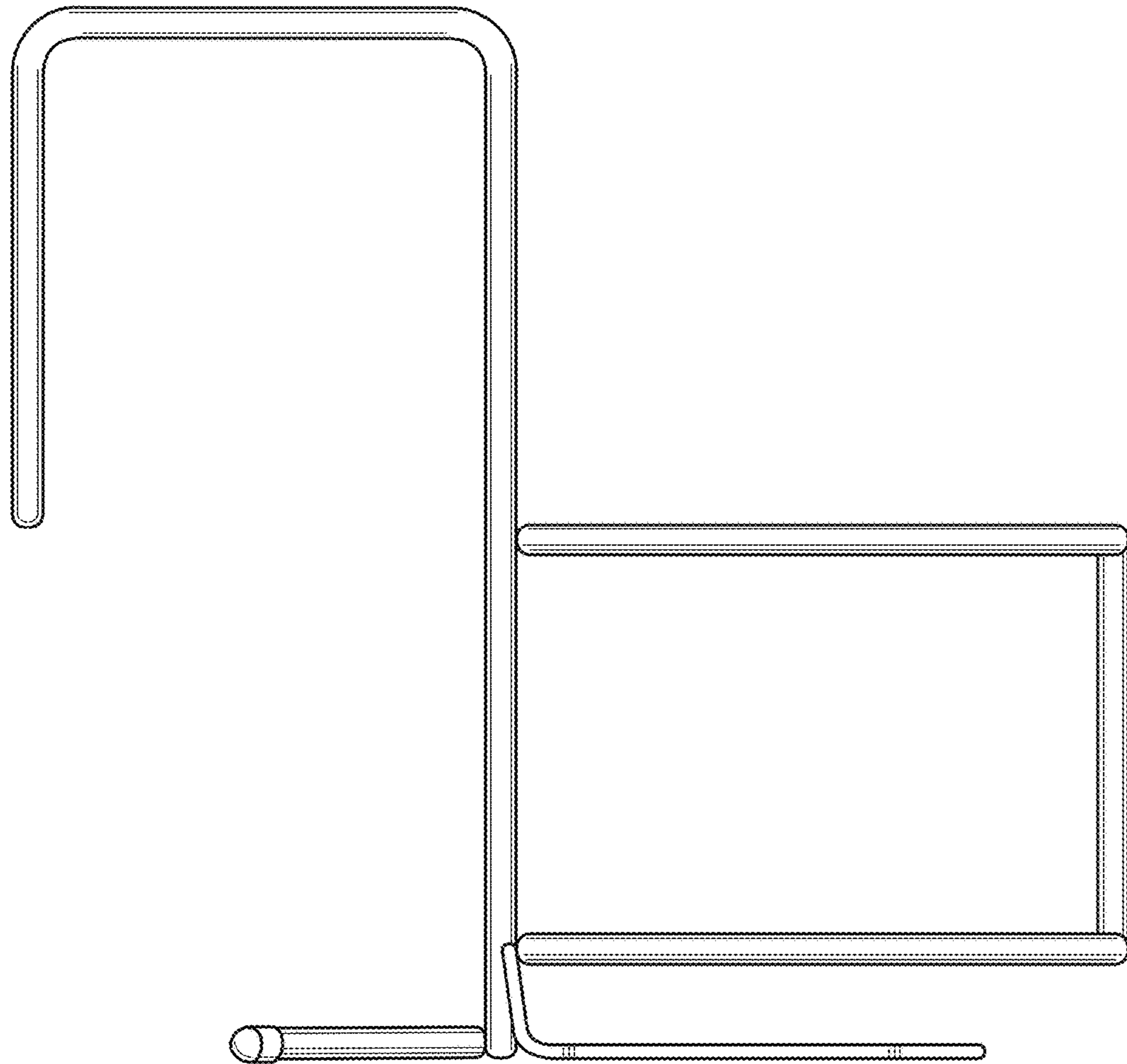


FIG. 3

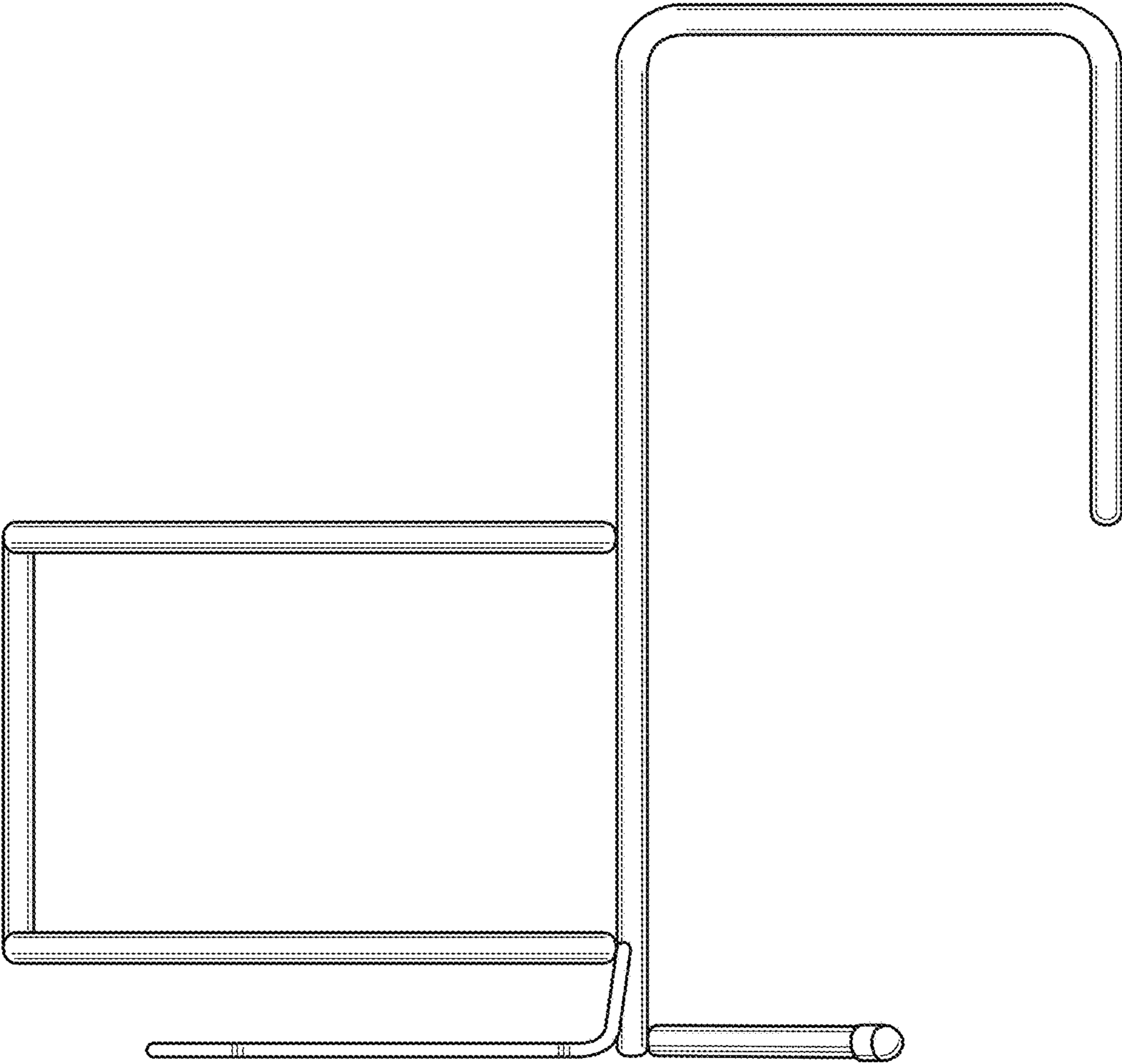


FIG. 4

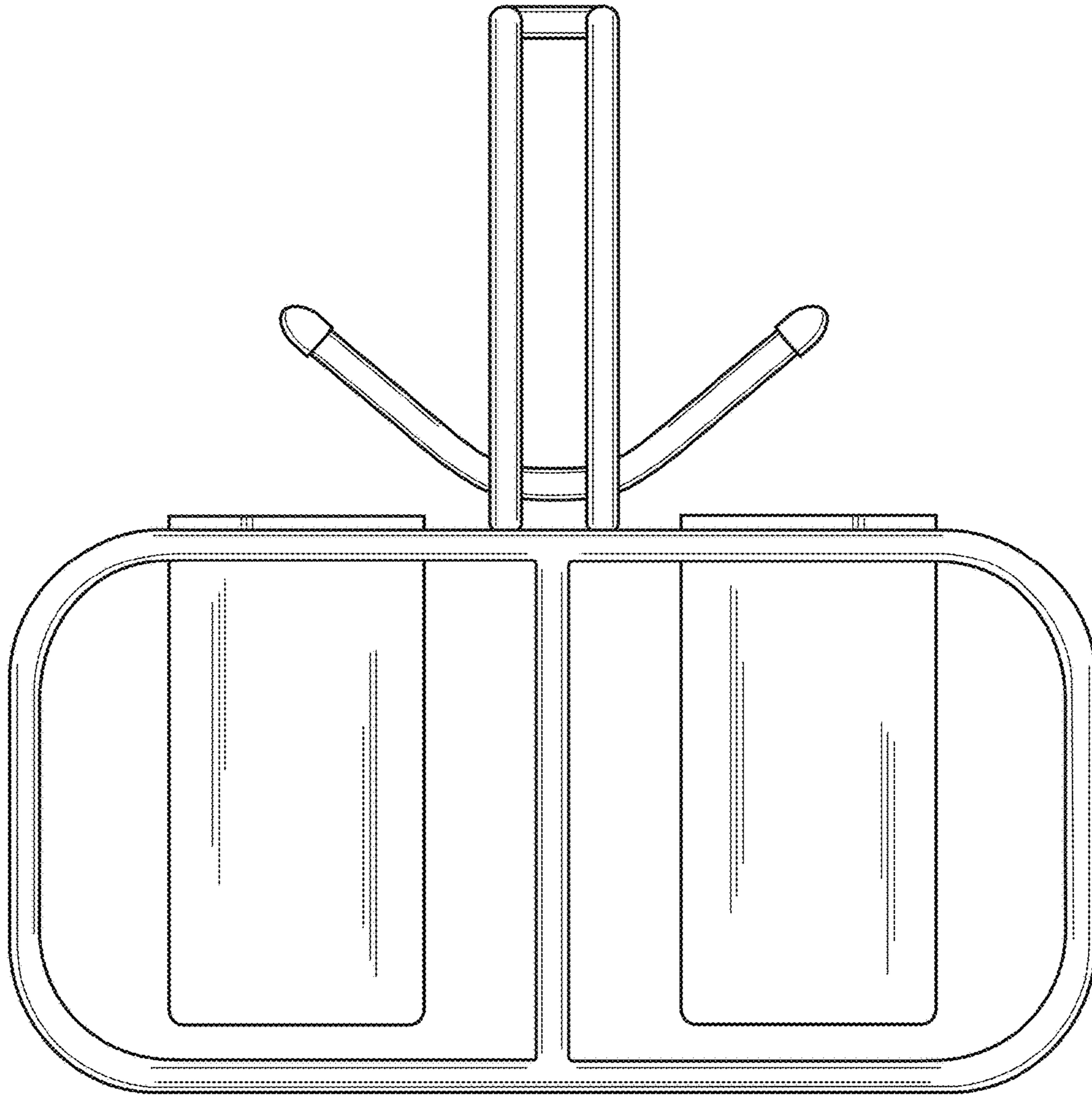


FIG. 5

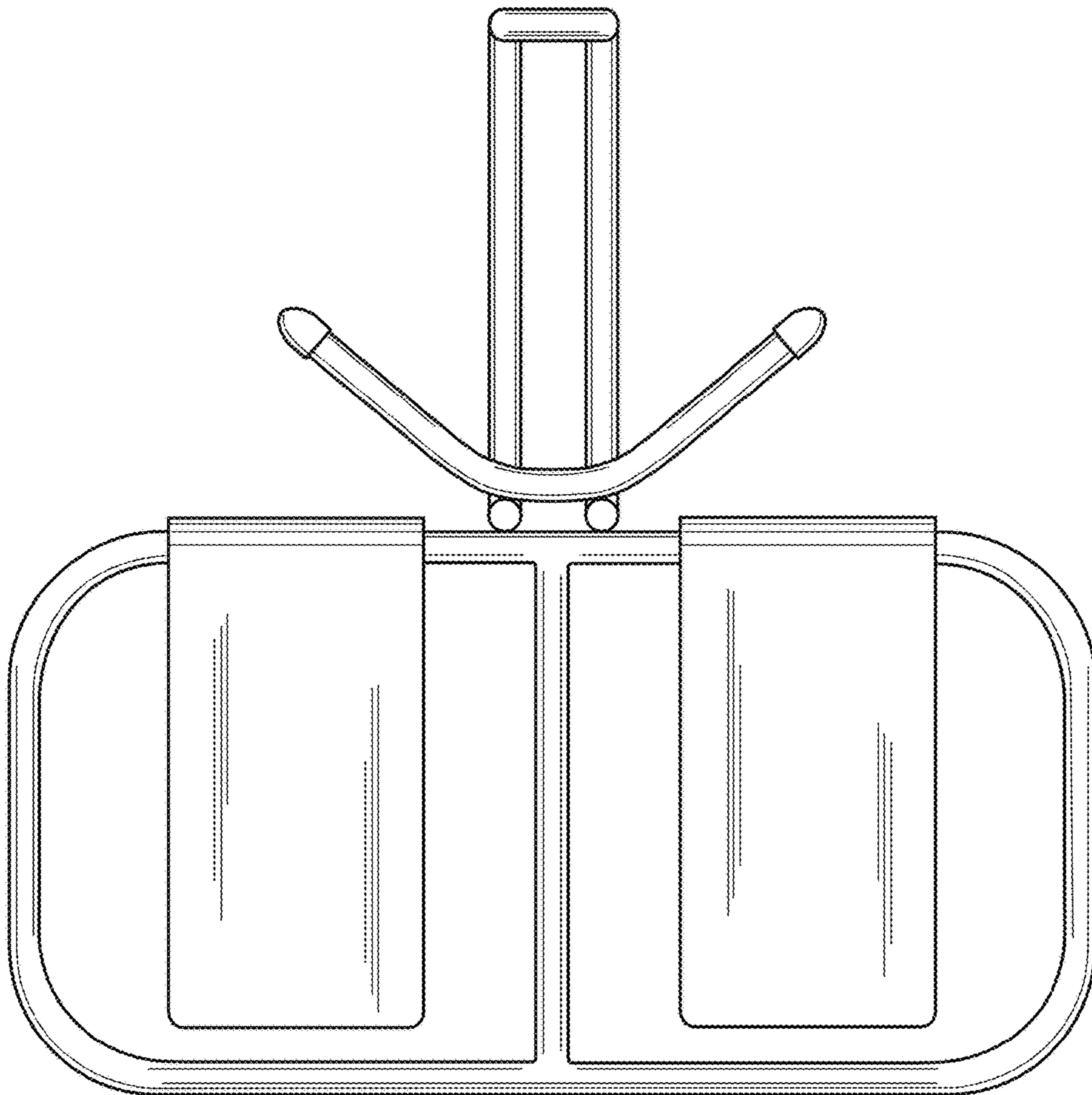


FIG. 6

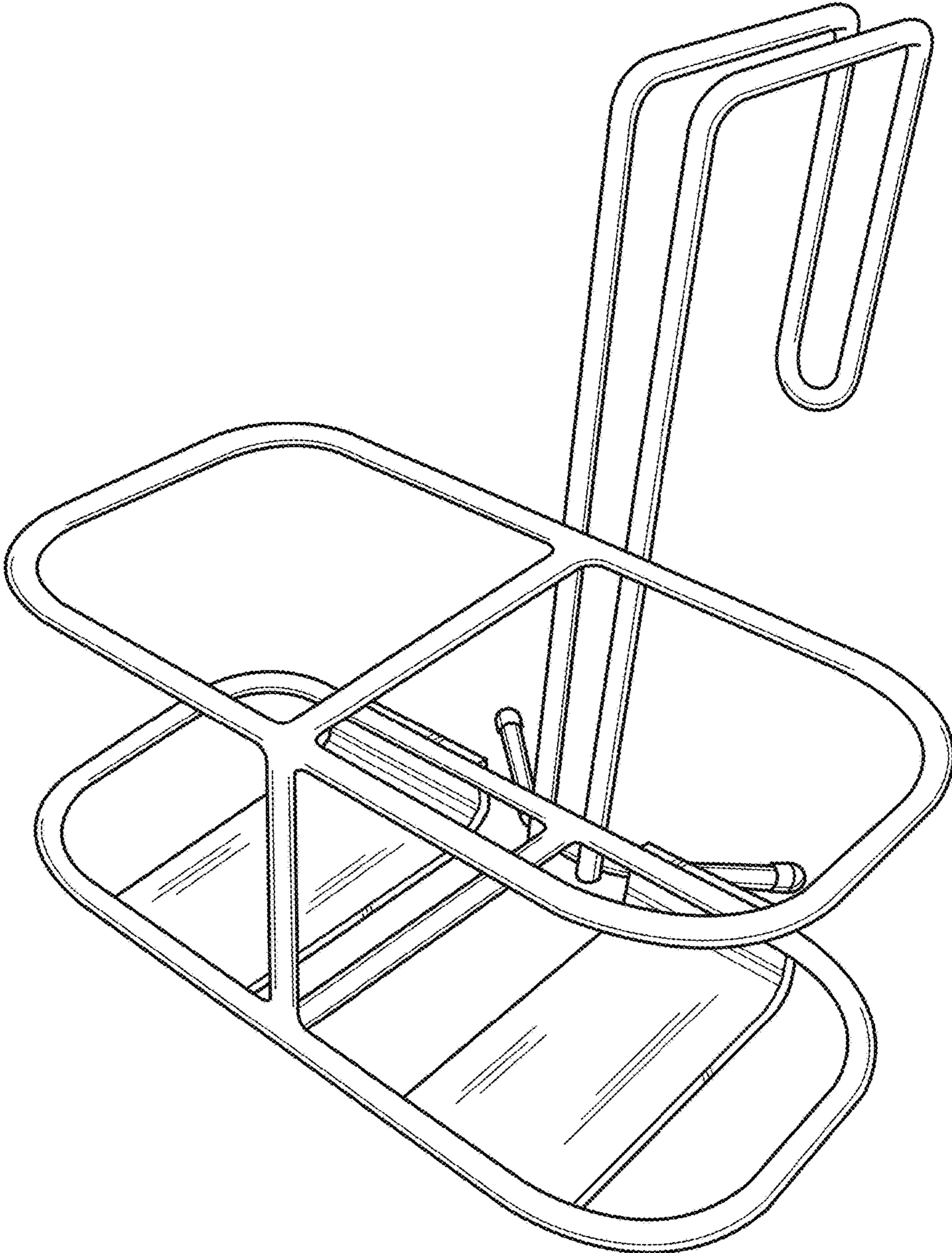


FIG. 7

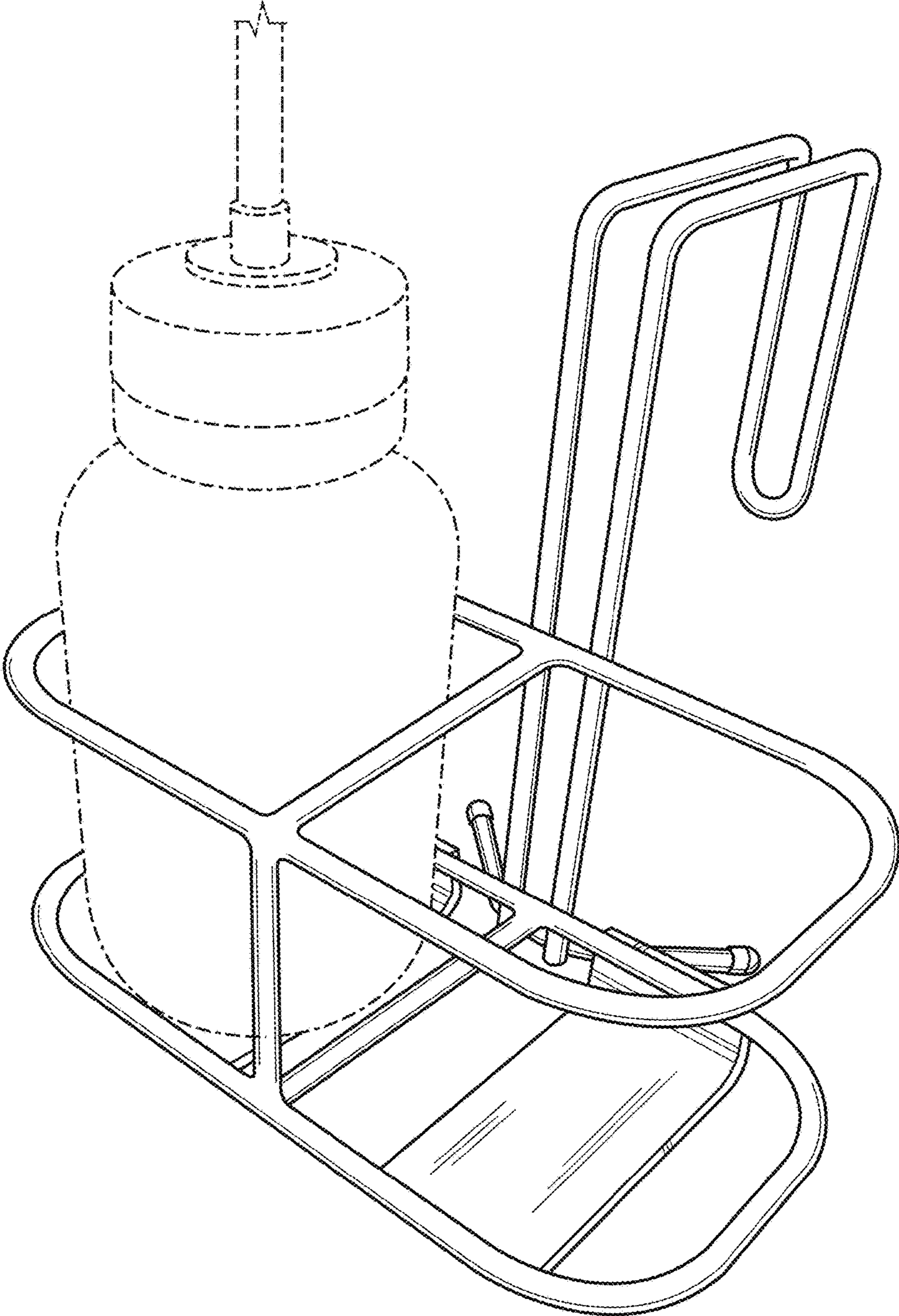


FIG. 8