



US00D817020S

(12) **United States Design Patent**  
**Polifroni**

(10) **Patent No.:** **US D817,020 S**

(45) **Date of Patent:** **\*\* May 8, 2018**

- (54) **BED ATTACHABLE ORGANIZER**
- (71) Applicant: **Virginia Polifroni**, Brooklyn, NY (US)
- (72) Inventor: **Virginia Polifroni**, Brooklyn, NY (US)
- (\*\*) Term: **15 Years**
- (21) Appl. No.: **29/600,224**
- (22) Filed: **Apr. 10, 2017**
- (51) **LOC (11) Cl.** ..... **06-06**
- (52) **U.S. Cl.**  
USPC ..... **D6/513; D6/567**
- (58) **Field of Classification Search**  
USPC ..... D6/512-514, 553, 540, 567, 574;  
211/13.1, 85.1, 82.12, 70.6, 86.01, 87.01,  
211/119.009, 126.1; D3/201, 304, 315,  
D3/901; 206/77.1, 5, 207, 349, 361, 363,  
206/812  
CPC ..... A45C 7/0036; A45C 7/0054; A45C 11/24;  
A45C 13/30; A45C 13/36; A45C 7/0077;  
A45C 7/0095; A45C 13/001; A45F 3/00;  
A45F 5/00; A45F 2005/002; B25H 3/02;  
A44B 11/253  
See application file for complete search history.

- 4,736,853 A \* 4/1988 O'Mara ..... A45C 11/00  
206/224
- D300,398 S \* 3/1989 Krugman ..... D6/514
- D300,399 S \* 3/1989 Krugman ..... D6/514
- D306,520 S \* 3/1990 McCarthy ..... D12/133
- D312,349 S \* 11/1990 Pogue ..... D12/133
- D313,524 S \* 1/1991 Barnes ..... D6/553
- D324,810 S \* 3/1992 Moye, Sr. .... D3/218
- D330,283 S \* 10/1992 Betts ..... D3/315
- D331,514 S \* 12/1992 Willis ..... D6/512
- 5,337,907 A \* 8/1994 McKenzie ..... A45F 3/00  
206/427
- D364,520 S \* 11/1995 Matthews ..... D6/514
- 5,544,745 A \* 8/1996 Famorca ..... A45C 15/00  
206/320
- D393,392 S \* 4/1998 Hartenstine ..... D3/902
- D402,840 S \* 12/1998 Servis ..... D6/553

(Continued)

*Primary Examiner* — David G Muller  
*Assistant Examiner* — Nathan M Johnston  
 (74) *Attorney, Agent, or Firm* — RG Patent Consulting,  
 LLC; Rachel Gilboay

(57) **CLAIM**

The ornamental design for a bed attachable organizer, as shown and described.

(56) **References Cited**

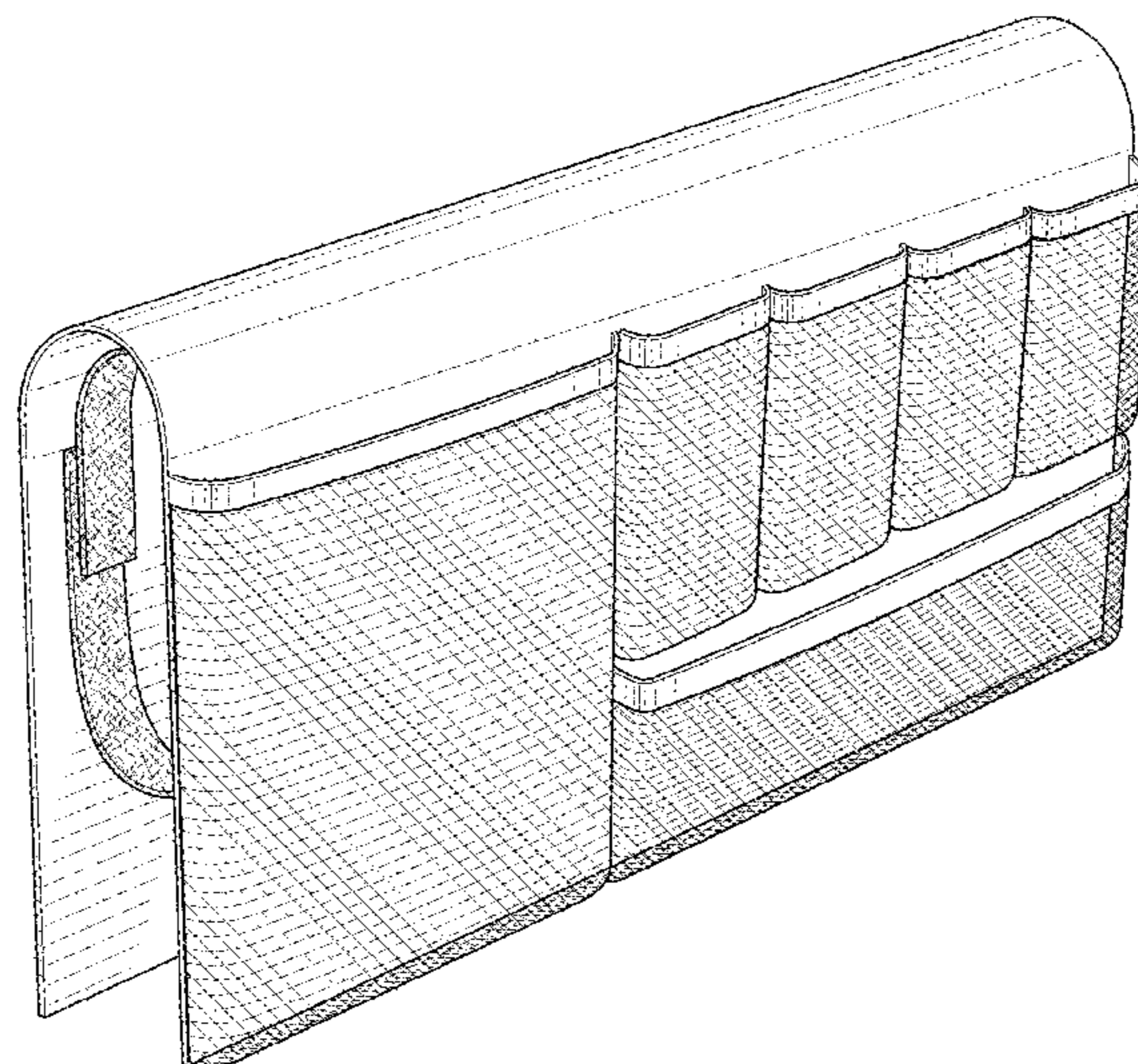
U.S. PATENT DOCUMENTS

- 2,405,517 A \* 8/1946 Plummer ..... B65D 71/0003  
206/162
- D175,798 S \* 10/1955 Price ..... D3/293
- 2,758,798 A \* 8/1956 Schmidt ..... B25H 3/00  
206/234
- 3,187,903 A \* 6/1965 Oltz ..... A47F 7/146  
211/88.01
- 3,967,666 A \* 7/1976 Farrar ..... A61G 7/0503  
383/39
- D256,636 S \* 9/1980 Leishman ..... D6/315
- 4,342,390 A \* 8/1982 Mitchell ..... A61L 2/26  
206/363
- D274,019 S \* 5/1984 Stead ..... D3/201

**DESCRIPTION**

FIG. 1 is a perspective view of the bed attachable organizer showing my new design;  
 FIG. 2 is a front elevation view thereof;  
 FIG. 3 is a rear elevation view thereof;  
 FIG. 4 is a left elevation view thereof;  
 FIG. 5 is a right elevation view thereof;  
 FIG. 6 is a top plan view thereof; and,  
 FIG. 7 is a bottom plan view thereof.  
 Broken lines are included for depicting environmental subject matter and form no part of the claimed design.

**1 Claim, 5 Drawing Sheets**



(56)

References Cited

U.S. PATENT DOCUMENTS

5,872,702 A \* 2/1999 Kopel ..... H01H 9/025  
 174/535  
 D420,510 S \* 2/2000 Rotan ..... D3/201  
 D427,781 S \* 7/2000 Rogman ..... D6/320  
 D430,534 S \* 9/2000 Golenz ..... D12/416  
 D438,412 S \* 3/2001 Dolan ..... D6/513  
 D458,461 S \* 6/2002 Ragan-Masters ..... D6/301  
 D487,093 S \* 2/2004 Hassett ..... D14/448  
 D487,635 S \* 3/2004 Collins ..... D3/315  
 D543,760 S \* 6/2007 Utzinger, III ..... D6/553  
 D544,274 S \* 6/2007 Hume ..... D6/553  
 D639,092 S \* 6/2011 Lundy ..... D6/513  
 D658,568 S \* 5/2012 Currier ..... D12/416  
 D664,357 S \* 7/2012 Kinsky ..... D3/315  
 D666,439 S \* 9/2012 Kinsky ..... D6/514  
 D666,440 S \* 9/2012 Kinsky ..... D6/514  
 D666,441 S \* 9/2012 Kinsky ..... D6/514  
 D693,595 S \* 11/2013 Pierre-Pipkin ..... D6/513  
 D765,976 S \* 9/2016 Wood ..... D3/304  
 D800,452 S \* 10/2017 Rosenbluth ..... D3/301  
 2004/0140282 A1 \* 7/2004 Wang ..... A47F 7/14  
 211/113  
 2006/0060497 A1 \* 3/2006 Bennett ..... B60R 7/08  
 206/762  
 2012/0138496 A1 \* 6/2012 Tonelli ..... A45C 7/0036  
 206/349  
 2013/0105533 A1 \* 5/2013 Orduno ..... B60R 7/043  
 224/275

\* cited by examiner

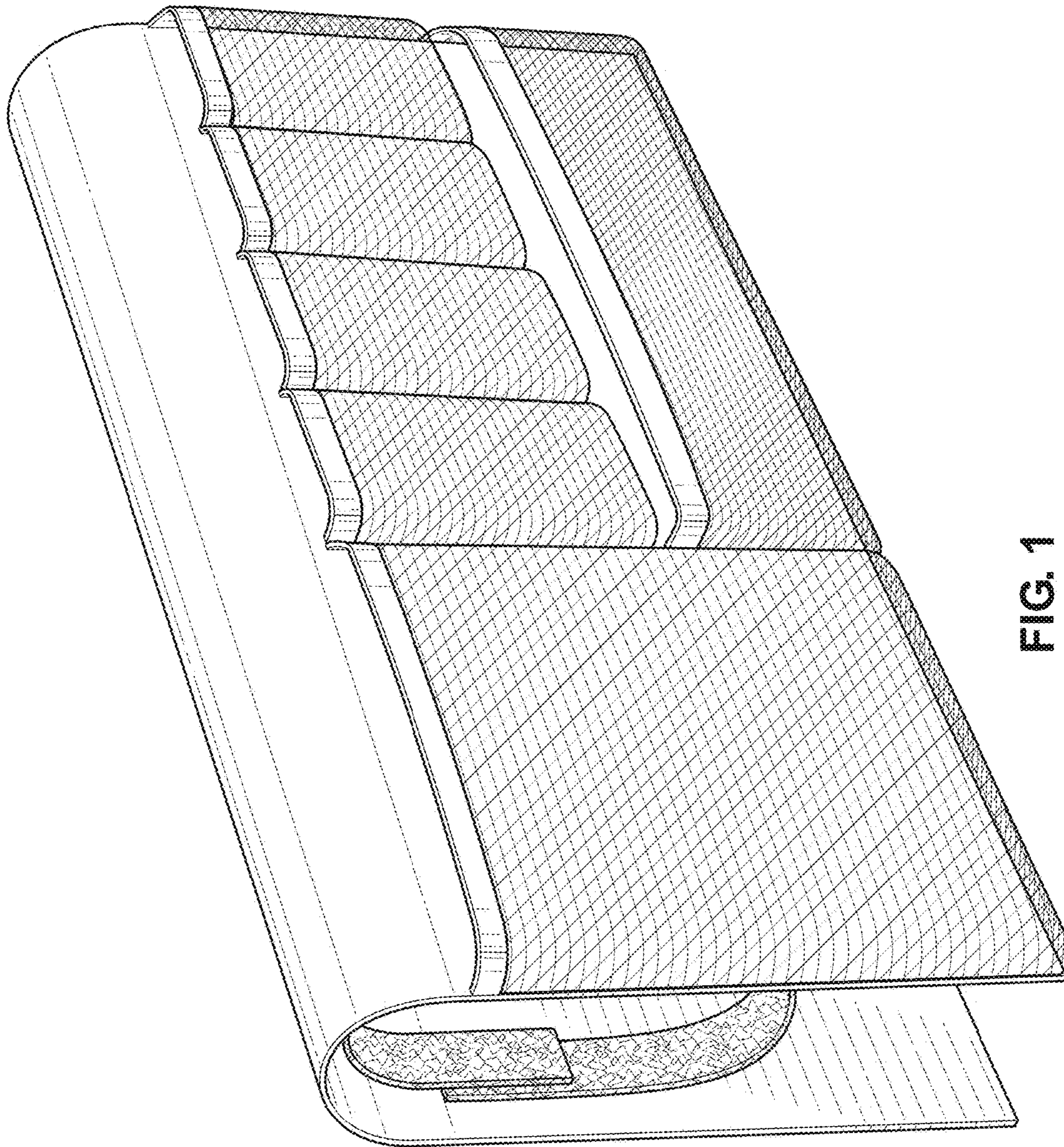


FIG. 1

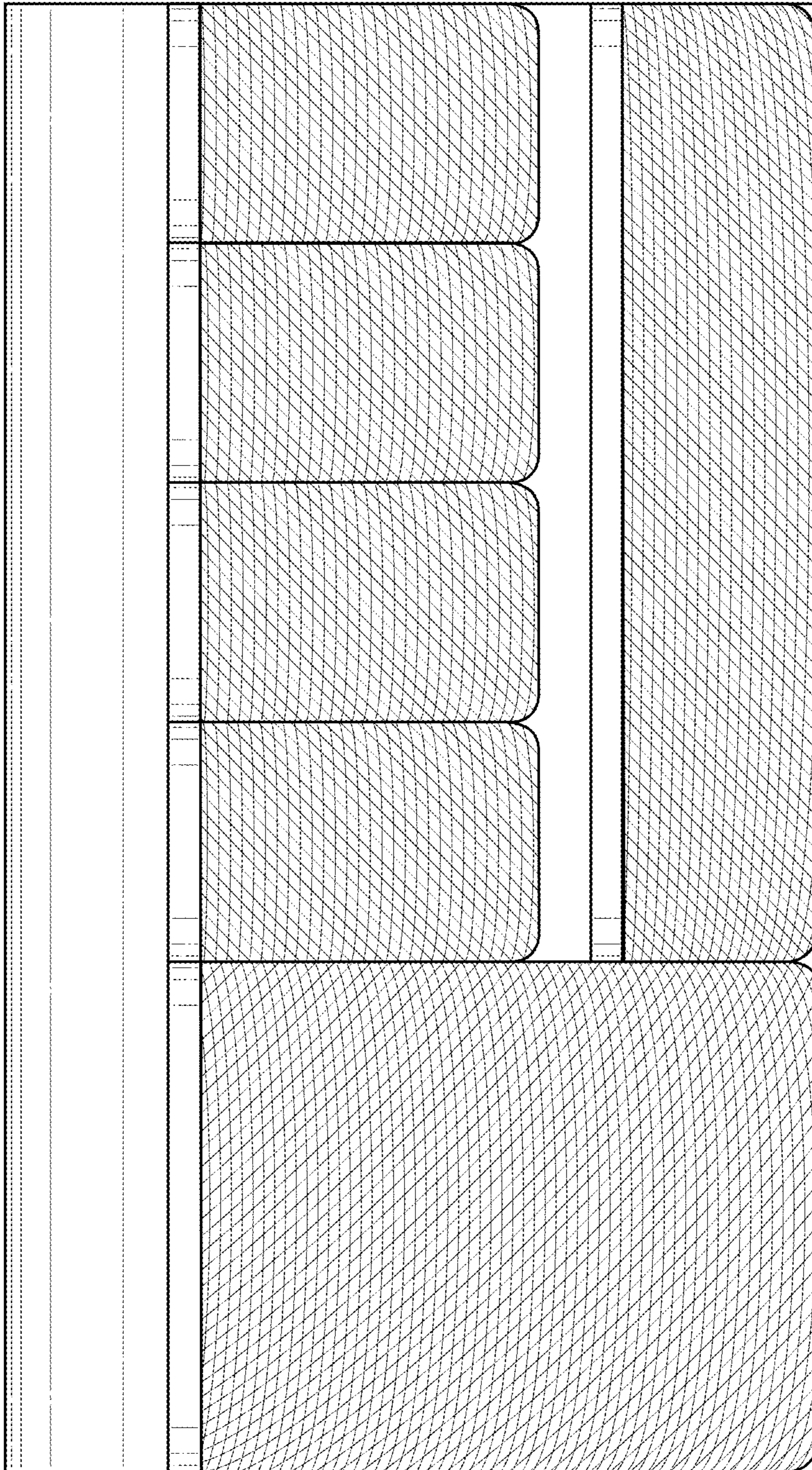
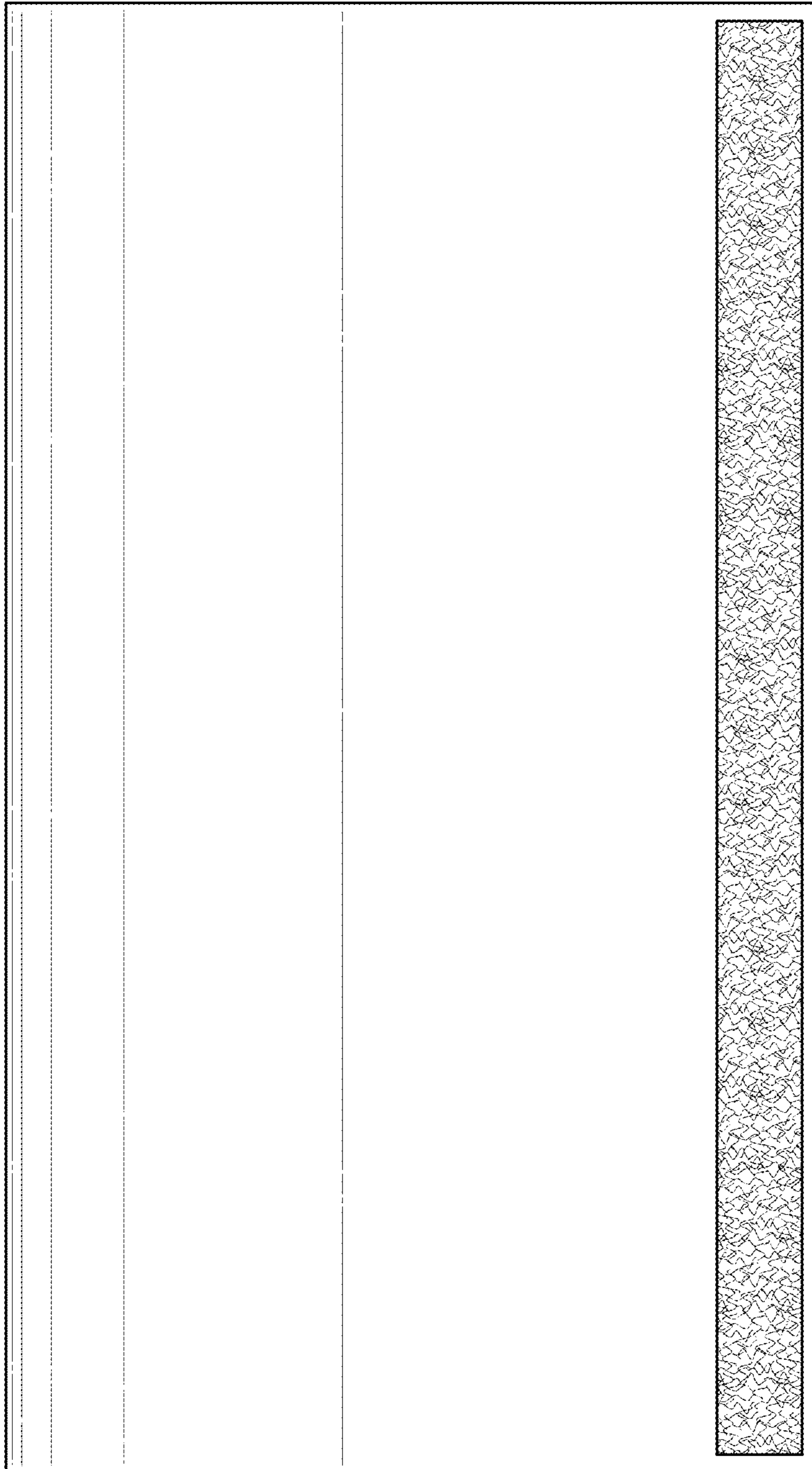


FIG. 2



**FIG. 3**

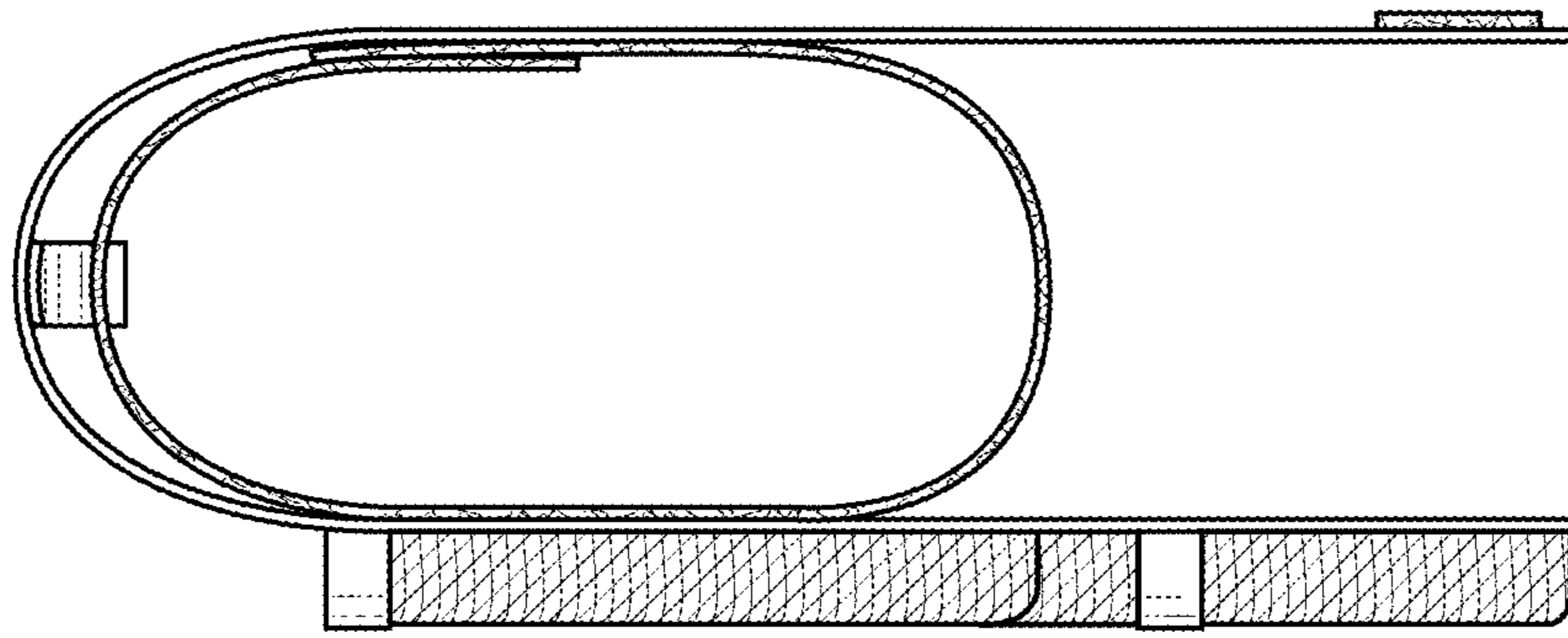


FIG. 5

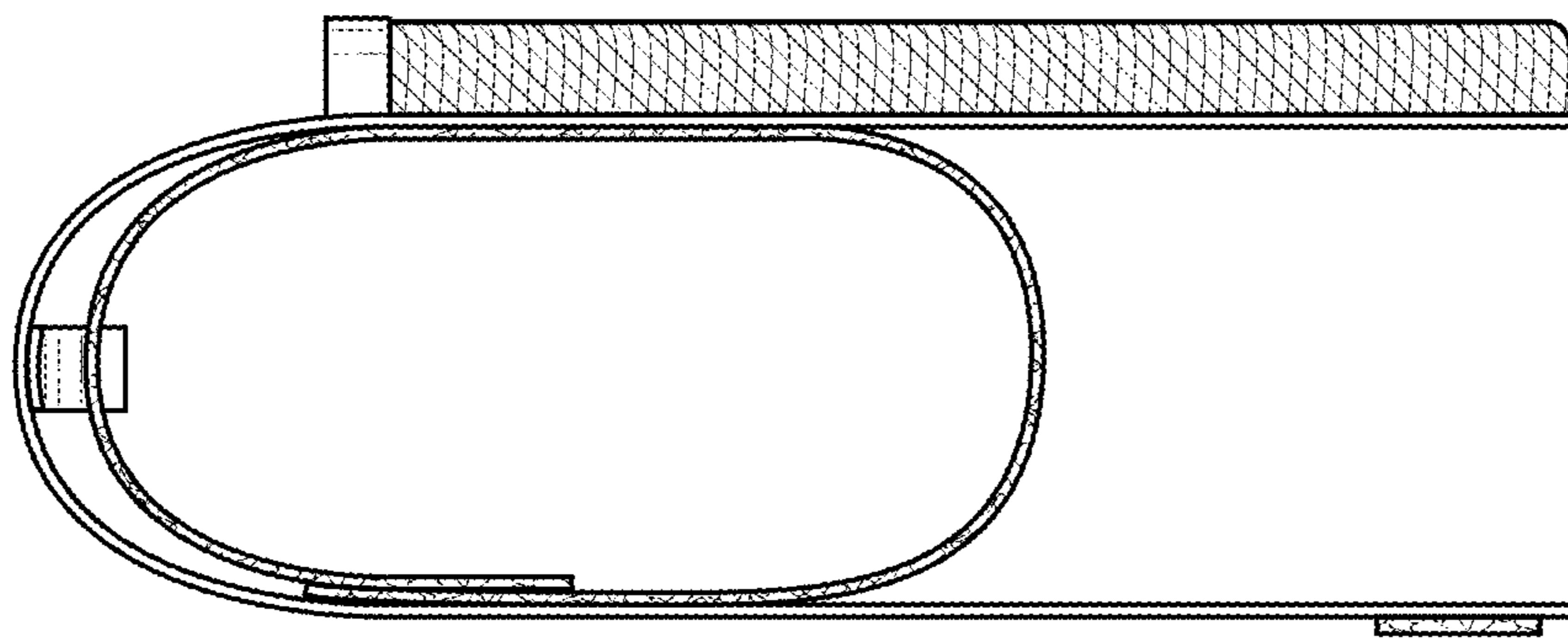


FIG. 4

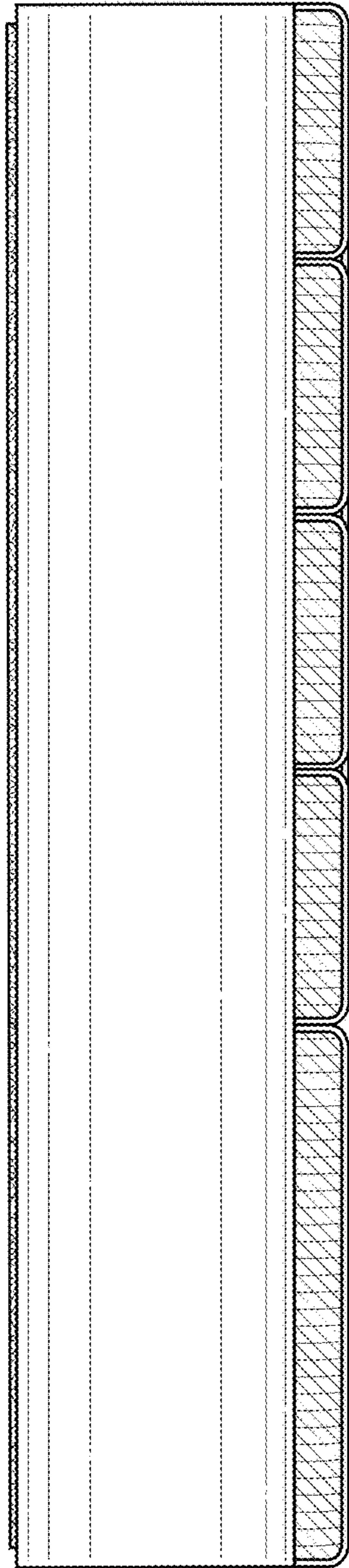


FIG. 6

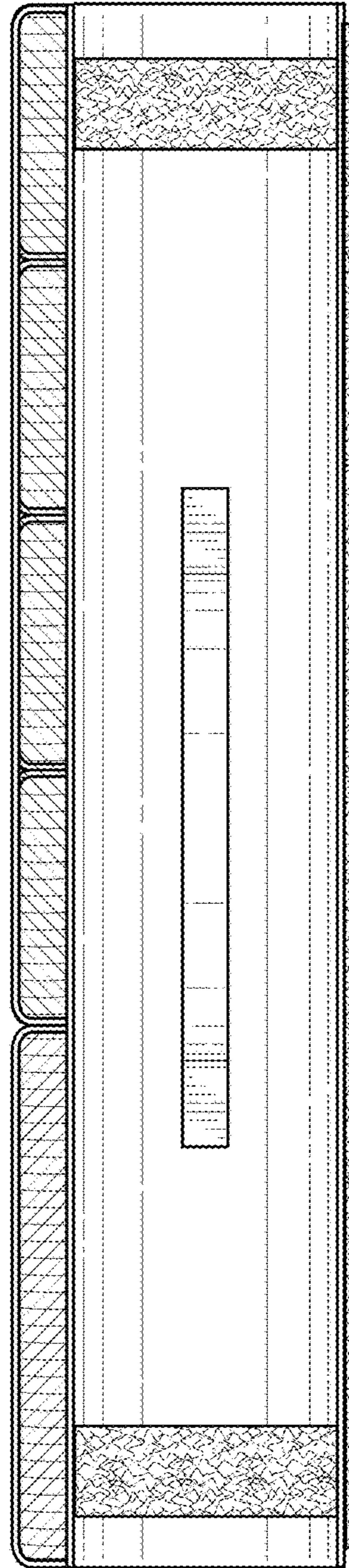


FIG. 7