



US00D817017S

(12) **United States Design Patent**
Levine et al.

(10) **Patent No.:** **US D817,017 S**
(45) **Date of Patent:** **** May 8, 2018**

(54) **LOUNGE CHAIR**

- (71) Applicant: **DONGHIA INC.**, Milford, CT (US)
- (72) Inventors: **Stephen Levine**, New York, NY (US);
Gabriele Rosina, Brooklyn, NY (US)
- (73) Assignee: **DONGHIA INC.**, Milford, CT (US)
- (**) Term: **15 Years**
- (21) Appl. No.: **29/598,568**
- (22) Filed: **Mar. 27, 2017**
- (51) **LOC (11) Cl.** **06-01**
- (52) **U.S. Cl.**
USPC **D6/374**
- (58) **Field of Classification Search**
USPC D6/334-336, 374, 375, 376, 379, 380,
D6/716, 716.1, 716.2, 716.3, 716.4
CPC .. A47C 4/02; A47C 4/03; A47C 4/024; A47C
4/028; A47C 7/021; A47C 7/18; A47C
7/24
See application file for complete search history.

(56) **References Cited**

U.S. PATENT DOCUMENTS

D147,615 S	*	10/1947	Eames	D6/374
D174,931 S	*	6/1955	Thal	D6/379
D195,256 S	*	5/1963	Andersenn et al.	D6/374
D205,658 S	*	9/1966	Muller	D6/374
D326,578 S	*	6/1992	Kaye	D6/716.4
D334,296 S	*	3/1993	Hutton	D6/374
D395,758 S	*	7/1998	Hutton	D6/380
D478,430 S	*	8/2003	Olson	D6/380
D515,325 S	*	2/2006	Goldman	D6/375
D610,844 S	*	3/2010	Muller	D6/716.4
D709,711 S	*	7/2014	Citterio	D6/379

OTHER PUBLICATIONS

Adrian Pearsall Lounge Chairs, designed by Adrian Pearsall, print-out available online on Jun. 13, 2017 at: <https://www.incollect.com/listings/furniture/seating/adrian-pearsall-pair-of-adrian-pearsall-lounge-chairs-143178>, 4 pages.
Swedish dining chairs, printout available online on Jun. 13, 2017 at: <https://www.pinterest.com/pin/341358846725938153/>, 1 page.
Hollywood style chairs, designed by William Haines, printout available online on Jun. 13, 2017 at: <https://www.casartcoverings.com/casartblog/old-hollywood-style/>, 2 pages.

* cited by examiner

Primary Examiner — Mimoso De
(74) *Attorney, Agent, or Firm* — Heslin Rothenberg Farley & Mesiti P.C.

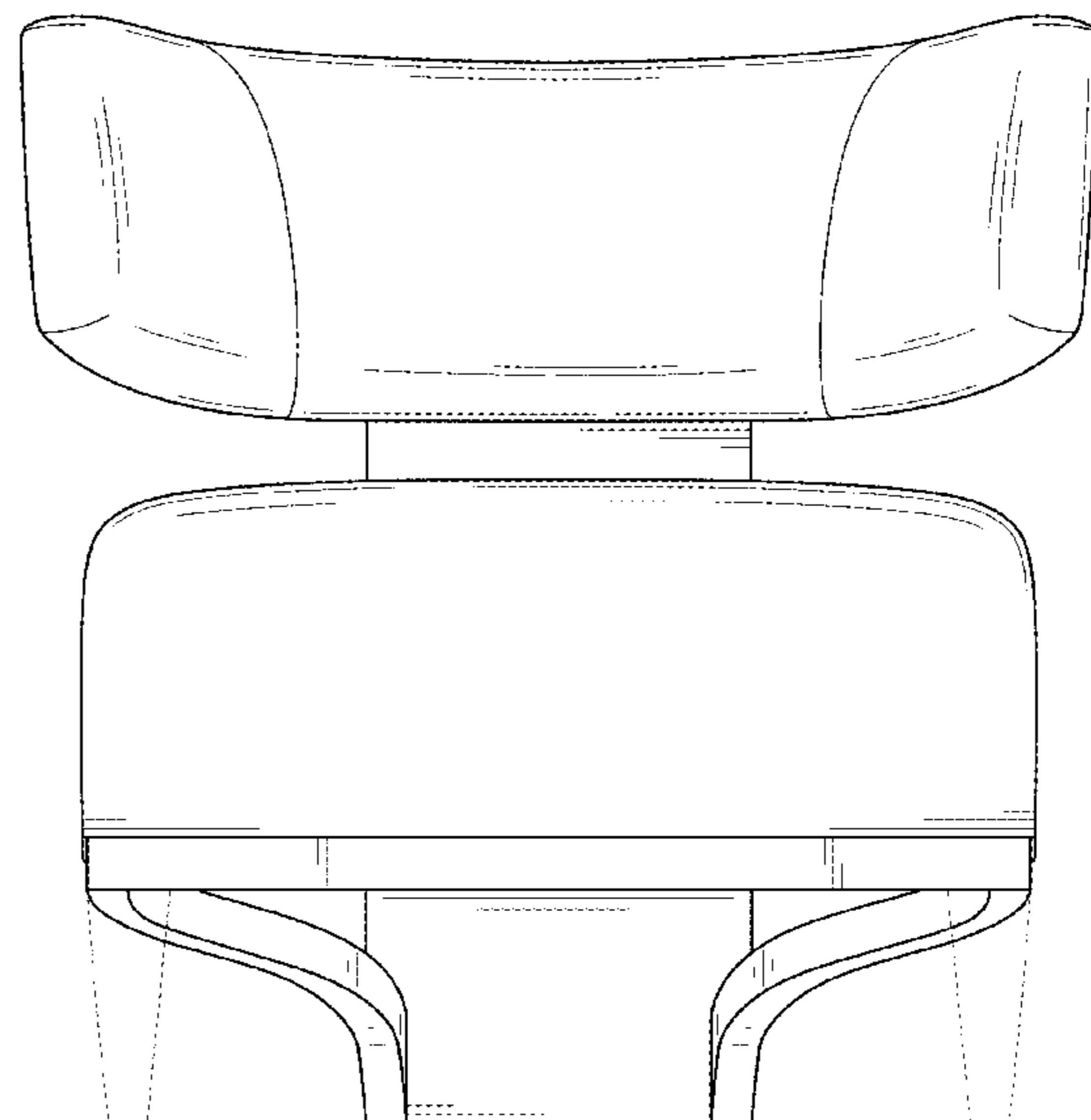
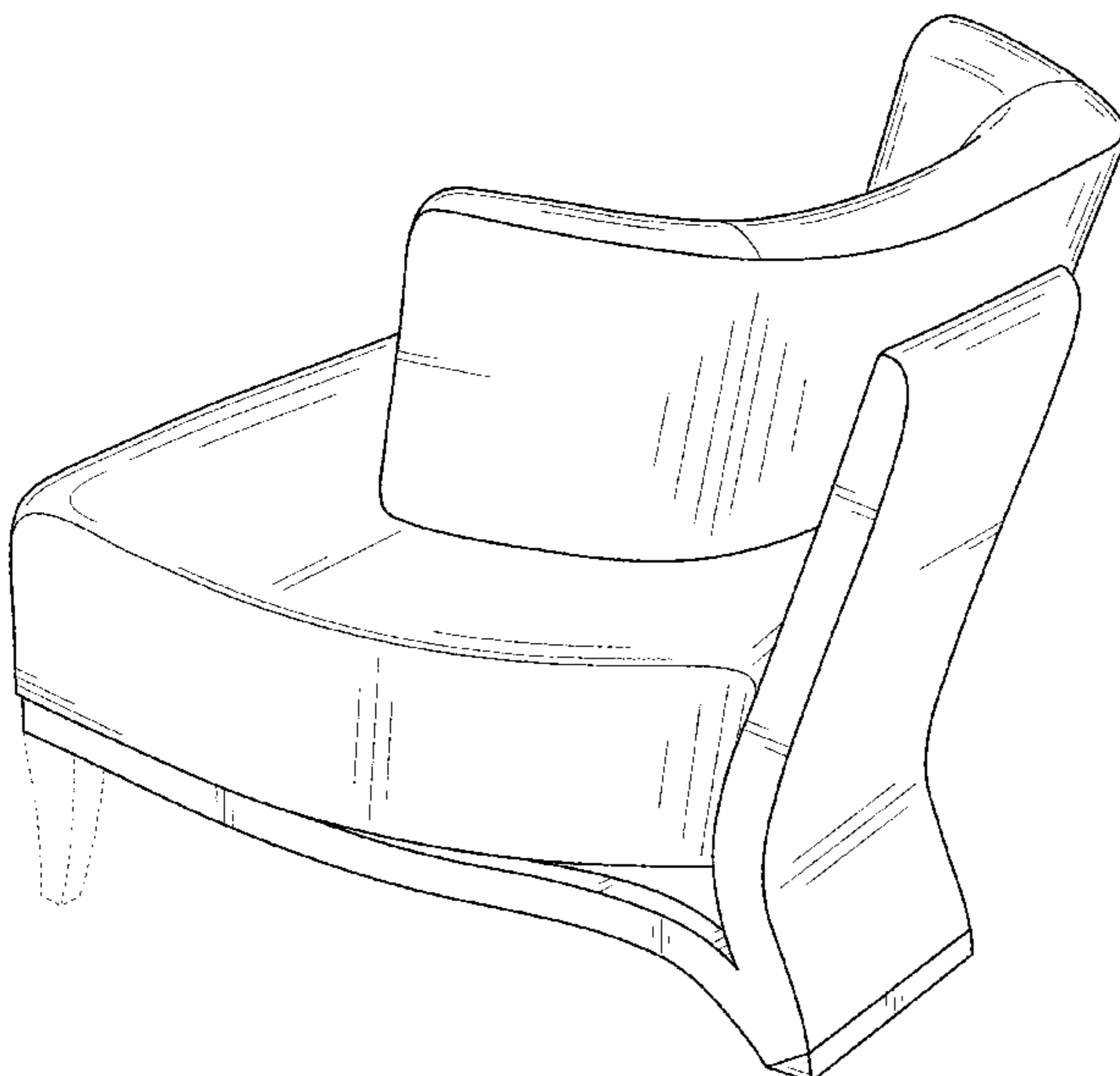
(57) **CLAIM**

The ornamental design for a lounge chair, as shown and described.

DESCRIPTION

FIG. 1 is a perspective view of the lounge chair of the present design;
FIG. 2 is a front elevation view thereof;
FIG. 3 is a rear elevation view thereof;
FIG. 4 is top plan view thereof;
FIG. 5 is a bottom plan view thereof; and,
FIG. 6 is a right side elevation view thereof; the left side elevation view being a mirror image thereof.
Portions of the lounge chair shown in broken lines form no part of the claimed design.

1 Claim, 6 Drawing Sheets



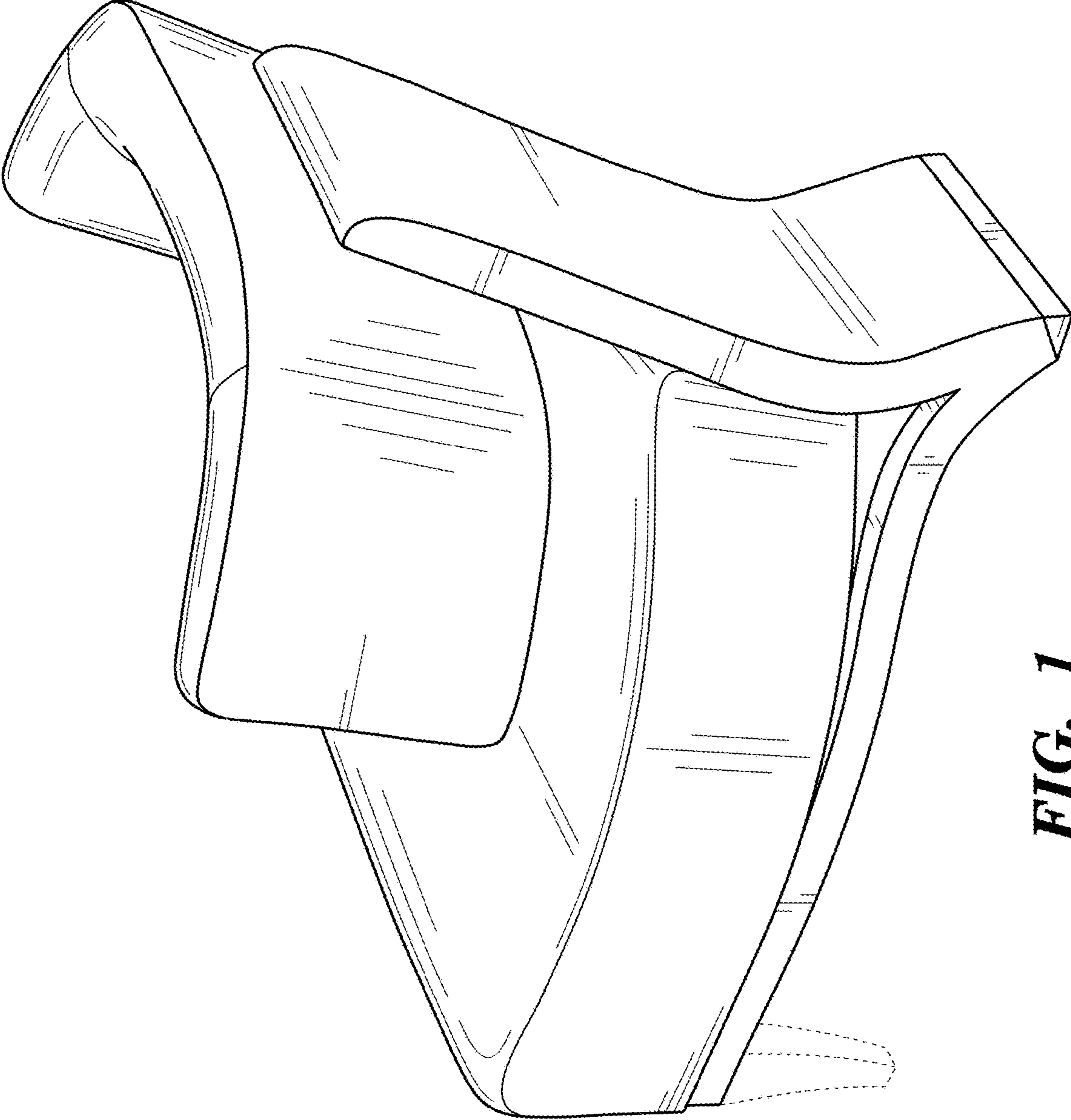


FIG. 1

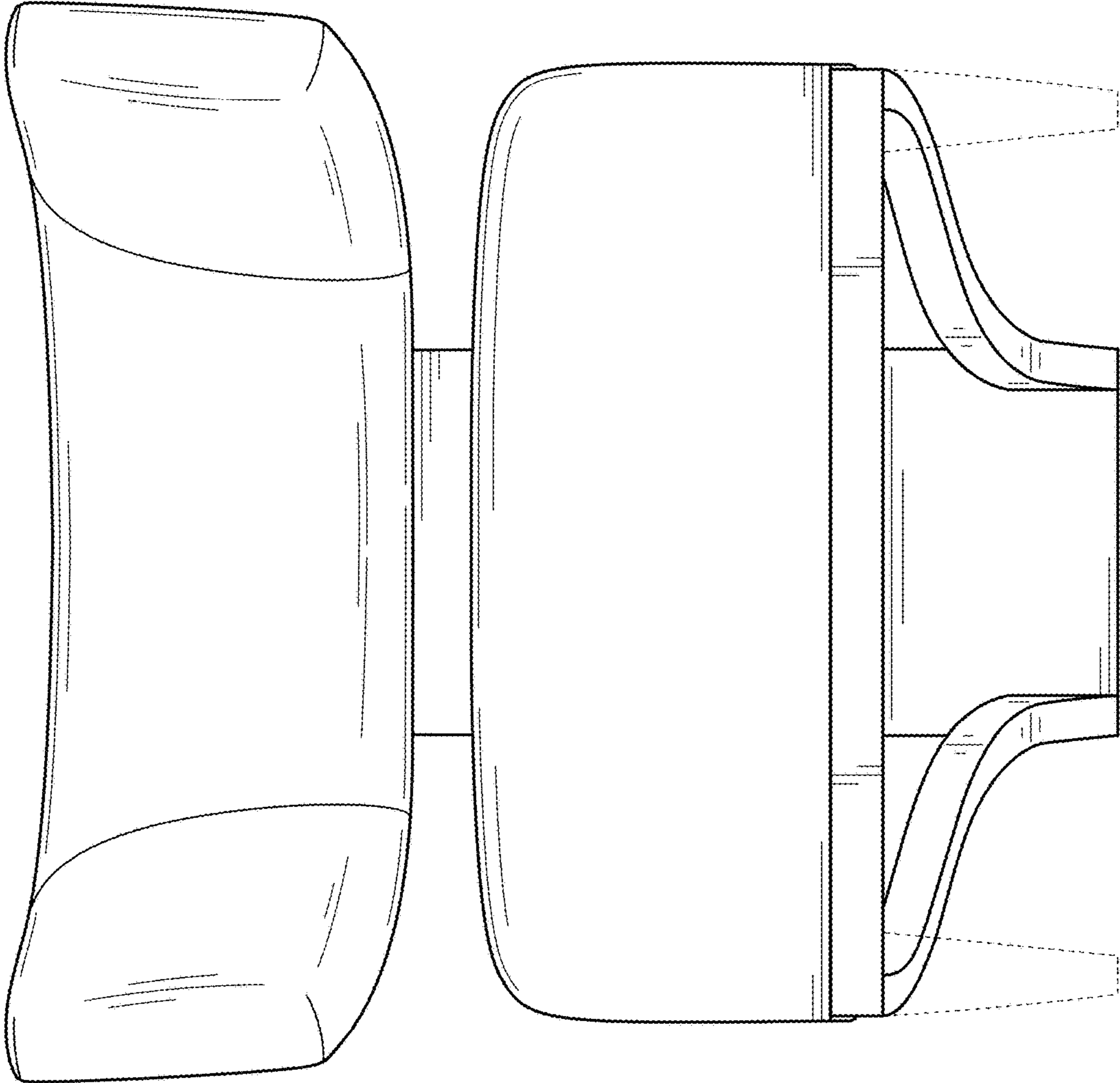


FIG. 2

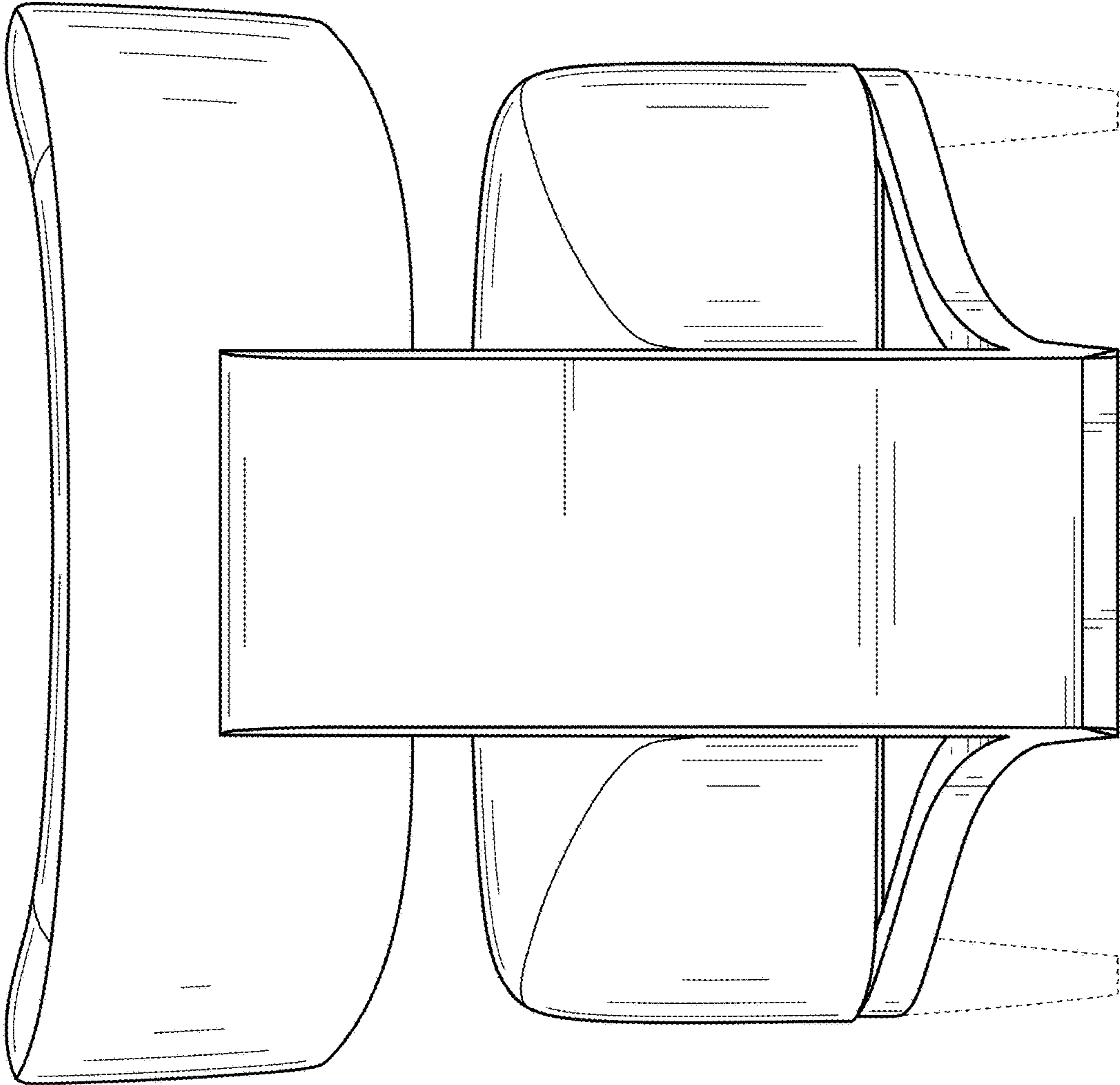


FIG. 3

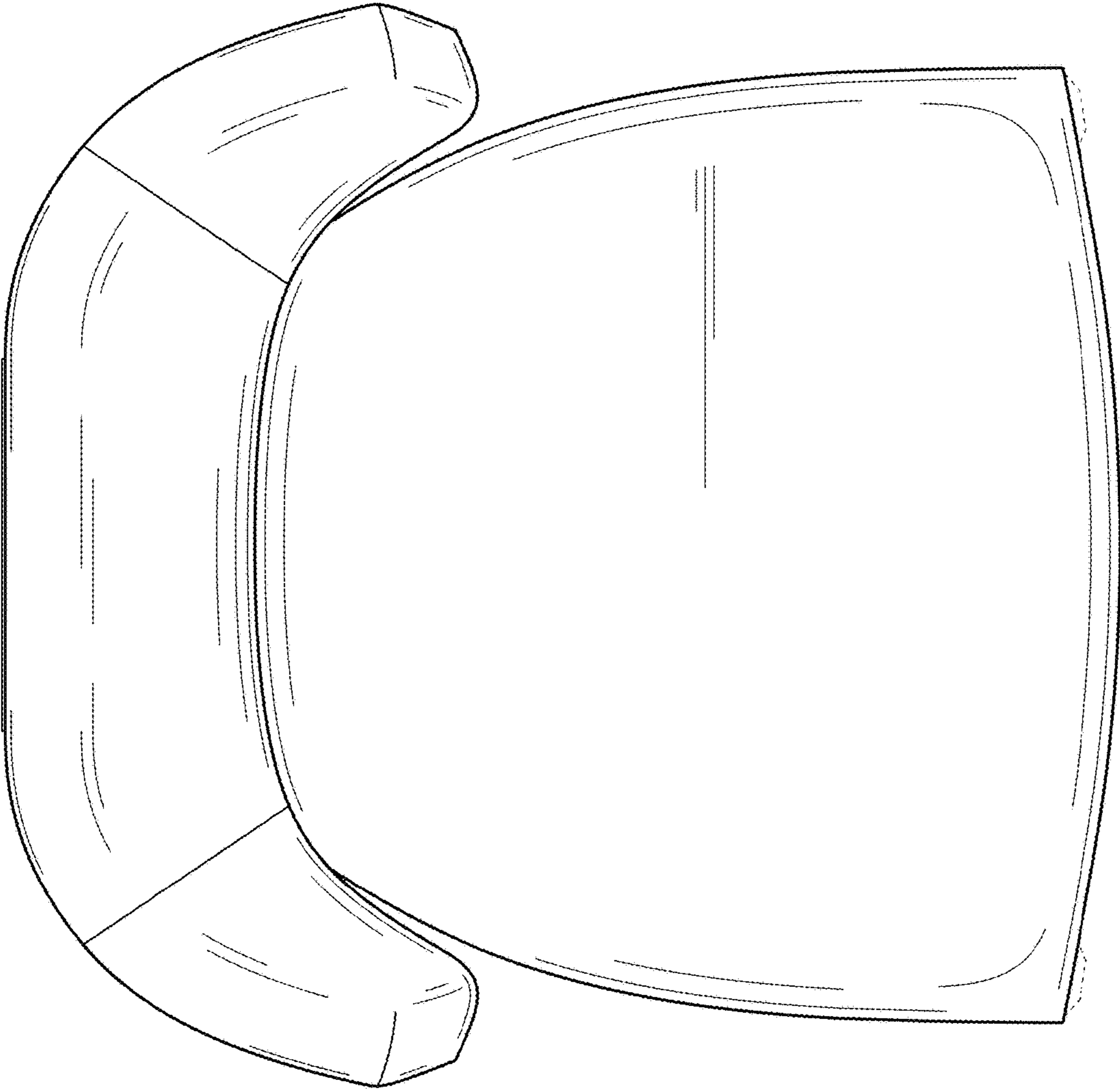


FIG. 4

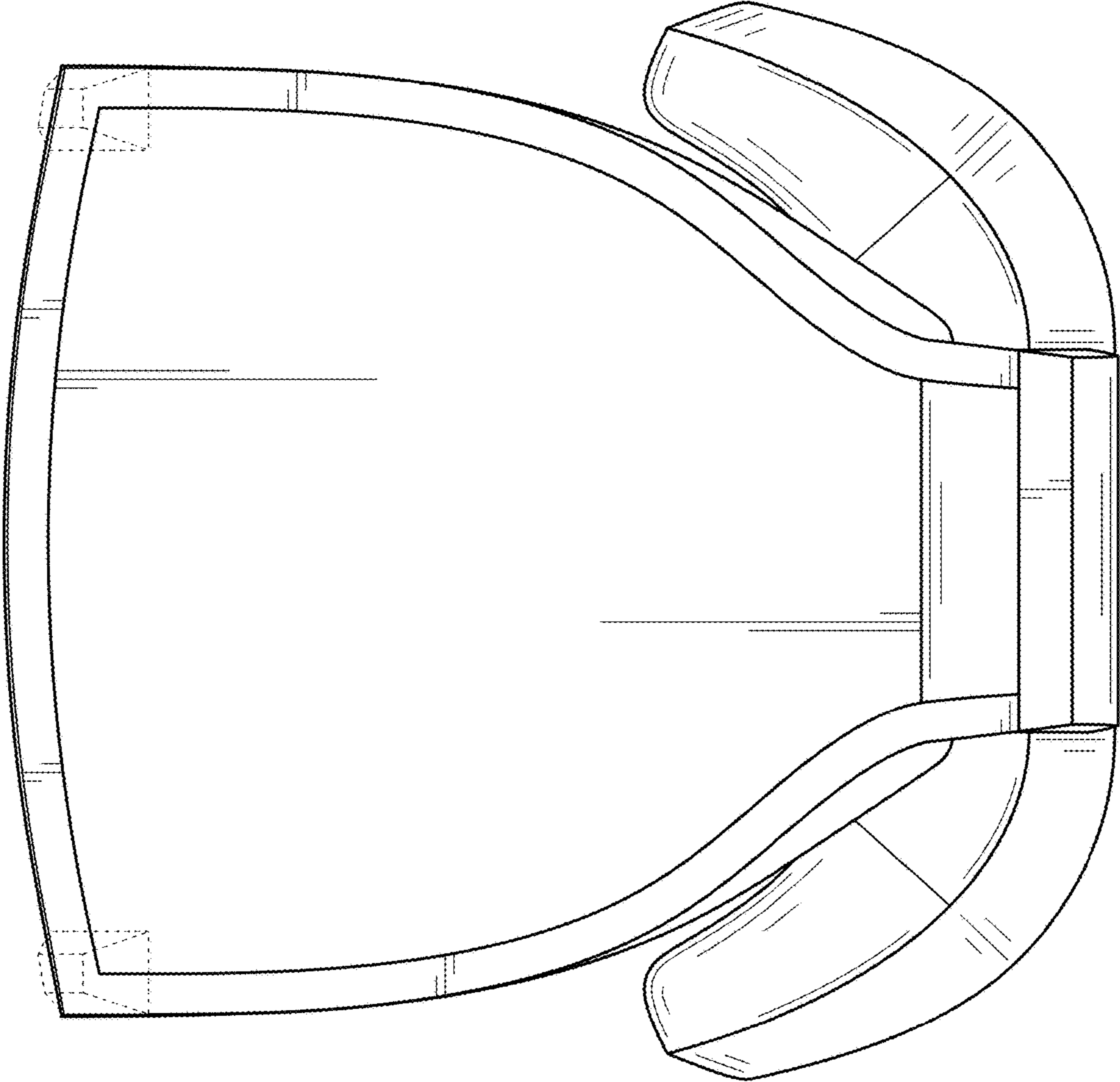


FIG. 5

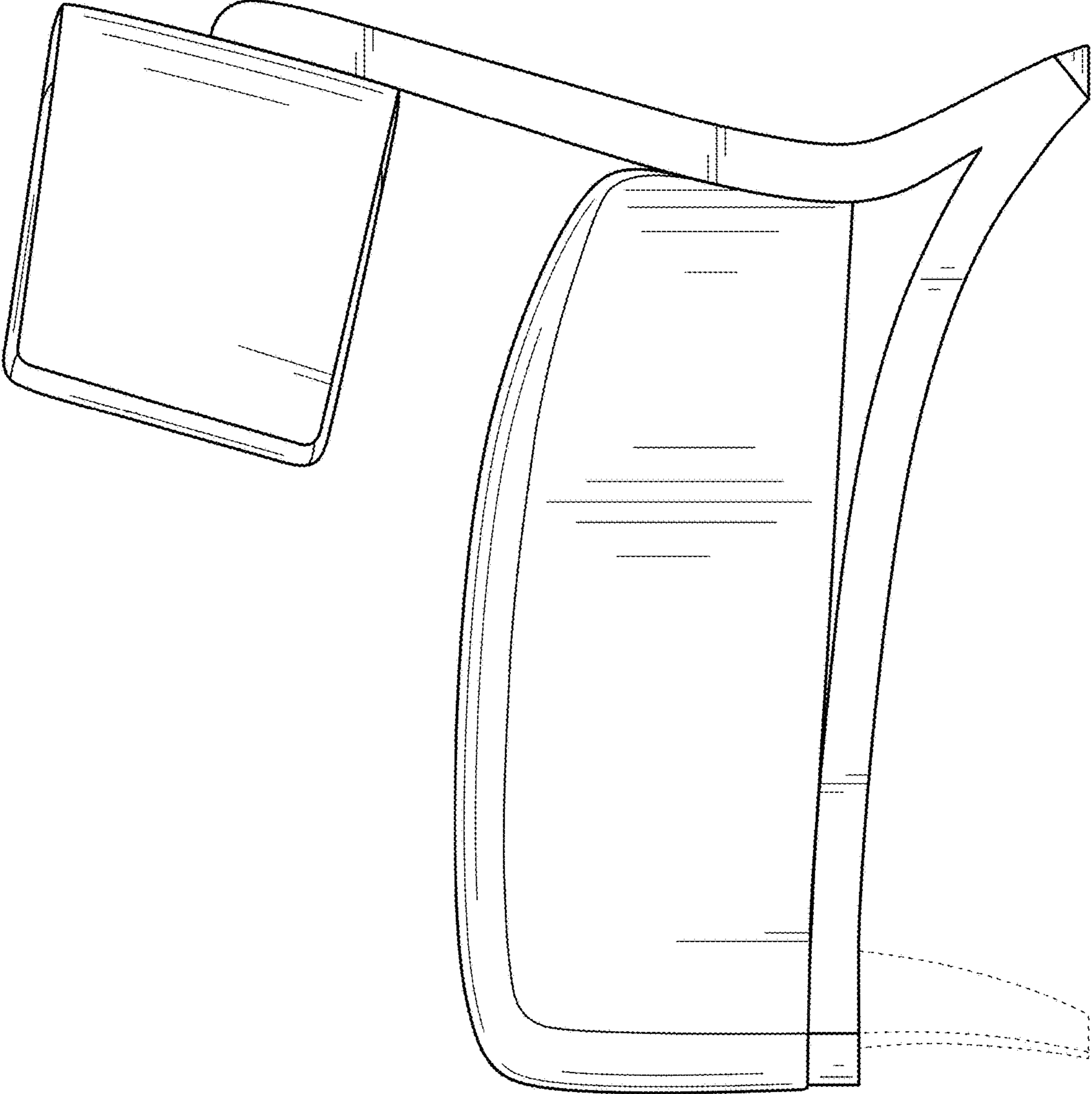


FIG. 6