



US00D817015S

(12) **United States Design Patent** (10) **Patent No.:** **US D817,015 S**
Jeffery et al. (45) **Date of Patent:** **** May 8, 2018**

(54) **CHAIR**

(71) Applicant: **Grand Rapids Chair Company**, Grand Rapids, MI (US)

(72) Inventors: **Dean Jeffery**, Grand Rapids, MI (US);
Timothy Stoepker, Grand Rapids, MI (US)

(73) Assignee: **Grand Rapids Chair Company**, Grand Rapids, MI (US)

(**) Term: **15 Years**

(21) Appl. No.: **29/606,480**

(22) Filed: **Jun. 5, 2017**

(51) **LOC (11) Cl.** **06-01**

(52) **U.S. Cl.**
USPC **D6/370; D6/360**

(58) **Field of Classification Search**
USPC D6/334-336, 360, 370, 371, 373, 374,
D6/376, 379, 380, 716, 716.1, 716.2,
D6/716.3, 716.4
CPC A47C 3/04; A47C 4/02; A47C 4/03; A47C
4/08; A47C 4/024; A47C 4/028; A47C
7/16; A47C 7/50; A47C 9/007
See application file for complete search history.

(56) **References Cited**

U.S. PATENT DOCUMENTS

749,709 A 1/1904 Stockwell
D102,030 S * 11/1936 Hoffmann D6/370
D103,408 S * 3/1937 Reischmann D6/370
D193,657 S 9/1962 Van Buren
D197,643 S 3/1964 Kramer

(Continued)

OTHER PUBLICATIONS

Commonly assigned U.S. Appl. No. 29/595,795, filed Mar. 2, 2017,
entitled Chair.

Primary Examiner — Mimosa De

(74) *Attorney, Agent, or Firm* — Gardner, Linn, Burkhardt
& Ondersma, LLP

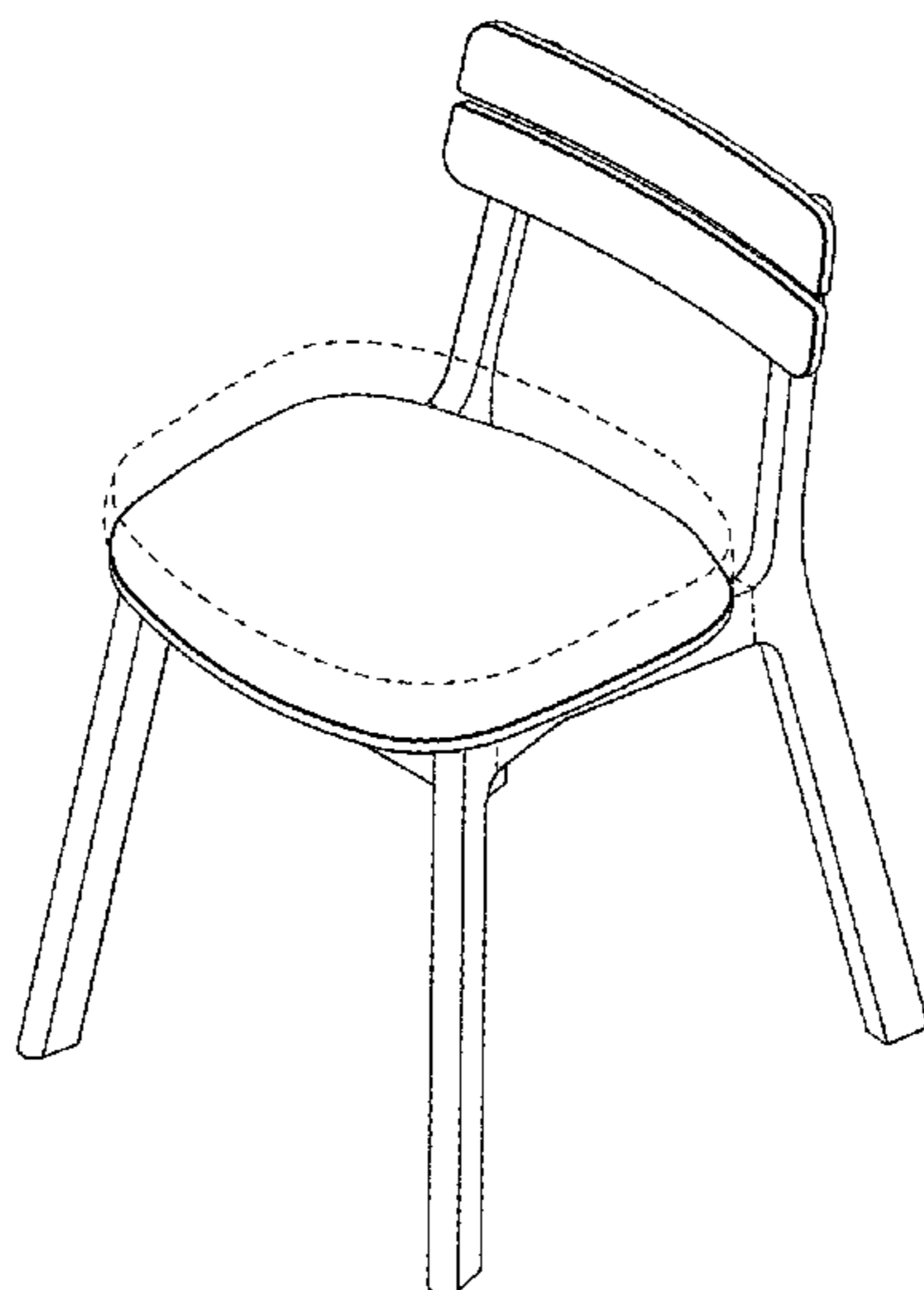
(57) **CLAIM**

The ornamental design for chair, substantially as shown and
described.

DESCRIPTION

FIG. 1 is a perspective view of a chair according to a first
embodiment of the present invention;
FIG. 2 is a front elevation view of the chair in FIG. 1;
FIG. 3 is a right-side elevation view of the chair in FIG. 1;
FIG. 4 is a rear elevation view of the chair in FIG. 1;
FIG. 5 is a left-side elevation view of the chair in FIG. 1;
FIG. 6 is a top plan view of the chair in FIG. 1;
FIG. 7 is a bottom plan view of the chair in FIG. 1;
FIG. 8 is a perspective view of a chair according to a second
embodiment of the present invention;
FIG. 9 is a front elevation view of the chair in FIG. 8;
FIG. 10 is a right-side elevation view of the chair in FIG. 8;
FIG. 11 is a rear elevation view of the chair in FIG. 8;
FIG. 12 is a left-side elevation view of the chair in FIG. 8;
FIG. 13 is a top plan view of the chair in FIG. 8;
FIG. 14 is a bottom plan view of the chair in FIG. 8;
FIG. 15 is a perspective view of a chair according to a third
embodiment of the present invention;
FIG. 16 is a front elevation view of the chair in FIG. 15;
FIG. 17 is a right-side elevation view of the chair in FIG. 15;
FIG. 18 is a rear elevation view of the chair in FIG. 15;
FIG. 19 is a left-side elevation view of the chair in FIG. 15;
FIG. 20 is a top plan view of the chair in FIG. 15; and,
FIG. 21 is a bottom plan view of the chair in FIG. 15.
The broken lines shown in the drawings represent bound-
aries of the claimed design and form no part thereof.

1 Claim, 12 Drawing Sheets



(56)

References Cited

U.S. PATENT DOCUMENTS

D202,549 S	10/1965	Kramer		D572,049 S	7/2008	Kerr	
D202,550 S	10/1965	Kramer		D572,928 S	7/2008	Rittfeldt et al.	
D223,244 S	4/1972	Prashker		D582,692 S	12/2008	Kerr	
D239,988 S	5/1976	Dittert		D588,826 S *	3/2009	Ricchio	D6/360
D240,780 S	8/1976	Dittert		D597,757 S	8/2009	Barbieri	
4,032,190 A	6/1977	Mueller-Deisig et al.		D597,758 S	8/2009	Barrett et al.	
D255,183 S	6/1980	Locher		D609,036 S	2/2010	Miller et al.	
D255,293 S	6/1980	Locher		D611,740 S	3/2010	Koh	
D259,078 S *	5/1981	Deconinck	D6/370	D643,652 S	8/2011	Piretti	
D268,799 S	5/1983	Feldberg		D644,849 S	9/2011	Sienkowski et al.	
D272,393 S	1/1984	Klier		D646,087 S	10/2011	Miller et al.	
D279,155 S	6/1985	Aronowitz et al.		D648,566 S	11/2011	Sienkowski et al.	
D307,221 S	4/1990	Mudge		8,112,868 B2	2/2012	Miller	
D339,940 S	10/1993	Balderi et al.		D659,424 S	5/2012	Gramza et al.	
D346,911 S	5/1994	Lucci et al.		D659,444 S	5/2012	James	
D357,592 S *	4/1995	Kellen	D6/360	D663,131 S	7/2012	Barefoot et al.	
D372,132 S	7/1996	Infanti		D665,188 S *	8/2012	Schweikarth	D6/379
D375,848 S	11/1996	Grosfillex		D672,975 S	12/2012	Rashid	
D381,828 S	8/1997	Kemnitzer		D683,558 S	6/2013	Rada et al.	
D385,119 S	10/1997	Chipman		D686,836 S	7/2013	Mascetti et al.	
D396,759 S *	8/1998	Duenkelsbuehler	D6/370	D701,719 S	4/2014	Haase et al.	
D422,806 S	4/2000	Neil		D707,461 S	6/2014	Rada et al.	
D512,236 S	12/2005	Preisig		D723,826 S	3/2015	Kaloustian et al.	
D512,238 S	12/2005	Chen		D726,434 S	4/2015	Ye	
D513,889 S	1/2006	Peterson et al.		D737,618 S	9/2015	Kaloustian et al.	
D524,071 S	7/2006	Brooks		D741,618 S	10/2015	Haase et al.	
7,118,175 B2 *	10/2006	Crue	A47C 3/04 297/239	D747,611 S	1/2016	Haase et al.	
D531,420 S	11/2006	Kita		9,301,612 B2	4/2016	Kaloustian et al.	
D544,228 S	6/2007	Bartlmae		D779,219 S	2/2017	Miller	
D559,570 S	1/2008	Higgs et al.		D784,036 S	4/2017	Ruiter et al.	
D566,979 S	4/2008	Cox et al.		D798,075 S *	9/2017	Foley	D6/360
				D799,848 S *	10/2017	Morrison	D6/380
				2009/0212607 A1	8/2009	Kaloustian et al.	
				2011/0278889 A1	11/2011	Sienkowski et al.	
				2014/0361593 A1	12/2014	Kaloustian et al.	

* cited by examiner

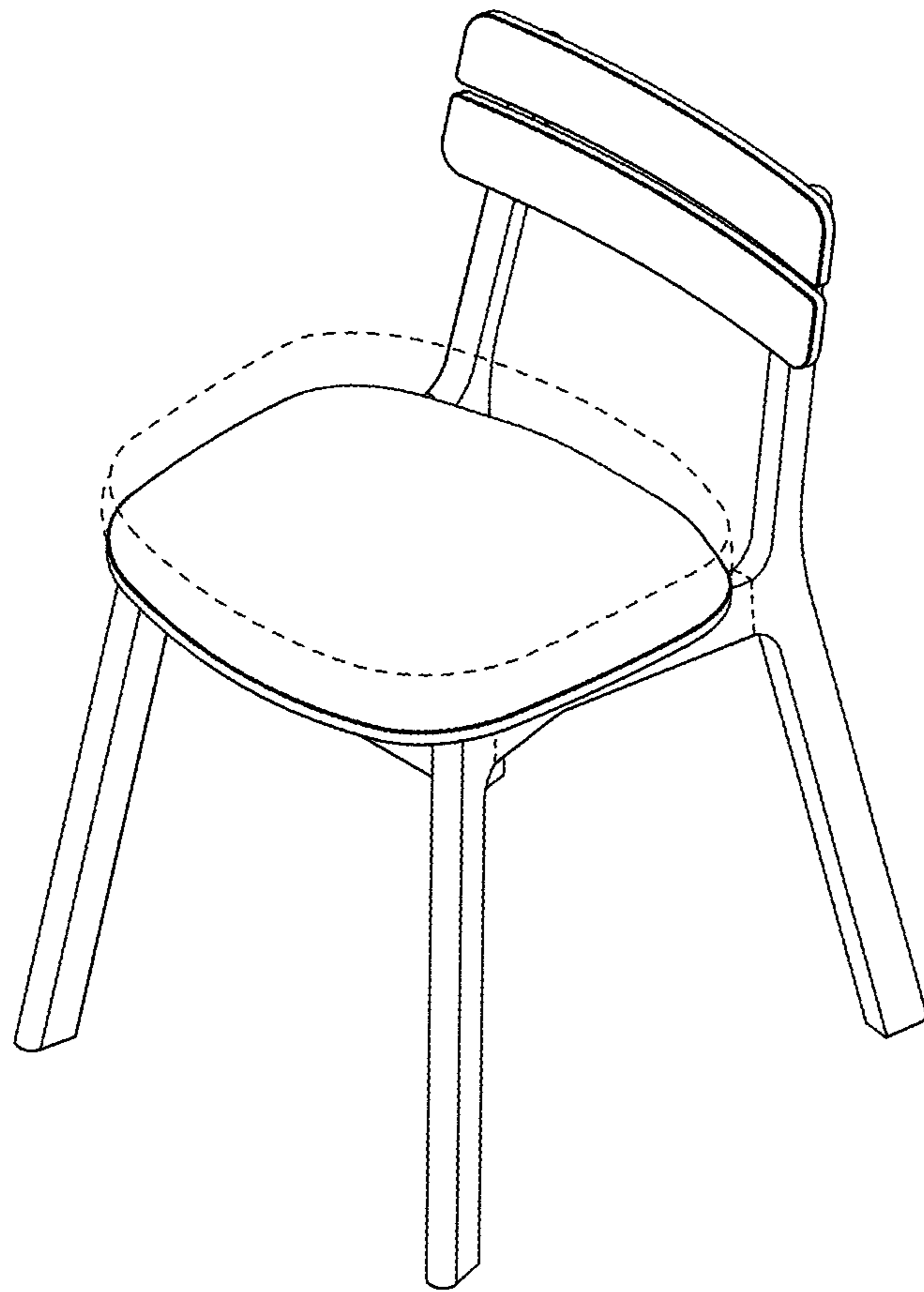


FIG. 1

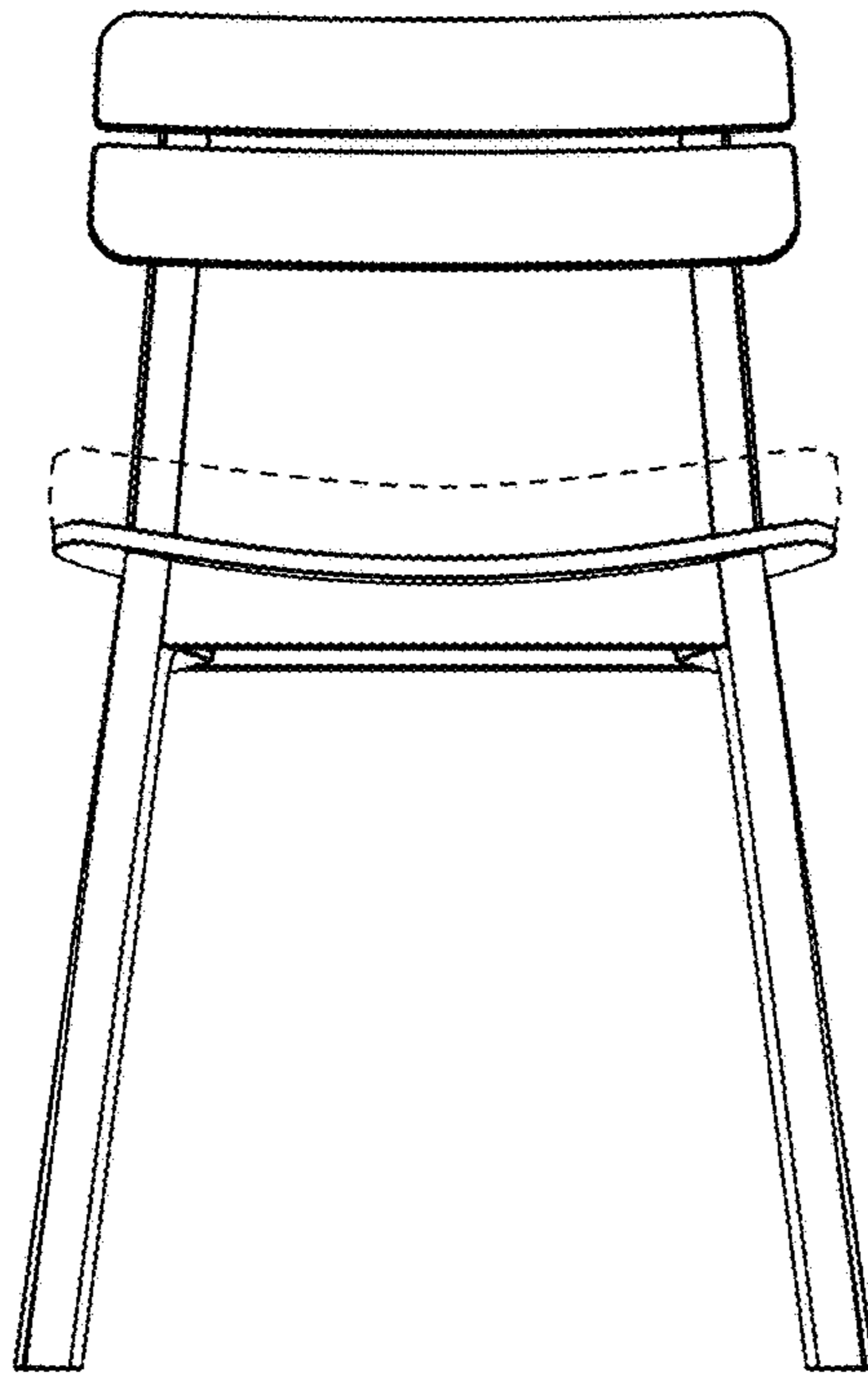


FIG. 2

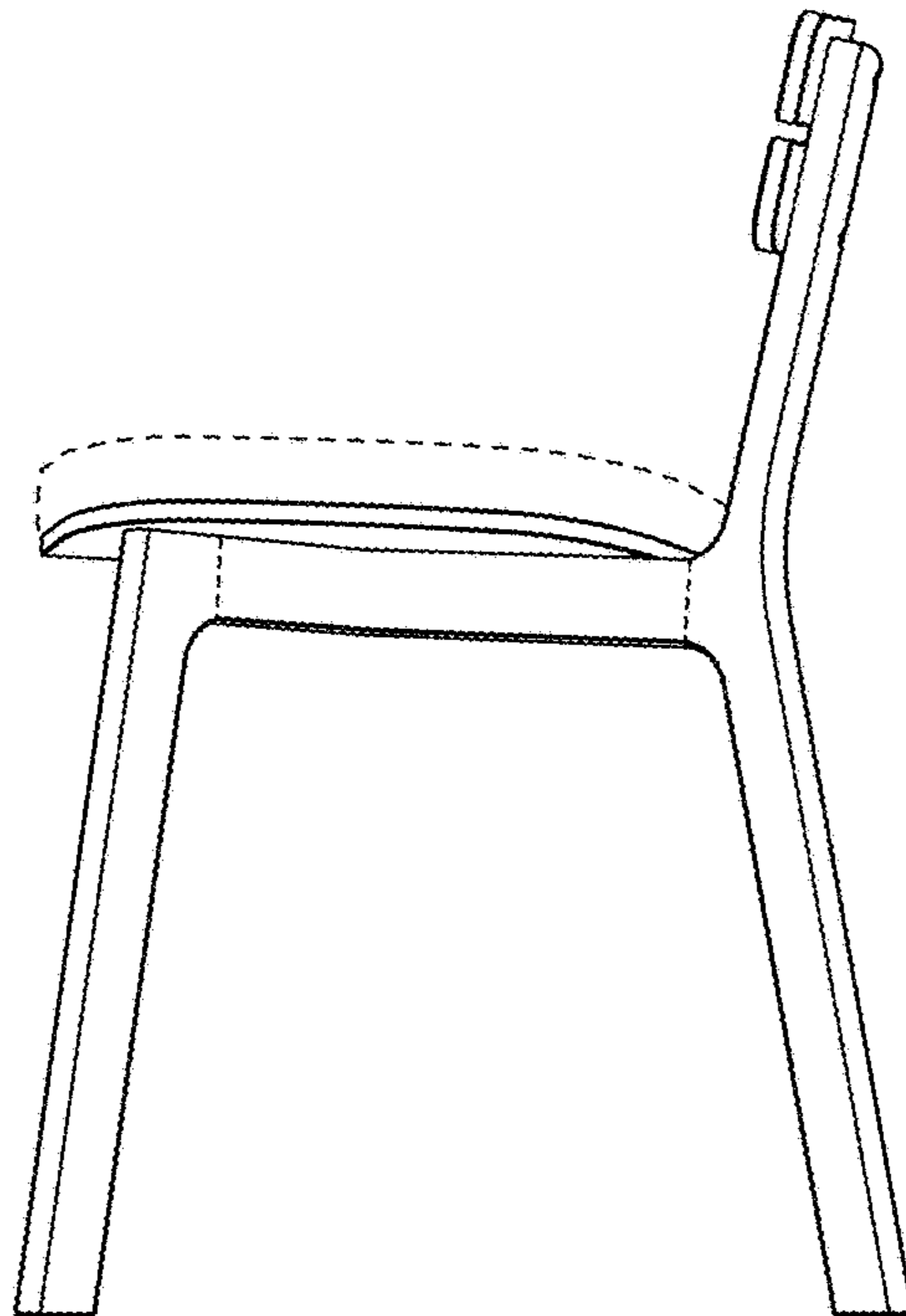


FIG. 3

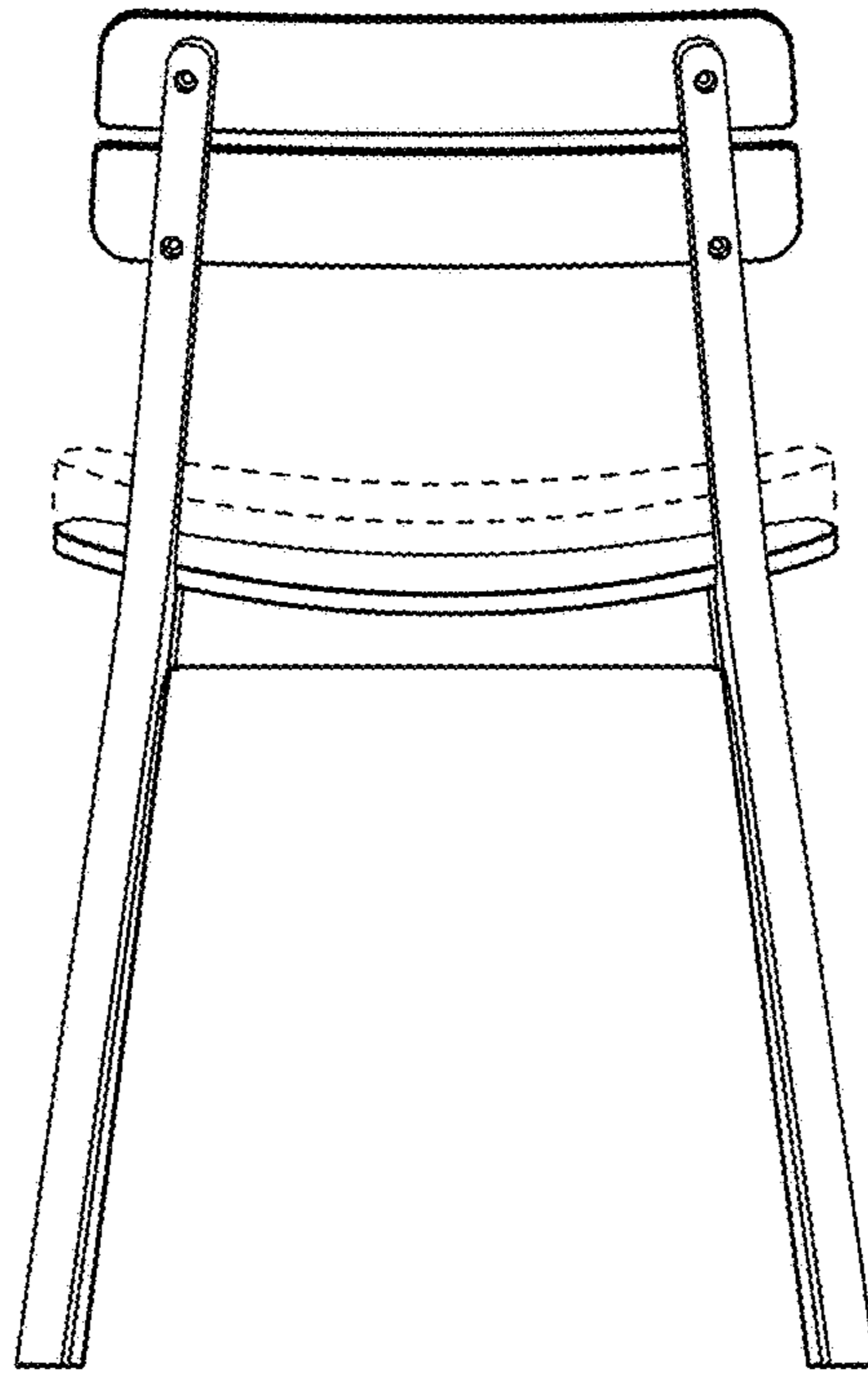


FIG. 4

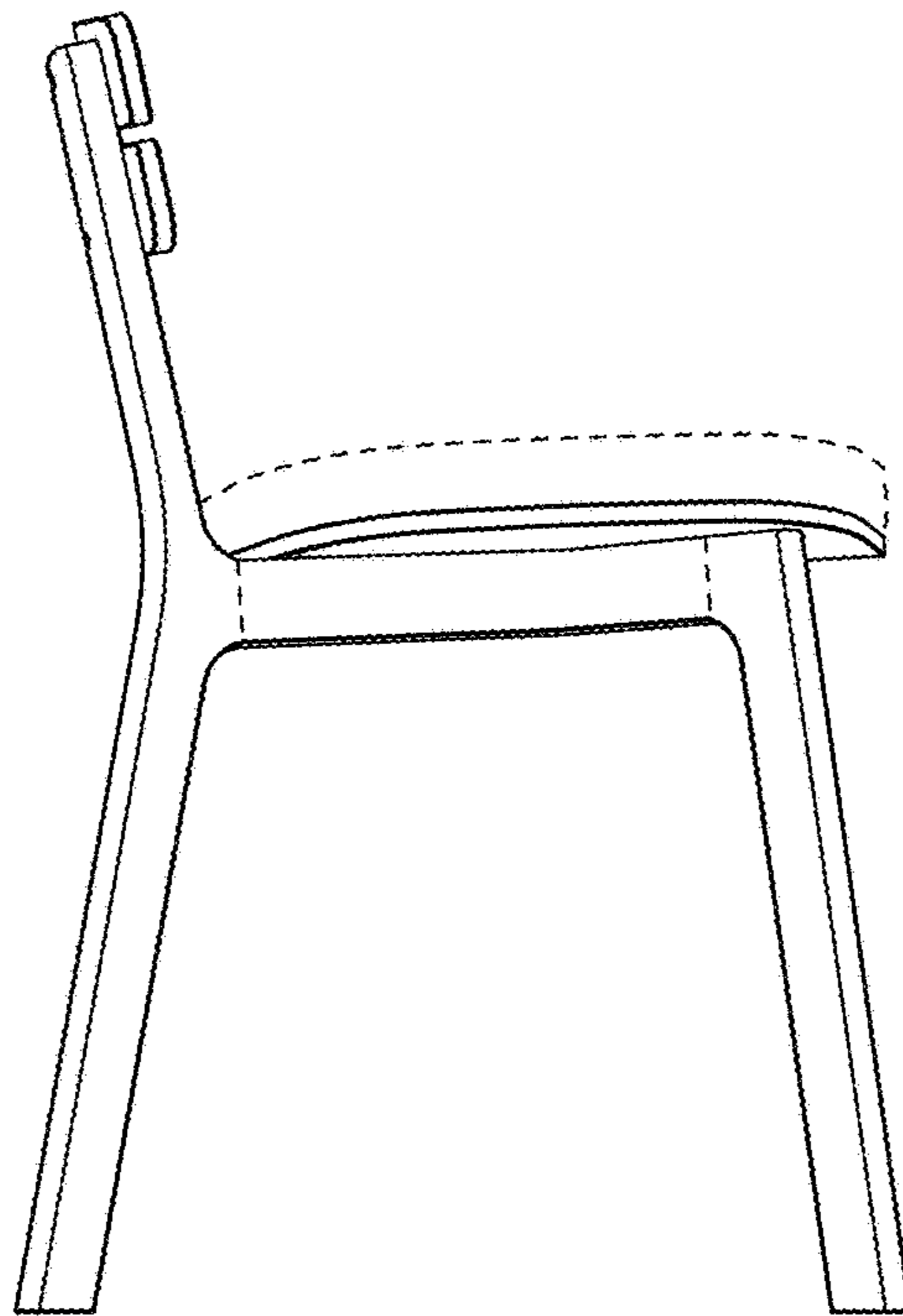


FIG. 5

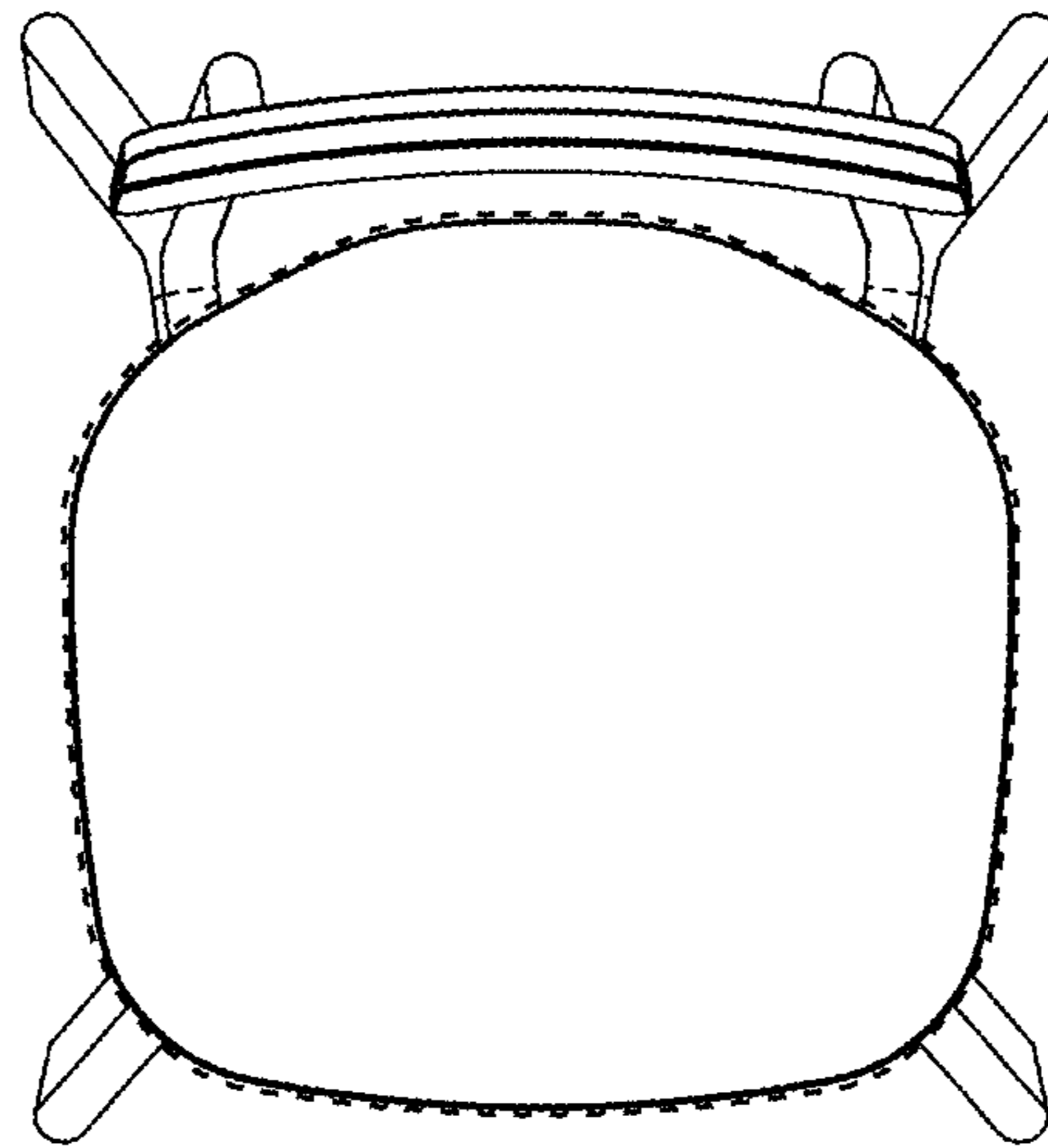


FIG. 6

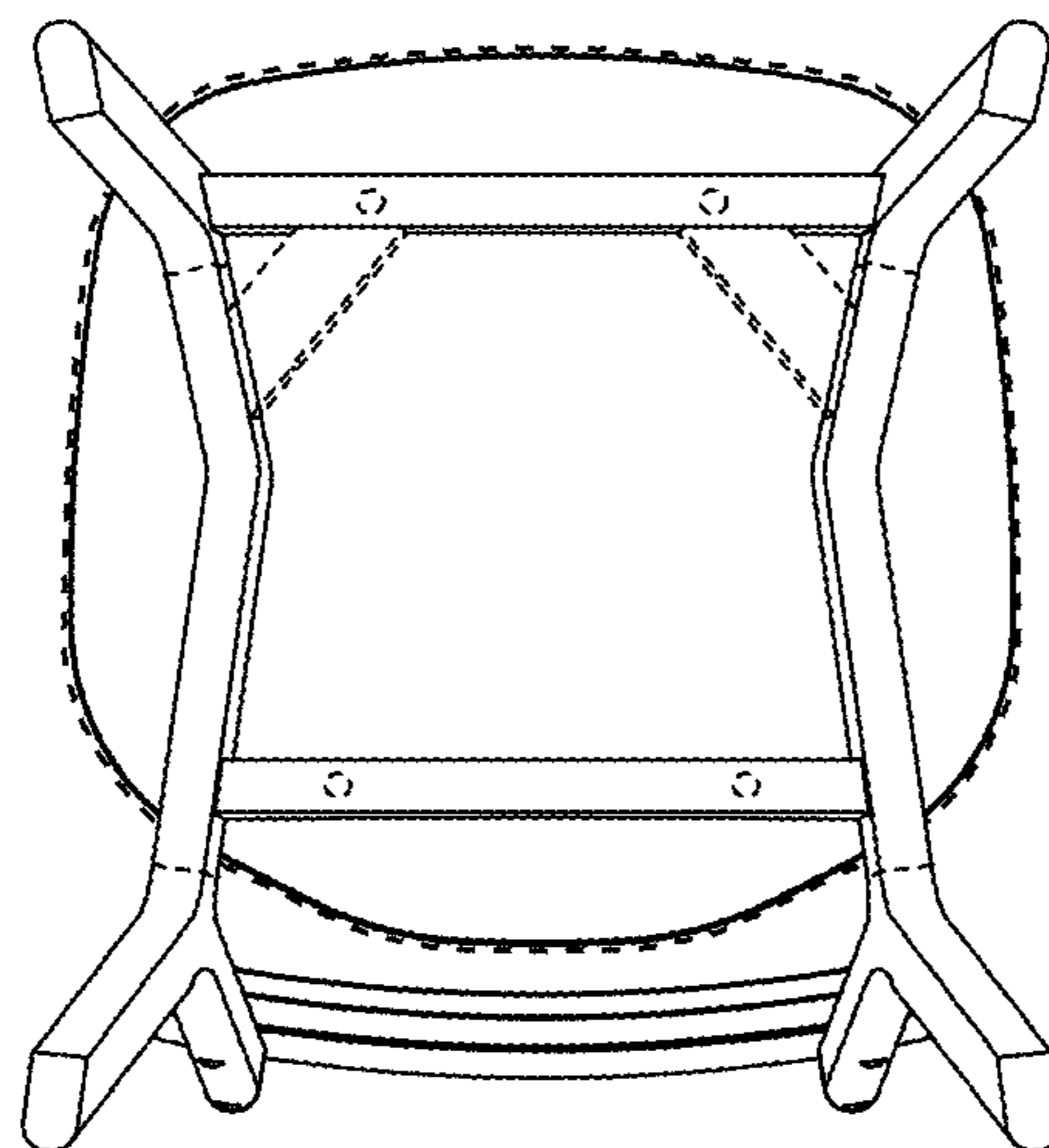


FIG. 7

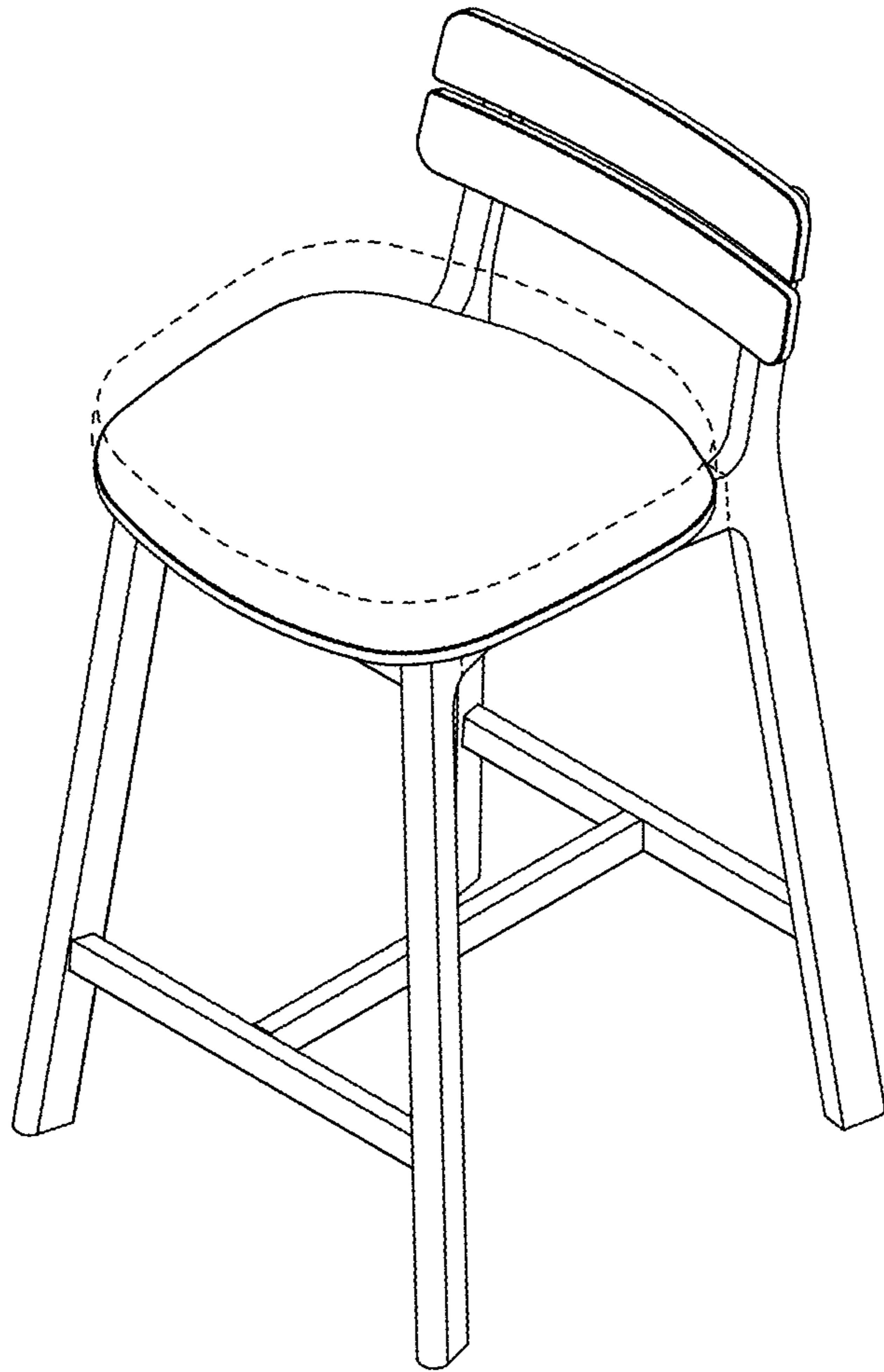


FIG. 8

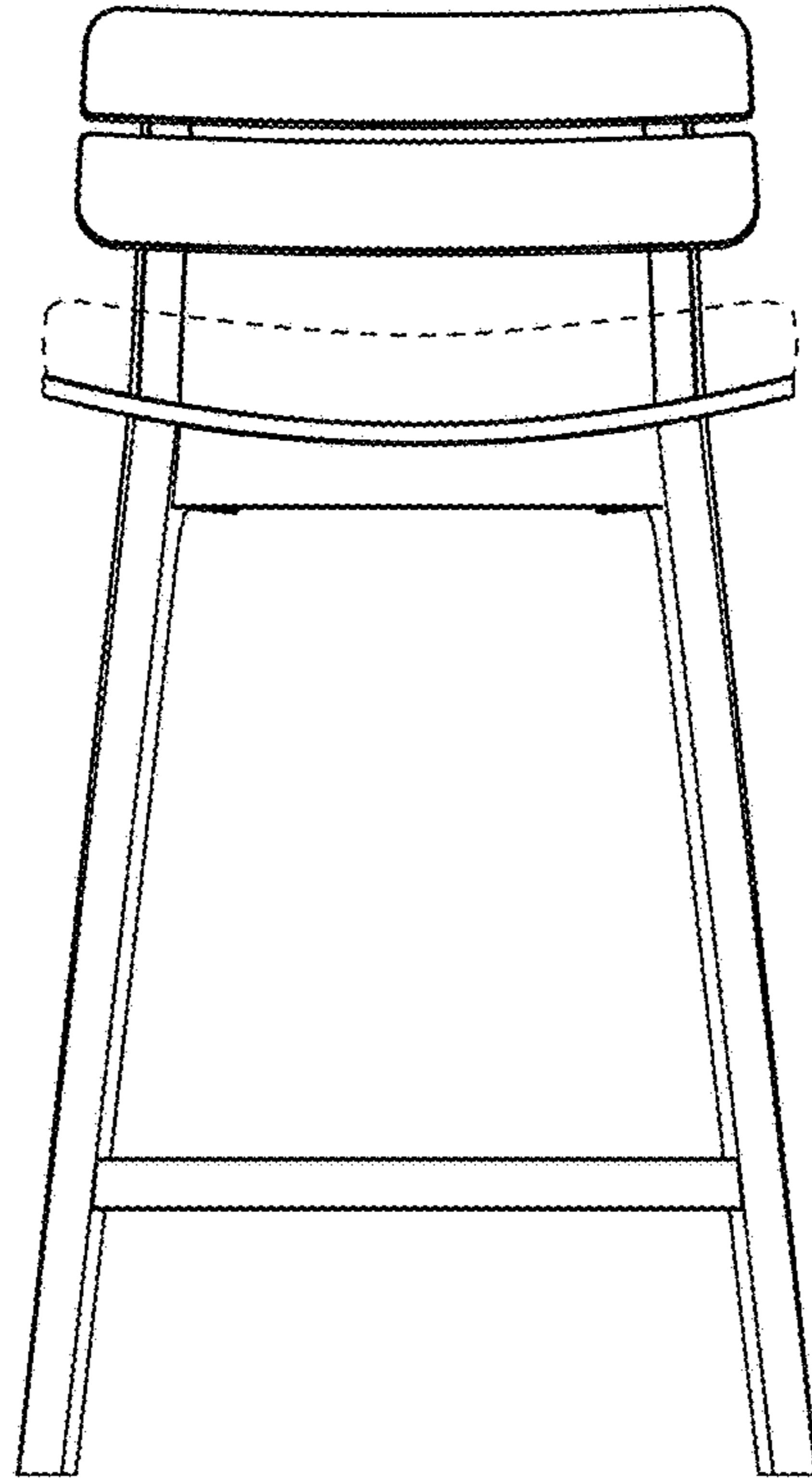


FIG. 9

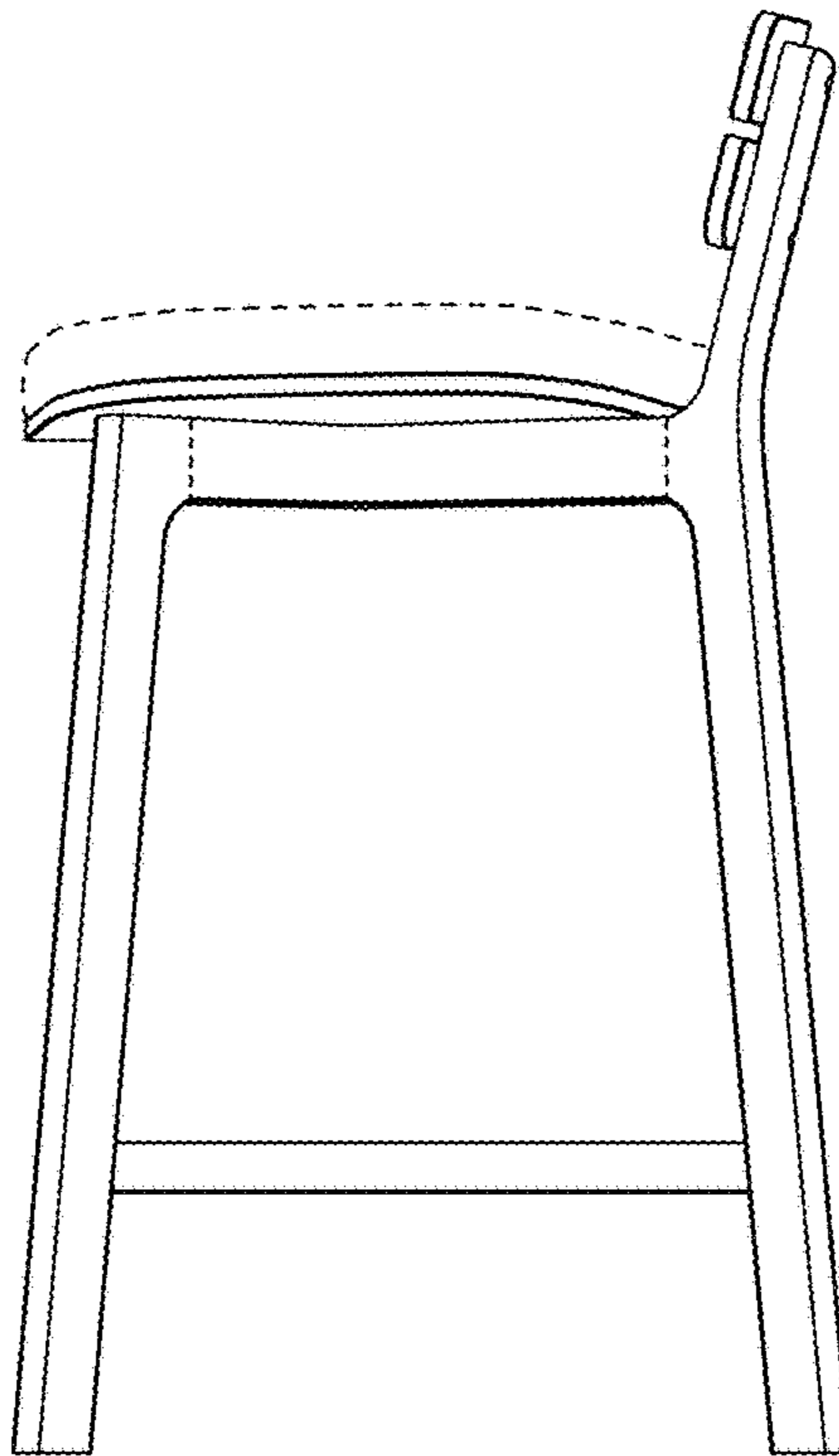


FIG. 10

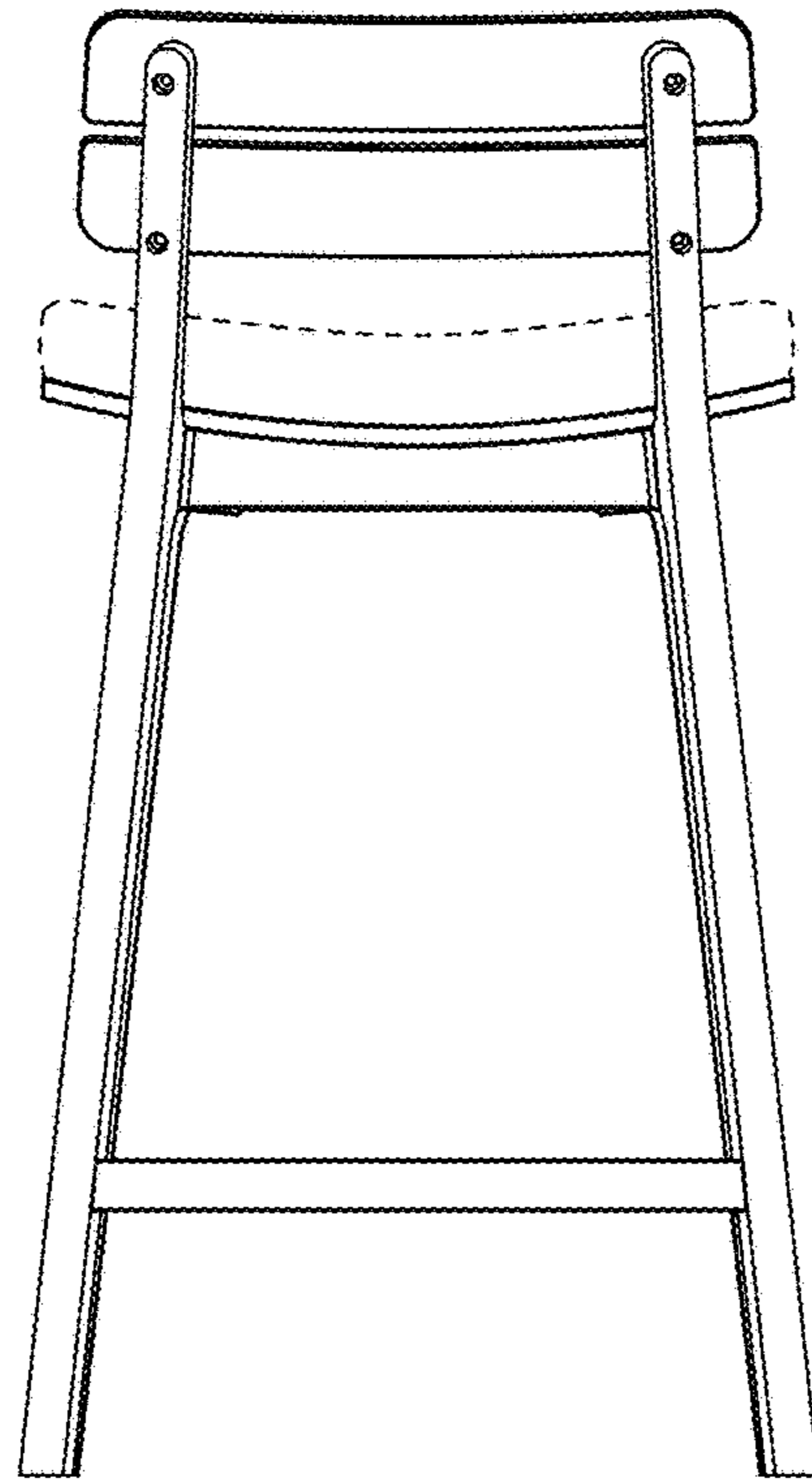


FIG. 11

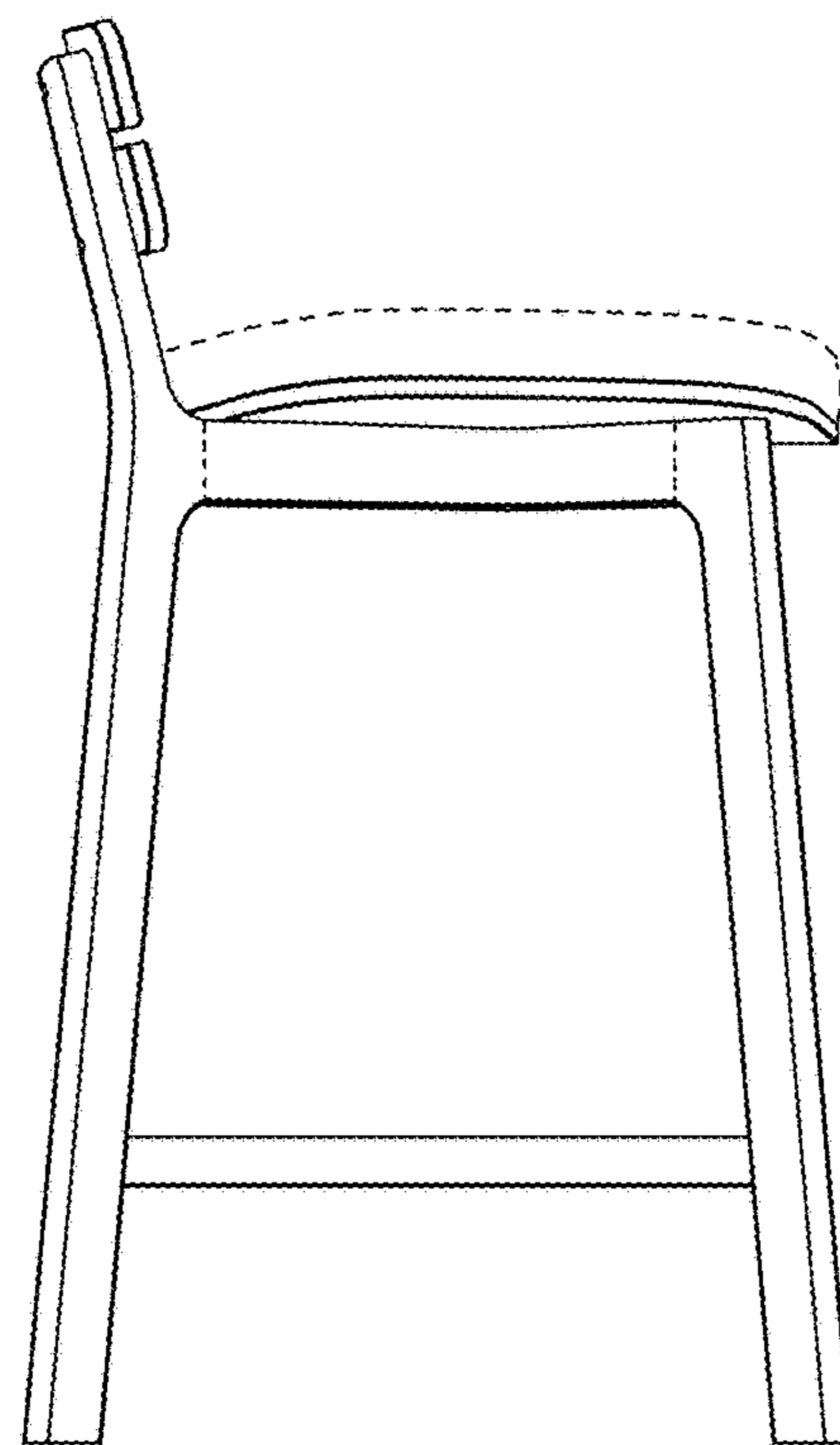


FIG. 12

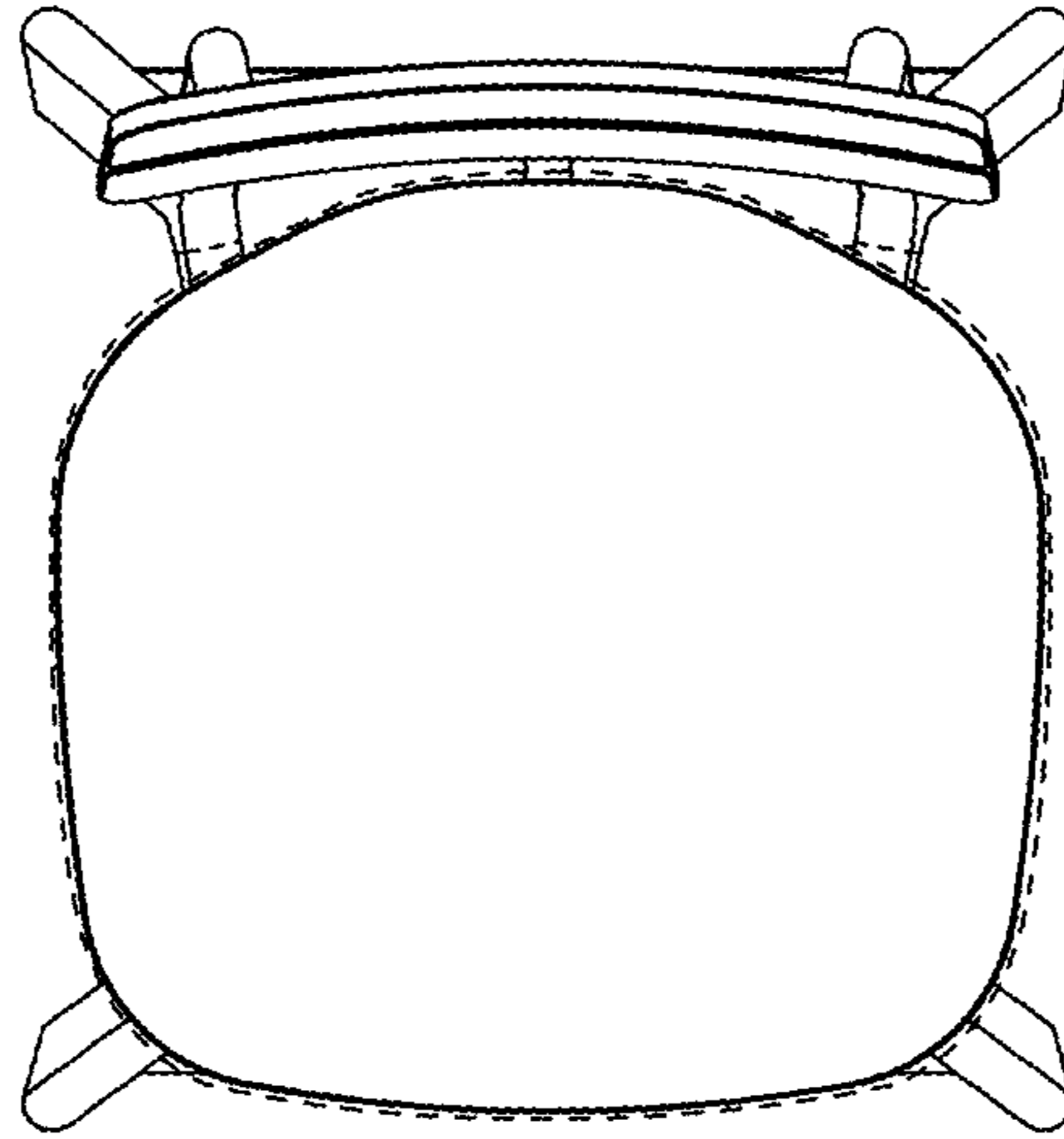


FIG. 13

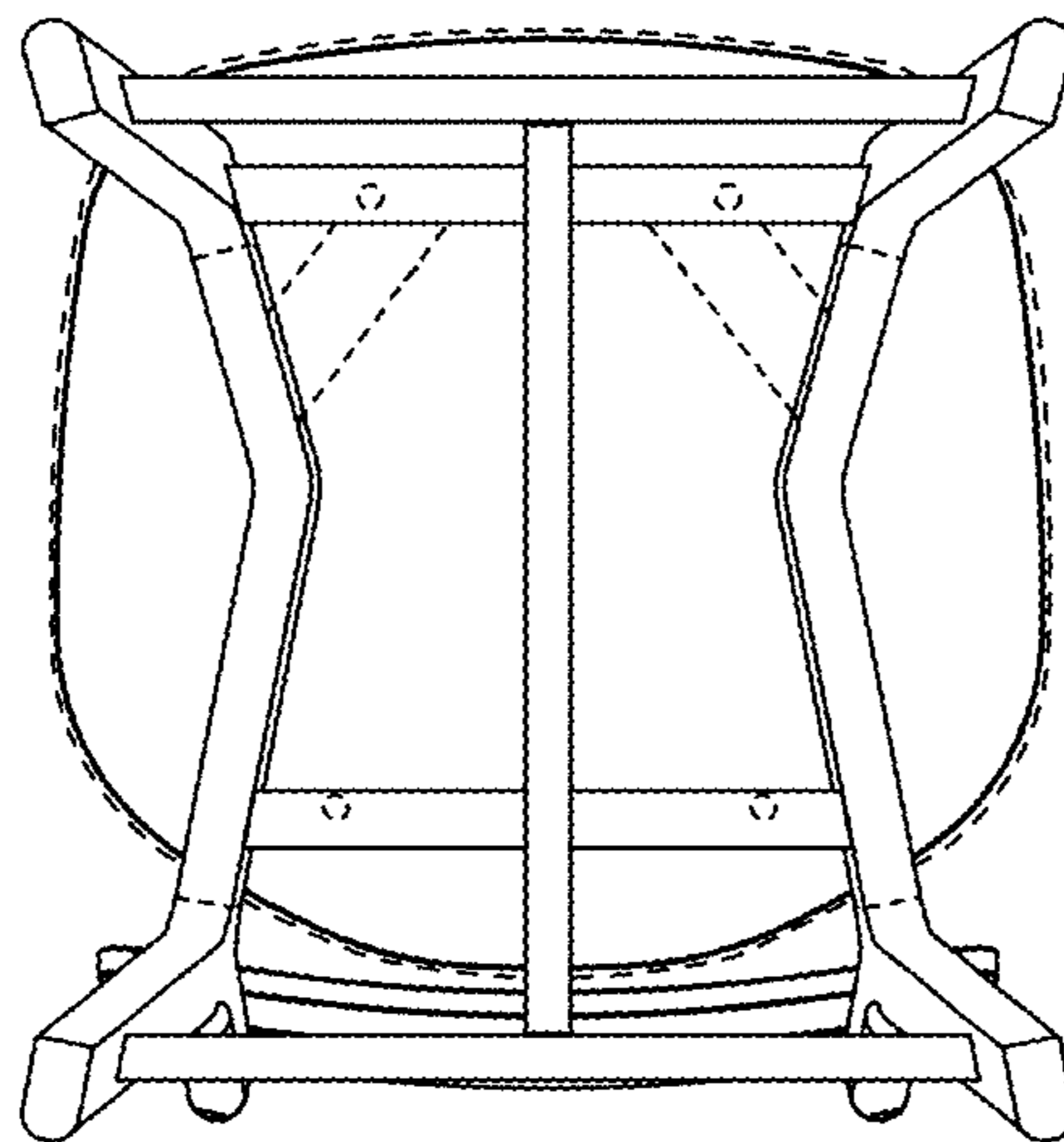


FIG. 14

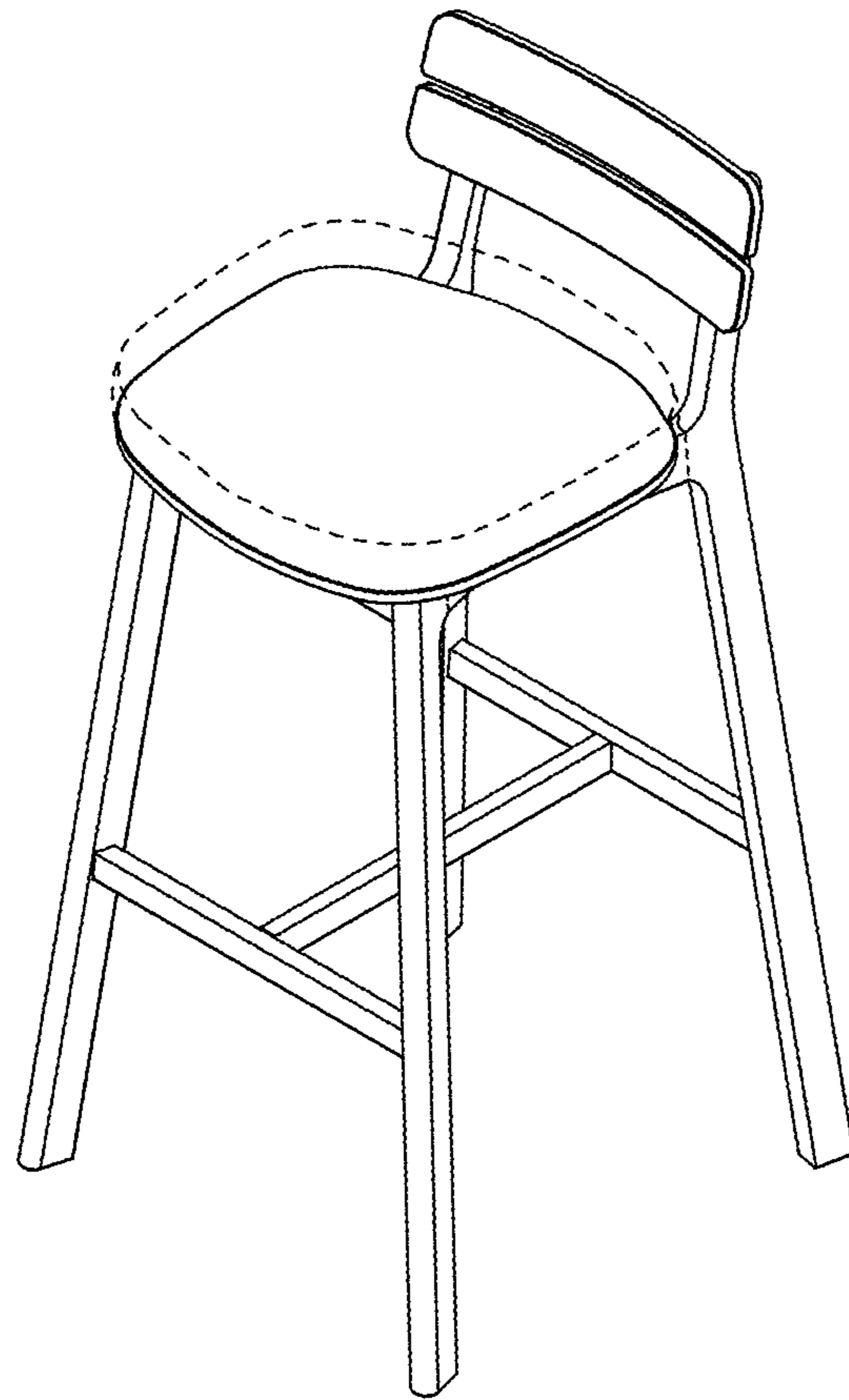


FIG. 15

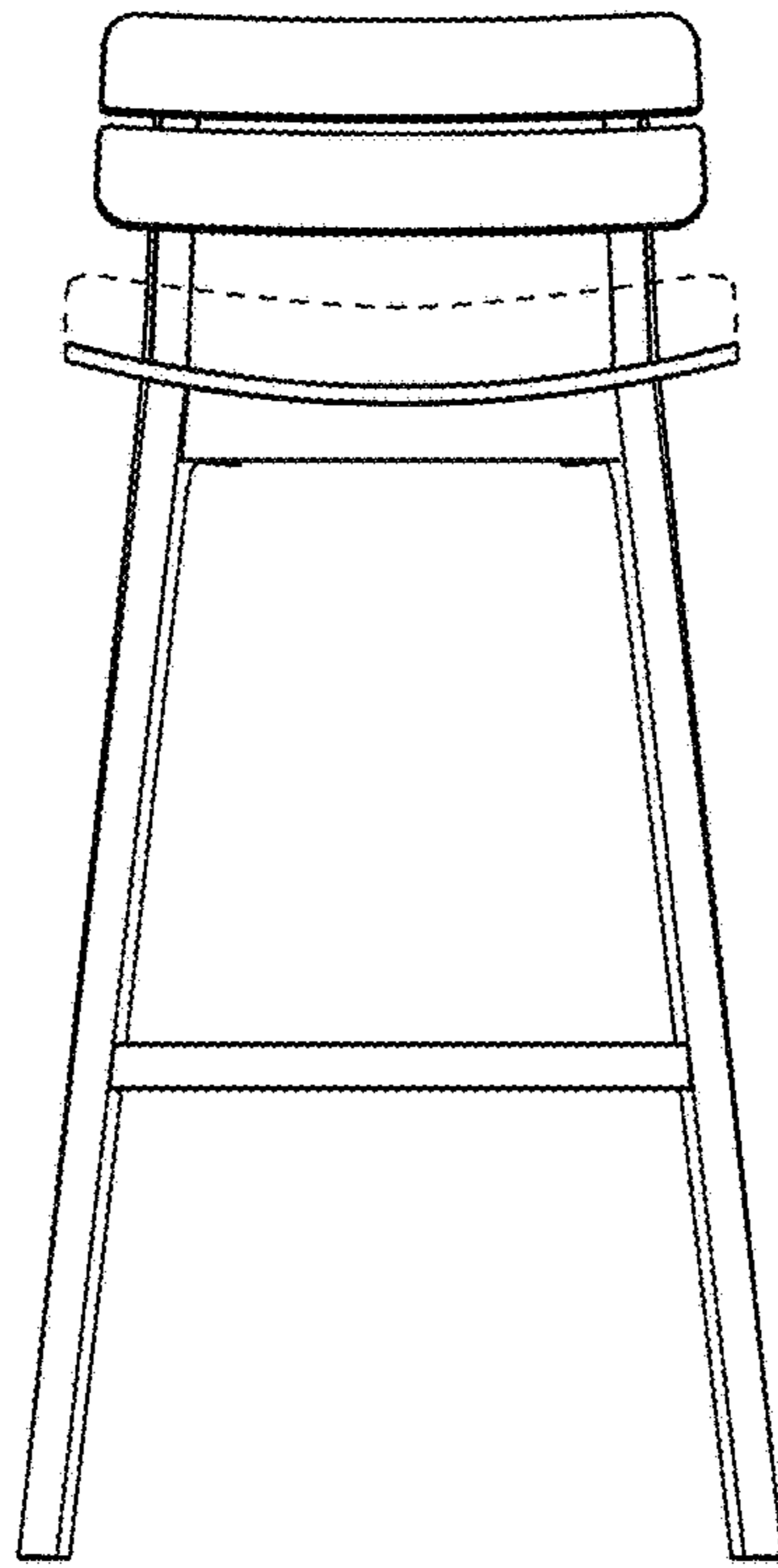


FIG. 16

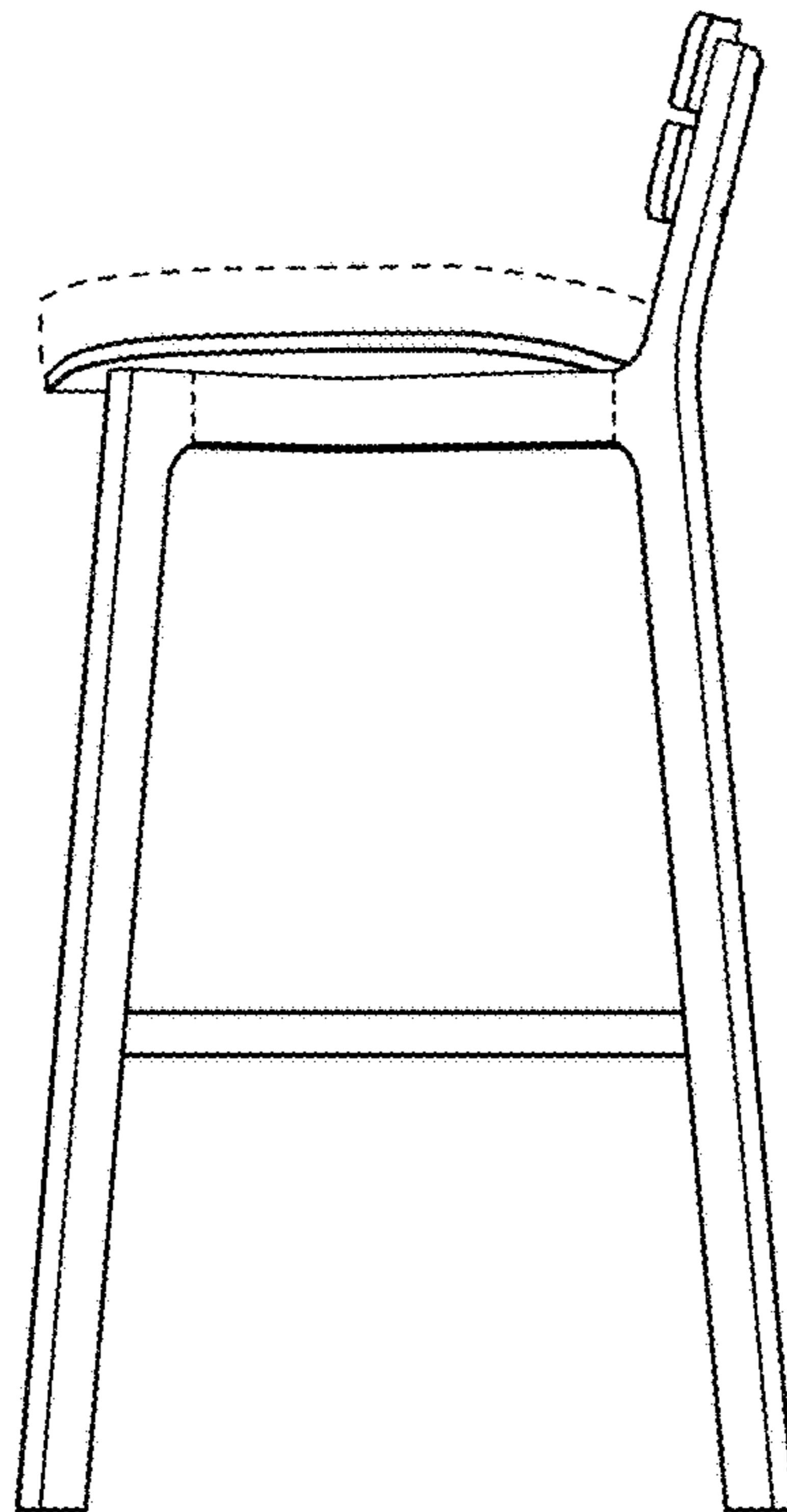


FIG. 17

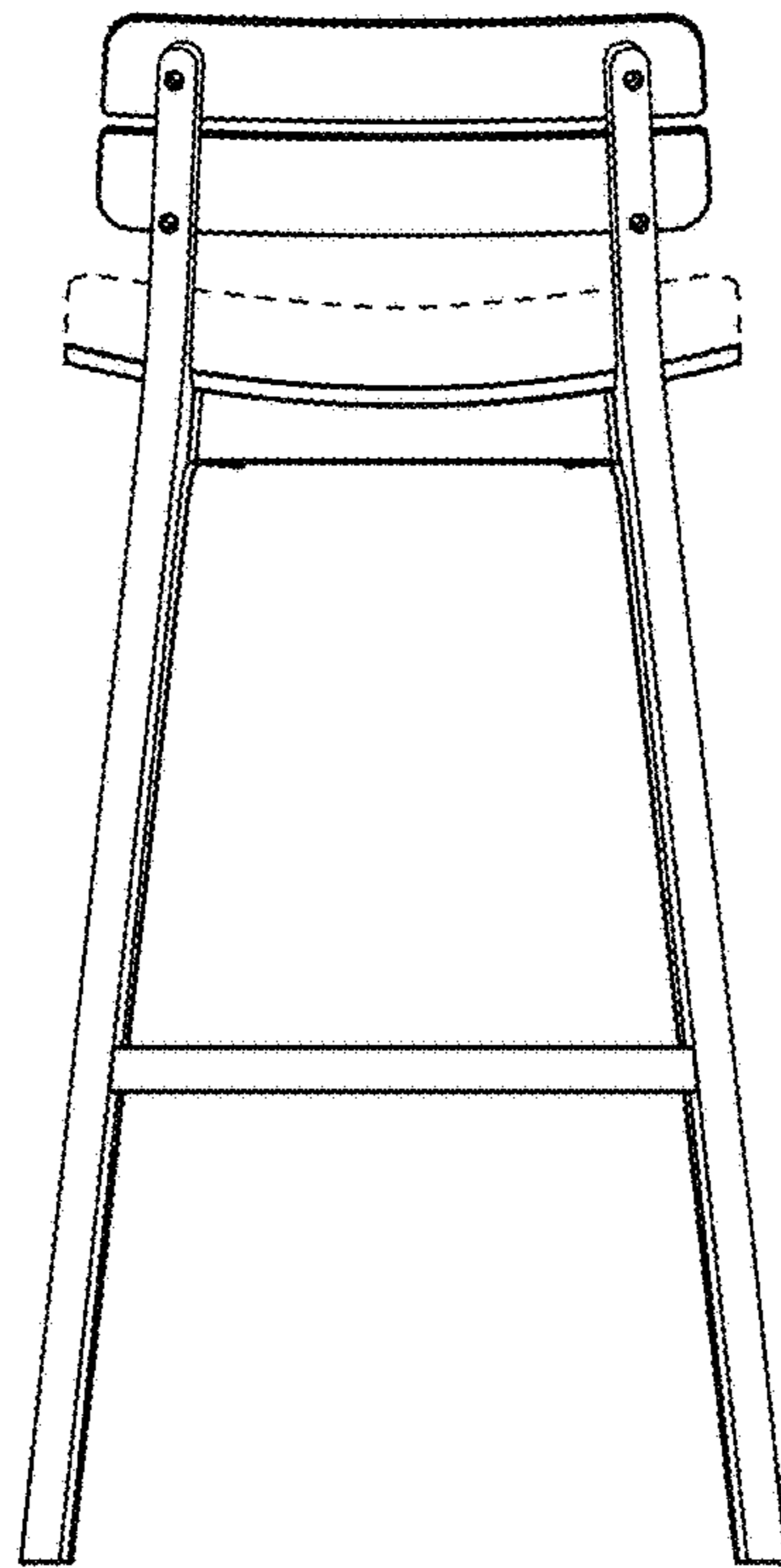


FIG. 18

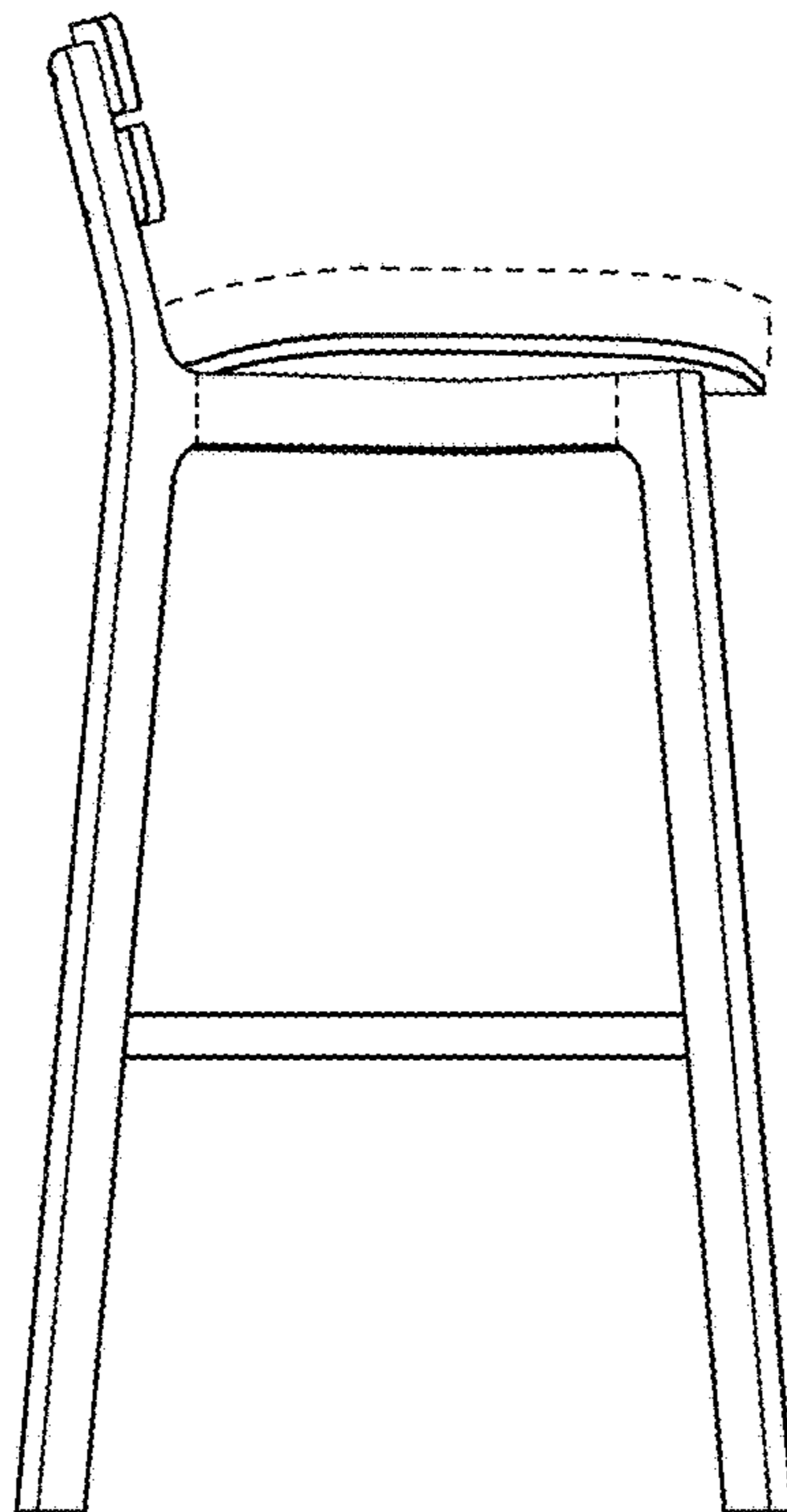


FIG. 19

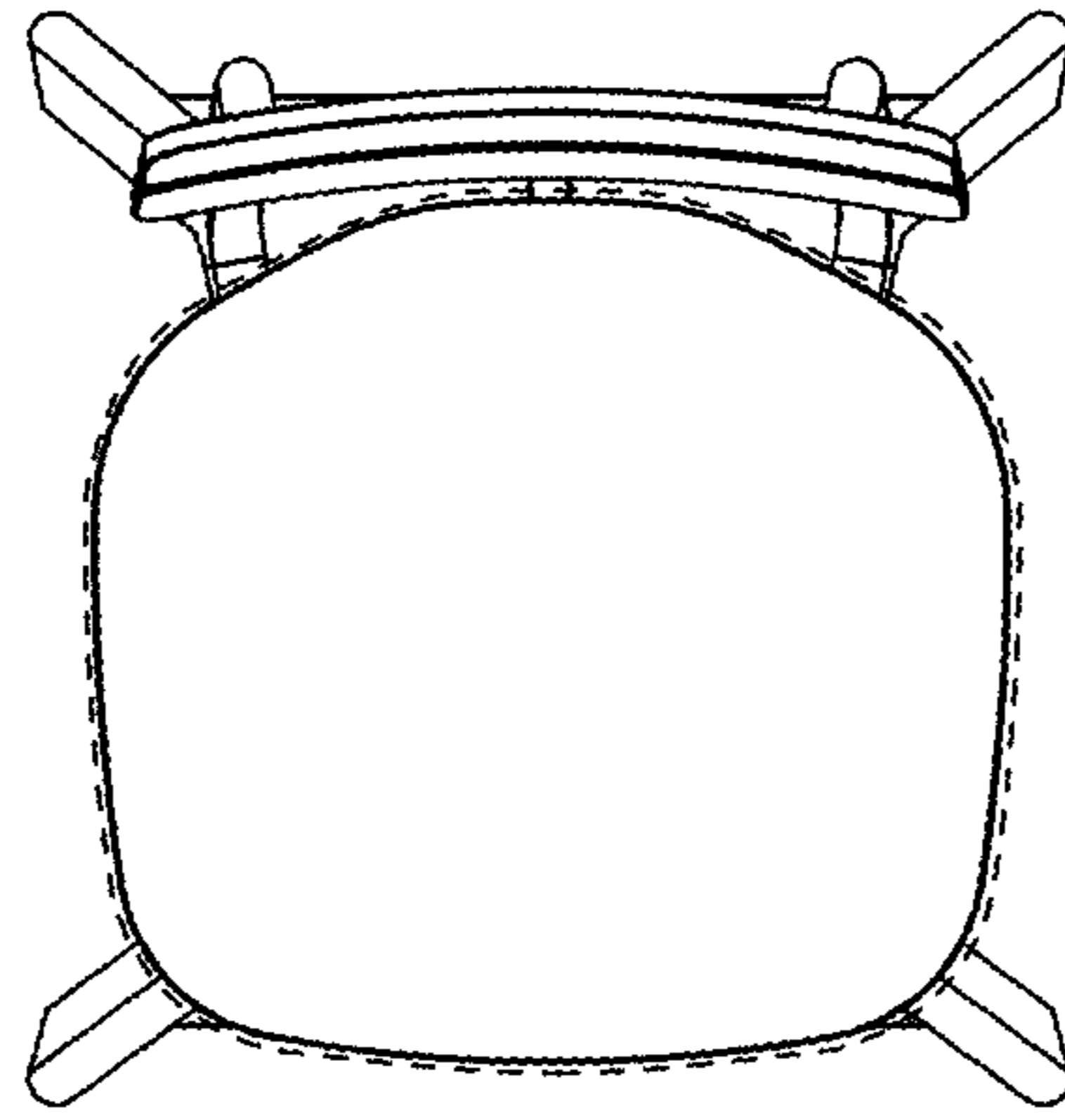


FIG. 20

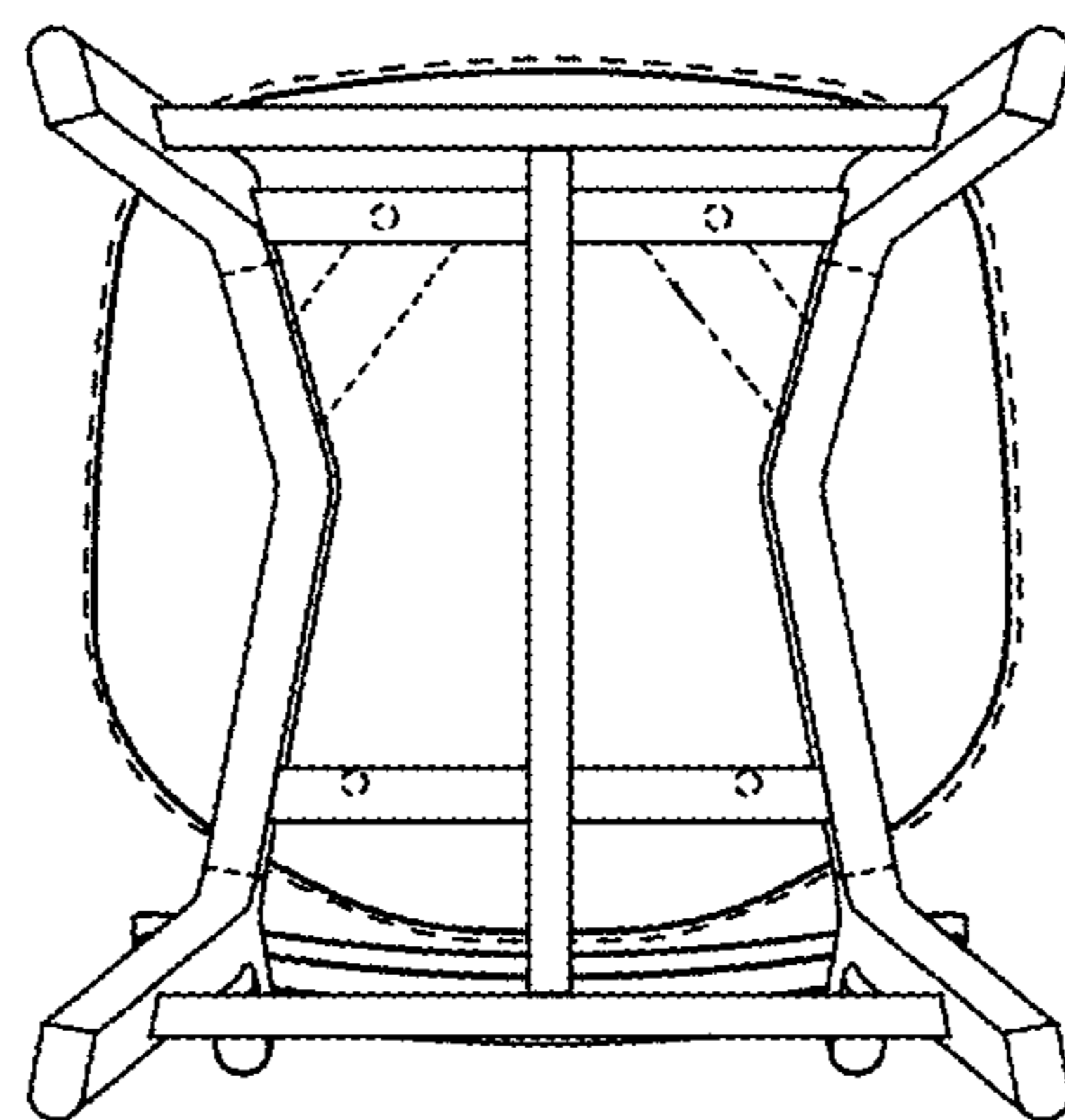


FIG. 21