



US00D817006S

(12) **United States Design Patent**  
**Kinoshita**

(10) **Patent No.:** **US D817,006 S**

(45) **Date of Patent:** **\*\* May 8, 2018**

(54) **CLEANSING HAIR BRUSH WITH A  
REMOVABLE COVER**

(71) Applicant: **S-HEART-S CO., LTD.**, Osaka, Osaka  
(JP)

(72) Inventor: **Megumu Kinoshita**, Osaka (JP)

(73) Assignee: **S-HEART-S CO., LTD.**, Osaka (JP)

(\*\*) Term: **15 Years**

(21) Appl. No.: **29/568,442**

(22) Filed: **Jun. 17, 2016**

(30) **Foreign Application Priority Data**

Dec. 19, 2015 (JP) ..... 2015-028325

(51) **LOC (11) Cl.** ..... **04-99**

(52) **U.S. Cl.**  
USPC ..... **D4/134; D4/132; D4/136; D4/116**

(58) **Field of Classification Search**  
USPC ..... D4/116, 117, 118, 119, 124, 199, 130,  
D4/132, 134, 136; D6/536  
CPC ..... A45D 24/14; A45D 24/16; A46B 3/005;  
A46B 5/00; A46B 5/02; A46B 5/021;  
A46B 9/02; A46B 9/021; A46B 9/023;  
A46B 13/001; A46B 13/008; A46B  
15/0055; A46B 15/0081; A46B 15/0087;  
A46B 17/02; A46B 2200/30; A46B  
2200/104; A46B 2200/106; A46B  
2200/202; A46B 2200/205; A46B  
2200/207; A46B 2200/304; A46B  
2200/1006; A46B 2200/1046; A46B  
2200/1053; A46B 2200/3006; A46B  
2200/3033; A46B 2200/3093

See application file for complete search history.

(56) **References Cited**

**U.S. PATENT DOCUMENTS**

D46,895 S \* 2/1915 Campbell ..... 30/169  
D96,436 S \* 7/1935 Wewetzer ..... D4/130

D200,761 S \* 4/1965 Hamm ..... D4/114  
D220,074 S \* 3/1971 Morris ..... D4/137  
D305,671 S \* 1/1990 King ..... D19/75  
D365,483 S \* 12/1995 Van Dyk ..... D6/536  
D478,232 S \* 8/2003 Dretzka ..... D6/536  
D480,219 S \* 10/2003 Mastroianni ..... D4/130  
D527,530 S \* 9/2006 Ajluni ..... D4/130  
D592,494 S \* 5/2009 Wichowski ..... D9/414

(Continued)

**OTHER PUBLICATIONS**

Facebook—Scalp Brush, announced Nov. 5, 2017 [online], [site visited Feb. 15, 2018]. Available from internet, URL: <<https://www.facebook.com/sheartsjp/posts/1695336870510871>>.\*

*Primary Examiner* — Keli L Hill

*Assistant Examiner* — Karra S Johnson

(74) *Attorney, Agent, or Firm* — Westerman, Hattori,  
Daniels & Adrian, LLP

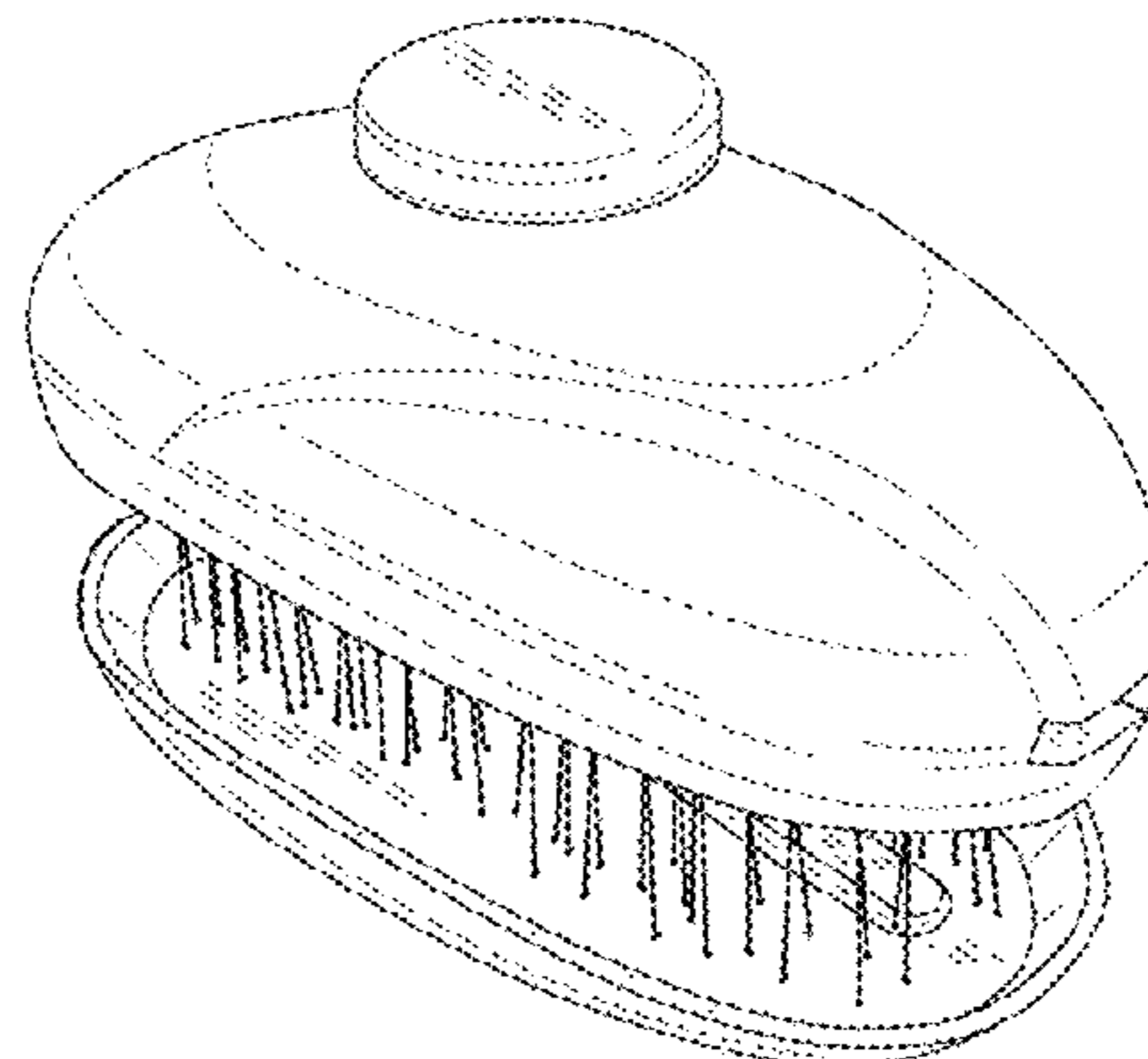
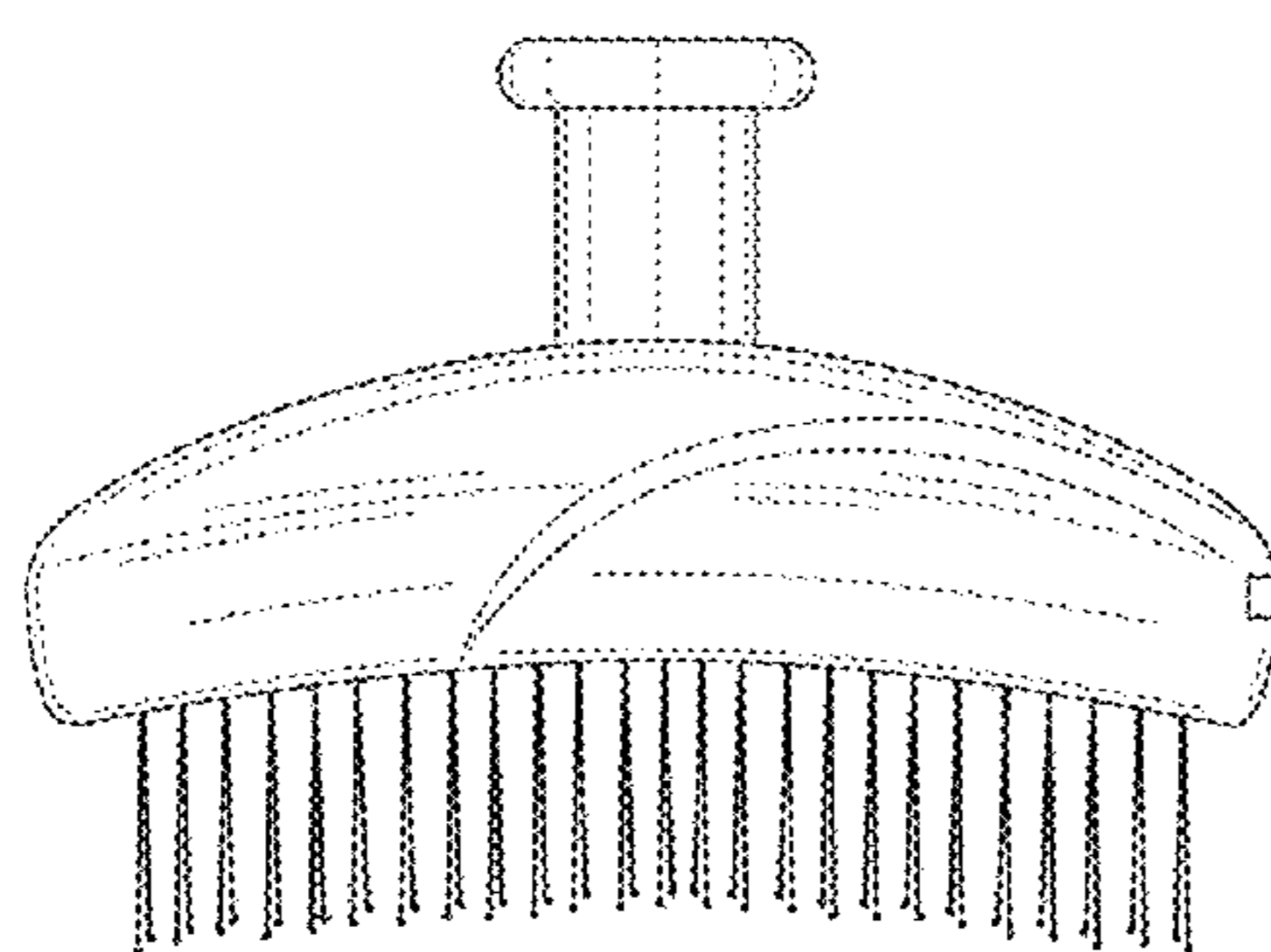
(57) **CLAIM**

The ornamental design for a cleansing hair brush with a removable cover, as shown and described.

**DESCRIPTION**

FIG. 1 is a front elevational view of a cleansing hair brush with a removable cover, showing my new design.  
FIG. 2 is a top plan view thereof.  
FIG. 3 is a bottom plan view thereof.  
FIG. 4 is a left side elevational view thereof.  
FIG. 5 is a right side elevational view thereof.  
FIG. 6 is a rear elevational view thereof.  
FIG. 7 is a cross-sectional view thereof, taken along line 7-7 of FIG. 1, with bristles removed for clarity.  
FIG. 8 is a cross-sectional view thereof taken along line 8-8 of FIG. 4, with bristles removed for clarity.  
FIG. 9 is a front elevational view thereof, with the bottom cover removed; and,  
FIG. 10 is a perspective view thereof.

**1 Claim, 10 Drawing Sheets**



(56)

**References Cited**

U.S. PATENT DOCUMENTS

D596,468	S *	7/2009	Seehoff .....	D4/116
D609,870	S *	2/2010	Hilger .....	D32/40
D637,006	S *	5/2011	Marsden .....	D4/130
D660,600	S *	5/2012	Pottes .....	D4/130
D688,465	S *	8/2013	Khubani .....	D4/130
D697,314	S *	1/2014	Tronconi .....	D4/130
D703,956	S *	5/2014	Treeby .....	D4/116
9,049,973	B1 *	6/2015	Arrieta .....	A47L 13/16
D753,404	S *	4/2016	Zemel .....	D4/138
D765,420	S *	9/2016	Suh .....	D4/130
D765,990	S *	9/2016	Kim .....	D4/116
D807,042	S *	1/2018	Flynn .....	D4/104
2007/0169293	A1 *	7/2007	Wang .....	A46B 17/06 15/159.1
2008/0120799	A1 *	5/2008	Dondi .....	A46B 9/02 15/179
2018/0021644	A1 *	1/2018	White .....	A63B 57/60

\* cited by examiner

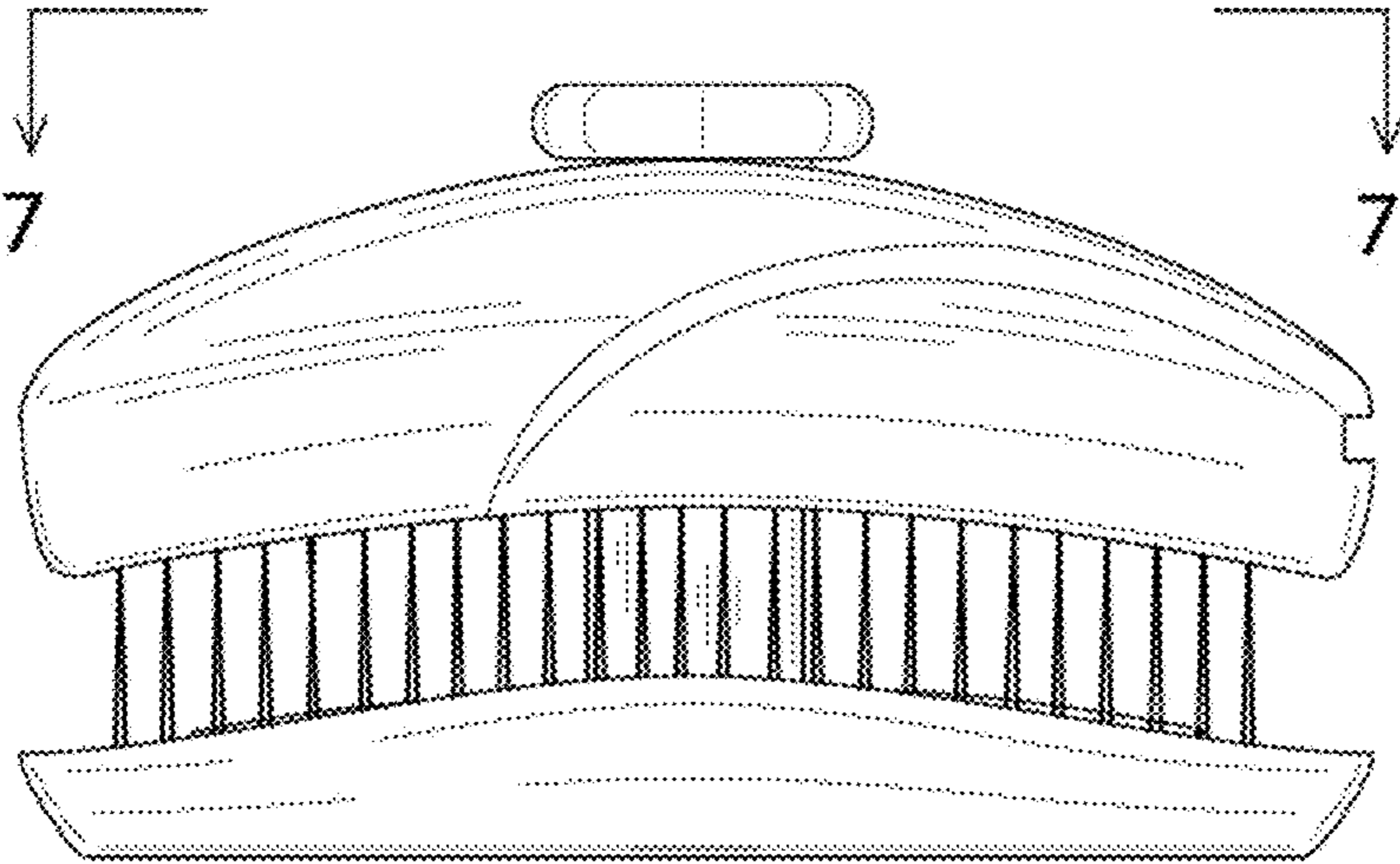


Fig. 1

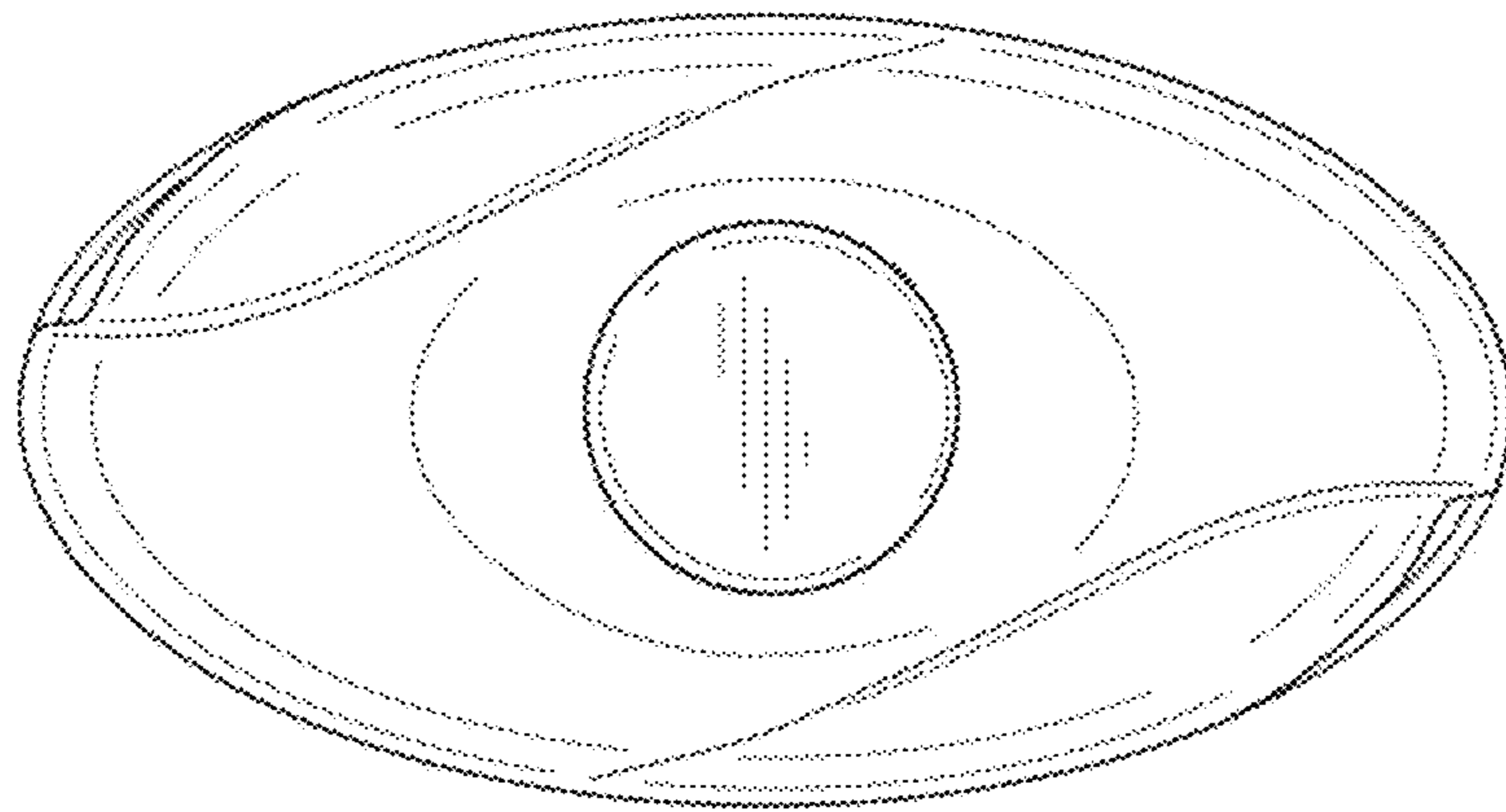


Fig. 2

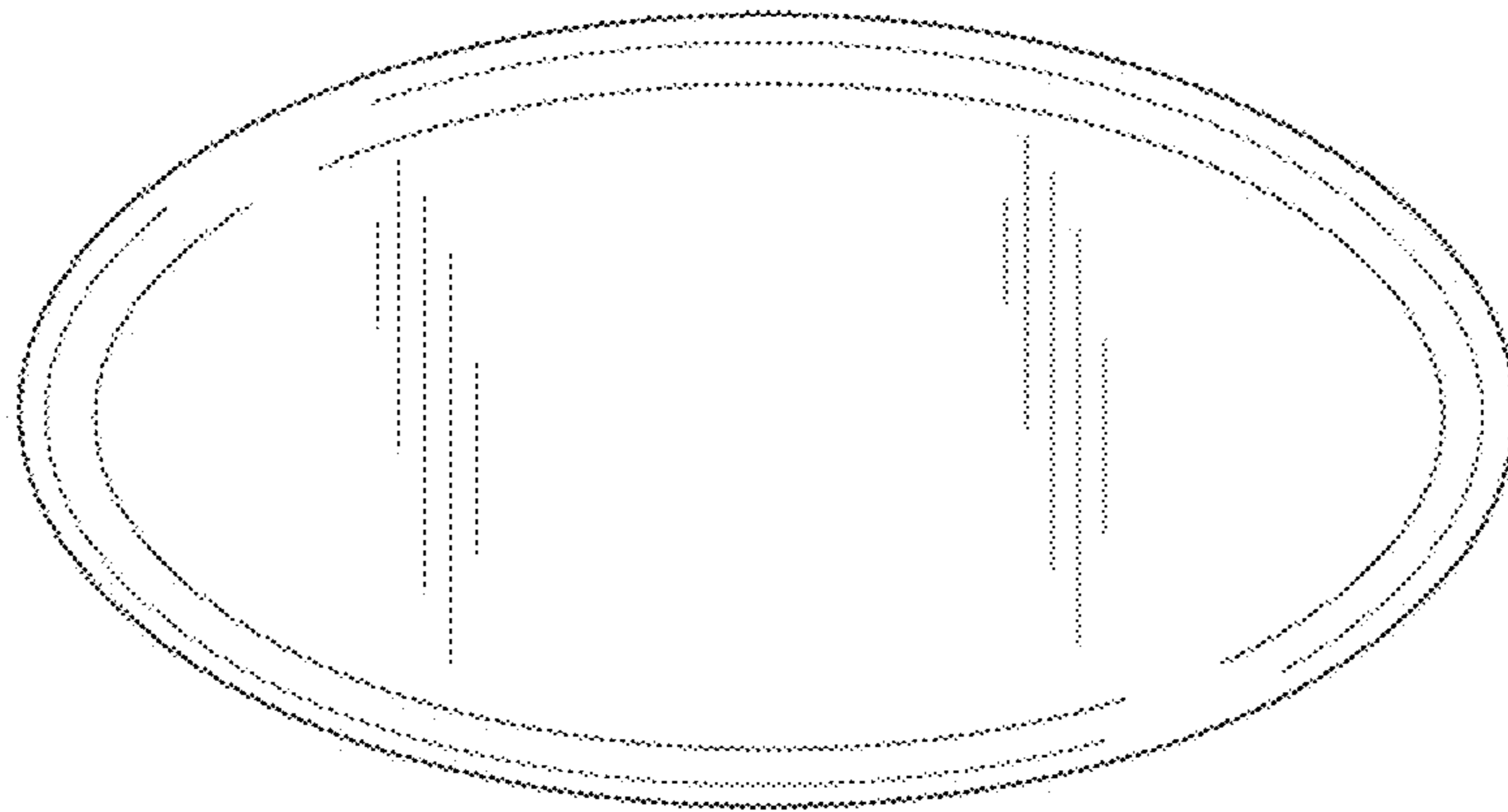


Fig. 3

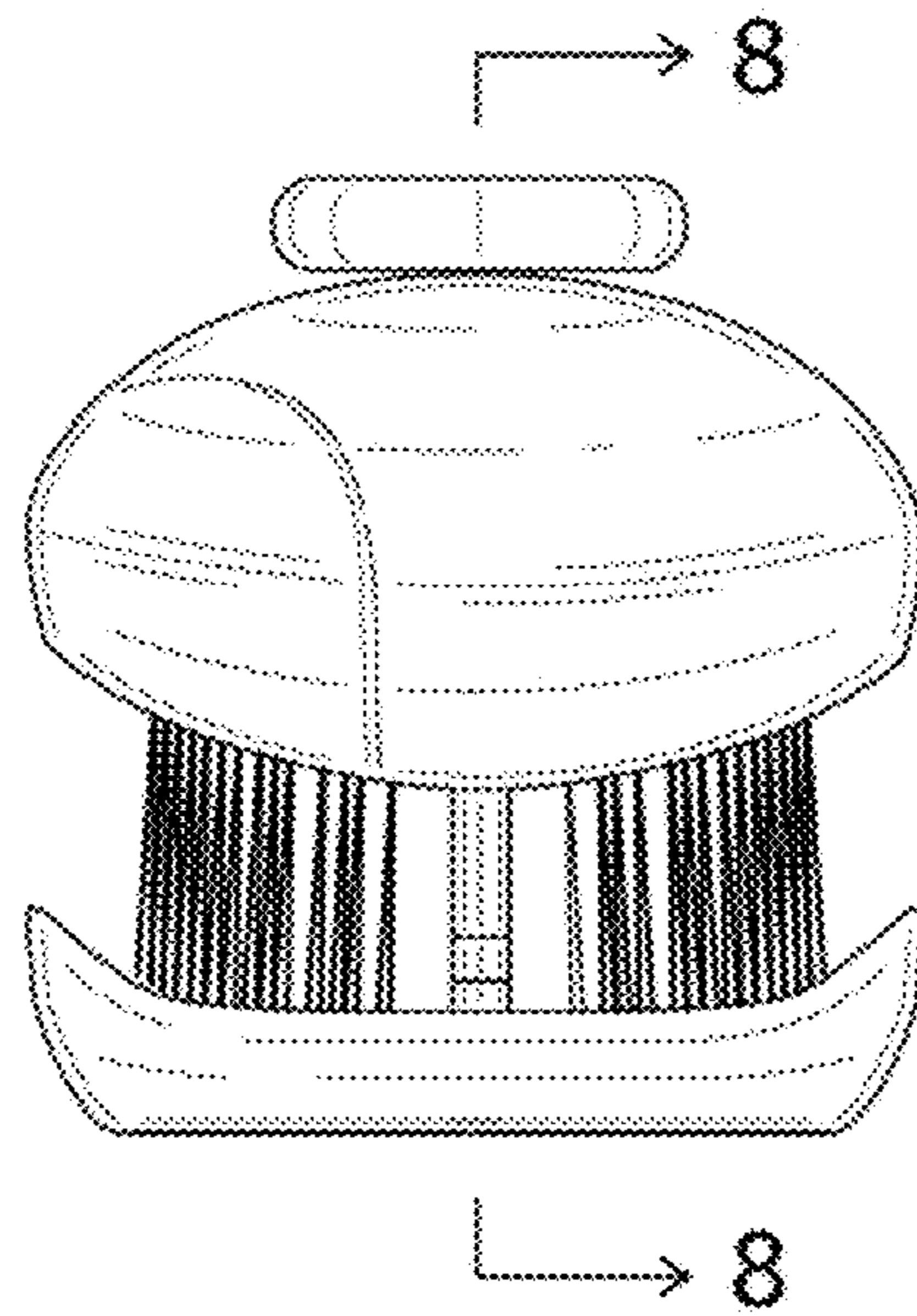


Fig. 4



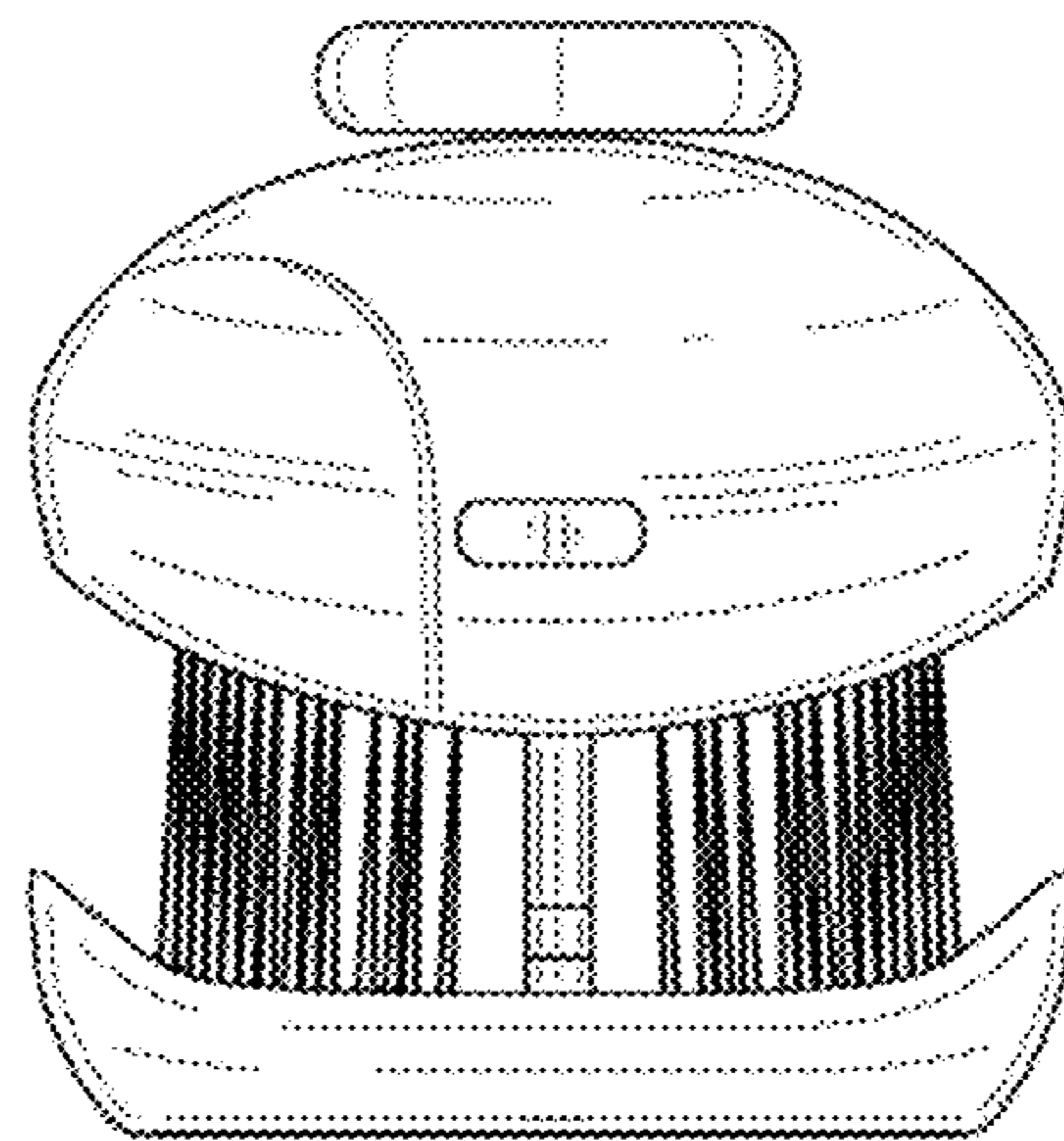


Fig. 5

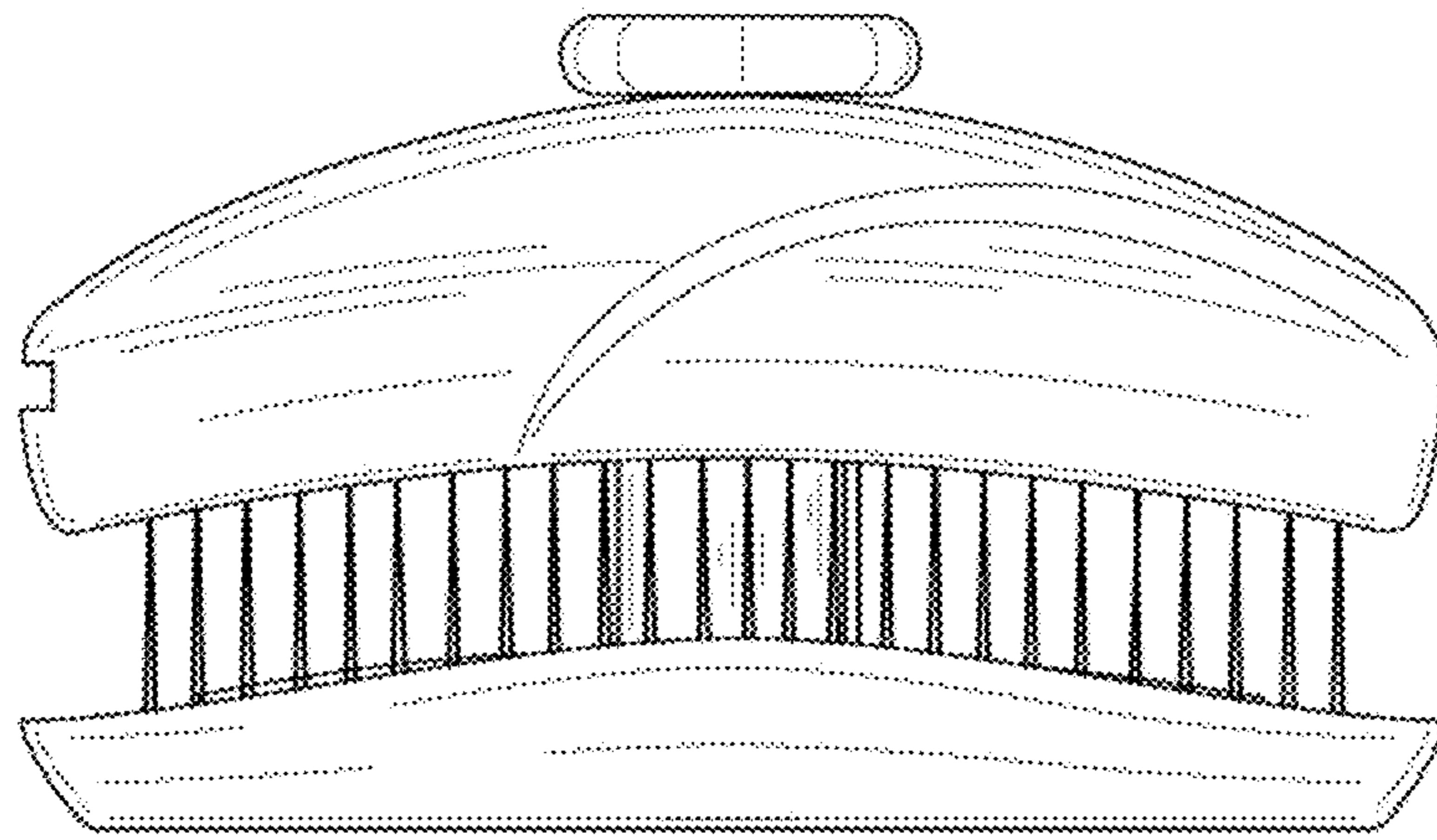


Fig. 6



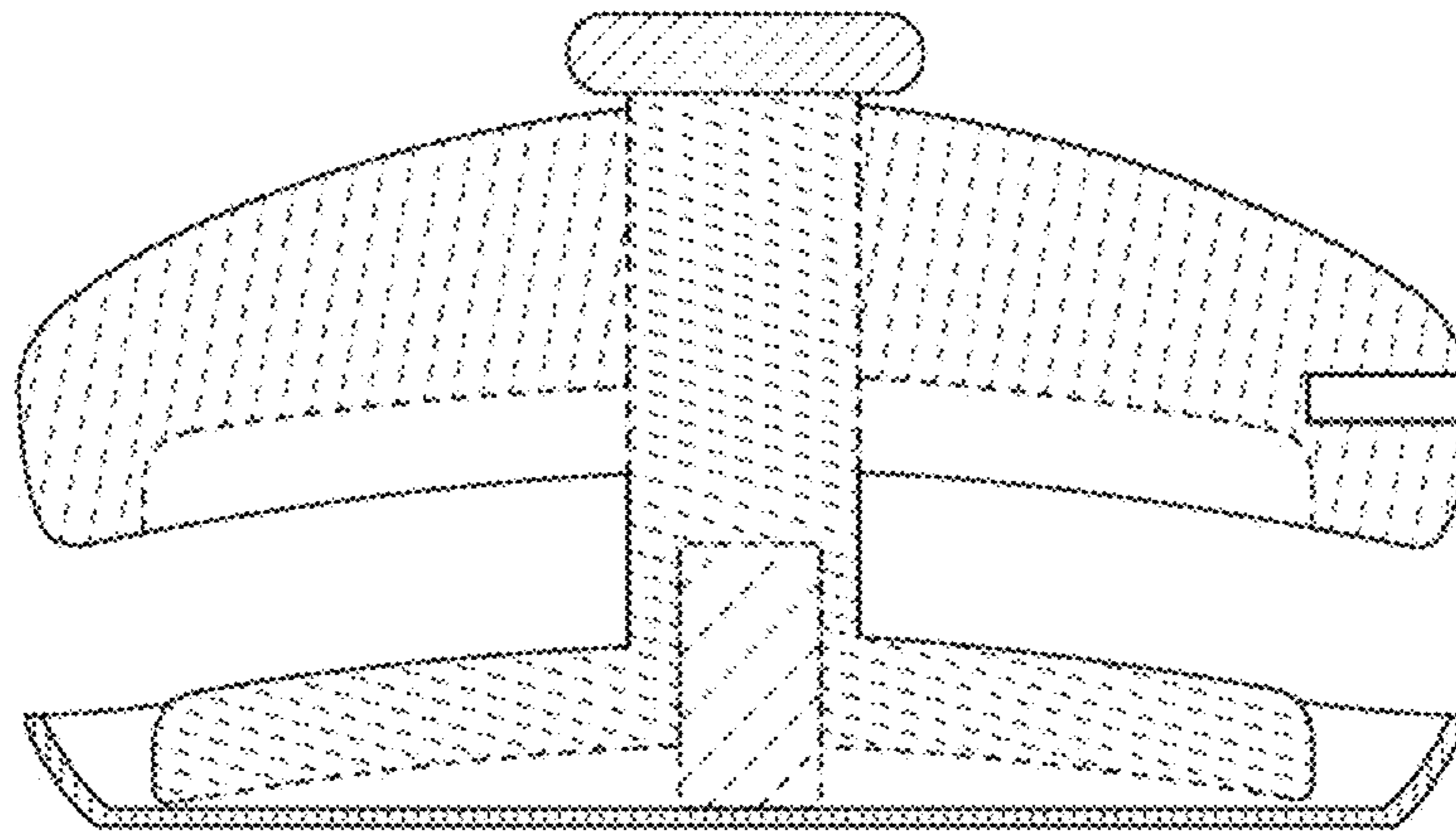


Fig. 7

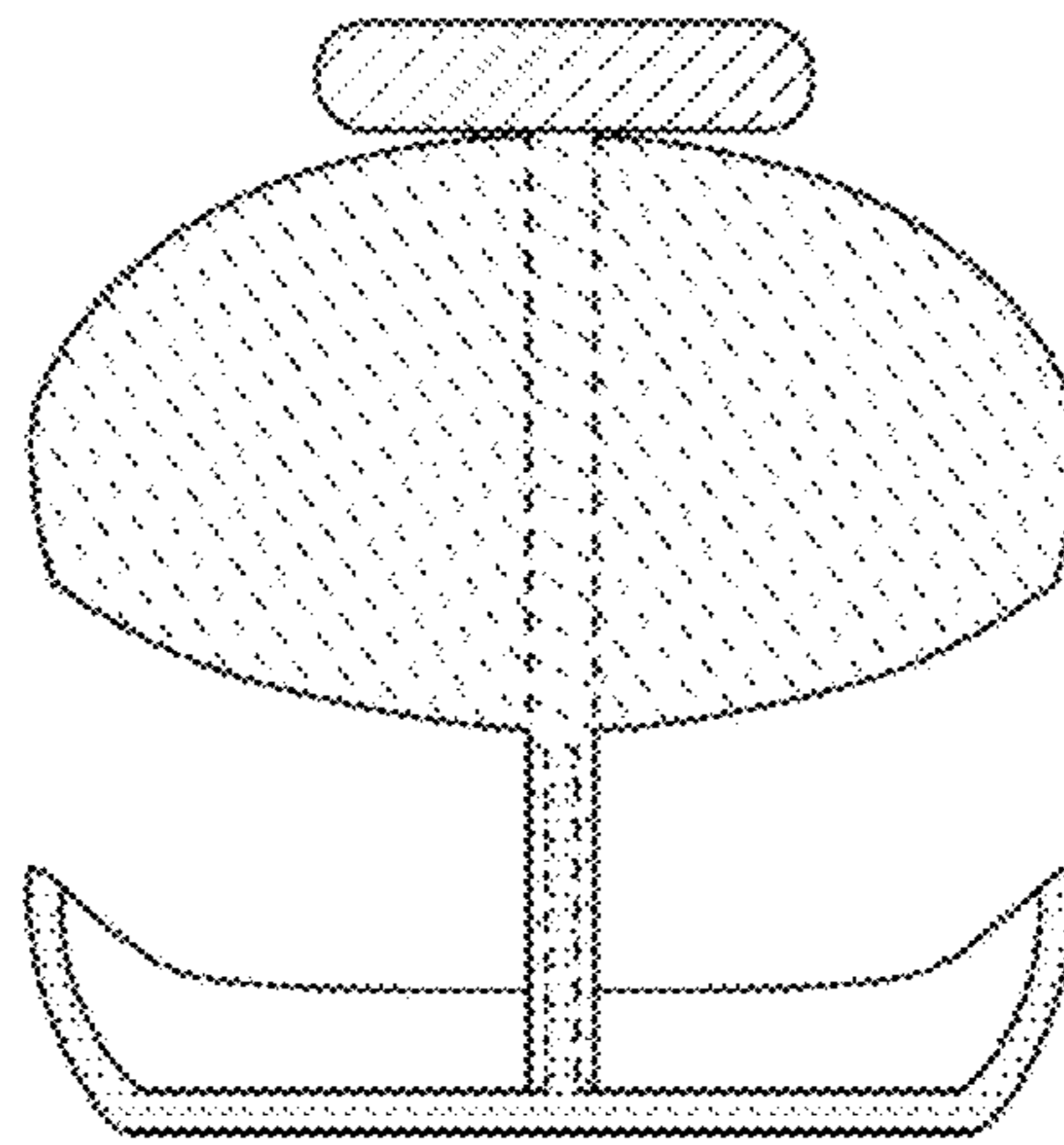


Fig. 8

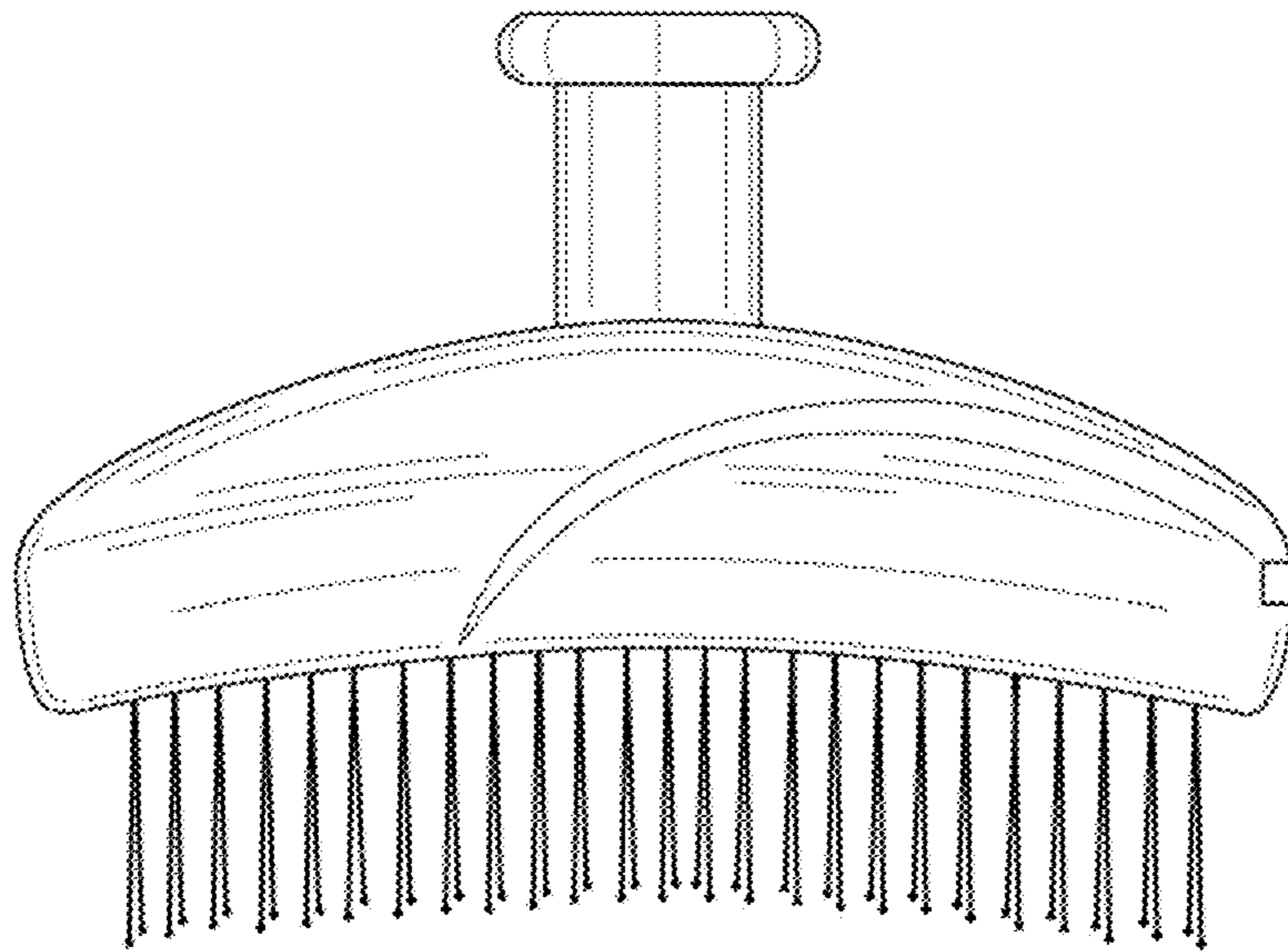


Fig. 9

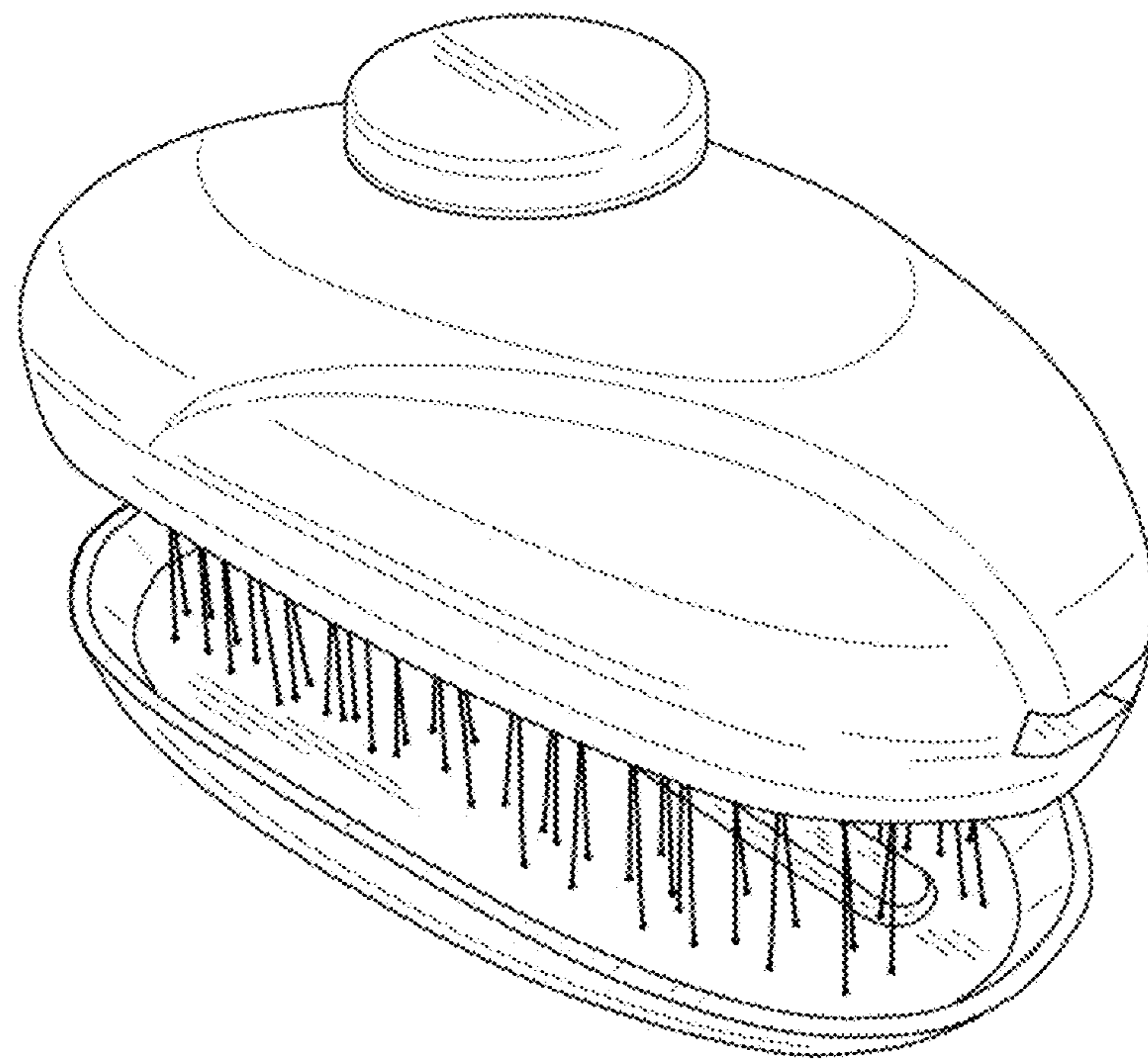


Fig. 10