



US00D817003S

(12) **United States Design Patent** (10) **Patent No.:** **US D817,003 S**  
**Wainless et al.** (45) **Date of Patent:** **\*\* May 8, 2018**

- (54) **ORAL CARE IMPLEMENT**
- (71) Applicant: **COLGATE-PALMOLIVE COMPANY**, New York, NY (US)
- (72) Inventors: **Daniel Wainless**, New Brunswick, NJ (US); **Christina Herrmann**, Bad Homburg v. d. H. (DE)
- (73) Assignee: **Colgate-Palmolive Company**, New York, NY (US)
- (\*\*) Term: **15 Years**
- (21) Appl. No.: **29/583,560**
- (22) Filed: **Nov. 7, 2016**
- (51) **LOC (11) Cl.** ..... **04-02**
- (52) **U.S. Cl.**  
USPC ..... **D4/107**
- (58) **Field of Classification Search**  
USPC ..... D4/100, 101, 102, 104, 105, 106, 107, D4/108, 109, 110, 111, 112, 113  
CPC ..... A46B 5/00; A46B 5/021; A46B 5/023; A46B 9/04; A46B 9/10; A46B 2200/106  
See application file for complete search history.

(56) **References Cited**

U.S. PATENT DOCUMENTS

5,187,829	A	2/1993	Atkins	
D388,254	S *	12/1997	Schiffer	D4/107
D410,787	S *	6/1999	Barre	D4/104
D443,144	S *	6/2001	O'Halloran	D4/111
D565,844	S *	4/2008	Wong	D4/107
D606,759	S *	12/2009	Dotterman	D4/125
8,079,109	B2	12/2011	Misner et al.	
D653,454	S *	2/2012	Wong	D4/107
D661,098	S *	6/2012	Nanda	D4/101
D676,243	S *	2/2013	Lee	D4/101
D676,720	S *	2/2013	Attinello	D7/653
D678,679	S *	3/2013	Xi	D4/108

D689,699	S	9/2013	Xi et al.	
D693,127	S	11/2013	Xi et al.	
D697,719	S	1/2014	Xi et al.	
D697,721	S	1/2014	Xi et al.	
9,084,472	B2	7/2015	Patel	
D738,627	S *	9/2015	Xi	D4/107
D751,294	S	3/2016	Xi et al.	
D776,436	S *	1/2017	Xi	D4/104
D794,338	S *	8/2017	Griffin	D4/107
D796,933	S *	9/2017	Bodie	D7/656
2002/0100134	A1	8/2002	Dunn et al.	
2003/0088933	A1	5/2003	Woods et al.	
2017/0013952	A1 *	1/2017	Li	A46B 15/0004

**OTHER PUBLICATIONS**

3D Top Quality Kid Toothbrush with Monkey Kind Design ([https://www.alibaba.com/product-detail/3D-top-quality-kid-toothbrush-with\\_60157632437.html](https://www.alibaba.com/product-detail/3D-top-quality-kid-toothbrush-with_60157632437.html)).

BrushBuddies Swinging Sam (Monkey) Toothbrush (<http://www.brushbuddies.com/swingin-sammy-product.html>).

(Continued)

*Primary Examiner* — Karen S Acker  
*Assistant Examiner* — Jasmine Mlinarcik

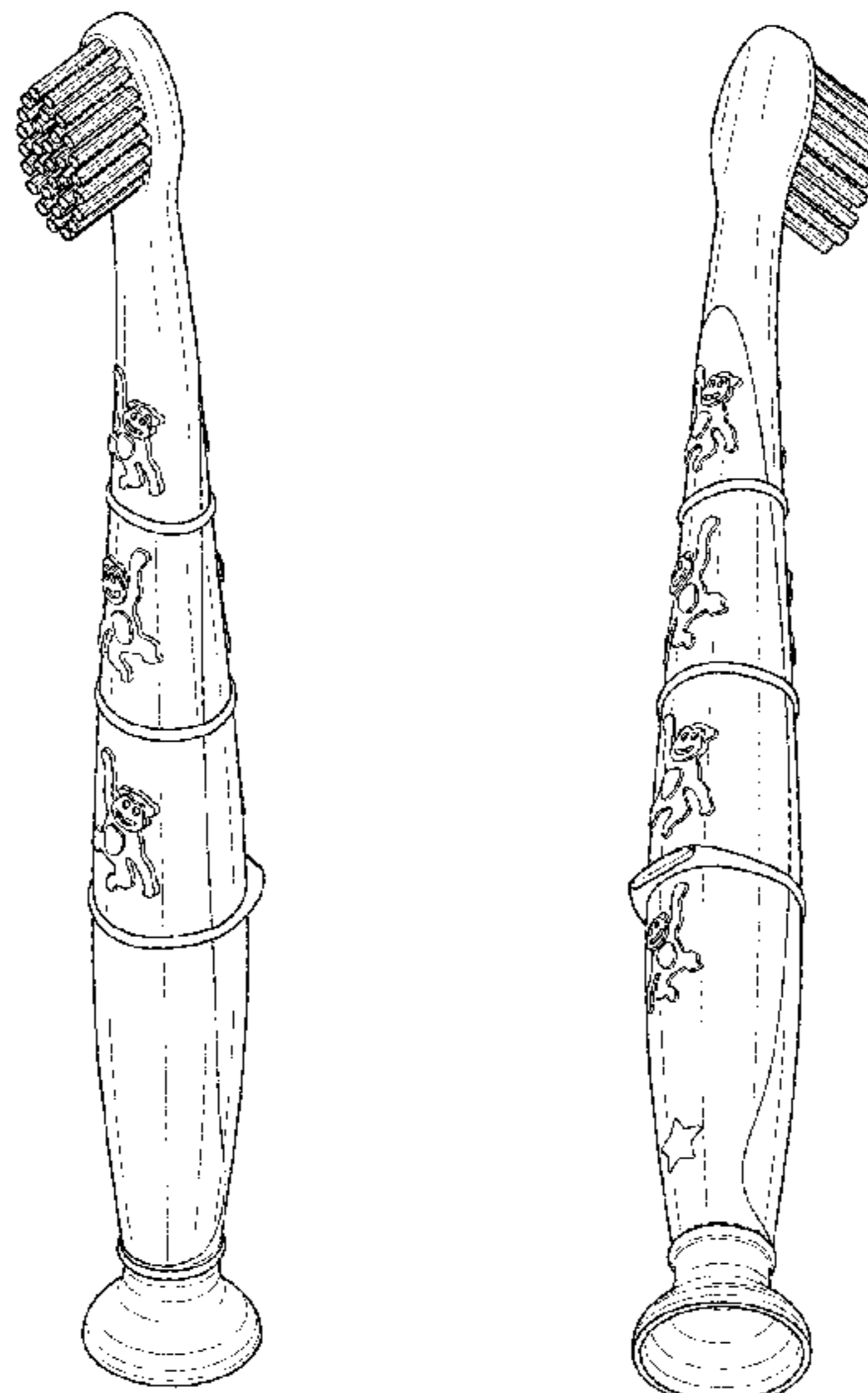
(57) **CLAIM**

The ornamental design for an oral care implement, as shown and described.

**DESCRIPTION**

FIG. 1 is a front left perspective view of an oral care implement;  
FIG. 2 is a rear right perspective view thereof;  
FIG. 3 is a front view thereof;  
FIG. 4 is a rear view thereof;  
FIG. 5 is a left side view thereof;  
FIG. 6 is a right side view thereof;  
FIG. 7 is an enlarged top view thereof; and,  
FIG. 8 is an enlarged bottom view thereof.

**1 Claim, 4 Drawing Sheets**



(56)

**References Cited**

OTHER PUBLICATIONS

BSA Kids Toothbrush (Giraffe) (<http://www.bsa2u.com.my/en/tooth-brush/296-kids-toothbrush-giraffe.html>).

Nylon Bristles Giraffe Shape Kids Toothbrush ([https://www.alibaba.com/product-detail/Nylon-bristles-giraffe-shape-kids-toothbrush\\_60048509209.html](https://www.alibaba.com/product-detail/Nylon-bristles-giraffe-shape-kids-toothbrush_60048509209.html)).

TePe Zoo Giraffe Kids Toothbrush (<https://oralcare4u.com.au/product/t612/>).

\* cited by examiner

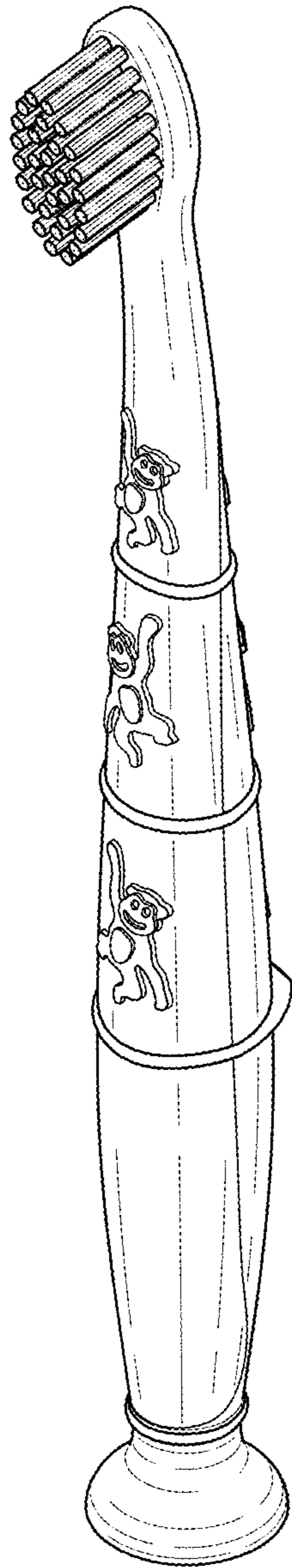


FIG. 1

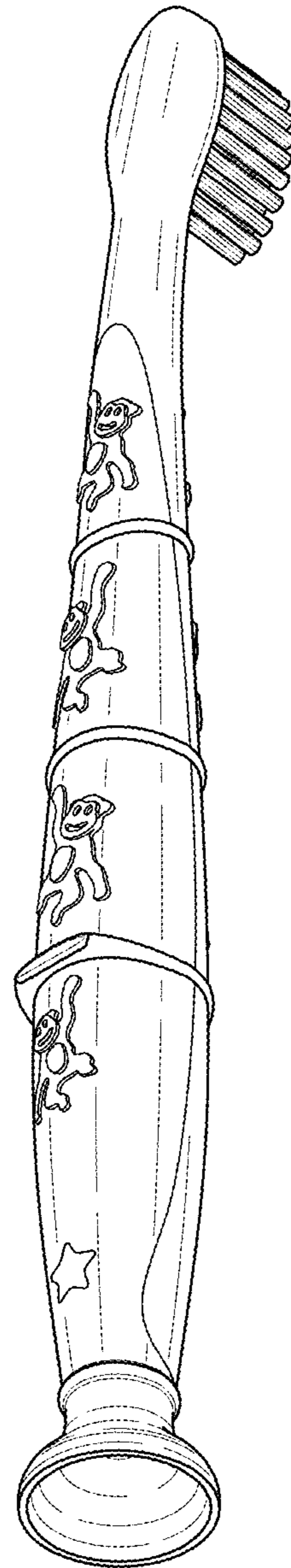


FIG. 2

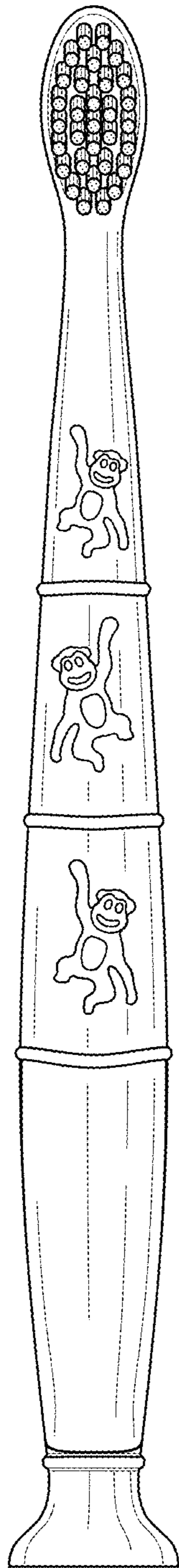


FIG. 3

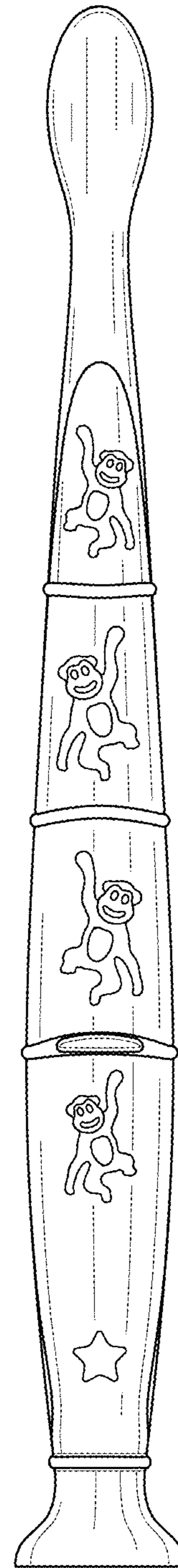


FIG. 4

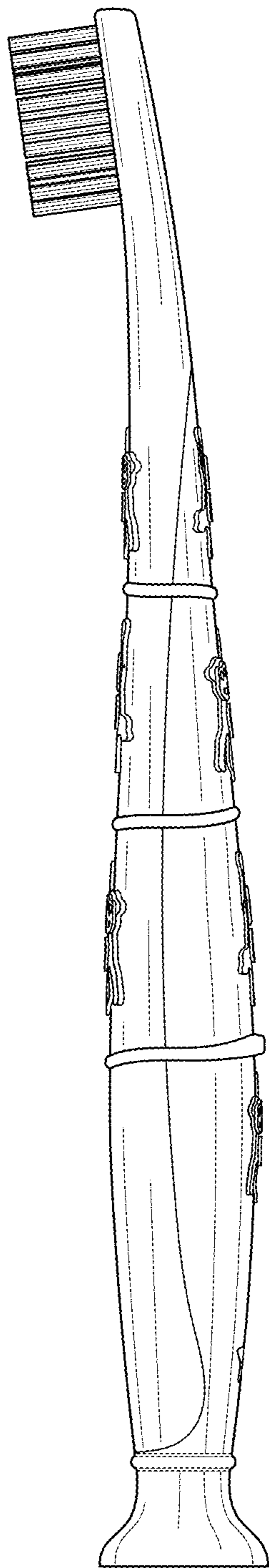


FIG. 5

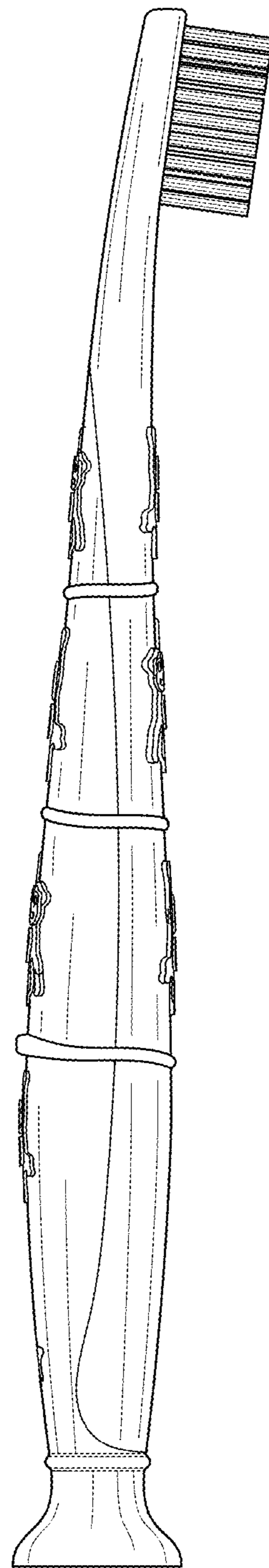


FIG. 6

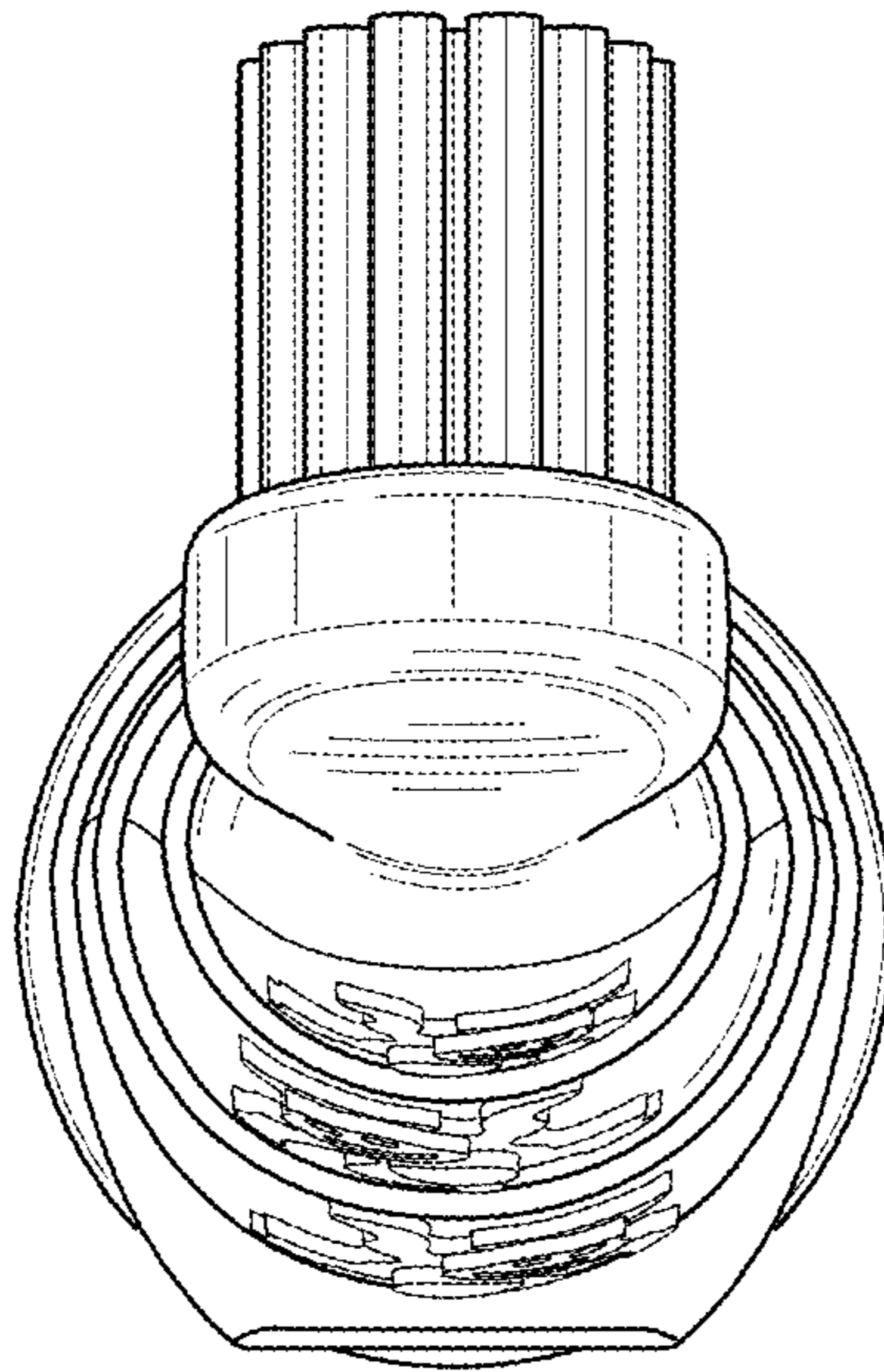


FIG. 7

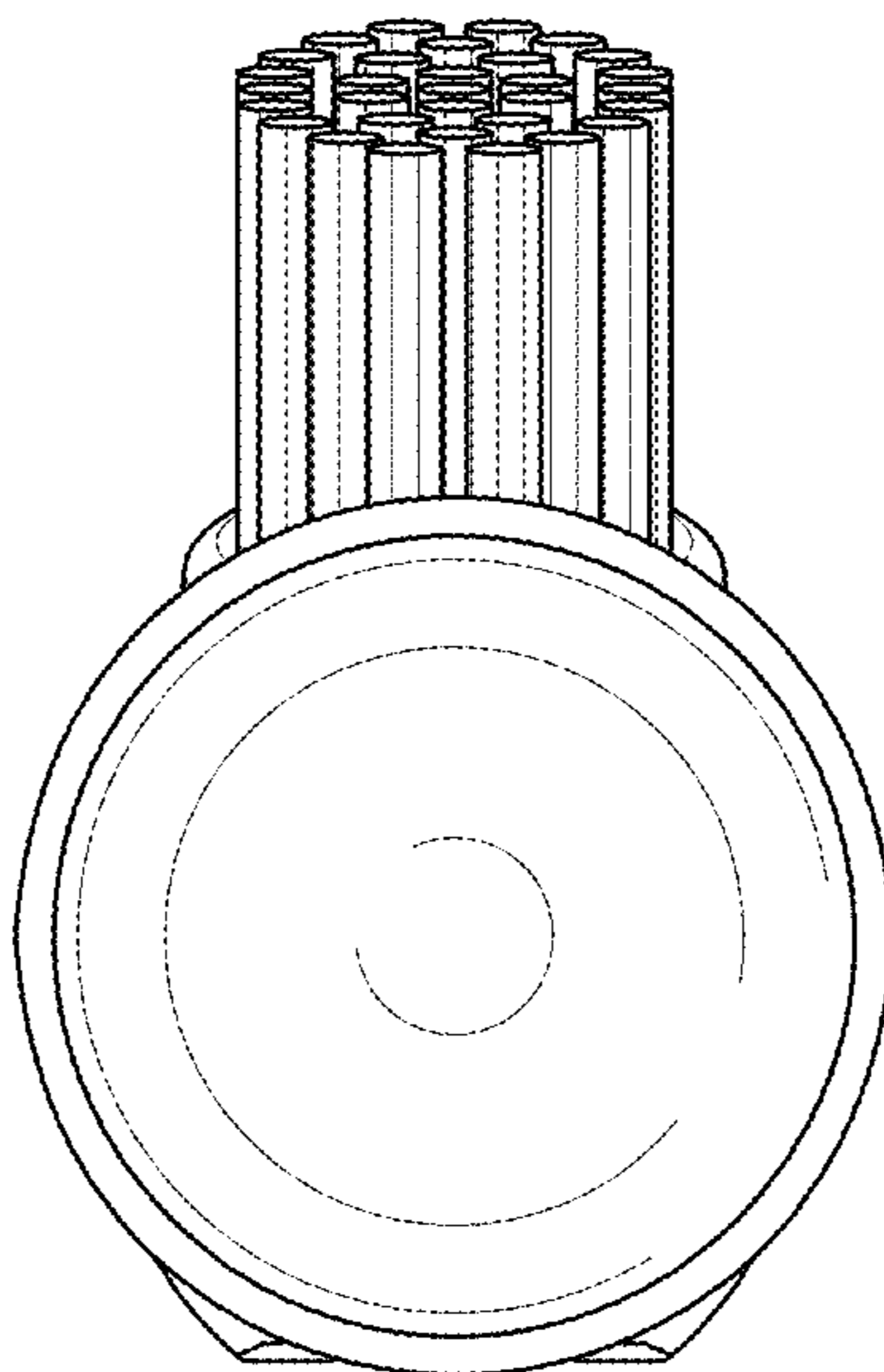


FIG. 8