



US00D817002S

(12) **United States Design Patent** (10) **Patent No.:** **US D817,002 S**
Wainless et al. (45) **Date of Patent:** **** May 8, 2018**

- (54) **ORAL CARE IMPLEMENT**
- (71) Applicant: **COLGATE-PALMOLIVE COMPANY**, New York, NY (US)
- (72) Inventors: **Daniel Wainless**, New Brunswick, NJ (US); **Christina Herrmann**, Bad Homburg v. d. H. (DE)
- (73) Assignee: **Colgate-Palmolive Company**, New York, NY (US)
- (**) Term: **15 Years**
- (21) Appl. No.: **29/583,557**
- (22) Filed: **Nov. 7, 2016**
- (51) **LOC (11) Cl.** **04-02**
- (52) **U.S. Cl.**
USPC **D4/107**
- (58) **Field of Classification Search**
USPC D4/100, 101, 102, 104, 105, 106, 107, D4/108, 109, 110, 111, 112, 113
CPC A46B 5/00; A46B 5/021; A46B 5/023; A46B 9/04; A46B 9/10; A46B 2200/106
See application file for complete search history.

(56) **References Cited**

U.S. PATENT DOCUMENTS

5,187,829 A	2/1993	Atkins	
D356,928 S *	4/1995	Brown	D4/107
D388,254 S *	12/1997	Schiffer	D4/107
D410,787 S *	6/1999	Barre	D4/104
D443,144 S *	6/2001	O'Halloran	D4/111
D565,844 S *	4/2008	Wong	D4/107
D606,759 S *	12/2009	Dotterman	D4/125
8,079,109 B2	12/2011	Misner et al.	
D653,454 S *	2/2012	Wong	D4/107
D661,098 S *	6/2012	Nanda	D4/101
D664,359 S *	7/2012	Xi	D4/104
D676,243 S *	2/2013	Lee	D4/101
D676,720 S *	2/2013	Attinello	D7/653
D678,679 S *	3/2013	Xi	D4/108

D689,699 S	9/2013	Xi et al.	
D693,127 S	11/2013	Xi et al.	
D697,719 S	1/2014	Xi et al.	
D697,721 S	1/2014	Xi et al.	
9,084,472 B2	7/2015	Patel	
D738,627 S *	9/2015	Xi	D4/107
D751,294 S	3/2016	Xi et al.	
D765,989 S *	9/2016	Garcia Mahiques	D4/116
D776,436 S *	1/2017	Xi	D4/104
D794,338 S *	8/2017	Griffin	D4/107
2002/0100134 A1	8/2002	Dunn et al.	

(Continued)

FOREIGN PATENT DOCUMENTS

CN	143230-0001	*	6/2017
----	-------------	---	--------

OTHER PUBLICATIONS

3D Top Quality Kid Toothbrush with Monkey Kind Design (https://www.alibaba.com/product-detail/3D-top-quality-kid-toothbrush-with_60157632437.html).

(Continued)

Primary Examiner — Karen S Acker
Assistant Examiner — Jasmine Mlinarcik

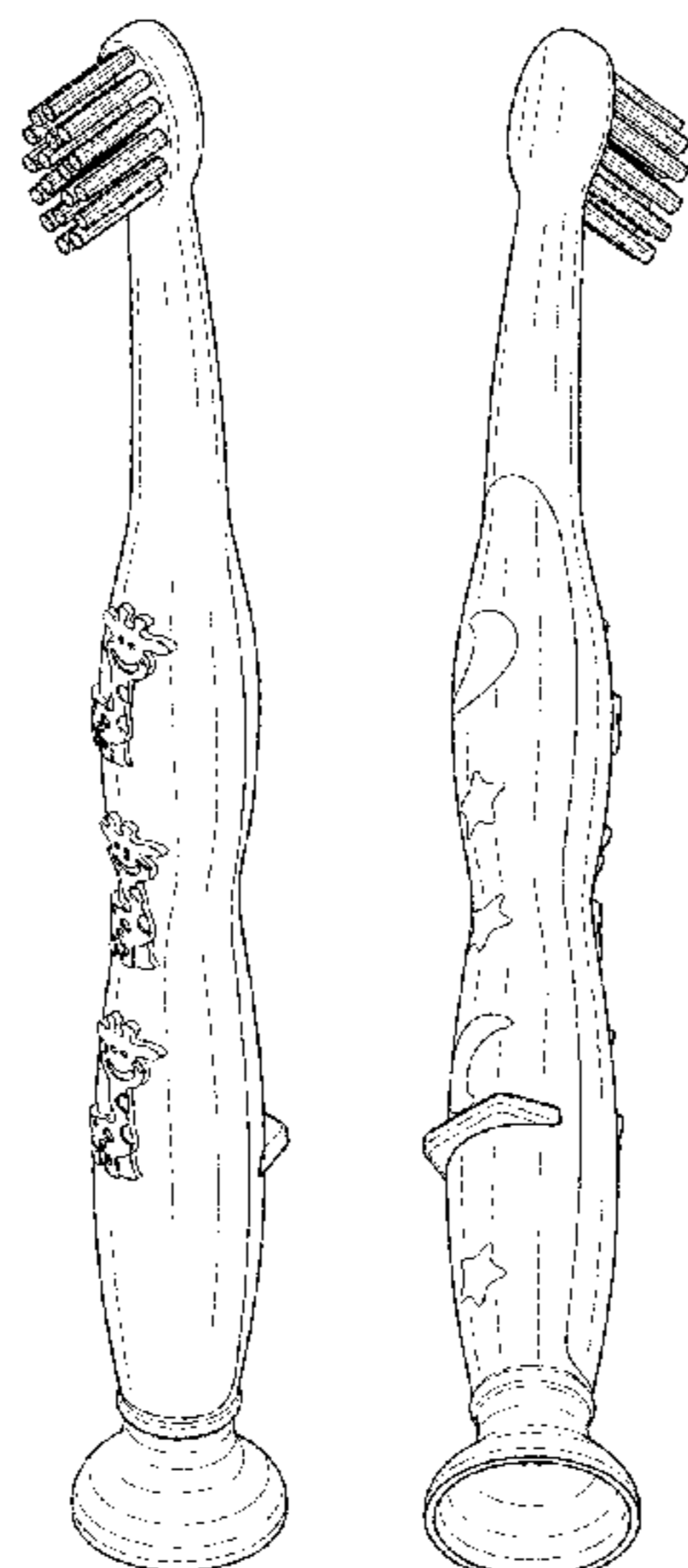
(57) **CLAIM**

The ornamental design for an oral care implement, as shown and described.

DESCRIPTION

FIG. 1 is a front left perspective view of an oral care implement;
FIG. 2 is a rear right perspective view thereof;
FIG. 3 is a front view thereof;
FIG. 4 is a rear view thereof;
FIG. 5 is a left side view thereof;
FIG. 6 is a right side view thereof;
FIG. 7 is an enlarged top view thereof; and,
FIG. 8 is an enlarged bottom view thereof.

1 Claim, 4 Drawing Sheets



(56)

References Cited

U.S. PATENT DOCUMENTS

2003/0088933 A1 5/2003 Woods et al.
2017/0013952 A1* 1/2017 Li A46B 15/0004

OTHER PUBLICATIONS

BrushBuddies Swinging Sam (Monkey) Toothbrush (<http://www.brushbuddies.com/swingin-sammy-product.html>).

BSA Kids Toothbrush (Giraffe) (<http://www.bsa2u.com.my/en/tooth-brush/296-kids-toothbrush-giraffe.html>).

Nylon Bristles Giraffe Shape Kids Toothbrush (https://www.alibaba.com/product-detail/Nylon-bristles-giraffe-shape-kids-toothbrush_60048509209.html).

TePe Zoo Giraffe Kids Toothbrush (<https://oralcare4u.com.au/product/t612/>).

* cited by examiner

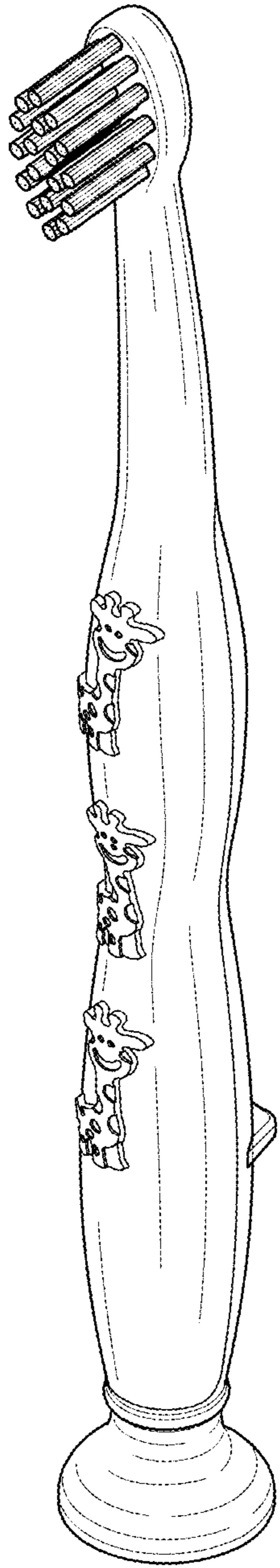


FIG. 1

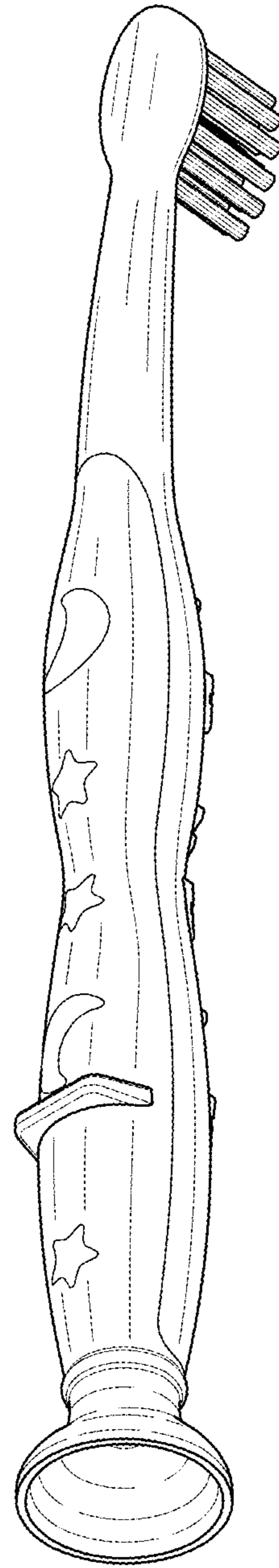


FIG. 2

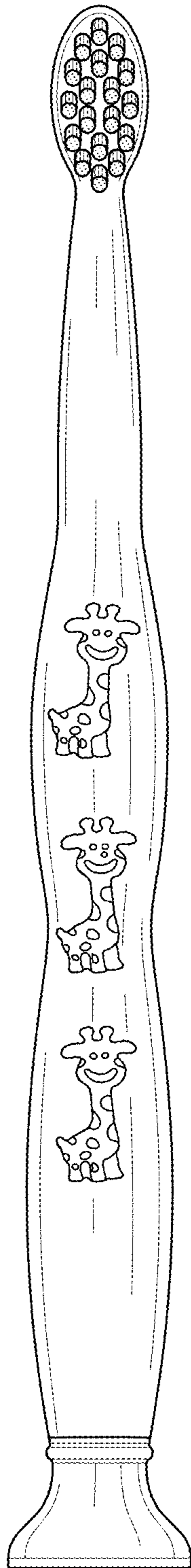


FIG. 3

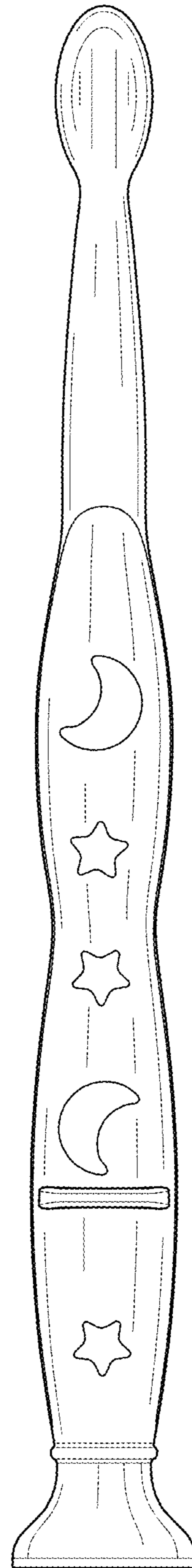


FIG. 4

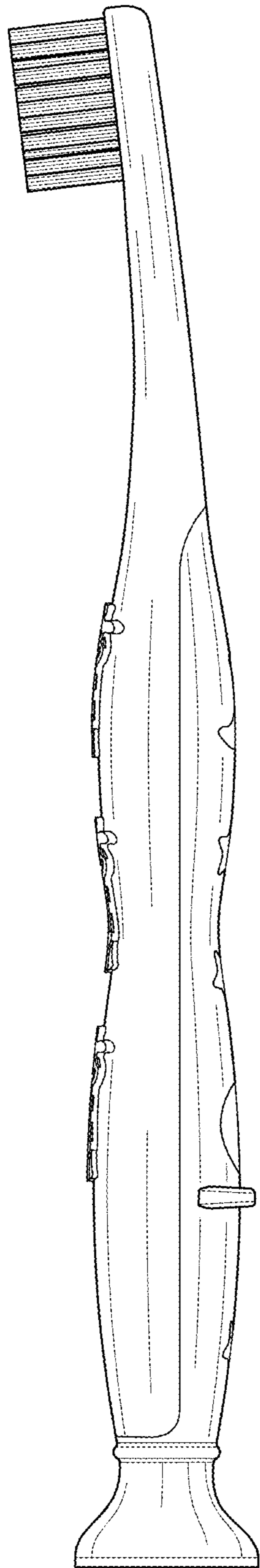


FIG. 5

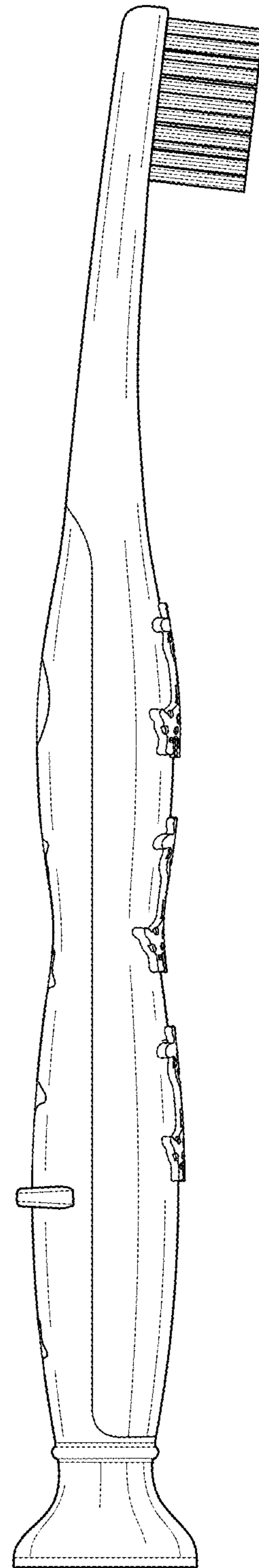


FIG. 6

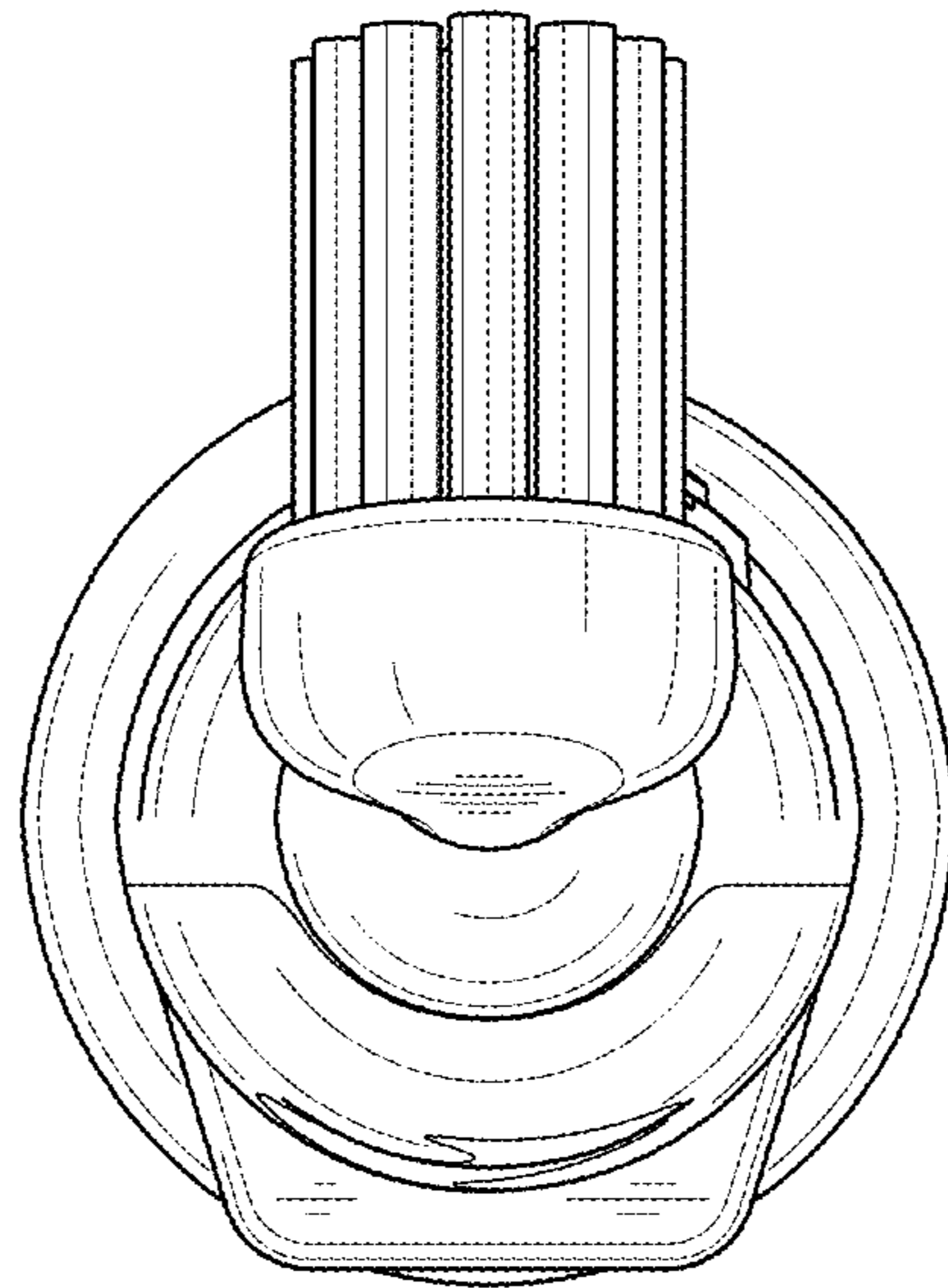


FIG. 7

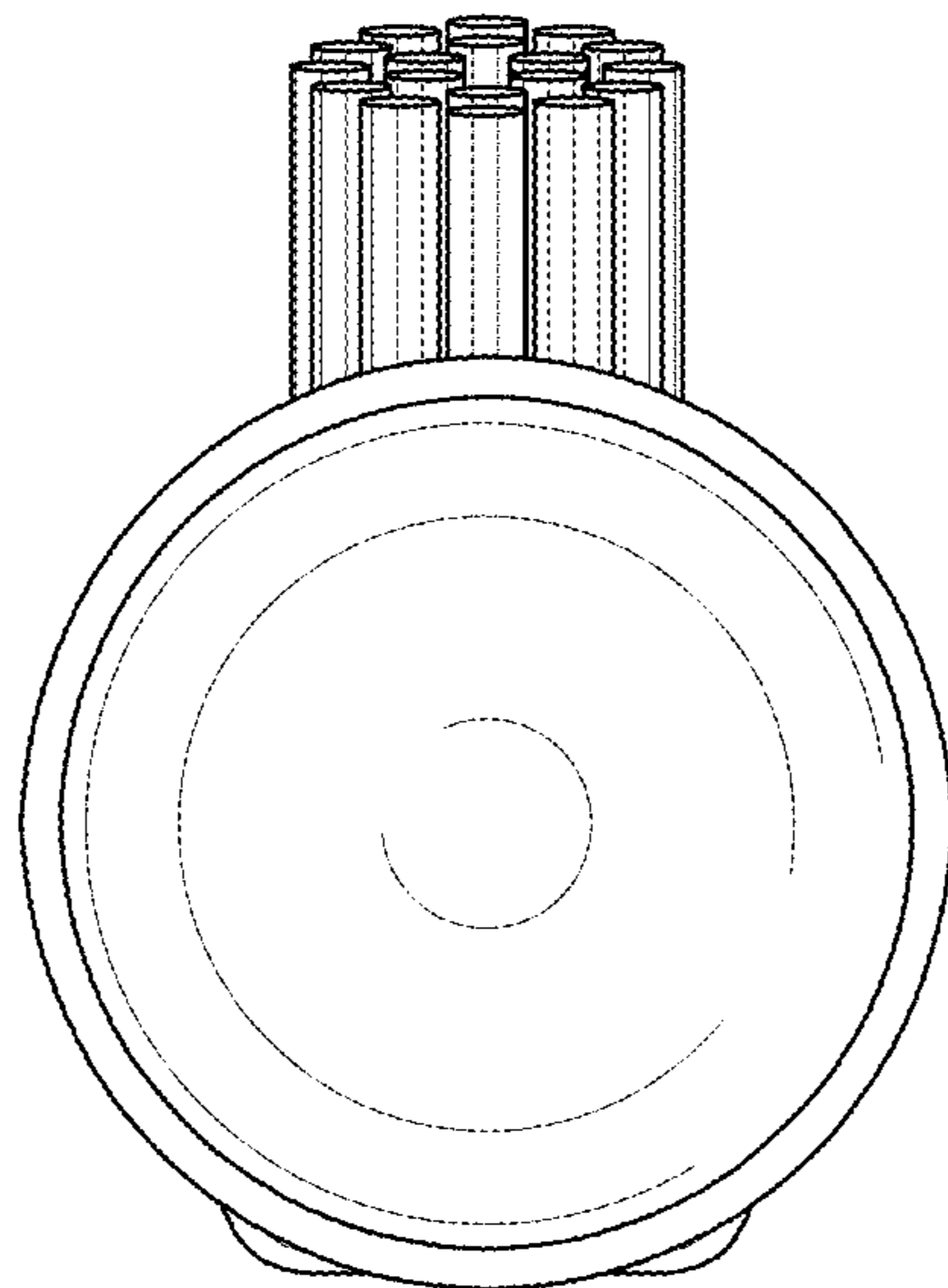


FIG. 8