



US00D817001S

(12) **United States Design Patent**  
**Sedic**

(10) **Patent No.:** **US D817,001 S**

(45) **Date of Patent:** **\*\* May 8, 2018**

(54) **TOOTHBRUSH WITH A CURVED HEAD**

(71) Applicant: **Filip Sedic**, Shanghai (CN)

(72) Inventor: **Filip Sedic**, Shanghai (CN)

(\*\*) Term: **15 Years**

(21) Appl. No.: **29/610,615**

(22) Filed: **Jul. 13, 2017**

**Related U.S. Application Data**

(63) Continuation of application No. 29/580,017, filed on Oct. 5, 2016, now Pat. No. Des. 795,590, which is a continuation of application No. 29/477,432, filed on Dec. 20, 2013, now Pat. No. Des. 771,952.

(51) **LOC (11) Cl.** ..... **04-02**

(52) **U.S. Cl.**  
USPC ..... **D4/101**

(58) **Field of Classification Search**  
USPC ..... D4/101, 108, 104, 105, 106, 110, 130,  
D4/132, 134, 136, 137, 138, 139  
CPC .. A46B 3/00; A46B 3/005; A46B 3/04; A46B  
5/02; A46B 5/021; A46B 9/02; A46B  
9/04; A46B 9/028; A46B 7/02; A46B  
2200/1006; A46B 2200/108; A61C 17/22  
See application file for complete search history.

(56) **References Cited**

**U.S. PATENT DOCUMENTS**

659,593	A	10/1900	Richards
1,327,757	A	1/1920	Eggers
D59,127	S	9/1921	Perrault
2,225,331	A	12/1940	Campbell
3,734,106	A	5/1973	Zimmerman
D368,373	S	4/1996	Shimatsu
D402,116	S	12/1998	Magloff et al.
5,956,796	A	9/1999	Lodato

D419,774	S	2/2000	Langue
D444,303	S	7/2001	Reille
D458,027	S	6/2002	Ferber
D463,914	S	10/2002	Ferber
6,490,760	B1	12/2002	Lauer et al.
D469,959	S	2/2003	Beydoun
D474,026	S	5/2003	Wright
D479,915	S	9/2003	De Salvo

(Continued)

**FOREIGN PATENT DOCUMENTS**

CN	201070108	6/2008
FR	2909532	6/2008

(Continued)

*Primary Examiner* — Karen E Eldridge Powers

(74) *Attorney, Agent, or Firm* — Evan Feldstein

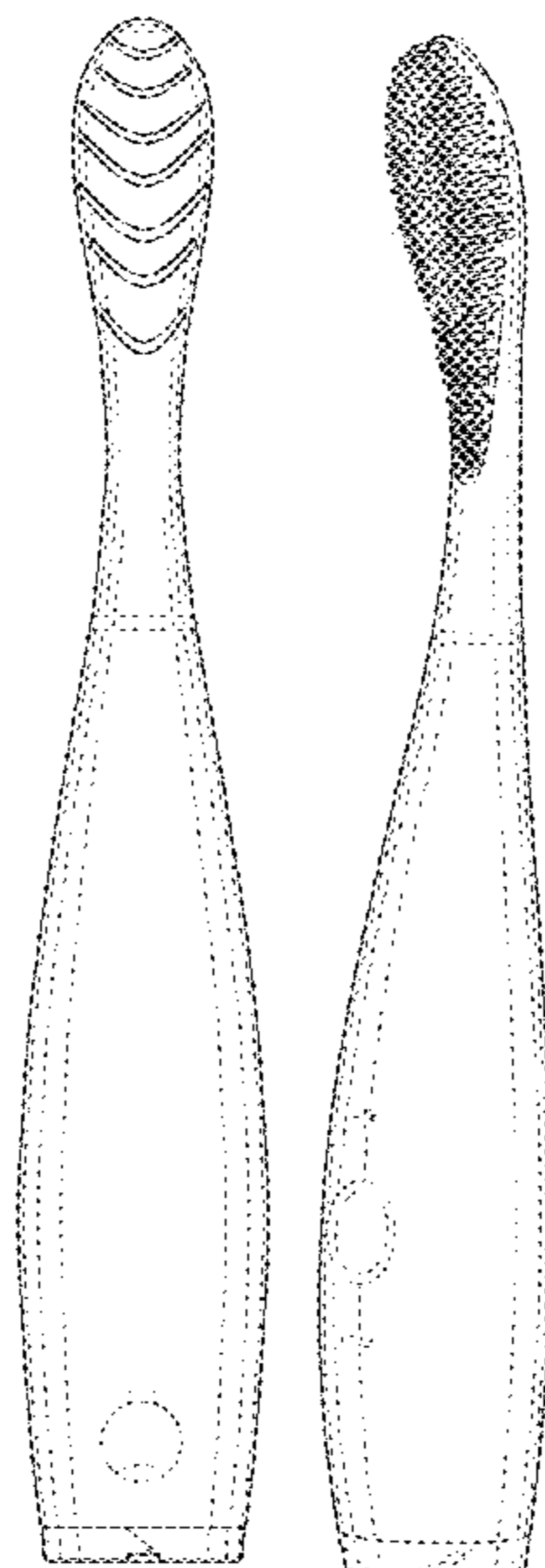
(57) **CLAIM**

I claim the ornamental design for a toothbrush with a curved head, as shown and described.

**DESCRIPTION**

FIG. 1 is a front view of a toothbrush with a curved head. FIG. 2 is a right side view of the toothbrush with a curved head. FIG. 3 is a rear view of the toothbrush with a curved head. FIG. 4 is a left side view of the toothbrush with a curved head. FIG. 5 is a perspective view of the toothbrush with a curved head. FIG. 6 is a bottom view of the toothbrush with a curved head; and, FIG. 7 is a top view of the toothbrush with a curved head. The portions of the toothbrush with a curved head shown with broken lines in the drawing figures are features of the article of manufacture that form no part of the claimed design.

**1 Claim, 6 Drawing Sheets**



(56)

**References Cited**

U.S. PATENT DOCUMENTS

D489,534	S	5/2004	Hensel	
D503,852	S	4/2005	Hensel	
D536,452	S	2/2007	Geiberger et al.	
D578,772	S	10/2008	Provost et al.	
D611,254	S	3/2010	Lee	
D617,563	S	6/2010	Wagner	
D639,068	S	6/2011	Cobabe et al.	
D669,687	S	10/2012	Heil et al.	
D676,662	S	2/2013	Jimenez et al.	
8,549,693	B2	10/2013	Gruber et al.	
D693,581	S	11/2013	Ballmaier et al.	
D710,109	S	8/2014	Nanda	
D774,308	S *	12/2016	Sedic .....	D4/101
D790,224	S *	6/2017	Shen .....	D4/101
D795,590	S *	8/2017	Sedic .....	D4/101
2002/0004964	A1	1/2002	Luchino	
2003/0037391	A1	2/2003	Pfenniger et al.	
2005/0241091	A1	11/2005	Foster et al.	
2006/0064833	A1	3/2006	Jacobs	
2007/0050931	A1	3/2007	Jimenez et al.	
2007/0251034	A1	11/2007	Meressa et al.	
2008/0196184	A1	8/2008	Dooley	
2010/0024143	A1	2/2010	Dickie	
2011/0010874	A1	1/2011	Dickie	
2011/0151404	A1	6/2011	Dombrowski	
2013/0061412	A1	3/2013	Vashi	
2015/0283401	A1	10/2015	Cha	

FOREIGN PATENT DOCUMENTS

KR	10-2012-0026955	3/2012
WO	WO2005096882	10/2005

\* cited by examiner

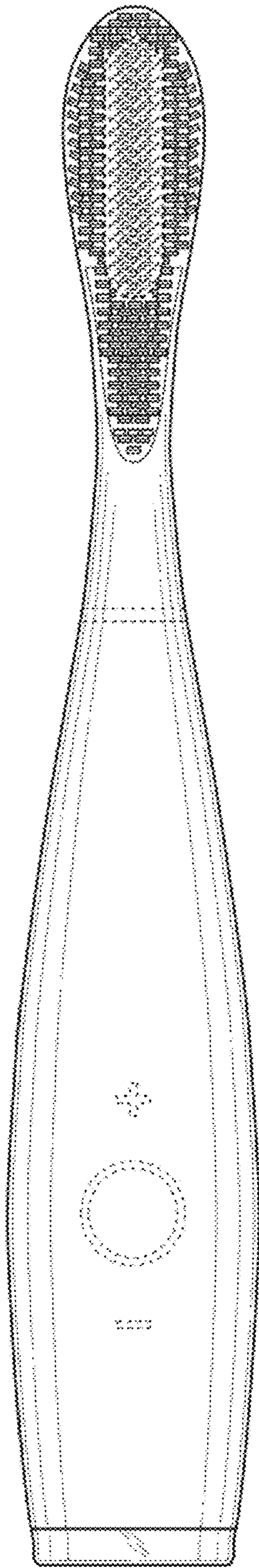


FIG. 1

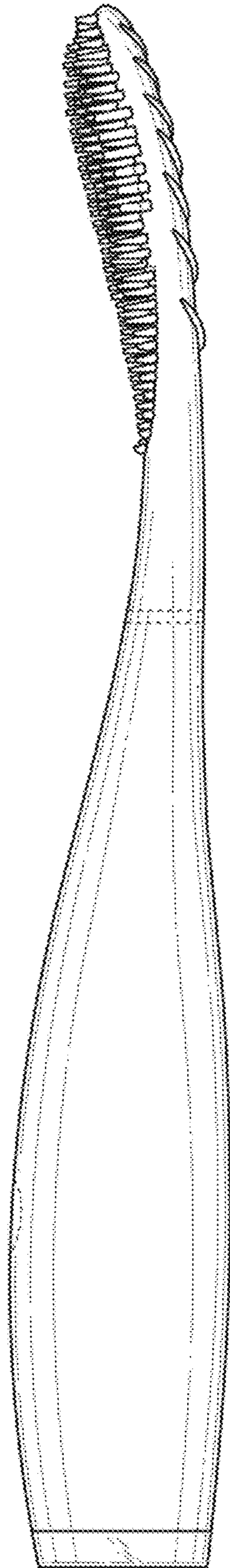


FIG. 2

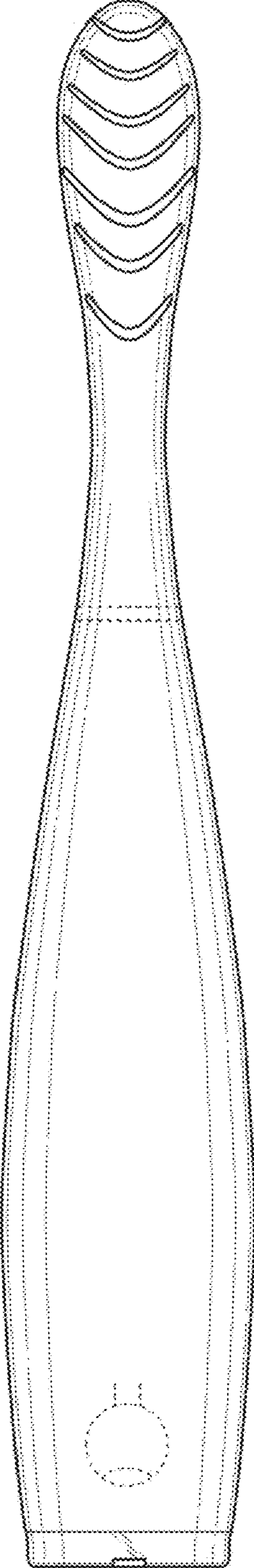


FIG. 3

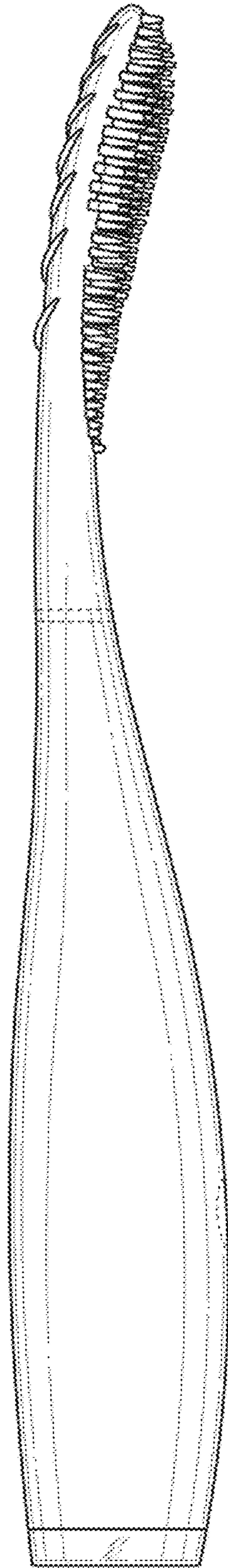


FIG. 4

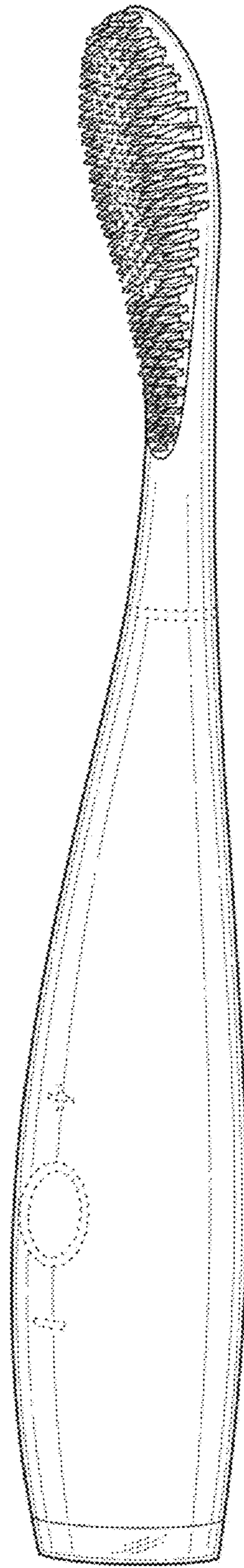


FIG. 5

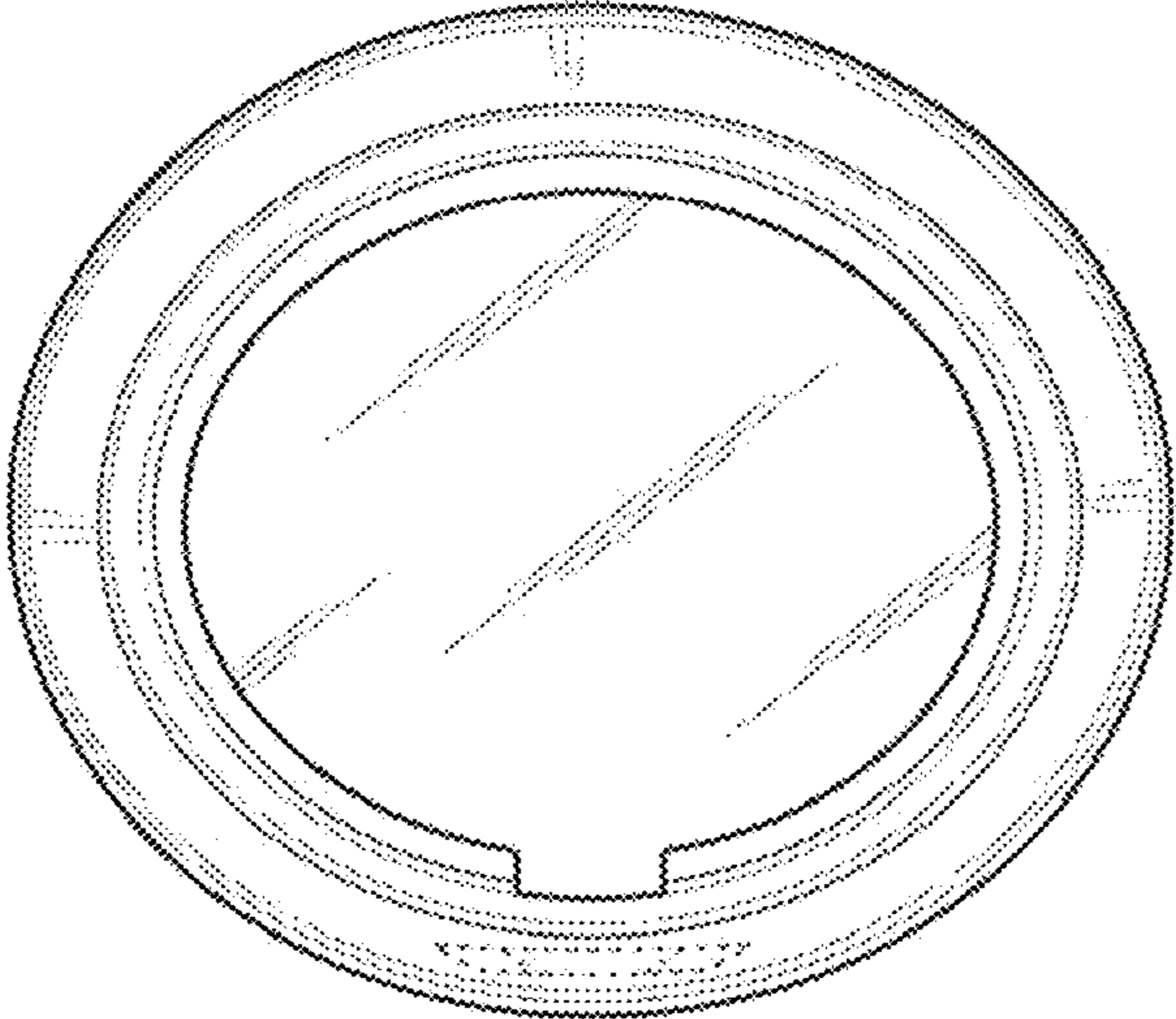


FIG. 6

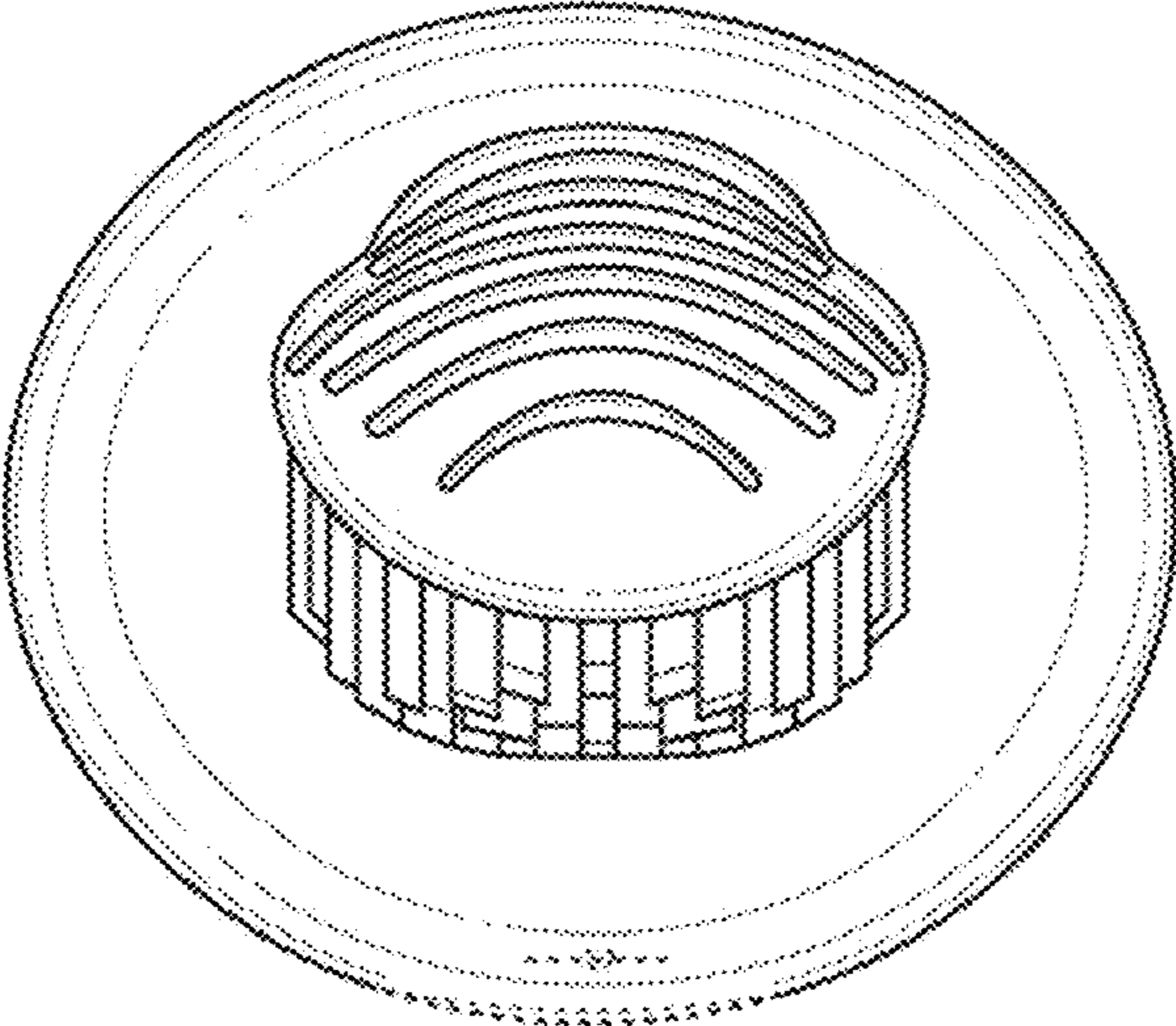


FIG. 7