



US00D816995S

(12) **United States Design Patent**  
**Fleming et al.**

(10) **Patent No.:** **US D816,995 S**

(45) **Date of Patent:** **\*\* May 8, 2018**

(54) **STORAGE CONTAINER**

B65D 2543/00425; B65D 85/60; B65D 43/162

(71) Applicants: **Kristie Fleming**, Alpharetta, GA (US);  
**James Waide Fleming**, Alpharetta, GA (US)

See application file for complete search history.

(72) Inventors: **Kristie Fleming**, Alpharetta, GA (US);  
**James Waide Fleming**, Alpharetta, GA (US)

(56) **References Cited**

U.S. PATENT DOCUMENTS

(\*\*) Term: **15 Years**

(21) Appl. No.: **29/588,891**

2,396,346	A *	3/1946	Roody, Jr. ....	A45C 11/20 206/509
D306,182	S *	2/1990	Ukisu .....	D3/271.1
D308,340	S *	6/1990	Ilsen .....	D3/302
5,036,997	A *	8/1991	May .....	B65D 43/24 220/4.22
D327,220	S *	6/1992	Proffitt .....	D9/423
D332,917	S *	2/1993	McDevitt .....	D9/423
5,213,226	A *	5/1993	Nichols .....	A47J 36/027 220/263
D384,502	S *	10/1997	Seager .....	D3/294
D409,484	S *	5/1999	Tasker .....	D9/423
D473,137	S *	4/2003	Cadiente .....	B65D 43/162 D9/423

(22) Filed: **Dec. 23, 2016**

(51) **LOC (11) Cl.** ..... **03-01**

(52) **U.S. Cl.**  
USPC ..... **D3/294**

(58) **Field of Classification Search**  
USPC ..... D9/414, 420-426, 429-432, 737,  
D9/756-762; D7/538, 540-542, 550.1,  
D7/553.1-553.3, 554.1, 554.3, 554.4, 555,  
D7/557, 584, 586, 601, 602, 610, 611,  
D7/614, 615, 701, 703, 707, 708;  
D3/206, 270, 294, 273, 203.3, 276, 282,  
D3/284, 293, 295-298, 302, 315, 901,  
D3/903, 905; 206/488, 457, 776, 551,  
206/754, 755, 804, 817, 589, 579;  
220/780-806, 475, 674, 675, 4.21-4.24,  
220/555, 556, 810, 836, 837, 841, 366.1,  
220/467; 229/906, 902, 904, 406, 407,  
229/903, 110; 426/106

CPC .... B65D 21/0223; B65D 75/24; B65D 75/32;  
B65D 75/324; B65D 81/025; B65D 1/36;  
B65D 2543/00194; B65D 2543/00296;  
B65D 2543/00203; B65D 2543/00351;

(Continued)

*Primary Examiner* — Cathron C Brooks  
*Assistant Examiner* — W. A. Teddy Falloway  
(74) *Attorney, Agent, or Firm* — Ballard Spahr LLP

(57) **CLAIM**

The ornamental design for a storage container, as shown and described.

**DESCRIPTION**

FIG. 1 is a top perspective view of a storage container of the present invention.  
FIG. 2 is a rear perspective view of a storage container of FIG. 1.  
FIG. 3 is a front elevational view of the storage container of FIG. 1.  
FIG. 4 is a rear elevational view of the storage container of FIG. 1.  
FIG. 5 is a right side elevational view of the storage container of FIG. 1; the left elevational view of the storage container being a mirror image thereof.  
FIG. 6 is a top plan view of the storage container of FIG. 1; and,

(Continued)

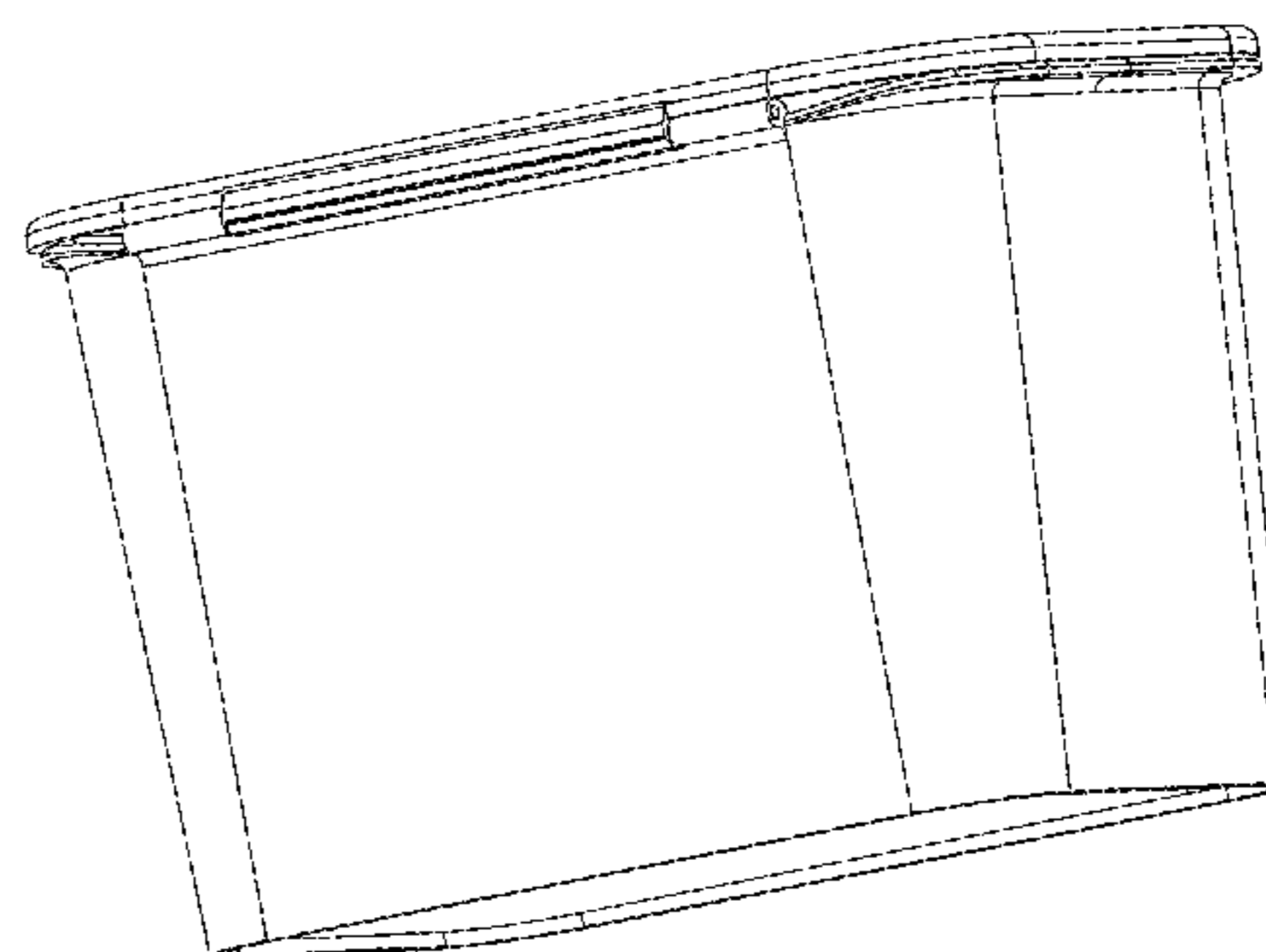
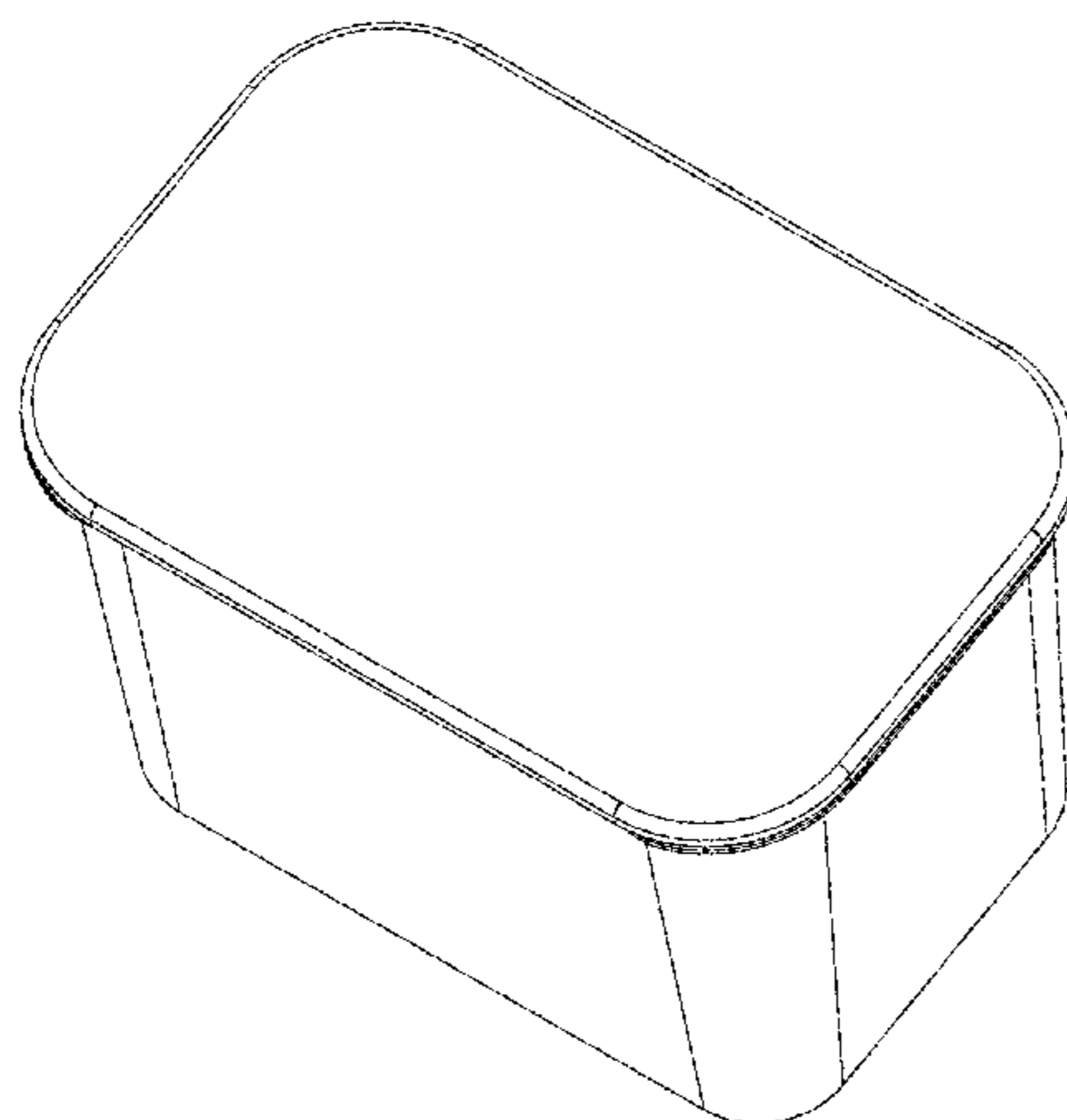


FIG. 7 is a bottom plan view of the storage container of FIG. 1.

**1 Claim, 7 Drawing Sheets**

(56)

**References Cited**

U.S. PATENT DOCUMENTS

D483,664 S *	12/2003	Cadiente .....	D9/418
7,055,690 B1 *	6/2006	Valdez .....	A47F 3/14
			206/215
D548,069 S *	8/2007	Sagel .....	D9/425
D639,065 S *	6/2011	Duvigneau .....	D3/302
D643,629 S *	8/2011	Sofy .....	D3/302
D655,577 S *	3/2012	Samartgis .....	D7/602
D655,578 S *	3/2012	Samartgis .....	D7/602
D663,614 S *	7/2012	Strilich .....	D9/424
D732,686 S *	6/2015	Lui .....	D24/227
D733,314 S *	6/2015	Lui .....	D24/227
D733,315 S *	6/2015	Lui .....	D24/227
D733,316 S *	6/2015	Lui .....	D24/227
D733,317 S *	6/2015	Lui .....	D24/227
D733,318 S *	6/2015	Lui .....	D24/227
D748,280 S *	1/2016	Lui .....	D24/227
D759,972 S *	6/2016	Duvigneau .....	D3/281
D762,875 S *	8/2016	Lui .....	D24/227
D784,629 S *	4/2017	Farrish .....	D3/273
D791,964 S *	7/2017	Lui .....	D24/227
2015/0060455 A1 *	3/2015	Chou .....	B65D 17/24
			220/270
2017/0341833 A1 *	11/2017	Tabone .....	B65D 55/06

\* cited by examiner

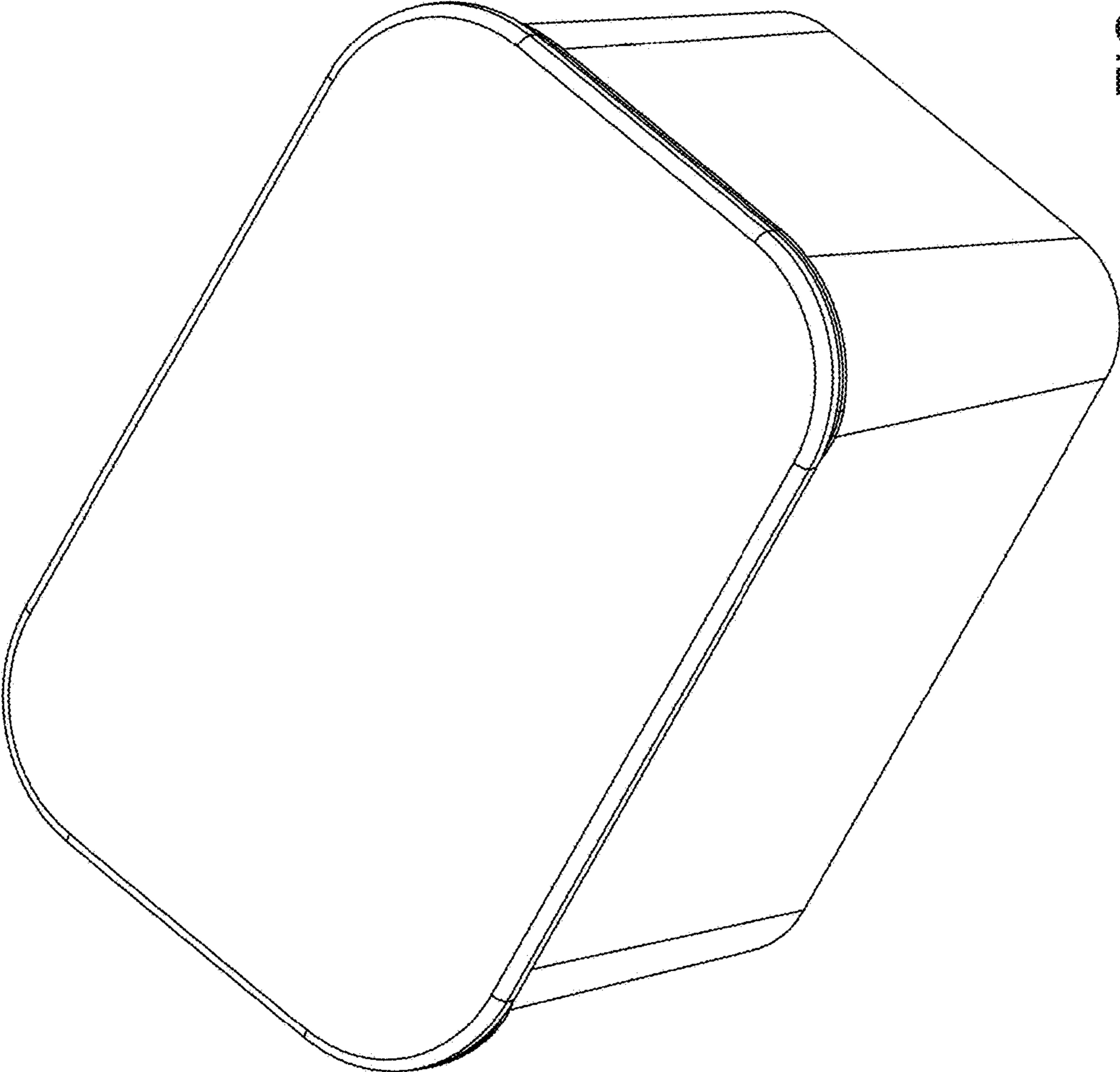


FIG. 1

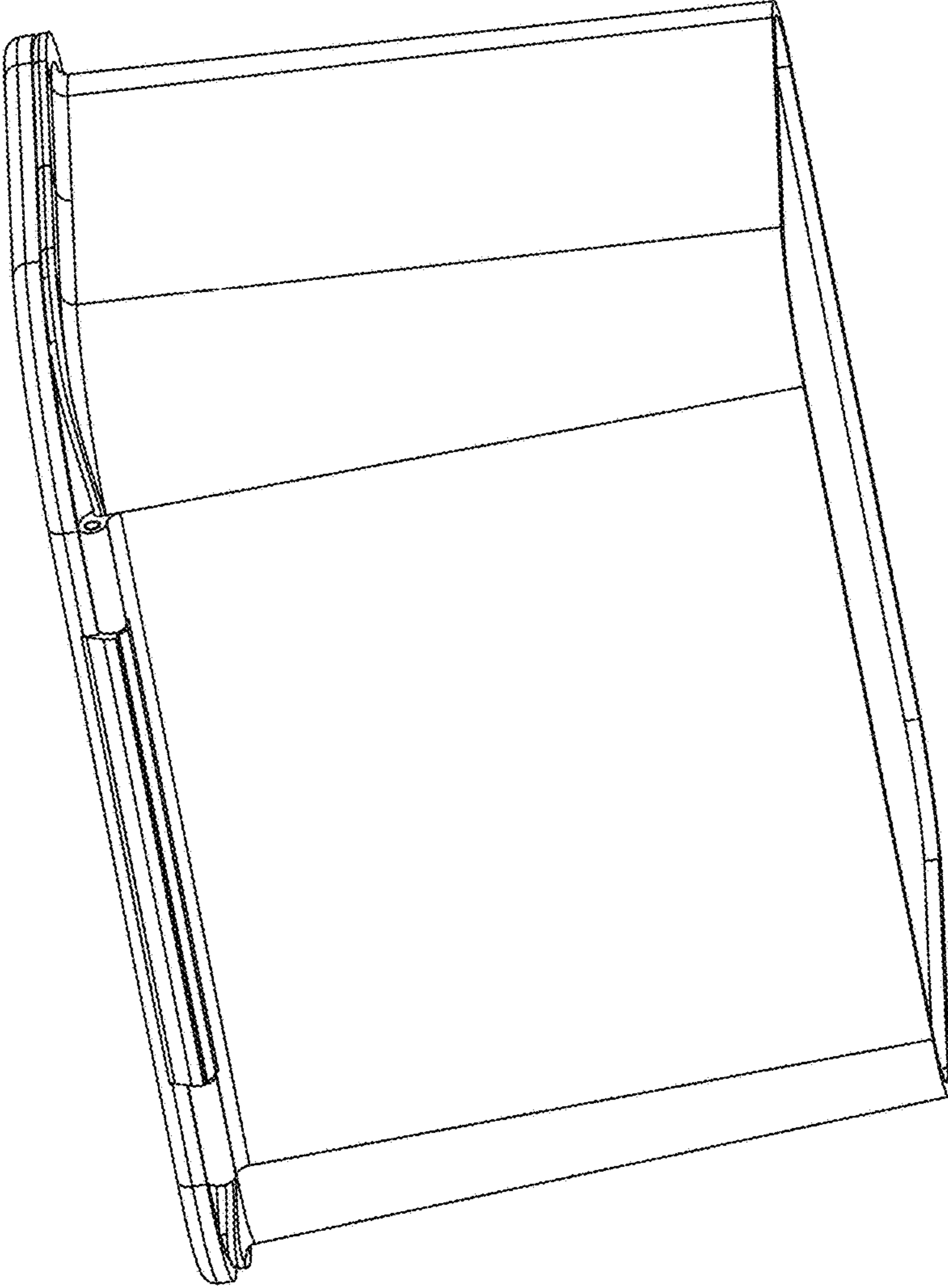


FIG. 2

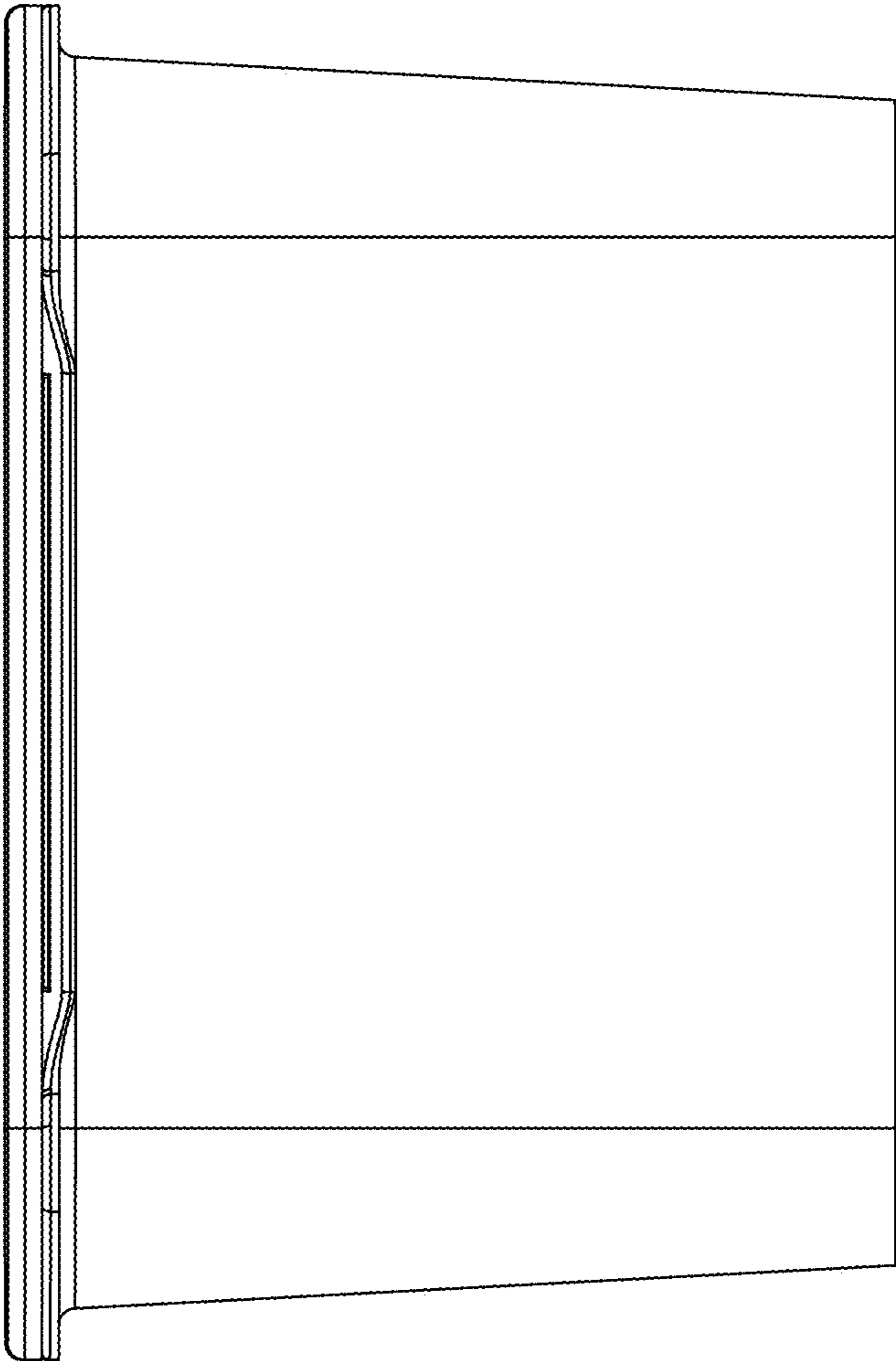


FIG. 3

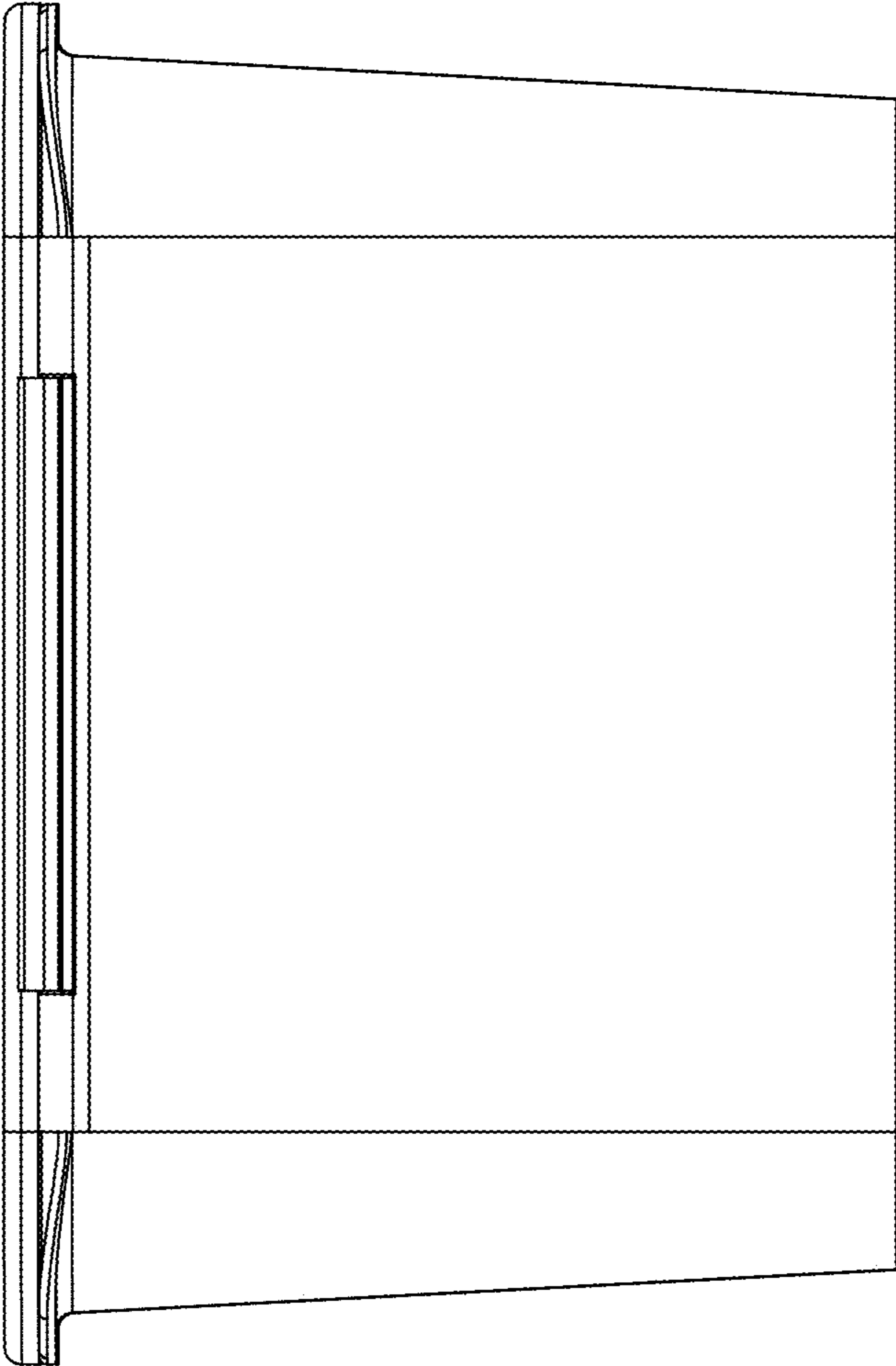


FIG. 4

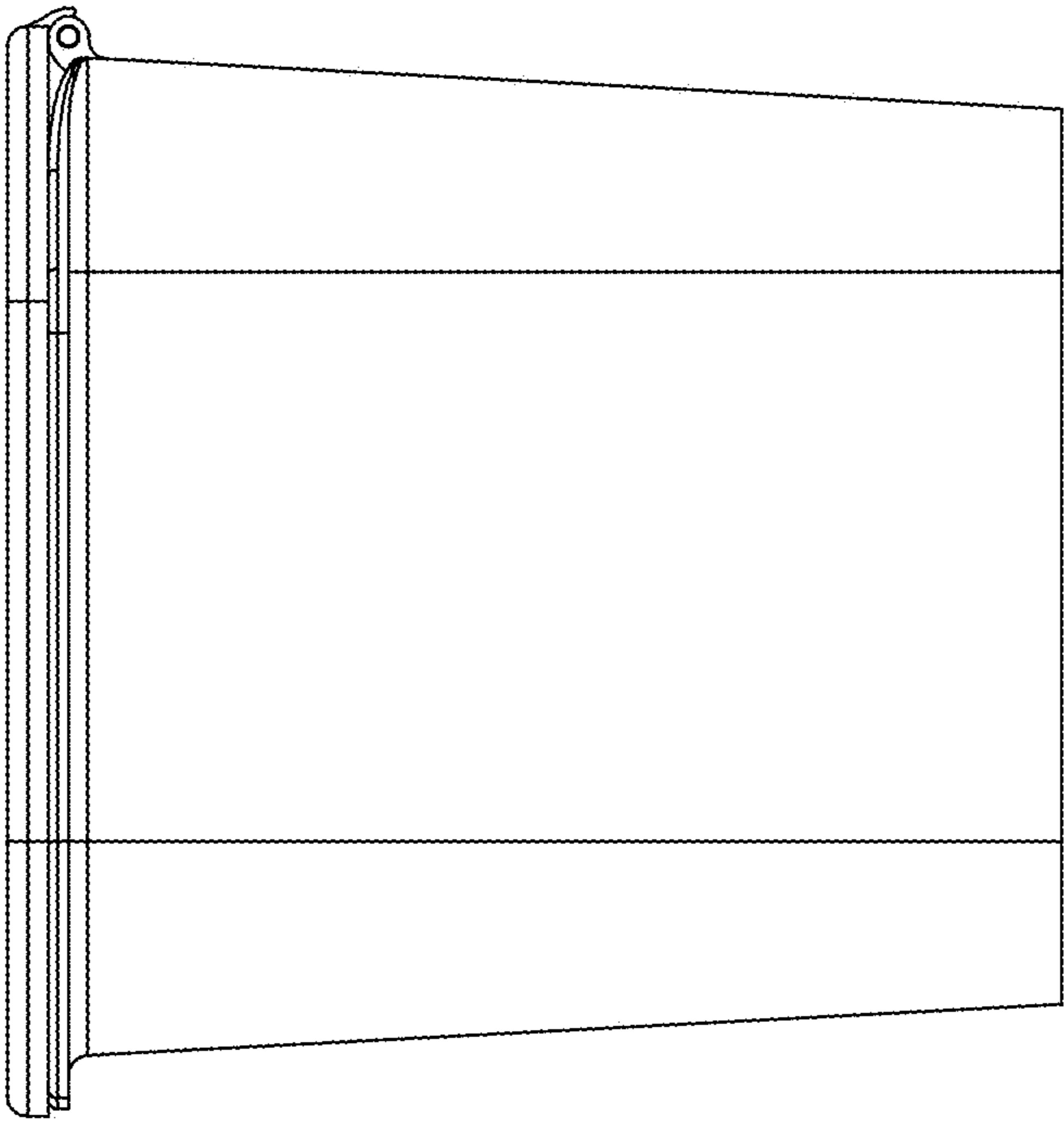


FIG. 5



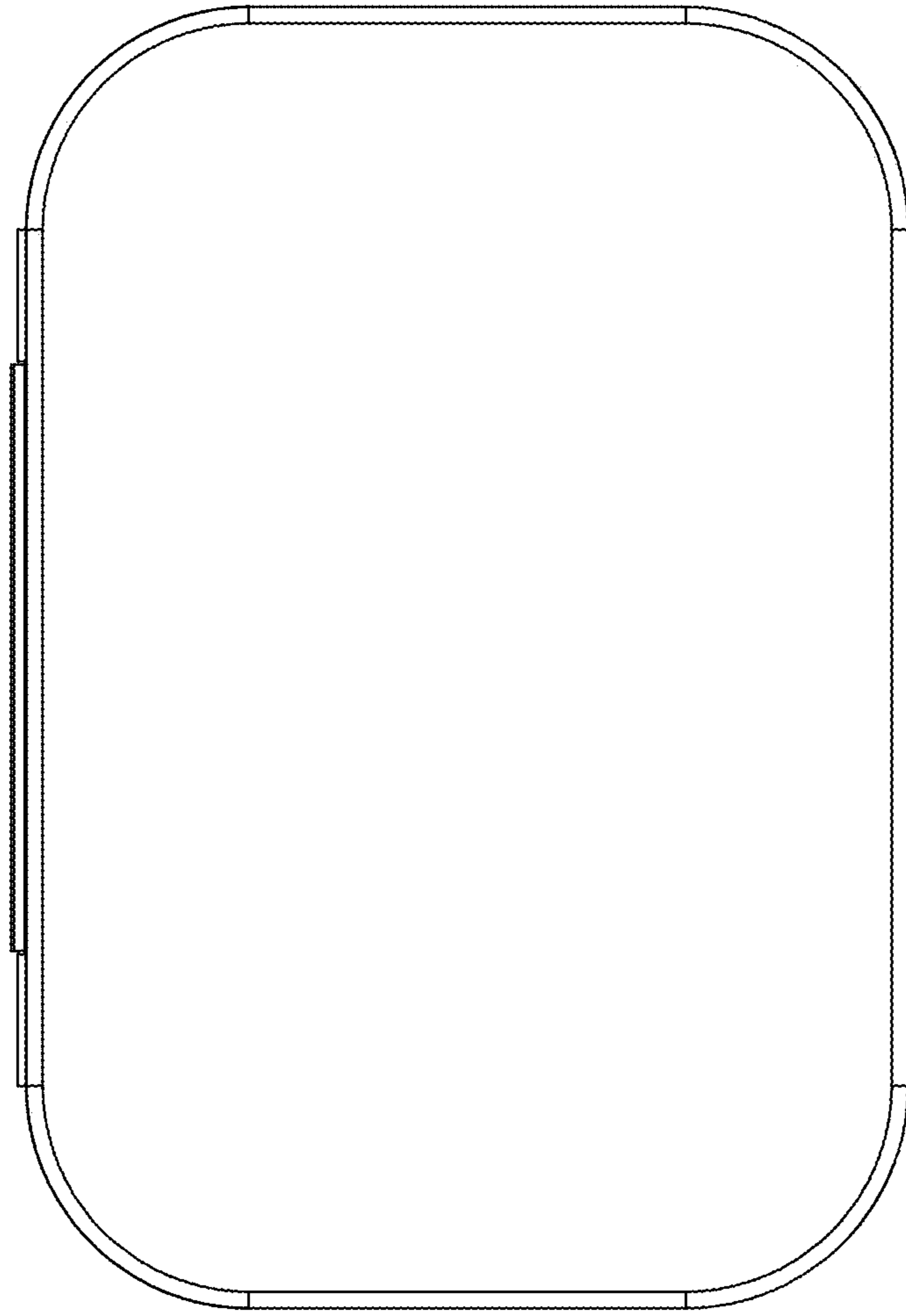


FIG. 6



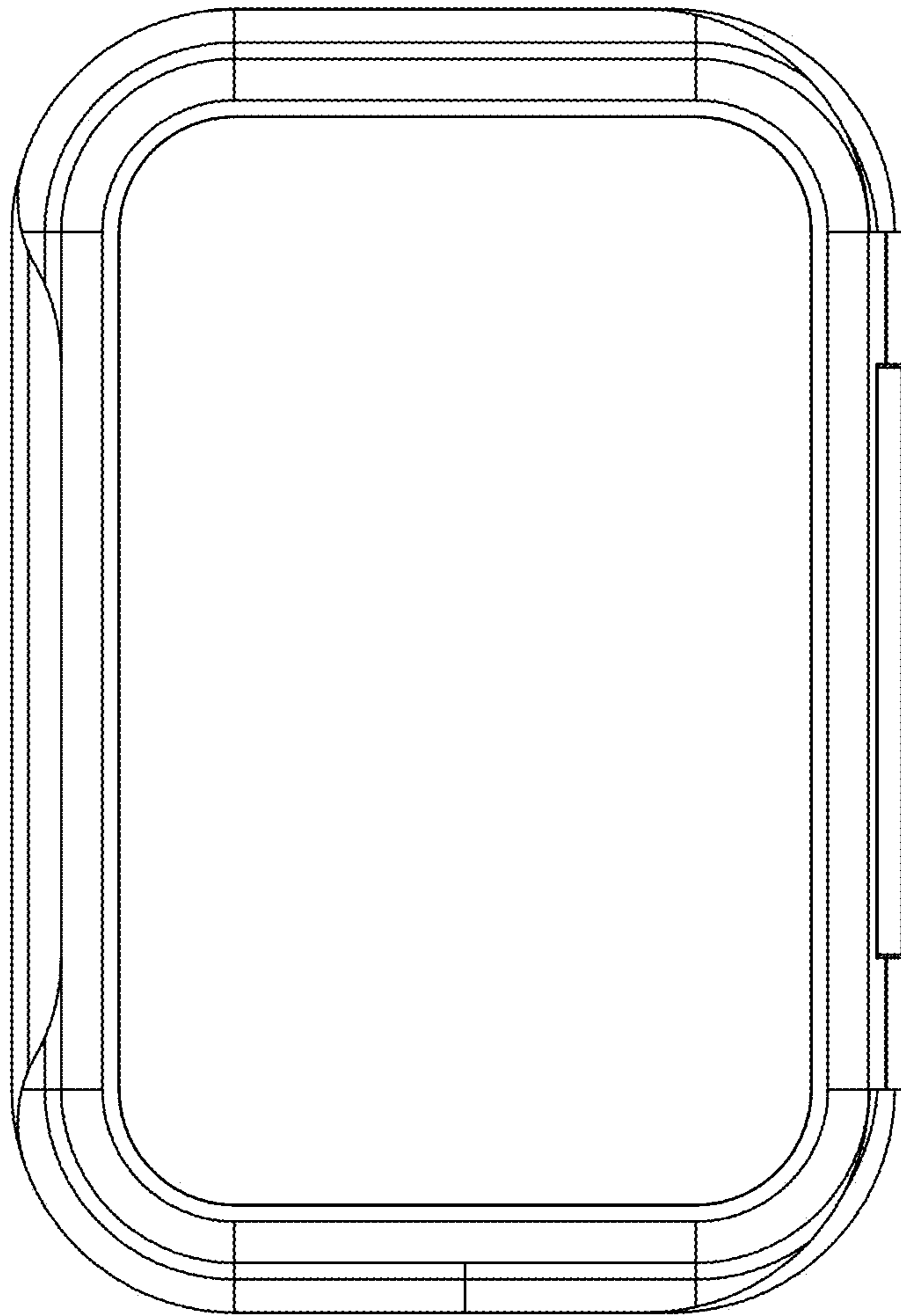


FIG. 7