



US00D816994S

(12) **United States Design Patent** (10) **Patent No.:** **US D816,994 S**
Fischer et al. (45) **Date of Patent:** **** May 8, 2018**

(54) **ELECTRONICS CASE**

(71) Applicant: **Harman International Industries, Incorporated**, Northridge, CA (US)

(72) Inventors: **Joshua Fischer**, Shenzhen (CN);
Juyoung Kim, Shenzhen (CN)

(73) Assignee: **Harman International Industries, Incorporated**, Northridge, CA (US)

(**) Term: **15 Years**

(21) Appl. No.: **29/584,019**

(22) Filed: **Nov. 10, 2016**

(51) **LOC (11) Cl.** **03-01**

(52) **U.S. Cl.**
USPC **D3/294**

(58) **Field of Classification Search**
USPC ... D3/294, 295, 201, 203.1–203.8, 205, 272,
D3/273, 301, 218; D13/110, 123, 146;
D14/188, 204, 205, 209.1, 216, 223;
D28/73, 76–82; D9/414, 420, 428, 418,
D9/426, 432; 206/235, 581, 823, 320,
206/37, 229, 363, 557; 320/107–115;
220/810, 825, 833–835
CPC A45D 33/006; A45D 40/22; A45C 5/005;
Y10S 206/823; B65D 85/00; H04R 1/10
See application file for complete search history.

(56) **References Cited**

U.S. PATENT DOCUMENTS

D75,502 S *	6/1928	Kasdan et al.	D28/82
D225,586 S *	12/1972	Stahl	D28/77
D253,218 S *	10/1979	Johnson	D7/352
D260,968 S *	9/1981	Pavia	D9/428
D318,346 S *	7/1991	Bakic	D28/82
D319,897 S *	9/1991	Bakic	D28/82
D342,808 S *	12/1993	Bakic	D28/82

D349,207 S *	8/1994	Wolff	D6/536
D363,569 S *	10/1995	Lai	D28/82
D372,862 S *	8/1996	Fiori	D9/428

(Continued)

OTHER PUBLICATIONS

JBL Changing Case for Bluetooth Headphones | CES 2017 | Crutchfield video (via YouTube.com), available Jan. 20, 2017, [online], [site visited Oct. 12, 2017]. Video available from internet, <URL: https://www.youtube.com/watch?v=madpbcUsKOA (Year: 2017).*

(Continued)

Primary Examiner — Cathron C Brooks

Assistant Examiner — W. A. Teddy Falloway

(74) *Attorney, Agent, or Firm* — Plumsea Law Group, LLC

(57) **CLAIM**

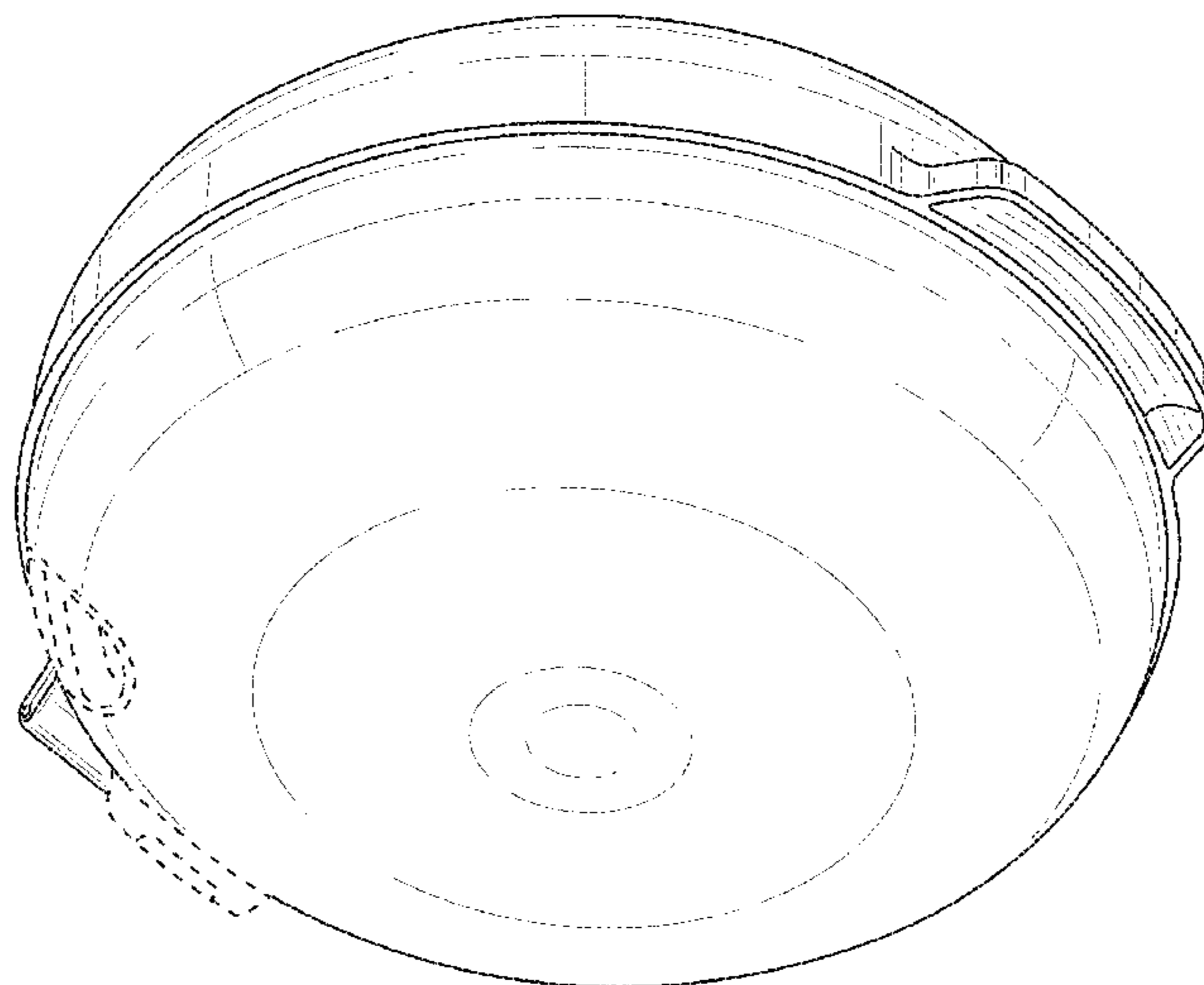
The ornamental design for an electronics case, as shown and described.

DESCRIPTION

FIG. 1 is a bottom isometric perspective view of an electronics case showing the new design; FIG. 2 is a front elevational view thereof; FIG. 3 is a rear elevational view thereof; FIG. 4 is a side elevational view of one side thereof; FIG. 5 is a side elevational view of the opposite side thereof; FIG. 6 is a top plan view thereof; and, FIG. 7 is a bottom plan view thereof.

The broken lines shown in the figures that are immediately adjacent to the shaded areas and define unshaded regions, represent the bounds of the claim. All other broken lines are directed to portions of the electronics case. The broken lines form no part of the claimed design. The shading illustrated in the figures is provided merely to represent the contours of the design and is not intended to be illustrative of, for example, texture, material, gloss, translucence, transparency, or surface decoration.

1 Claim, 7 Drawing Sheets



(56)

References Cited

U.S. PATENT DOCUMENTS

D391,944 S * 3/1998 Han D14/356
 D408,590 S * 4/1999 Litton D28/82
 5,908,037 A * 6/1999 Pierson A45D 33/006
 132/293
 D424,751 S * 5/2000 Kudo D28/78
 D433,994 S * 11/2000 Jobs D13/110
 6,173,719 B1 * 1/2001 Petit A45D 33/008
 132/293
 D439,376 S * 3/2001 Lerolle D28/82
 D443,726 S * 6/2001 Faillant-Dumas D28/82
 D502,317 S * 3/2005 Zuther D3/302
 D531,159 S * 10/2006 Park D14/203.3
 D531,400 S * 11/2006 Hornsby D3/203.4
 D546,670 S * 7/2007 Sainz D9/420
 D550,077 S * 9/2007 Lagreca D9/428
 D554,614 S * 11/2007 Lin D14/509
 D603,704 S * 11/2009 Jost D9/449
 D649,323 S * 11/2011 Ashiwa 82/52
 D654,866 S * 2/2012 Rautiainen D13/108
 D681,877 S * 5/2013 Curry D28/7
 D693,625 S * 11/2013 Facey D7/354
 D707,567 S * 6/2014 Callaghan D9/730
 D724,786 S * 3/2015 Jung D28/82
 D740,692 S * 10/2015 Christie D9/748
 D742,070 S * 10/2015 Park D28/82
 D752,024 S * 3/2016 Kachwalla D14/216
 D752,807 S * 3/2016 Young D23/362
 D770,417 S * 11/2016 Chen D14/216
 D777,530 S * 1/2017 Marret D7/629
 D777,984 S * 1/2017 Son D28/82
 D793,624 S * 8/2017 Hwang D28/82
 D795,059 S * 8/2017 Buck D9/428

D801,305 S * 10/2017 Vaclavik D14/215
 D801,312 S * 10/2017 Birger H04R 1/1016
 D14/223
 D803,191 S * 11/2017 Luo D14/216
 2003/0111359 A1 * 6/2003 Seliga A24F 23/00
 206/37
 2008/0190444 A1 * 8/2008 Bennett A45D 33/006
 132/306
 2012/0305606 A1 * 12/2012 Lee A45D 33/02
 222/256
 2015/0265019 A1 * 9/2015 Niedzwiecki A45C 11/008
 132/315

OTHER PUBLICATIONS

Smatree Charging Case S30 (via amazon.com), available Jun. 28, 2016, [online], [site visited Oct. 12, 2017]. Available from internet, <URL: <https://www.amazon.com/Smatree-Charging-Powerbeats-Wireless-Headphone/dp/B01D32BOV0> (Year: 2016).*

Mophie Power Capsule External Battery Charger (via amazon.com), available Nov. 28, 2016, [online], [site visited Oct. 12, 2017]. Available from internet, <URL: <https://www.amazon.com/mophie-Capsule-External-Battery-Wireless/dp/B01L28LWLE> (Year: 2016).*

Earbuds in Round Plastic Case, available Feb. 4, 2017, [online], [site visited Oct. 12, 2017]. Available from internet, <URL: <https://web.archive.org/web/20170204091801/https://www.hitpromo.net/product/show/2707/earbuds-in-round-plastic-case> (Year: 2017).*

Revlon New Complexion One Step Compact Makeup Review, available Feb. 10, 2012, [online], [site visited Oct. 12, 2017]. Available from internet, <URL: <https://makeupandbeauty.com/revlon-complexion-step-compact-makeup-review/> (Year: 2012).*

* cited by examiner

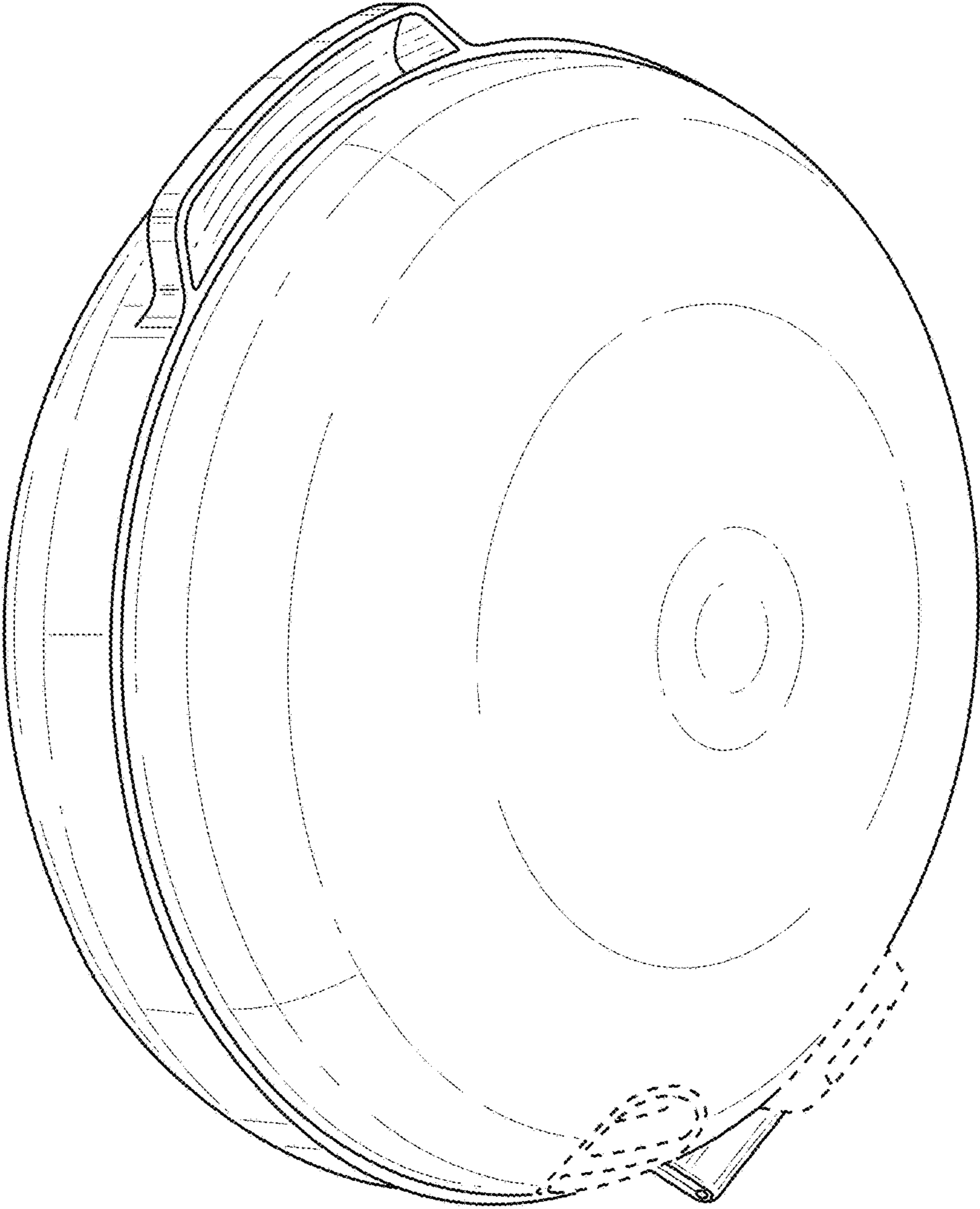


FIG. 1

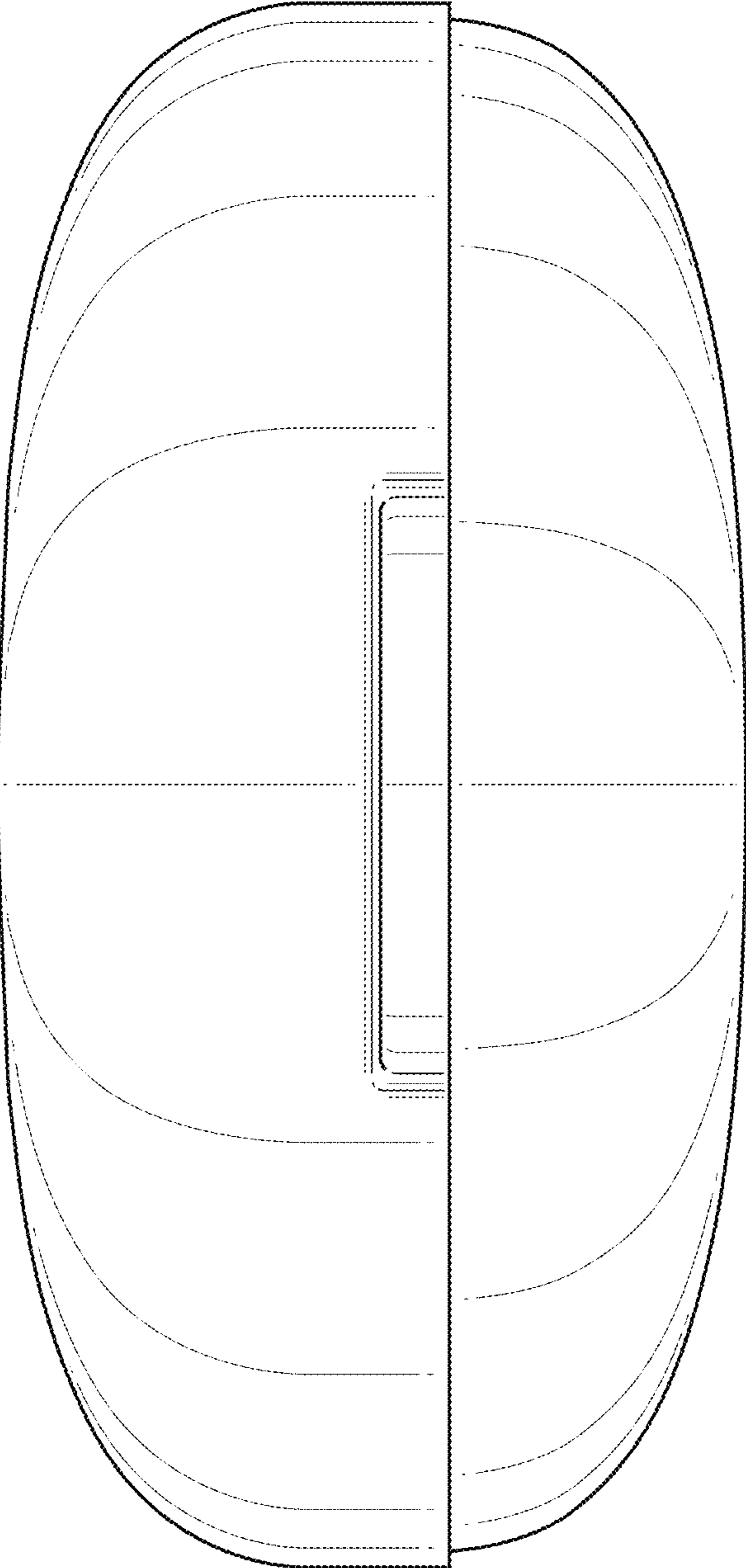


FIG. 2

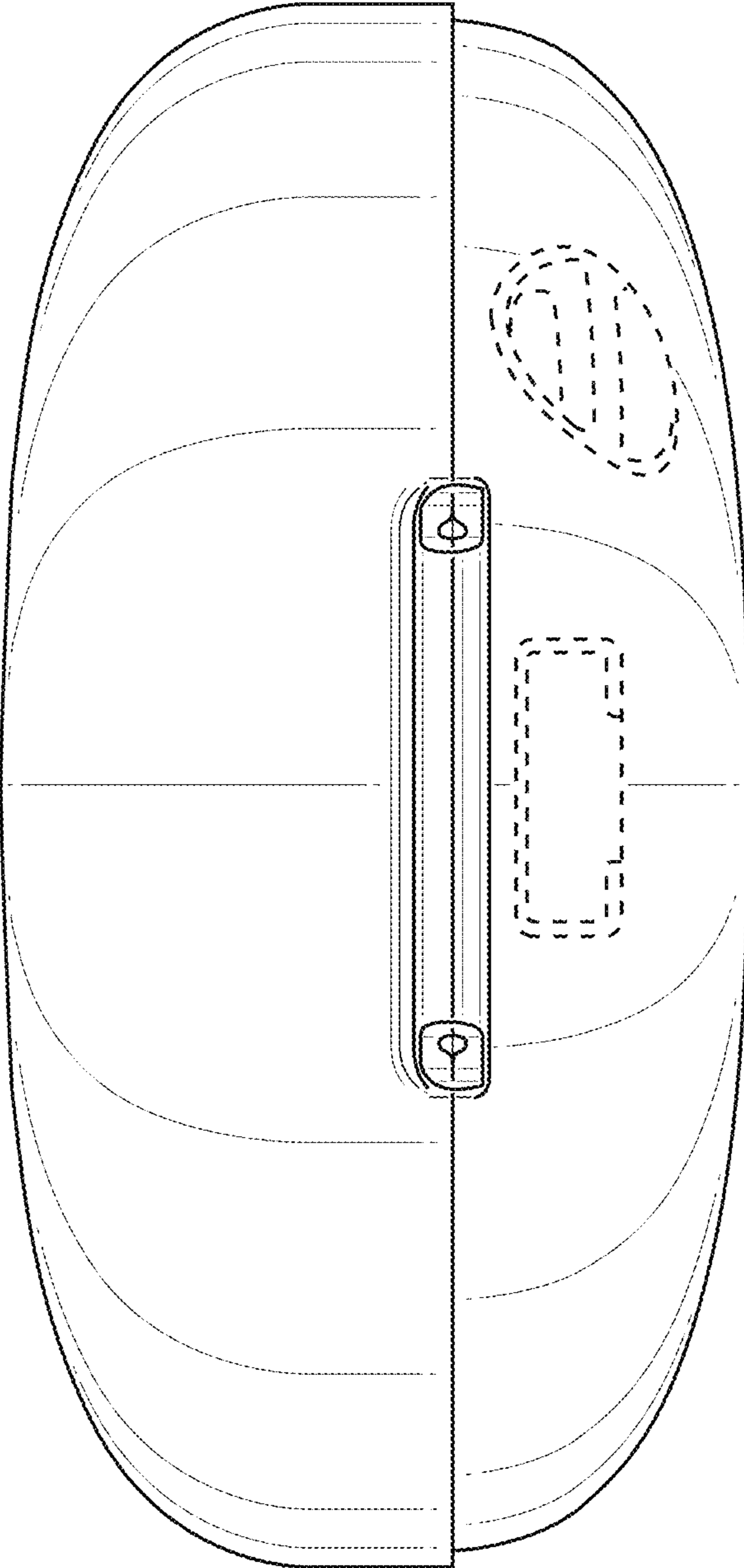


FIG. 3

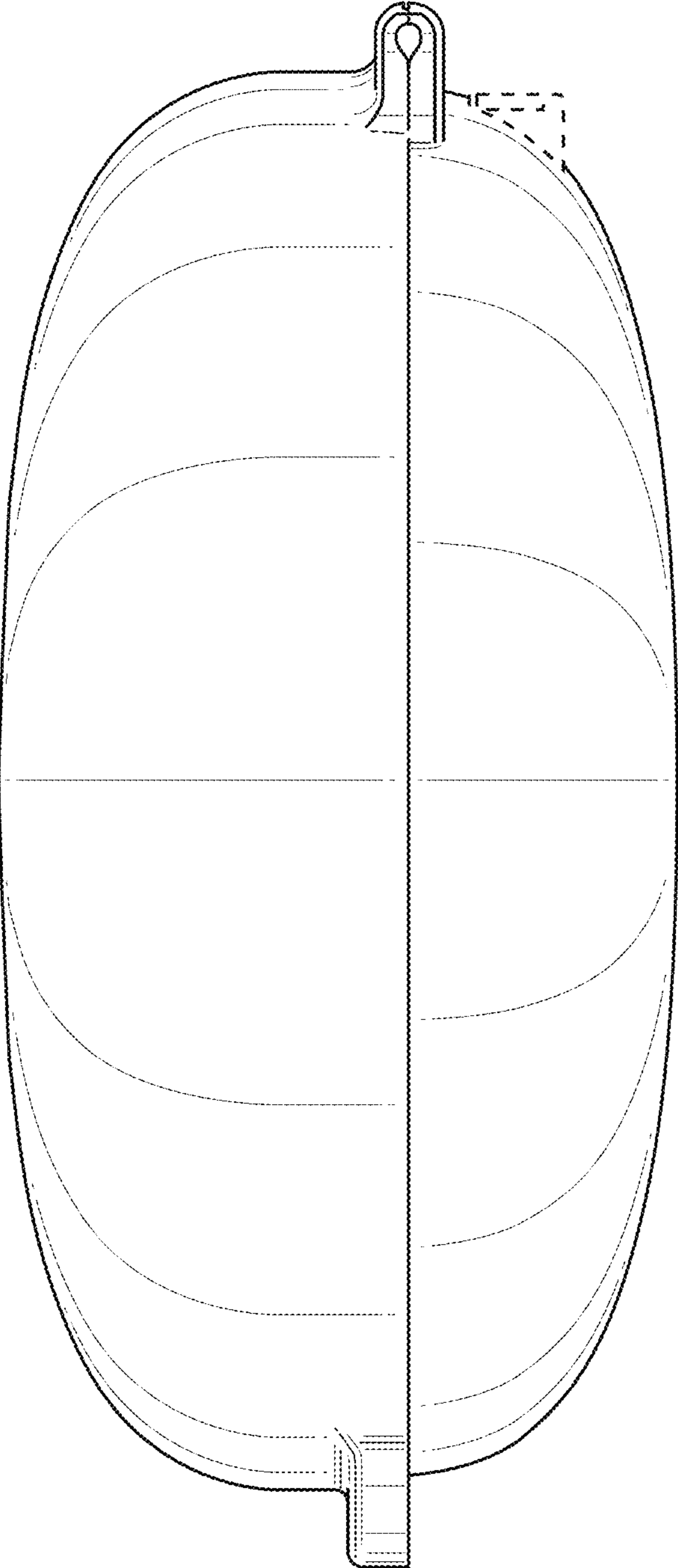


FIG. 4

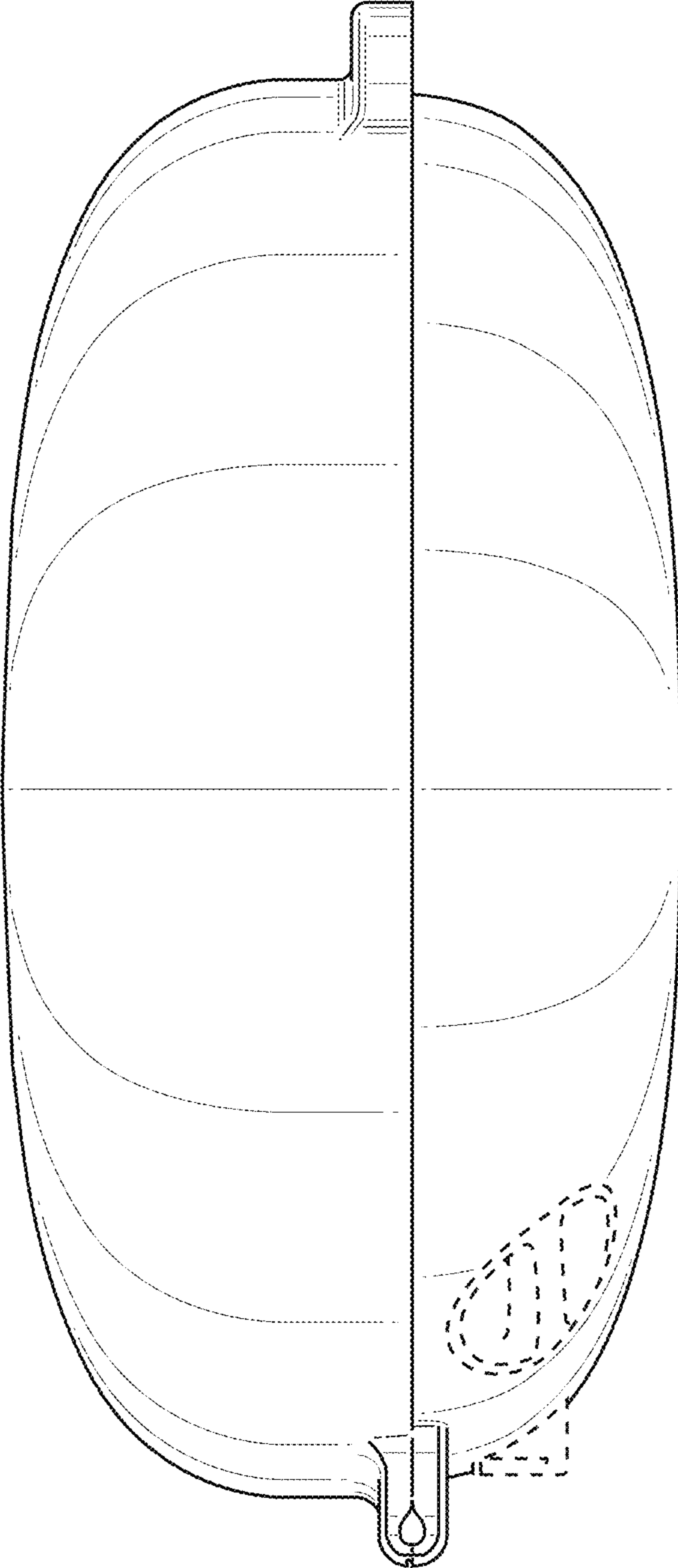


FIG. 5

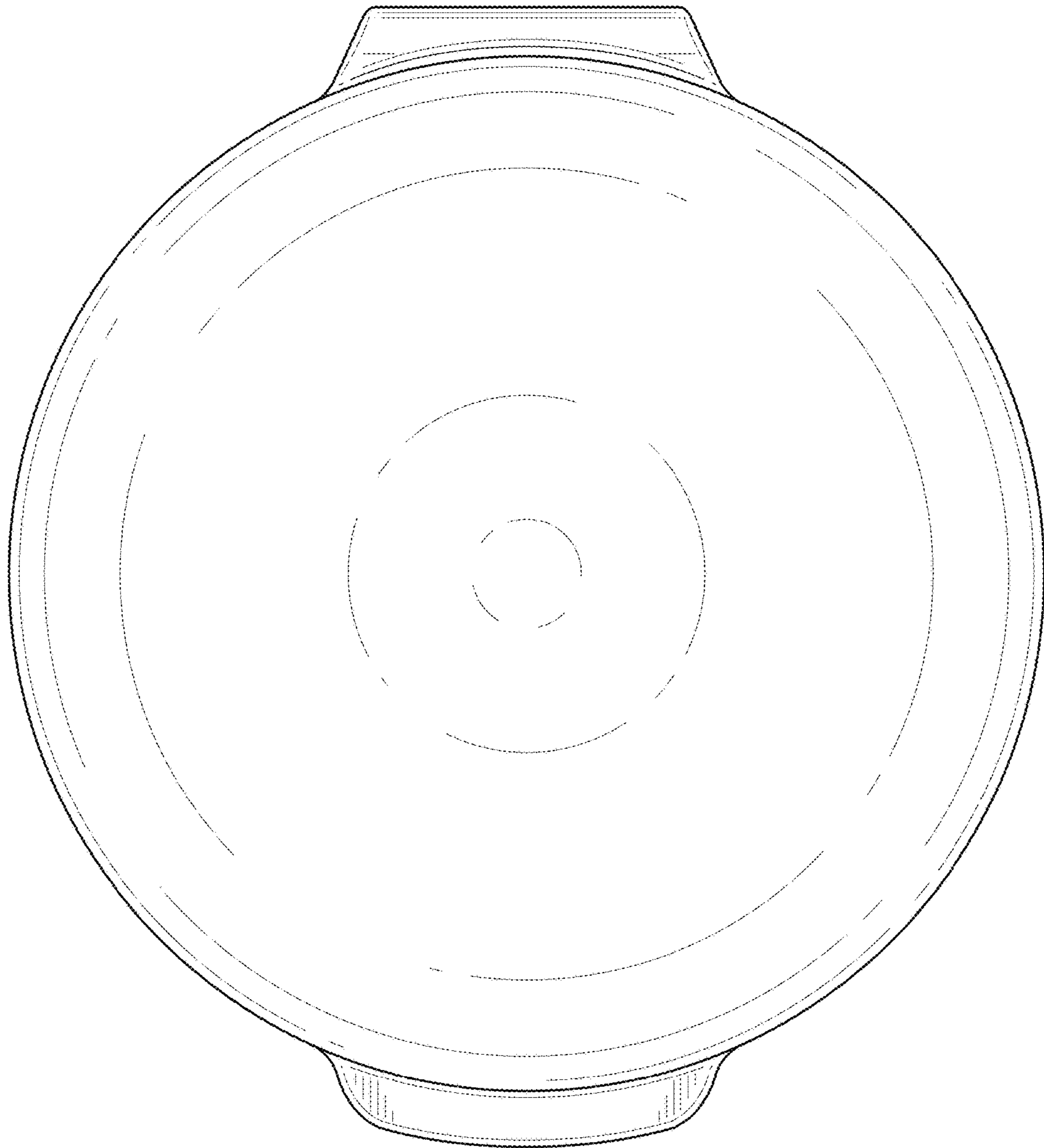


FIG. 6

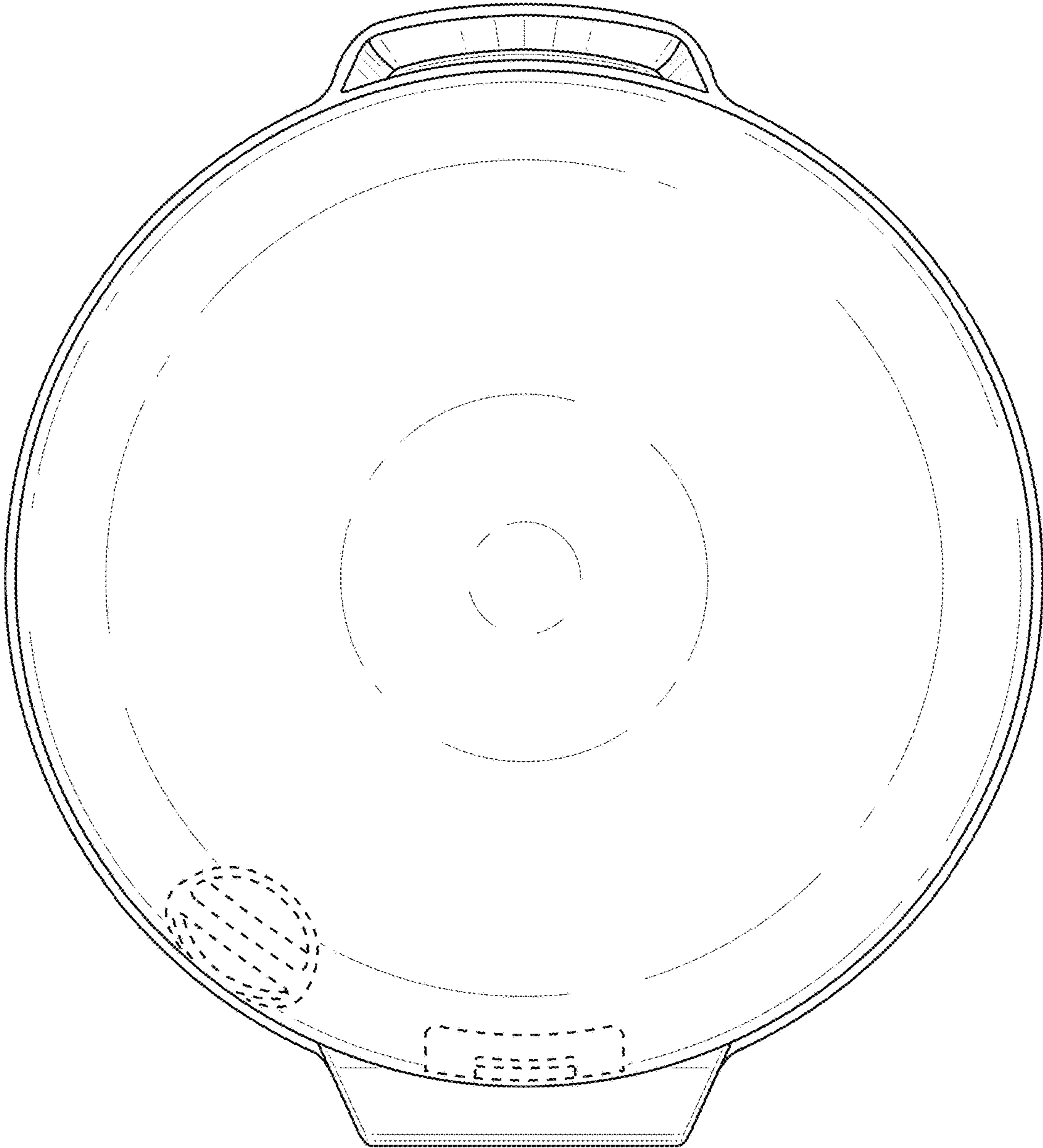


FIG. 7