



US00D816993S

(12) **United States Design Patent**
Zhu et al.

(10) **Patent No.:** **US D816,993 S**
(45) **Date of Patent:** **** May 8, 2018**

- (54) **JEWELRY BOX**
- (71) Applicant: **Shenzhen Dikai Industrial Co., Ltd.**,
Shenzhen, Guangdong (CN)
- (72) Inventors: **Xiuling Zhu**, Shenzhen (CN); **Gary**
Bruce Peckham, Shenzhen (CN)
- (73) Assignee: **SHENZHEN DIKAI INDUSTRIAL**
CO., LTD., Shenzhen, Guangdong (CN)

6,513,672 B1 * 2/2003 Ovadia A45C 11/06
206/6.1
D478,811 S * 8/2003 Huang D3/294
D493,107 S * 7/2004 Bergne D3/294
D548,969 S * 8/2007 Bramley D21/394
D570,114 S * 6/2008 Netz D3/294
2010/0008074 A1 * 1/2010 Kang A45C 11/16
362/154
2016/0174675 A1 * 6/2016 Bedman A45C 11/16
206/6.1

(Continued)

(**) Term: **15 Years**

OTHER PUBLICATIONS

- (21) Appl. No.: **29/571,983**
- (22) Filed: **Jul. 22, 2016**

Dikai Tools, "Diamond display box with logo changable logo plate", Accessed May 16, 2017. (http://www.dikaitools.com/en/Gemstone_Display_Boxes/Diamond_Gemsto/2016/0705/449.html).*

(Continued)

(30) **Foreign Application Priority Data**

Jan. 22, 2016 (CN) 2016 3 0022616

(51) **LOC (11) Cl.** **03-01**

(52) **U.S. Cl.**
USPC **D3/294; D3/903**

(58) **Field of Classification Search**
USPC D3/206, 262, 271.8, 274, 273, 276, 282,
D3/284, 294, 298, 302, 315, 901, 905,
D3/904

CPC B25H 3/003; A45C 2011/002; A45C
2011/003; A45C 2011/007; A45C 11/16;
A45C 11/36; A45C 11/34; A45C 15/00;
A45D 2040/0012; A45D 40/24

See application file for complete search history.

Primary Examiner — Jennifer Rivard

Assistant Examiner — April Rivas

(74) *Attorney, Agent, or Firm* — Raymond Y. Chan;
David and Raymond Patent Firm

(57) **CLAIM**

The ornamental design for a jewelry box, as shown and described.

DESCRIPTION

FIG. 1 is a perspective view of the jewelry box in a closed position, showing our new design.

FIG. 2 is a front view thereof.

FIG. 3 is a rear view thereof.

FIG. 4 is a right view thereof.

FIG. 5 is a left view thereof.

FIG. 6 is a top view thereof.

FIG. 7 is a bottom view of the thereof; and,

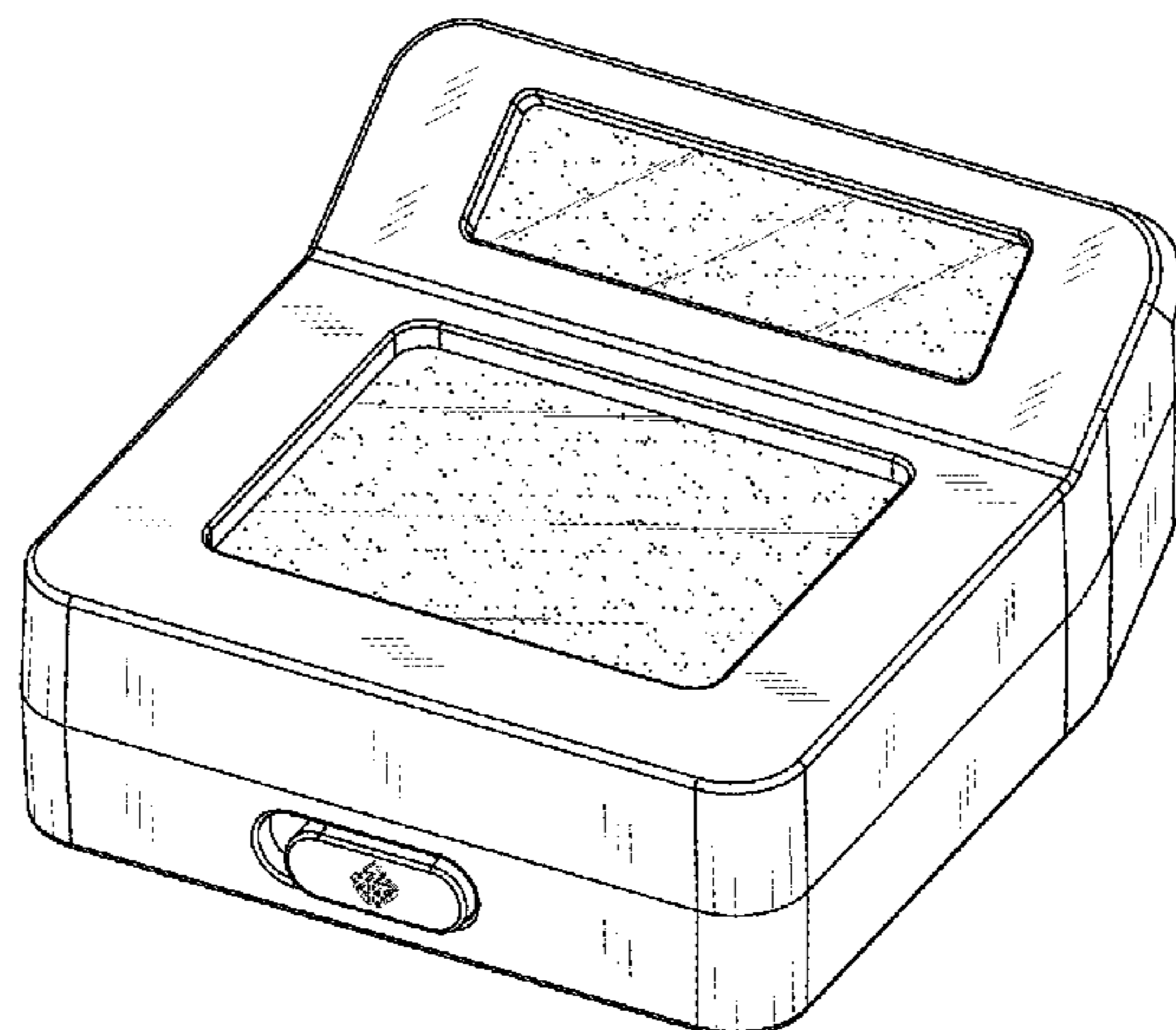
FIG. 8 is a perspective view of the jewelry box in an opened position.

(56) **References Cited**

U.S. PATENT DOCUMENTS

D160,319 S * 10/1950 Hess D3/294
D234,339 S * 2/1975 Shiffman D3/294
D235,037 S * 4/1975 Jolly D3/294
D274,408 S * 6/1984 Fernandez D3/294
D350,850 S * 9/1994 Angelini D3/273
D430,728 S * 9/2000 Horvath D28/61

1 Claim, 8 Drawing Sheets



(56)

References Cited

U.S. PATENT DOCUMENTS

2016/0295983 A1* 10/2016 Zhu A45C 11/16

OTHER PUBLICATIONS

Aliexpress, "Luxury Loose Diamond . . . container casket", Accessed May 18, 2017. (https://www.aliexpress.com/store/product/Luxury-Loose-Diamond-Display-Boxes-Cases-Black-Acrylic-Square-Clamshell-Wedding-Beads-Jewellery-Storage-Showing-Container/1463591_32466205832.html?spm=2114.12010612.0.0.WQsVoG).*

* cited by examiner

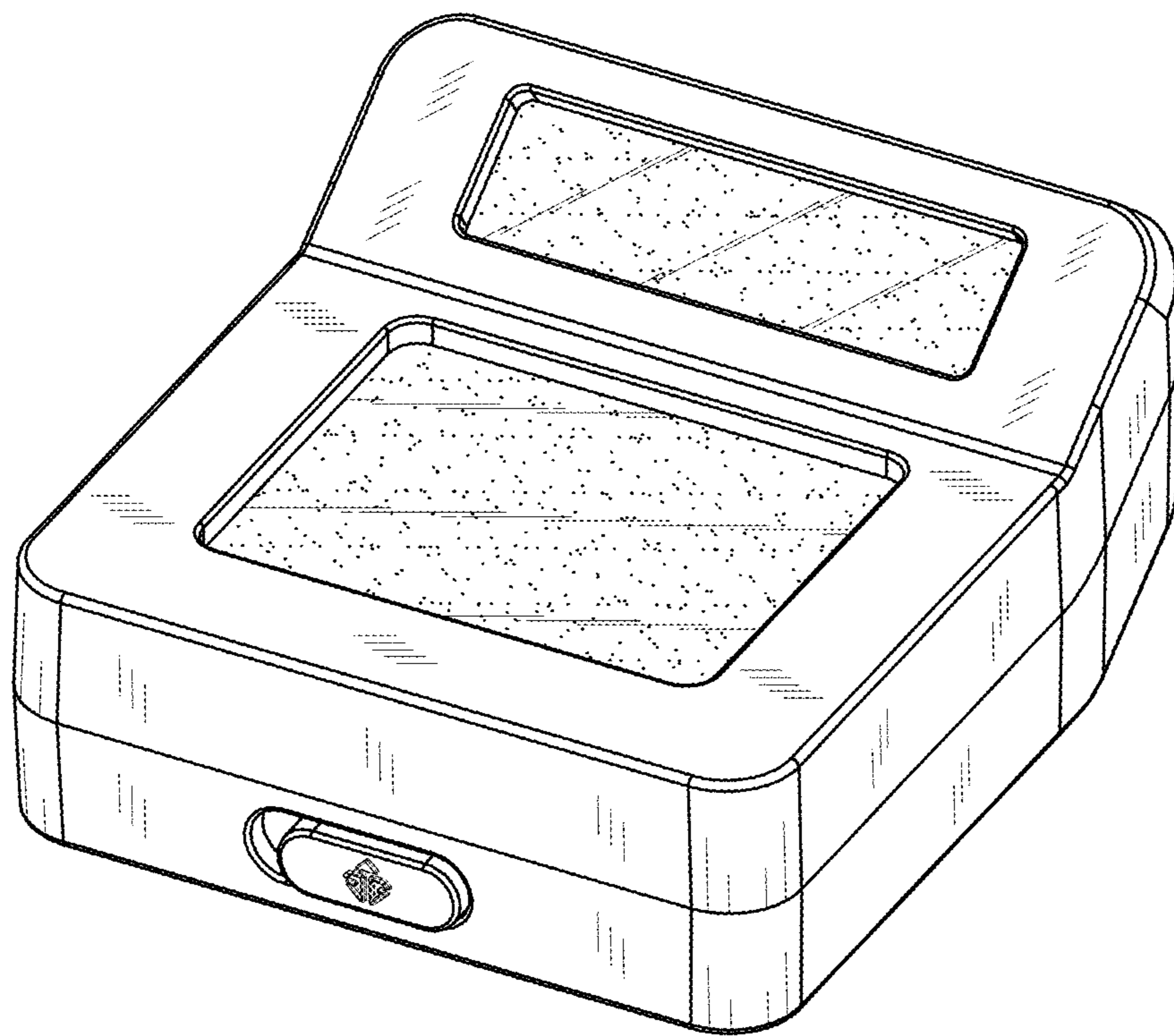


FIG.1

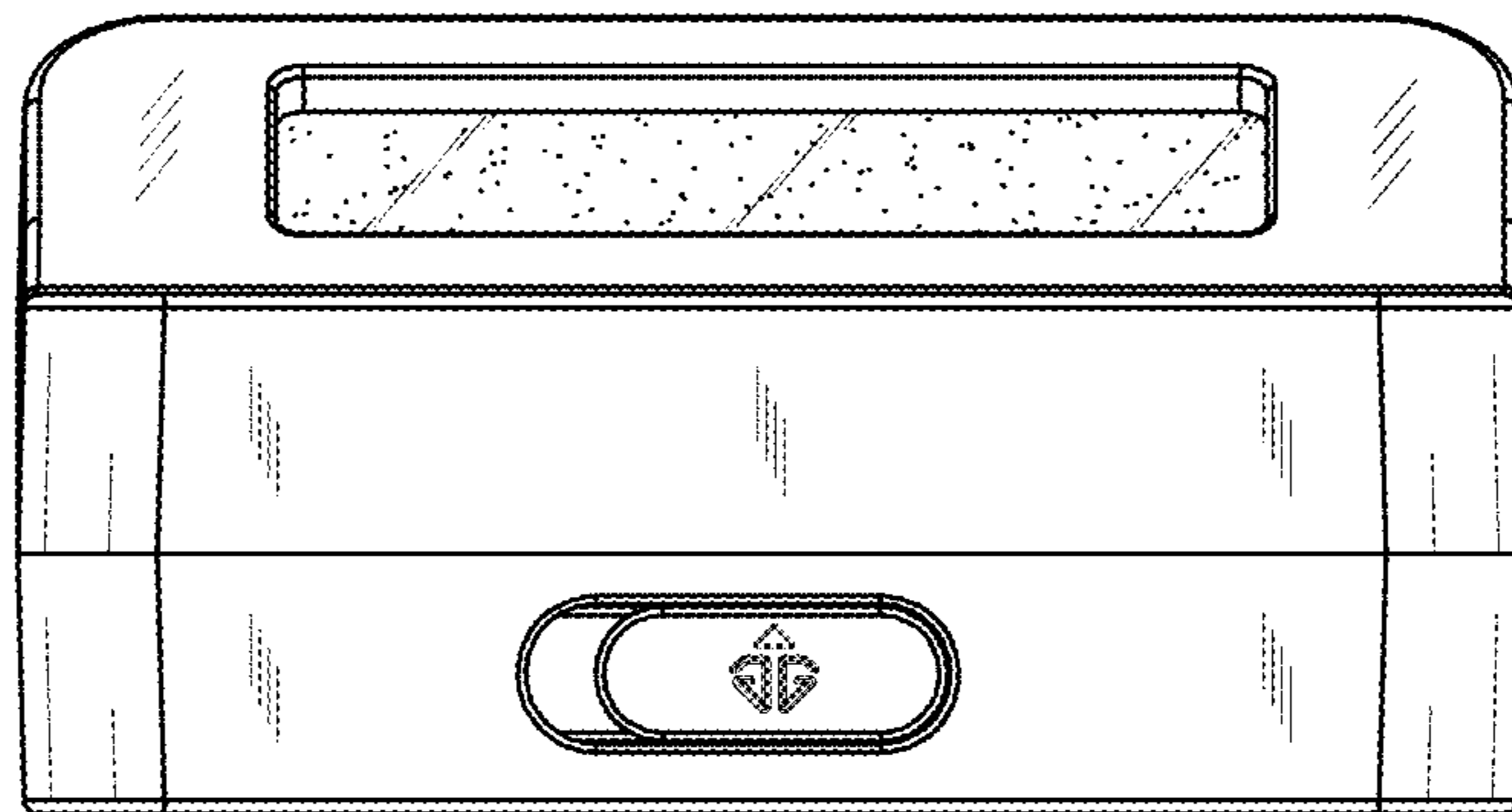


FIG.2

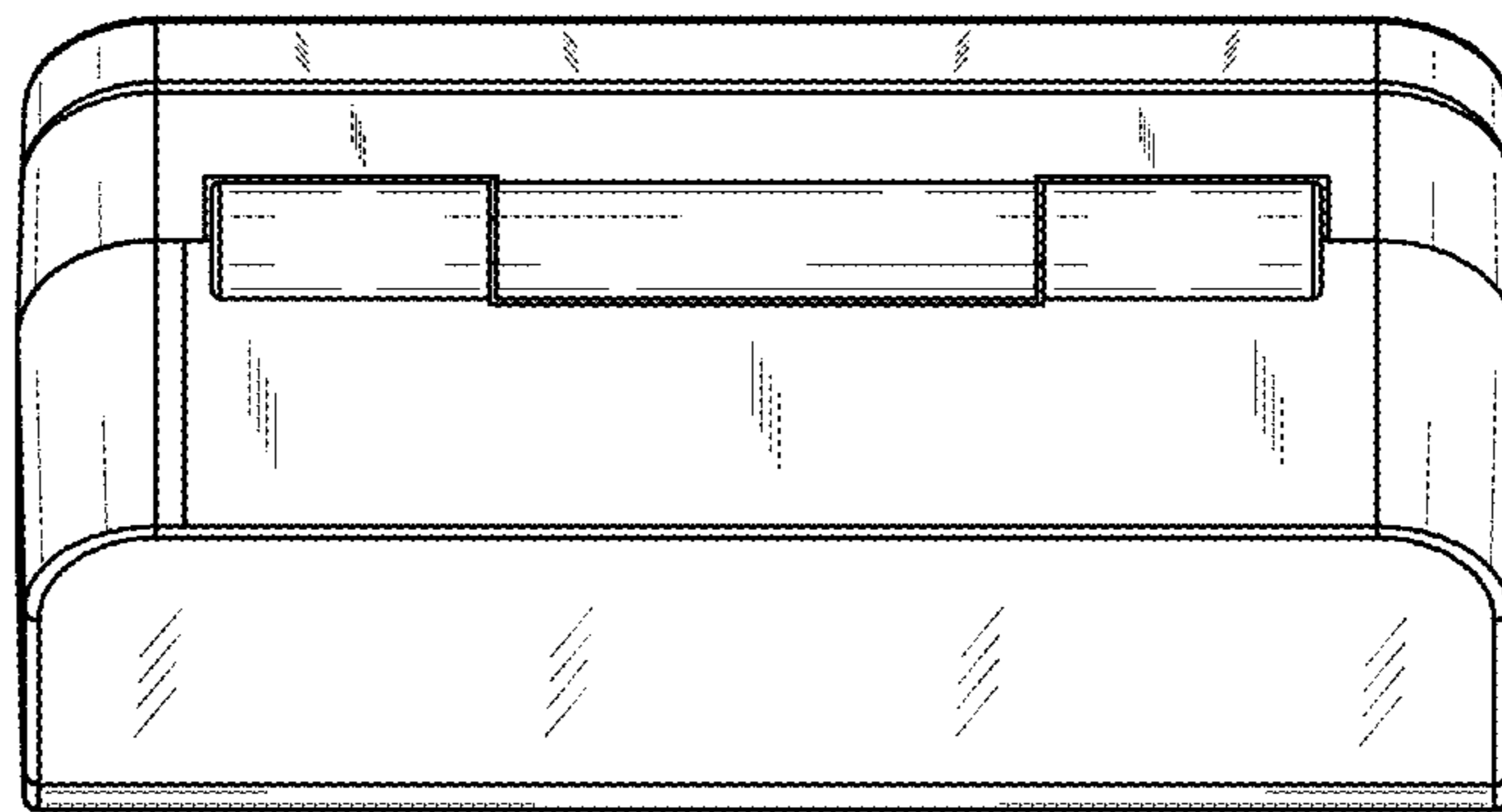


FIG.3

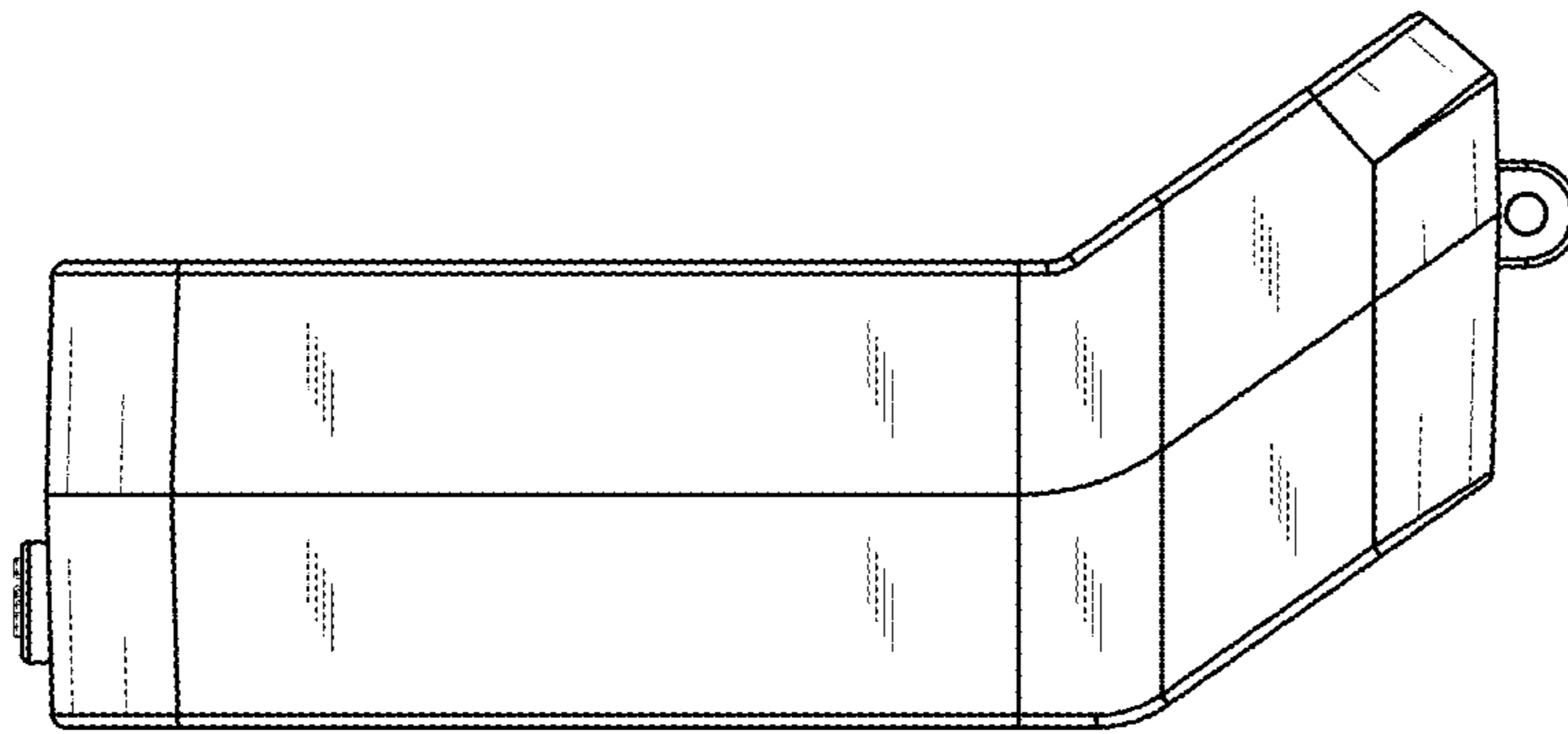


FIG.4

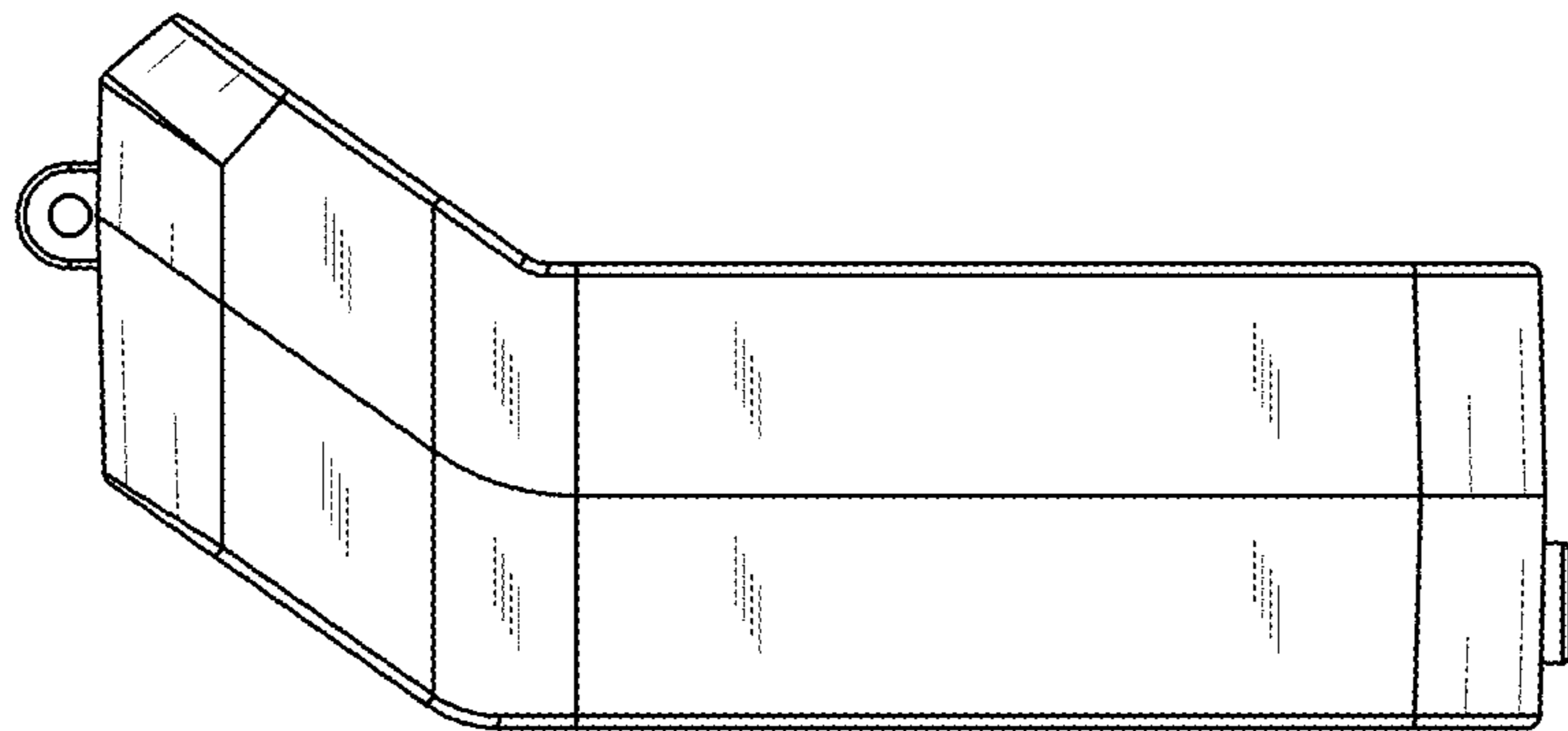


FIG.5

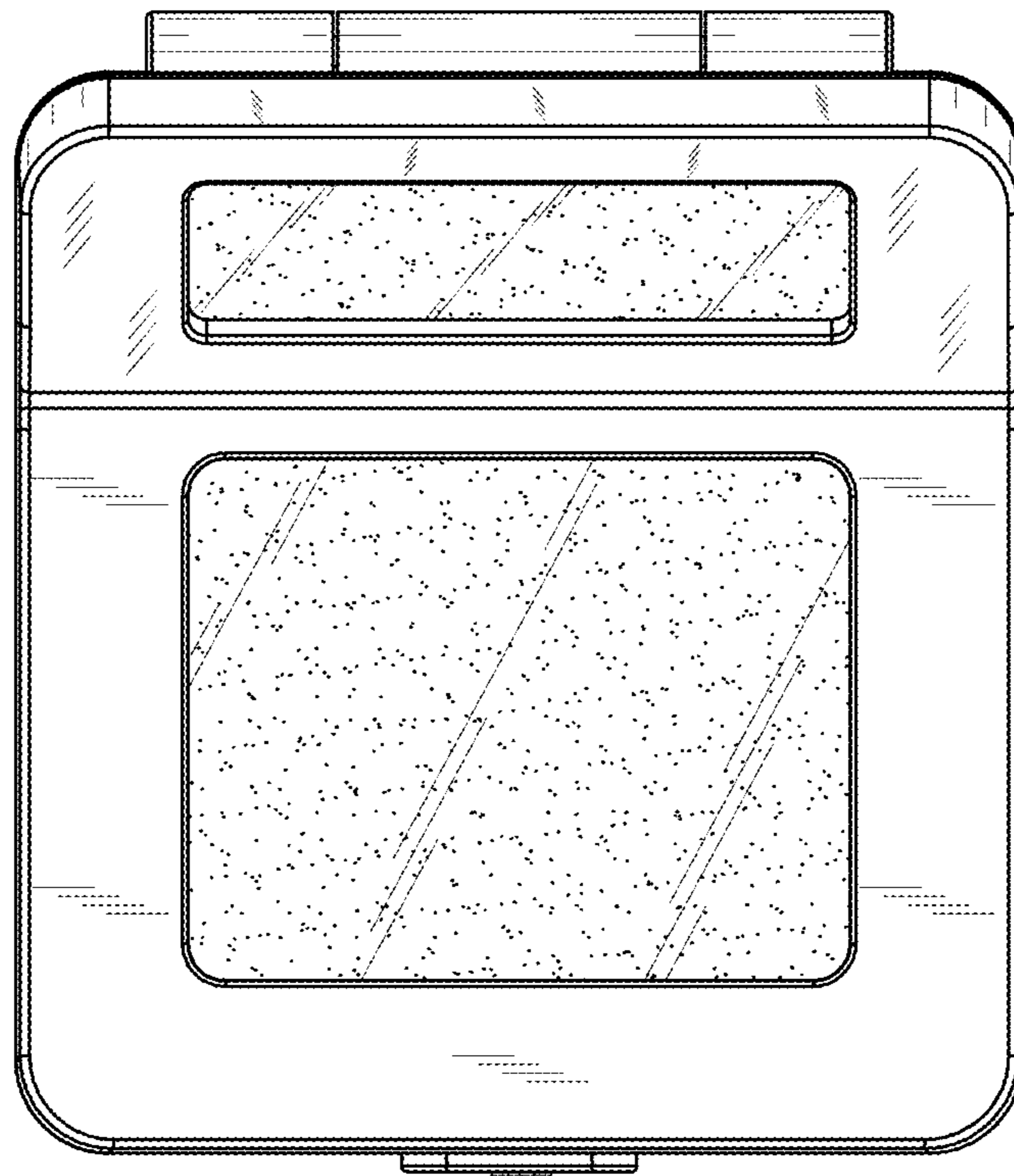


FIG.6

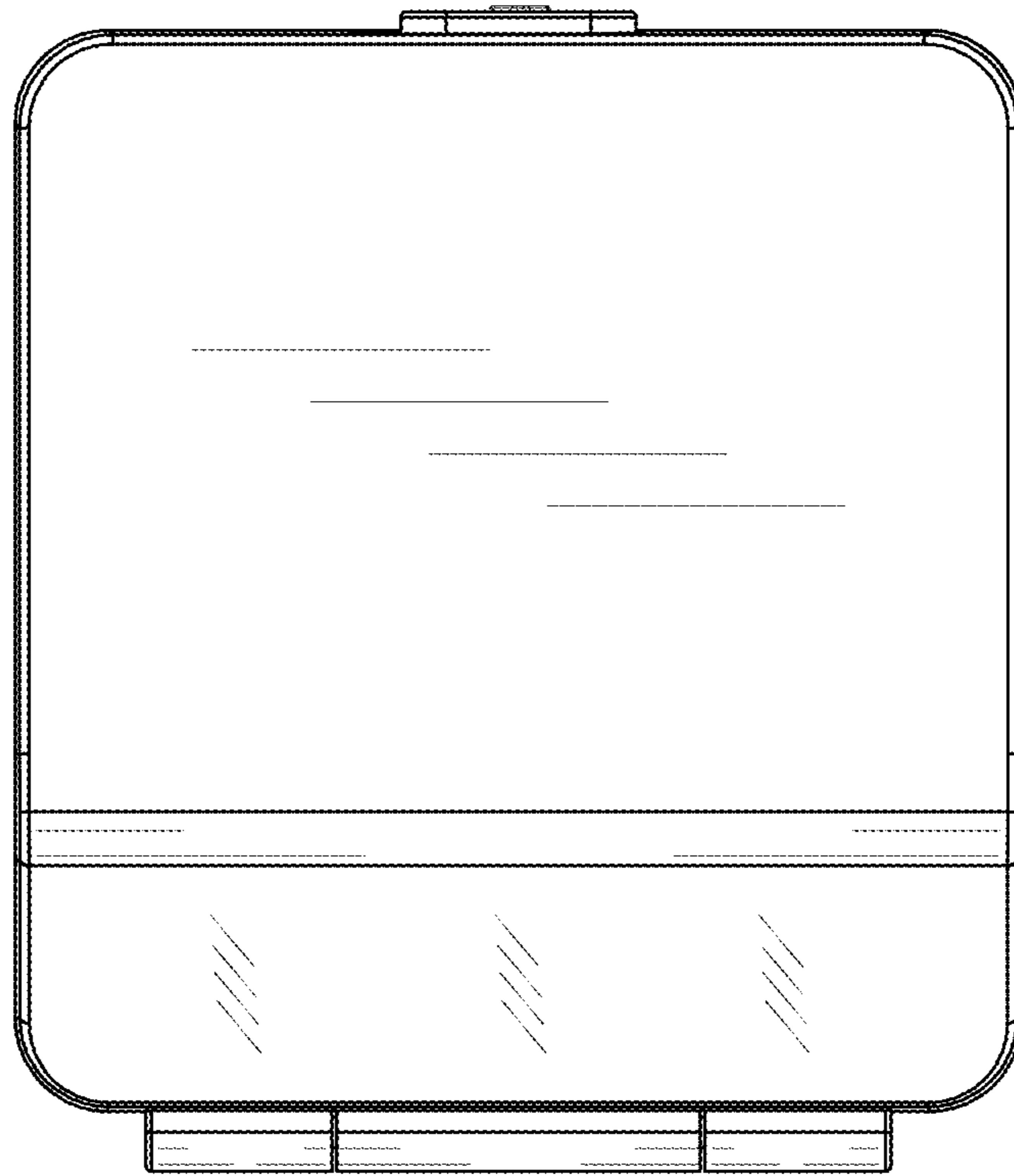


FIG.7

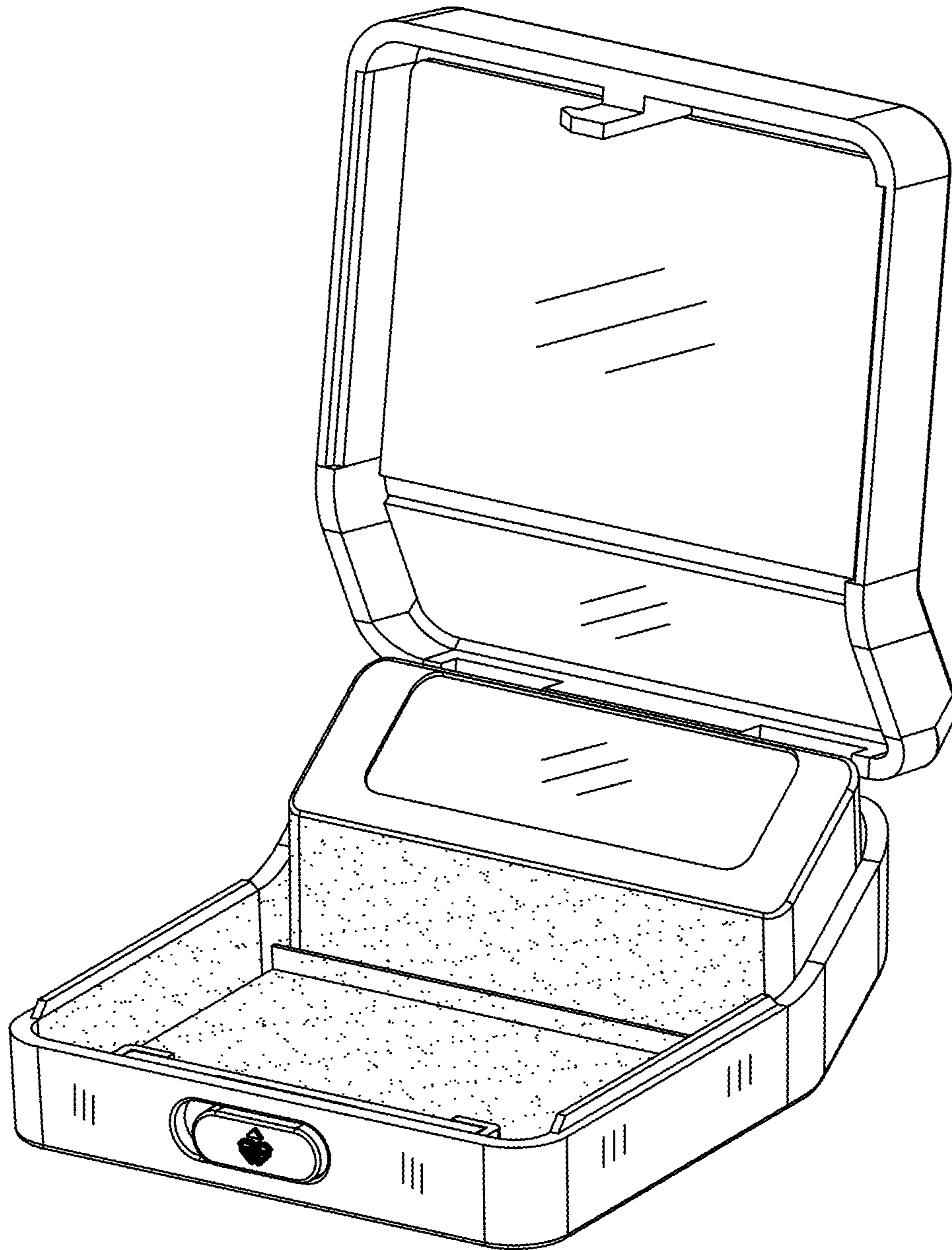


FIG.8