



US00D816992S

(12) **United States Design Patent**
Sapp

(10) **Patent No.:** **US D816,992 S**

(45) **Date of Patent:** **** *May 8, 2018**

(54) **SHOE STORAGE BOX**

(76) Inventor: **Annie H. Sapp**, Albany, GA (US)

(*) Notice: This patent is subject to a terminal disclaimer.

(**) Term: **14 Years**

(21) Appl. No.: **29/333,471**

(22) Filed: **Mar. 10, 2009**

(51) **LOC (11) Cl.** **03-01**

(52) **U.S. Cl.**
USPC **D3/279; D6/440**

(58) **Field of Classification Search**
USPC D3/272-273, 279, 294-295;
D6/225-226, 349, 355, 397, 432, 440;
190/15 A, 18 A, 18 R; 315/235.5;
D34/19

See application file for complete search history.

(56) **References Cited**

U.S. PATENT DOCUMENTS

| | | | |
|---------------|---------|----------------|-----------|
| 35,210 A * | 5/1862 | Bishon | 312/235.5 |
| D45,912 S * | 6/1914 | Martin | D6/336 |
| D57,981 S * | 5/1921 | Lockhart | D6/448 |
| D131,001 S * | 1/1942 | Abramson | D6/336 |
| D151,662 S * | 11/1948 | Smead | D6/336 |
| D173,074 S * | 9/1954 | McMaster | D6/336 |
| D213,886 S * | 4/1969 | Jensen | D6/448 |
| 3,746,391 A * | 7/1973 | Novak | 297/188.1 |
| 4,066,156 A * | 1/1978 | Basile | 190/18 A |
| D247,594 S * | 3/1978 | Corson et al. | D6/349 |
| D250,860 S * | 1/1979 | Castro | D6/336 |
| D291,037 S * | 7/1987 | Handler et al. | D6/432 |
| 5,170,892 A * | 12/1992 | Fromkin | 211/36 |

| | | | |
|----------------|---------|------------|-----------|
| RE34,570 E * | 3/1994 | Fromkin | 211/36 |
| D351,508 S * | 10/1994 | Bonazza | D6/336 |
| D373,022 S * | 8/1996 | Sagol | D3/279 |
| D401,407 S * | 11/1998 | Bro et al. | D3/271.12 |
| D415,359 S * | 10/1999 | Boyd | D6/336 |
| D416,143 S * | 11/1999 | Ragan | D6/397 |
| D423,237 S * | 4/2000 | Chang | D6/336 |
| D428,717 S * | 8/2000 | Solowiej | D6/349 |
| D432,322 S * | 10/2000 | Mandell | D6/336 |
| 6,357,566 B1 * | 3/2002 | Pond | 190/18 A |
| D461,061 S * | 8/2002 | Kent | D6/336 |
| D590,153 S * | 4/2009 | Sapp | D3/279 |

* cited by examiner

Primary Examiner — Philip S Hyder
Assistant Examiner — Roselyne Cody

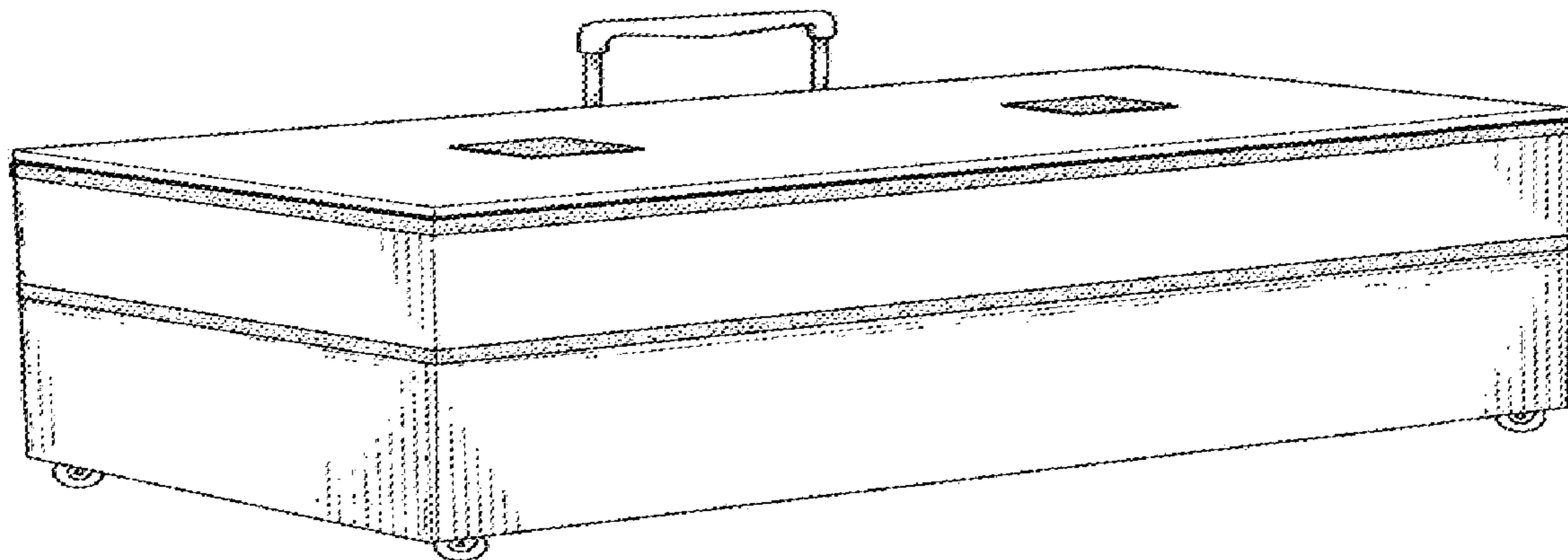
(57) **CLAIM**

The ornamental design for a shoe storage box, as shown.

DESCRIPTION

FIG. 1 is a perspective view of a shoe storage box showing my new design;
 FIG. 2 is a right side perspective view of the shoe storage box with the lid portion opened, the left side being a mirror image;
 FIG. 3 is a front elevation view of the shoe storage box of FIG. 1;
 FIG. 4 is a rear elevation view thereof;
 FIG. 5 is a top plan view thereof;
 FIG. 6 is a bottom plan view thereof; and,
 FIG. 7 is a right side elevation view thereof, the left side being a mirror image.
 The broken lines in FIG. 6, illustrating attaching elements, form part of the claimed design.

1 Claim, 4 Drawing Sheets



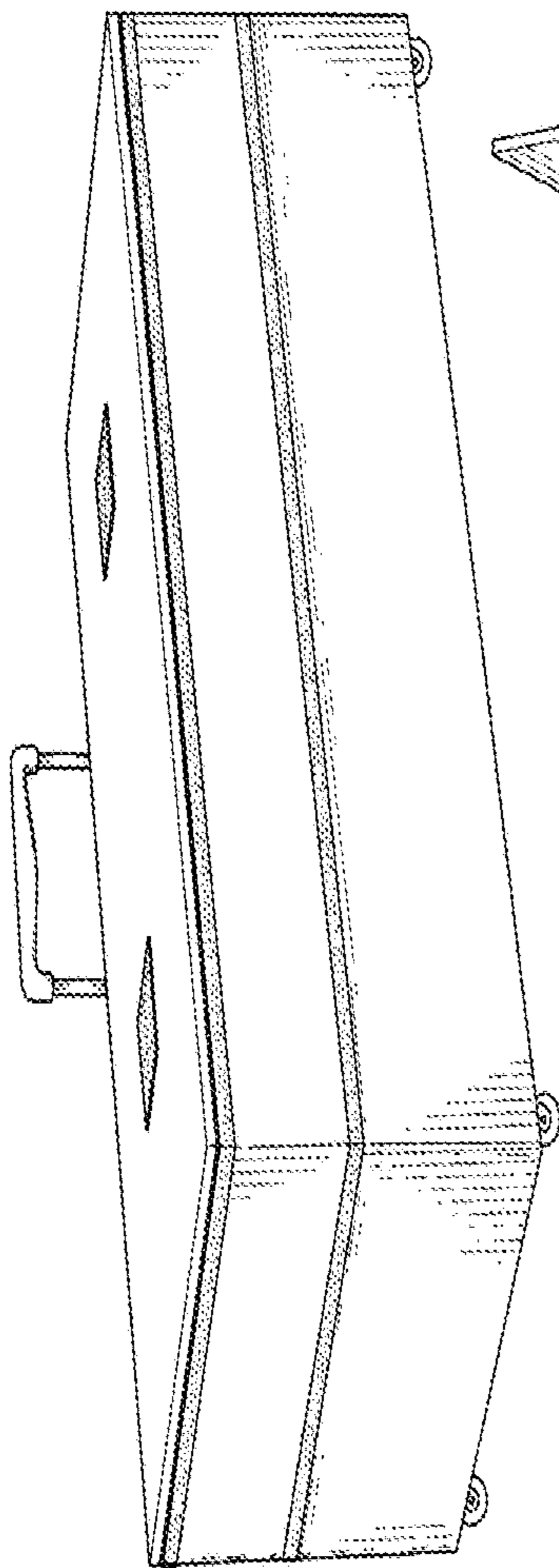


Fig. 1

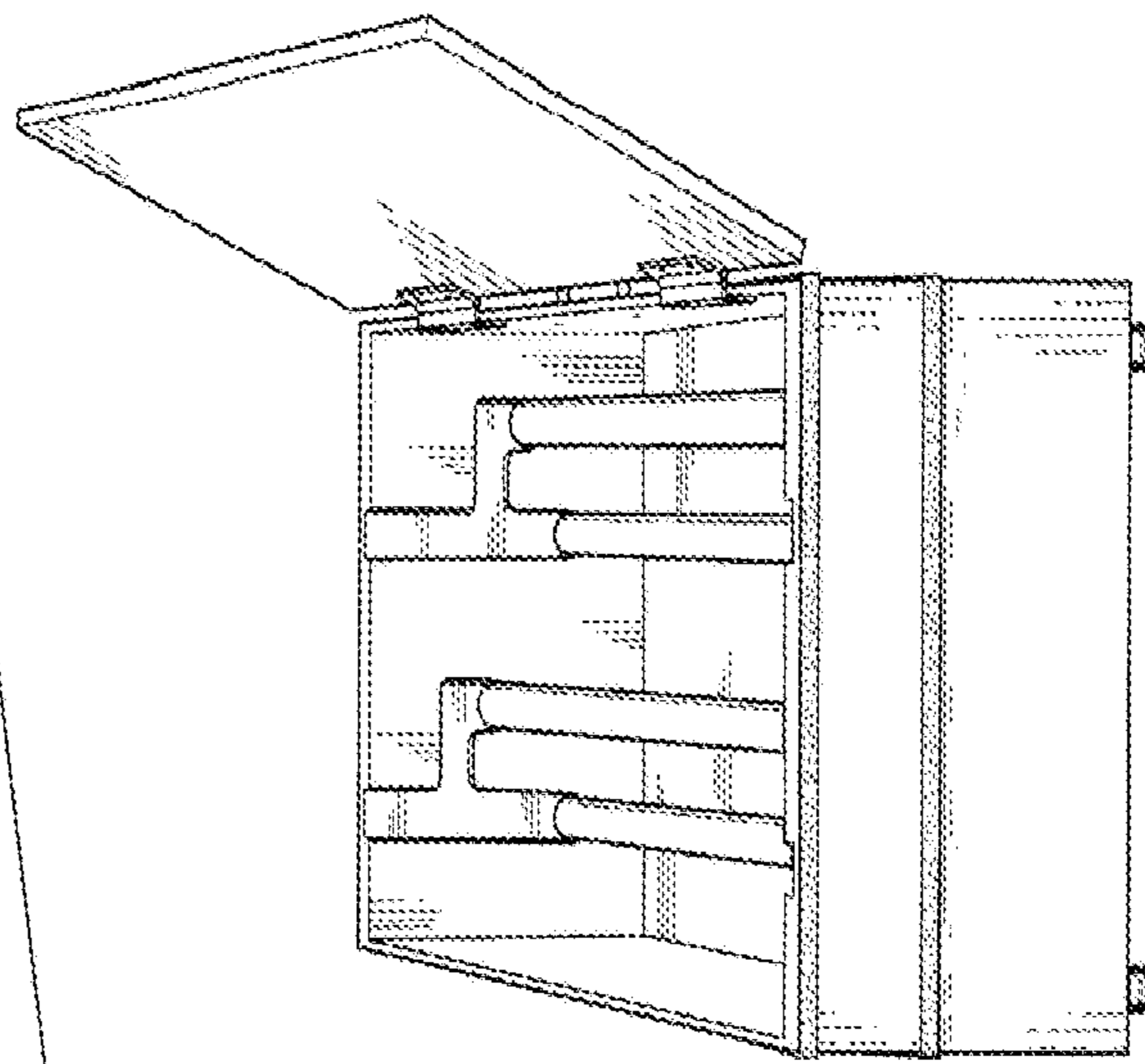


Fig. 2

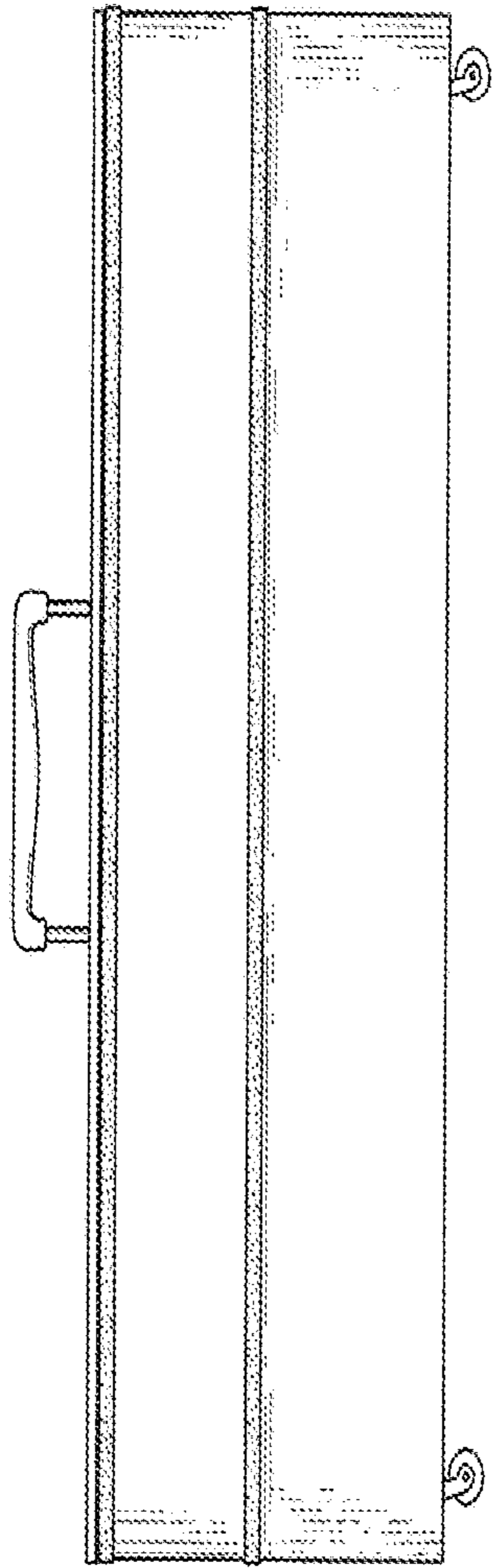


Fig. 3

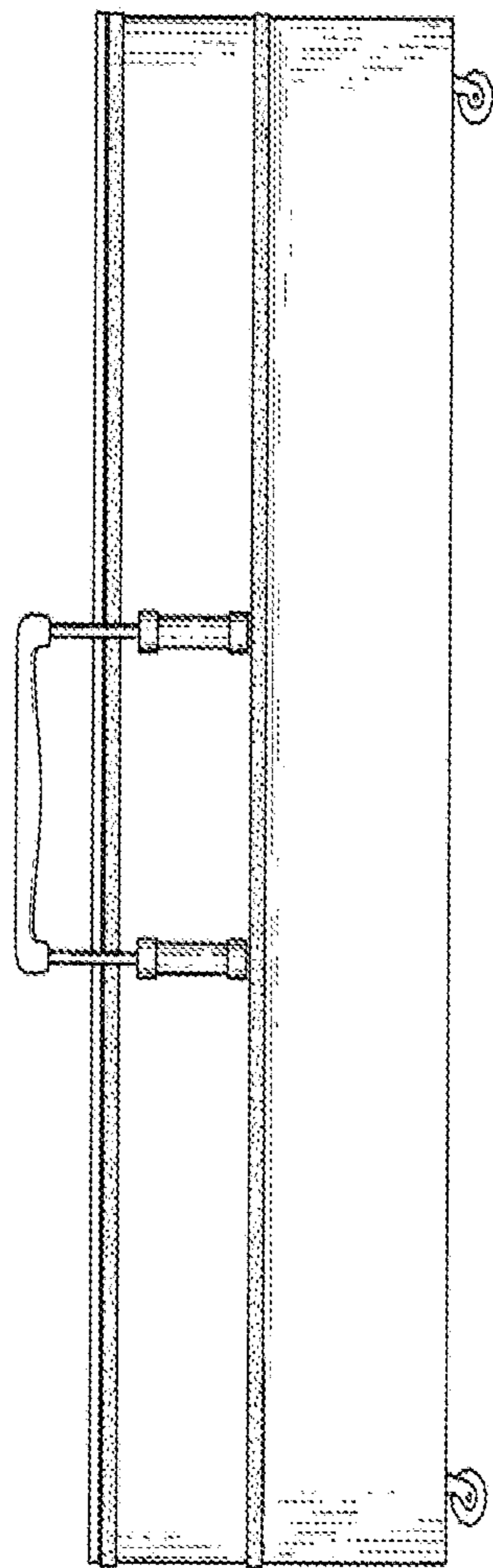


Fig. 4

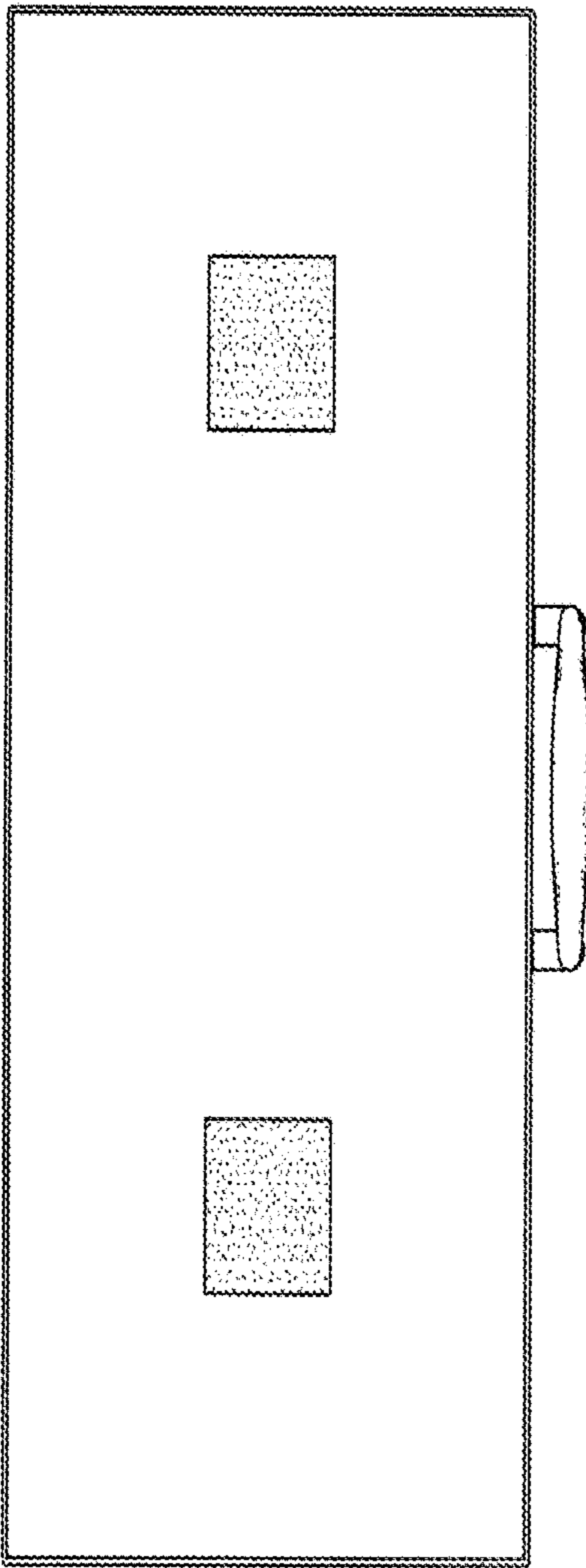


Fig. 5

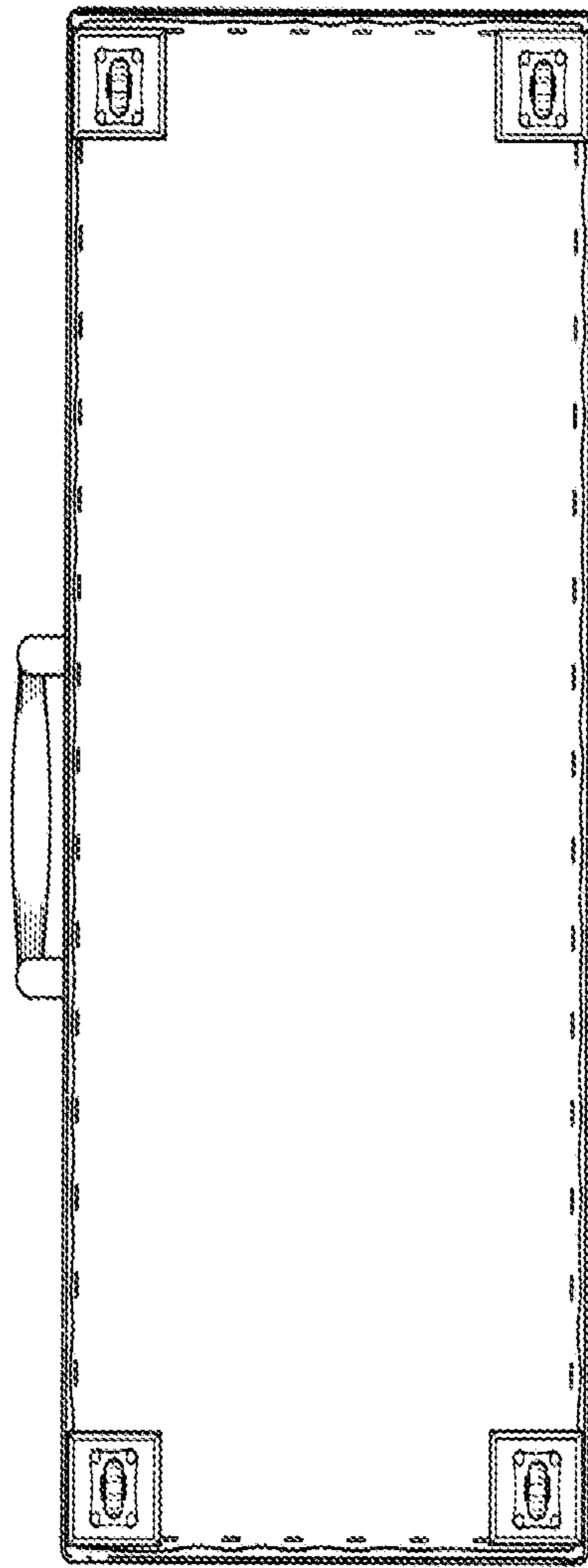


Fig. 6

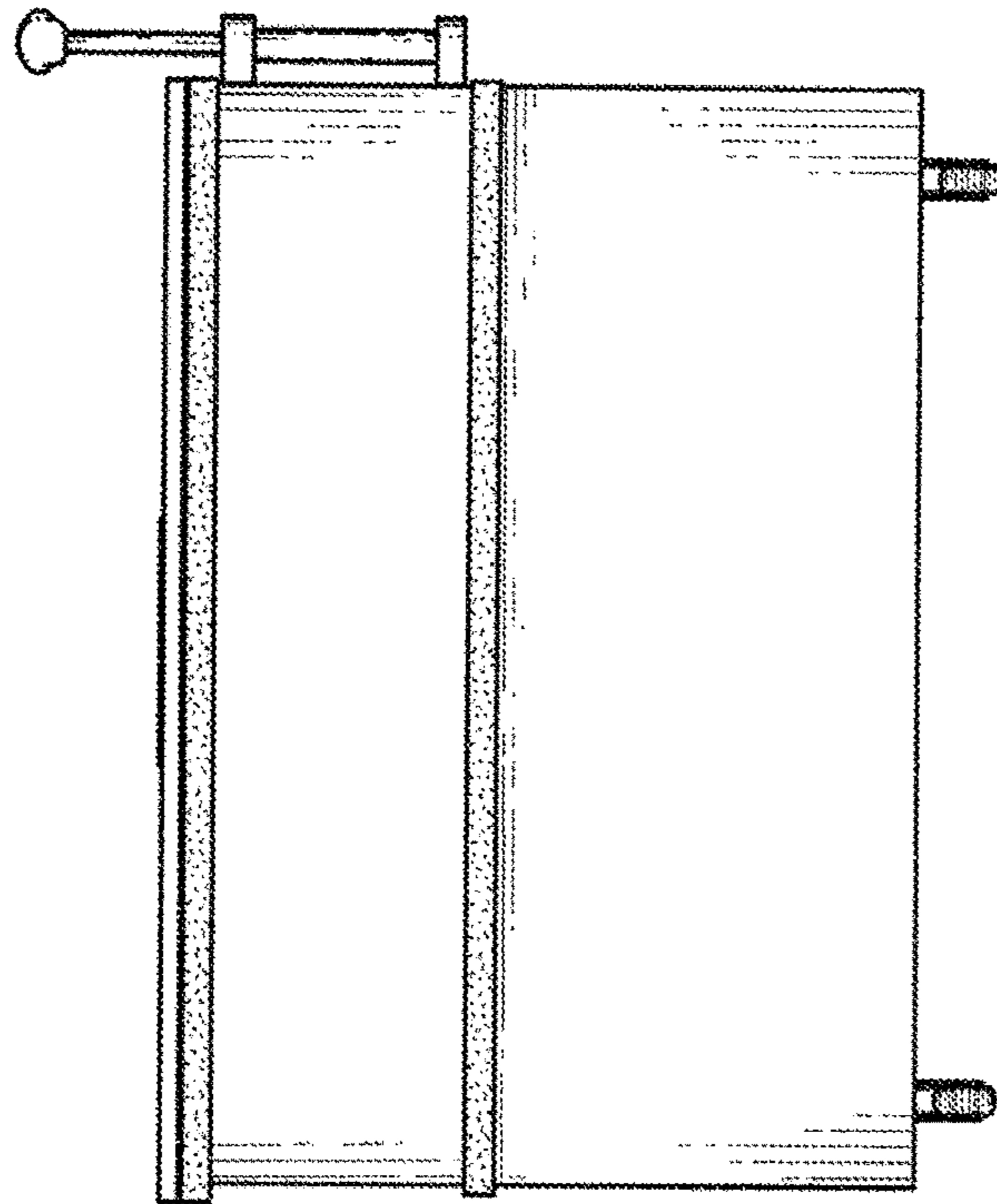


Fig. 7