



US00D816991S

(12) **United States Design Patent** (10) **Patent No.:** **US D816,991 S**
Sacks et al. (45) **Date of Patent:** **** *May 8, 2018**

(54) **COMBINED STORAGE CONTAINER AND GOOSE NECK MIRROR**

(71) Applicant: **SK Innovative Products, LLC**, Las Vegas, NV (US)

(72) Inventors: **Esther Sacks**, Las Vegas, NV (US); **Elayne Kollins**, Las Vegas, NV (US)

(73) Assignee: **SK Innovative Products, LLC**, Las Vegas, NV (US)

(*) Notice: This patent is subject to a terminal disclaimer.

(**) Term: **15 Years**

(21) Appl. No.: **29/567,554**

(22) Filed: **Jun. 10, 2016**

Related U.S. Application Data

(63) Continuation-in-part of application No. 29/547,633, filed on Dec. 4, 2015, which is a continuation-in-part of application No. 29/524,549, filed on Apr. 21, 2015.

(51) **LOC (11) Cl.** **03-01**

(52) **U.S. Cl.**
USPC **D3/275; D3/282; D3/283; D3/901**

(58) **Field of Classification Search**
USPC **D3/273, 274, 275, 283, 295, 296, 297, D3/901, 905, 205; D6/662, 560, 667; D28/76, 83**
CPC **A45D 33/20; A45C 15/04; A45C 5/005; A45C 5/00**
See application file for complete search history.

(56) **References Cited**

U.S. PATENT DOCUMENTS

D119,281 S * 3/1940 Paisner D3/275
4,192,329 A * 3/1980 Swearingen A45C 5/005
132/287
D263,896 S * 4/1982 Glasgow D3/275

D302,483 S * 7/1989 Zall D28/76
D341,715 S * 11/1993 Ancona D3/275
D348,994 S * 7/1994 Geske D3/297
D361,430 S * 8/1995 Mohundro D3/296
D393,541 S * 4/1998 Calmeise D3/297

(Continued)

OTHER PUBLICATIONS

Walmart, "Cosmetic Organizer DIY Makeup Box Case . . . ", Accessed Aug. 30, 2016. (https://www.walmart.com/...f76350&wmlspartner=shoppingcom2&affcmpid=2290483245&tmode=0000&veh=cse&sdc_id=1085169843066).

(Continued)

Primary Examiner — Jennifer Rivard

Assistant Examiner — April Rivas

(74) *Attorney, Agent, or Firm* — Newman Law, LLC

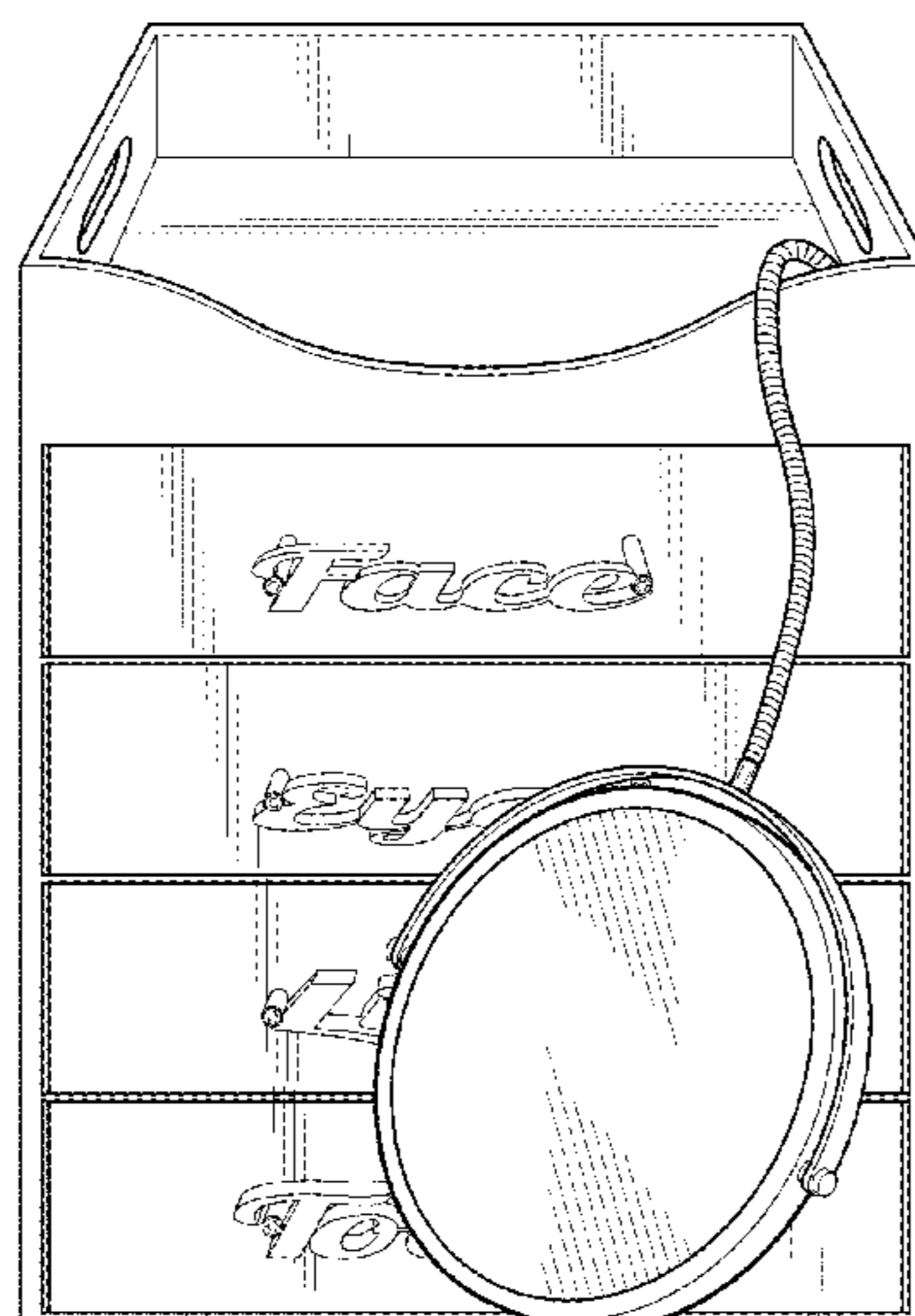
(57) **CLAIM**

The ornamental design for a combined storage container and goose neck mirror, as shown and described.

DESCRIPTION

FIG. 1 is a perspective view of the combined storage container and goose neck mirror, which also illustrates the goose neck mirror in a curved position;
FIG. 2 is a front view of the combined storage container and goose neck mirror with the goose neck mirror in a straight position;
FIG. 3 is a rear view of the combined storage container and goose neck mirror shown in FIG. 2;
FIG. 4 is a top view of the combined storage container and goose neck mirror shown in FIG. 2;
FIG. 5 is a bottom view of the combined storage container and goose neck mirror shown in FIG. 2;
FIG. 6 is a right side view the combined storage container and goose neck mirror shown in FIG. 2; and,
FIG. 7 is a left side view the combined storage container and goose neck mirror shown in FIG. 2.

1 Claim, 6 Drawing Sheets



(56)

References Cited

U.S. PATENT DOCUMENTS

D418,298	S	*	1/2000	Wolf	D3/275
D437,711	S	*	2/2001	Berg	D28/73
D477,154	S	*	7/2003	Benn	D3/297
D517,805	S	*	3/2006	Hosking	D3/291
D599,589	S	*	9/2009	Cassel	D3/297
D636,599	S	*	4/2011	Hsu	D3/297
D643,216	S	*	8/2011	Greiner	D3/296
D662,725	S	*	7/2012	Hill	D6/662
D713,995	S	*	9/2014	Felder	D28/73
D723,794	S	*	3/2015	Lai	D28/83
2015/0305496	A1	*	10/2015	Sacks	A45D 42/16 312/226

OTHER PUBLICATIONS

Amazon, "InterDesigns 2-Drawer Cosmetic Organizer . . ." Accessed Aug. 30, 2016. Reviewed Jun. 21, 2016. (<https://www.amazon.com/InterDesign-5-Drawer-Cosmetic-Organizer-Products/dp/B019FDVSGC>).*

* cited by examiner

FIG. 1

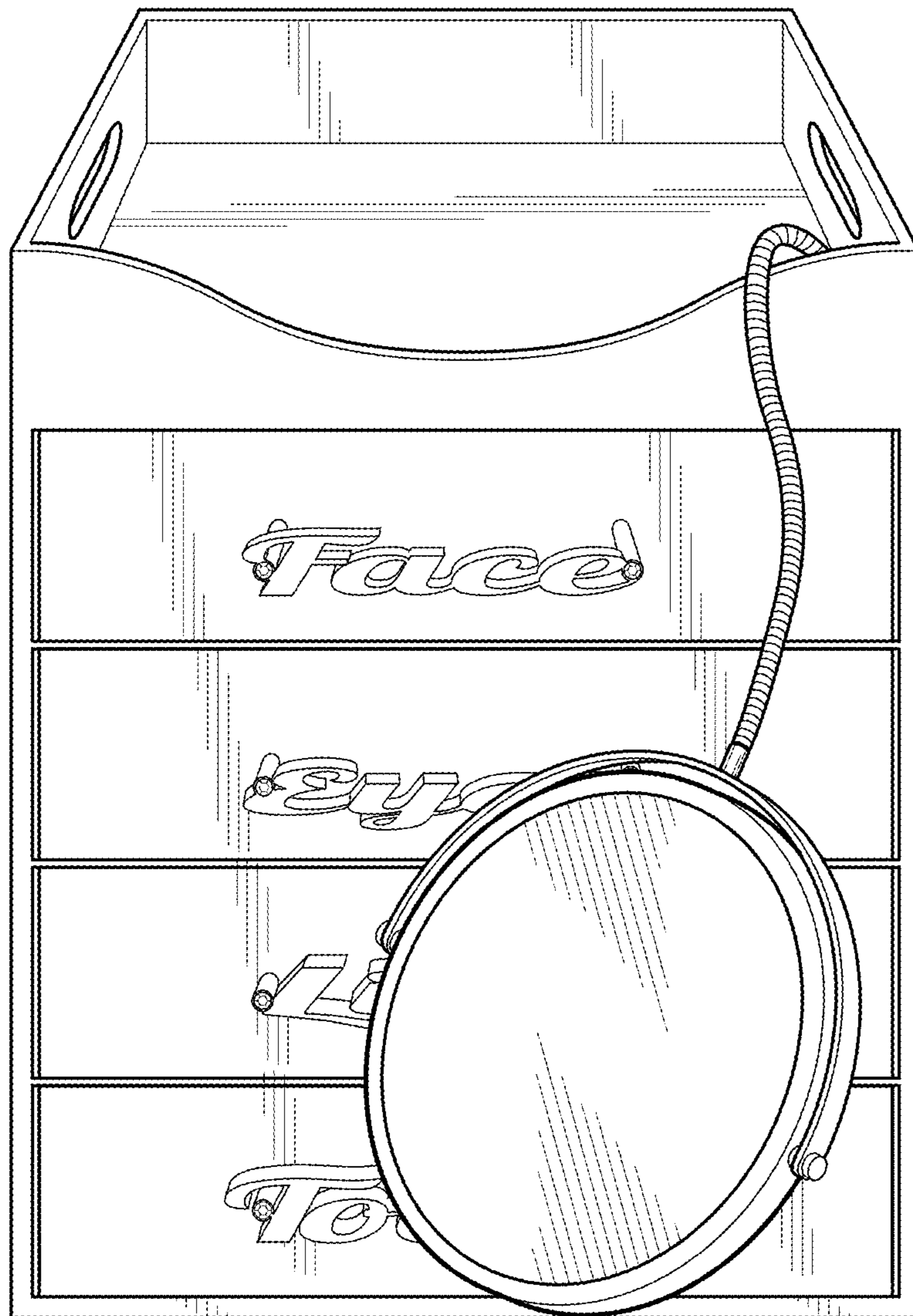
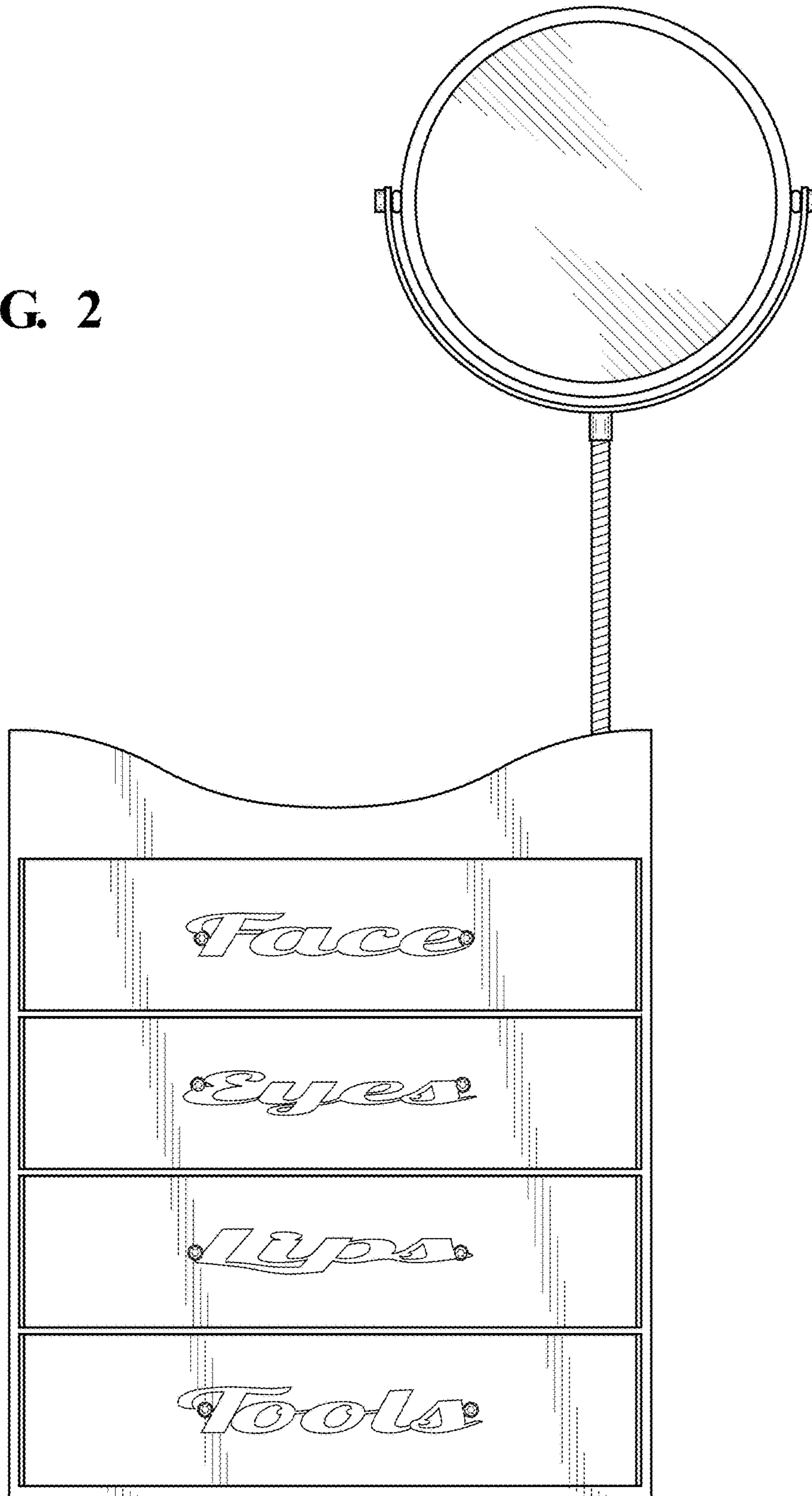


FIG. 2



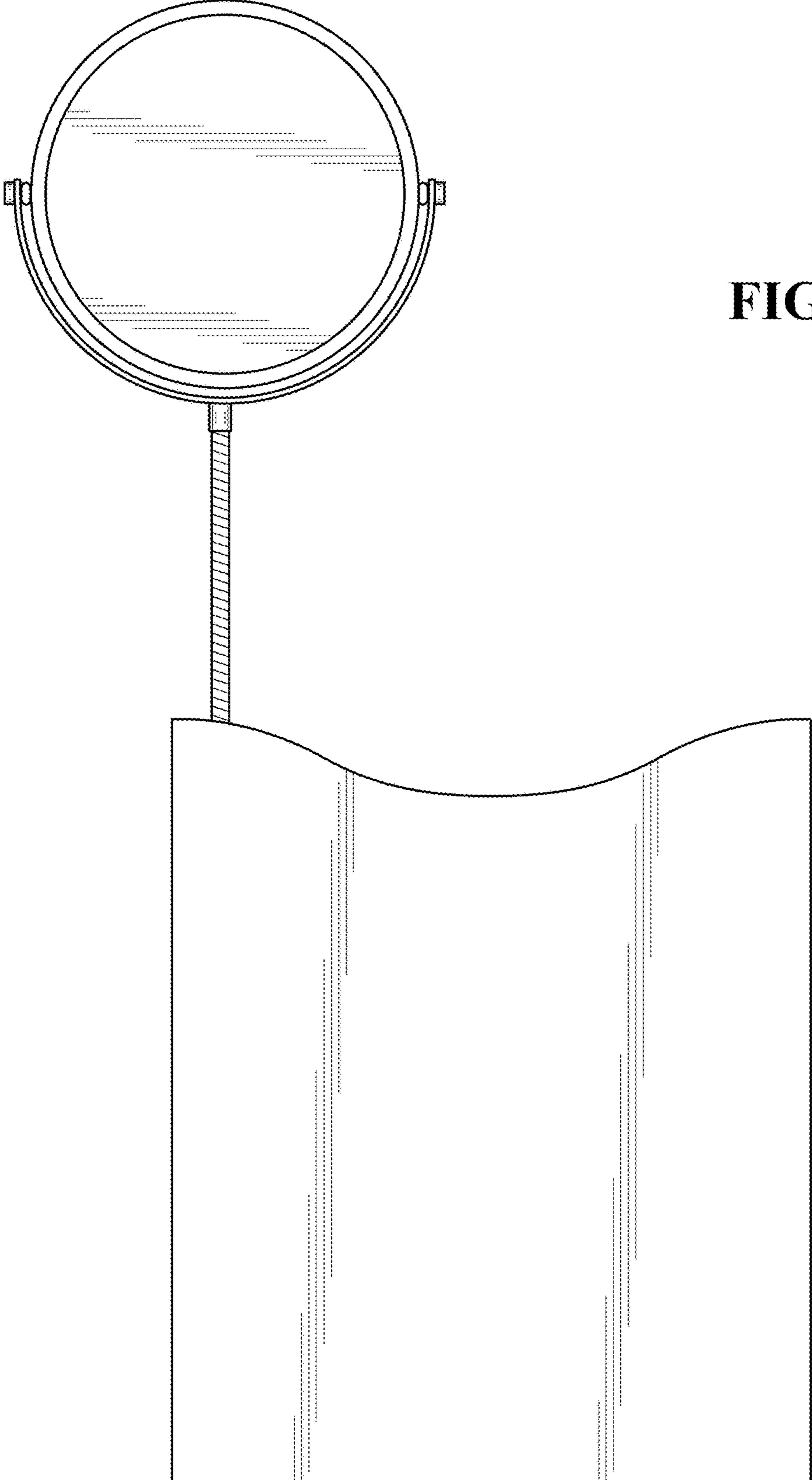


FIG. 3

FIG. 4

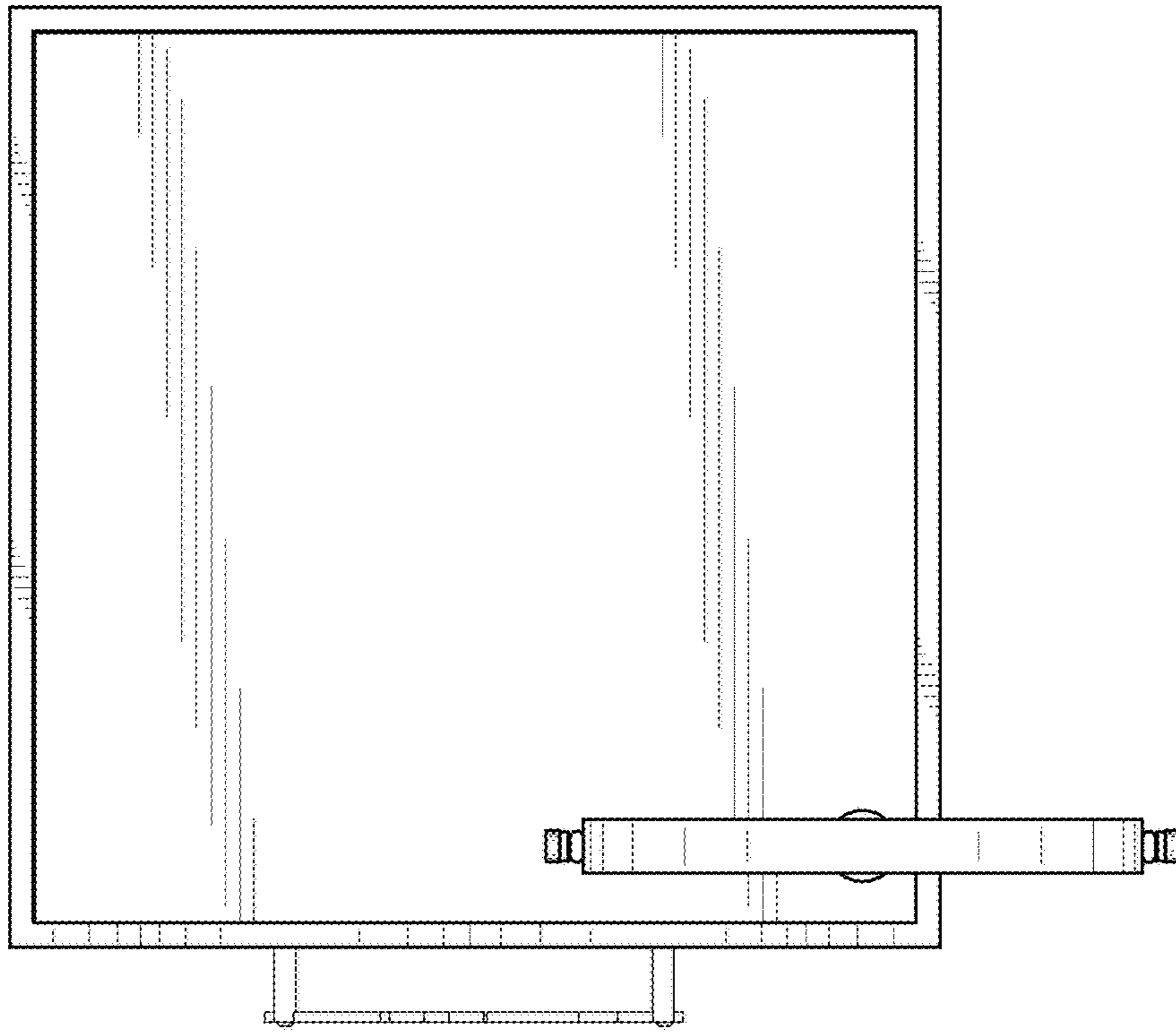
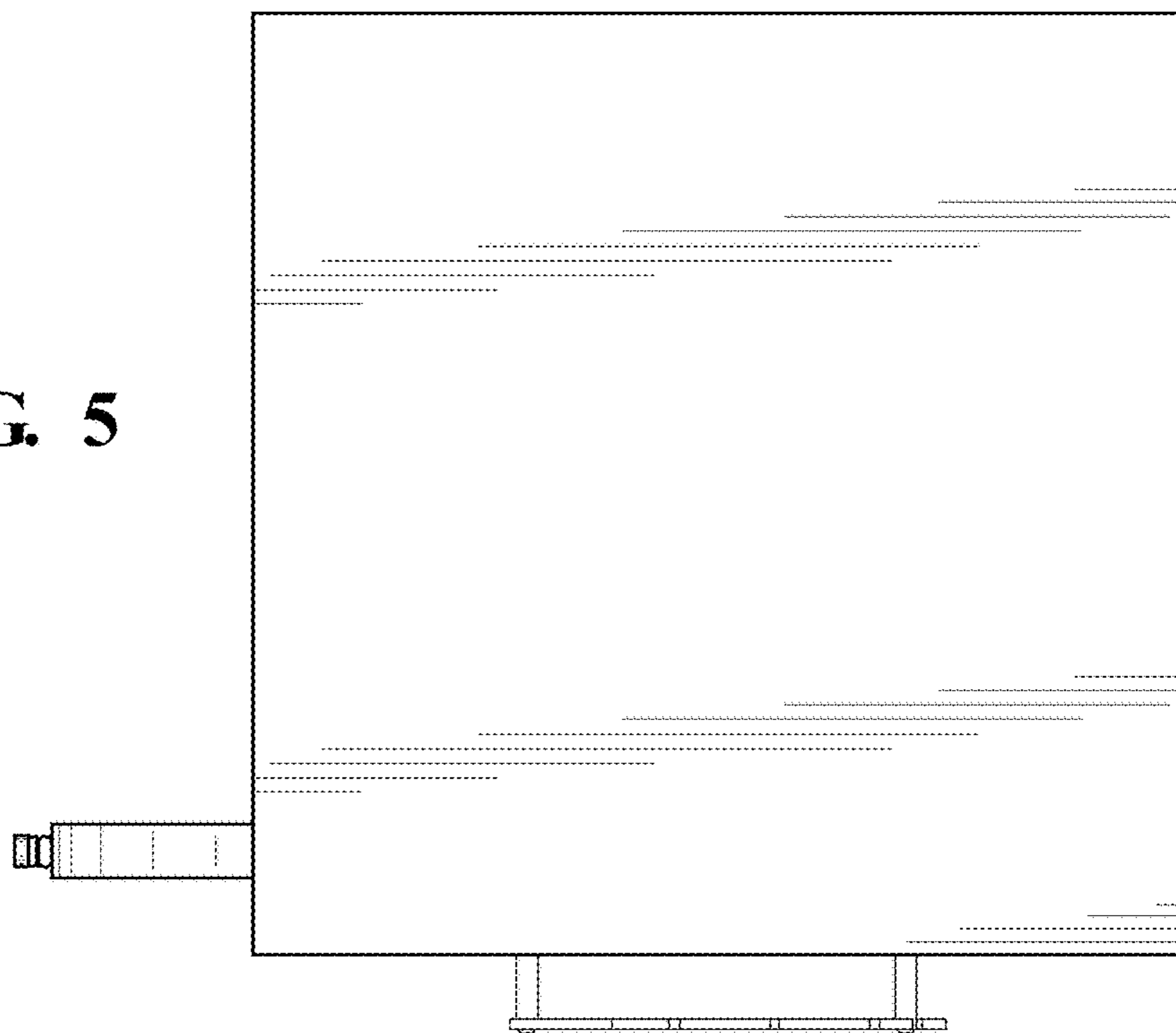


FIG. 5



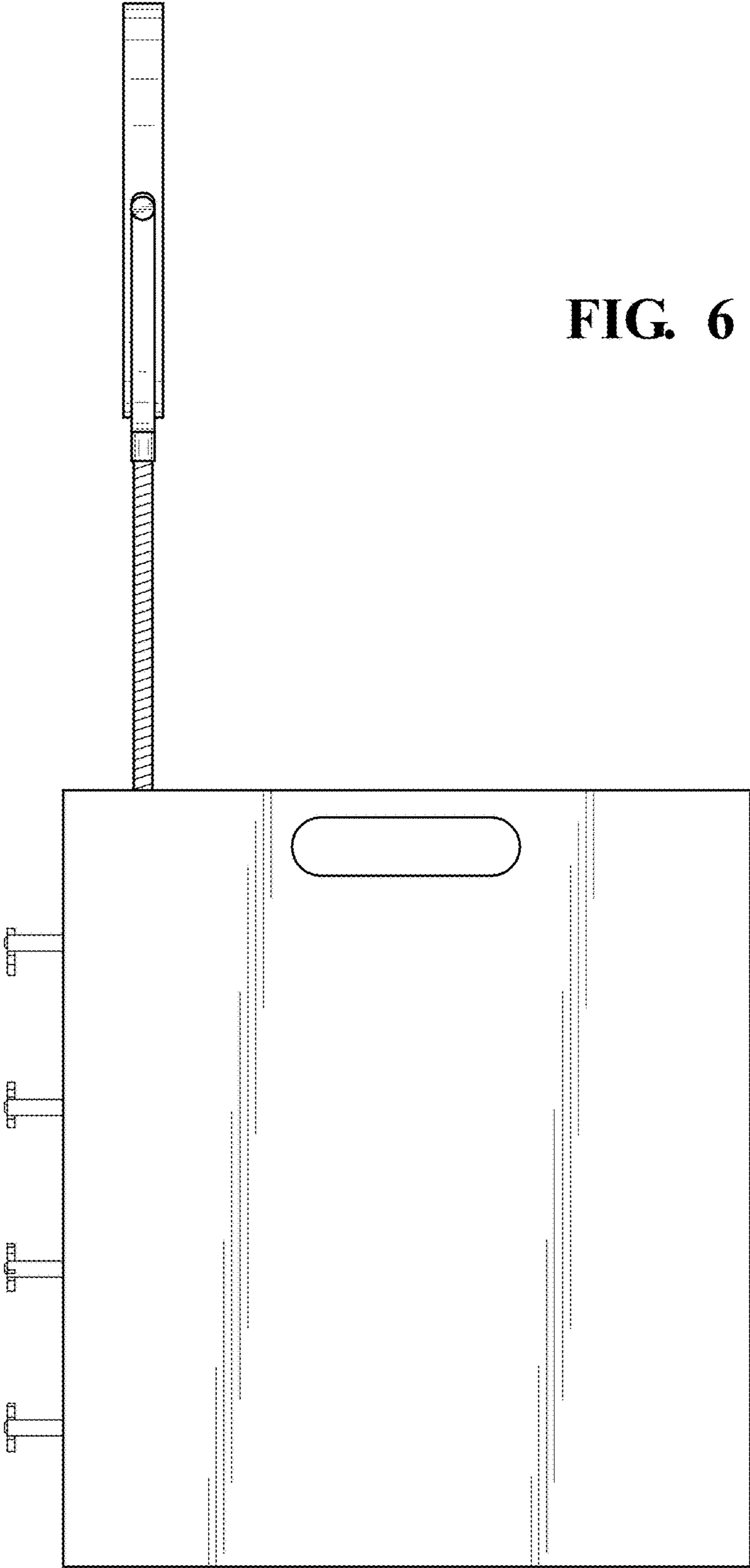


FIG. 6

FIG. 7

