



US00D816990S

(12) **United States Design Patent**  
**Naito et al.**

(10) **Patent No.:** **US D816,990 S**

(45) **Date of Patent:** **\*\* May 8, 2018**

(54) **CAMERA BAG**

(71) Applicant: **OLYMPUS CORPORATION**,  
Hachioji-shi, Tokyo (JP)

(72) Inventors: **Yoshitaka Naito**, Ome (JP); **Daisuke Tainaka**, Hachioji (JP); **Tatsuhiko Suzuki**, Kunitachi (JP)

(73) Assignee: **OLYMPUS CORPORATION**, Tokyo (JP)

(\*\*) Term: **15 Years**

(21) Appl. No.: **29/583,095**

(22) Filed: **Nov. 2, 2016**

(30) **Foreign Application Priority Data**

Sep. 5, 2016 (JP) ..... 2016-019036

(51) **LOC (11) Cl.** ..... **03-01**

(52) **U.S. Cl.**  
USPC ..... **D3/267**

(58) **Field of Classification Search**

USPC ..... D3/208, 215, 217-228, 243, 263, 267,  
D3/268, 270, 273, 276, 283, 285, 287,  
D3/289, 290, 301; D6/632; D21/618,  
D21/654; 206/316.1, 316.2; 224/908,  
224/583, 612; 150/100, 103-110,  
150/113-114, 117-119, 130, 132,  
150/136-137, 147

CPC .. A45C 1/024; A45C 3/06; A45C 3/08; A45C  
13/08; A45C 13/02; A45C 7/0086; A45C  
3/00; A45C 13/26; A45F 3/04; A45F 3/02

See application file for complete search history.

(56) **References Cited**

**U.S. PATENT DOCUMENTS**

D284,620 S \* 7/1986 Calton ..... D3/217  
5,090,526 A \* 2/1992 Jacober ..... A45C 3/00  
190/107

D352,165 S \* 11/1994 Covertson ..... 2/102  
D352,395 S \* 11/1994 King ..... D3/279  
D399,053 S \* 10/1998 de Moraes ..... D3/216  
D408,133 S \* 4/1999 Francis ..... D3/214  
D451,274 S \* 12/2001 Kegels ..... D3/216  
D456,601 S \* 5/2002 Kegels ..... D3/216  
D463,663 S \* 10/2002 Magana ..... D3/279  
D471,013 S \* 3/2003 Peterson ..... D3/254  
D471,712 S \* 3/2003 Krulik ..... D3/279  
D472,371 S \* 4/2003 Pomare ..... D3/216  
D479,648 S \* 9/2003 De Lathouwer ..... D3/216  
D511,620 S \* 11/2005 Van Himbeek ..... D3/217

(Continued)

**OTHER PUBLICATIONS**

Premium Camera System Backpack CBG-12, GetOlympus.com, [online], [site visited Sep. 28, 2017]. <URL: <http://www.getolympus.com/us/en/premium-camera-system-backpack-cbg-12.html>> (Year: 2017).\*

(Continued)

*Primary Examiner* — T. Chase Nelson

*Assistant Examiner* — Jonathan J. Han

(74) *Attorney, Agent, or Firm* — Holtz, Holtz & Volek PC

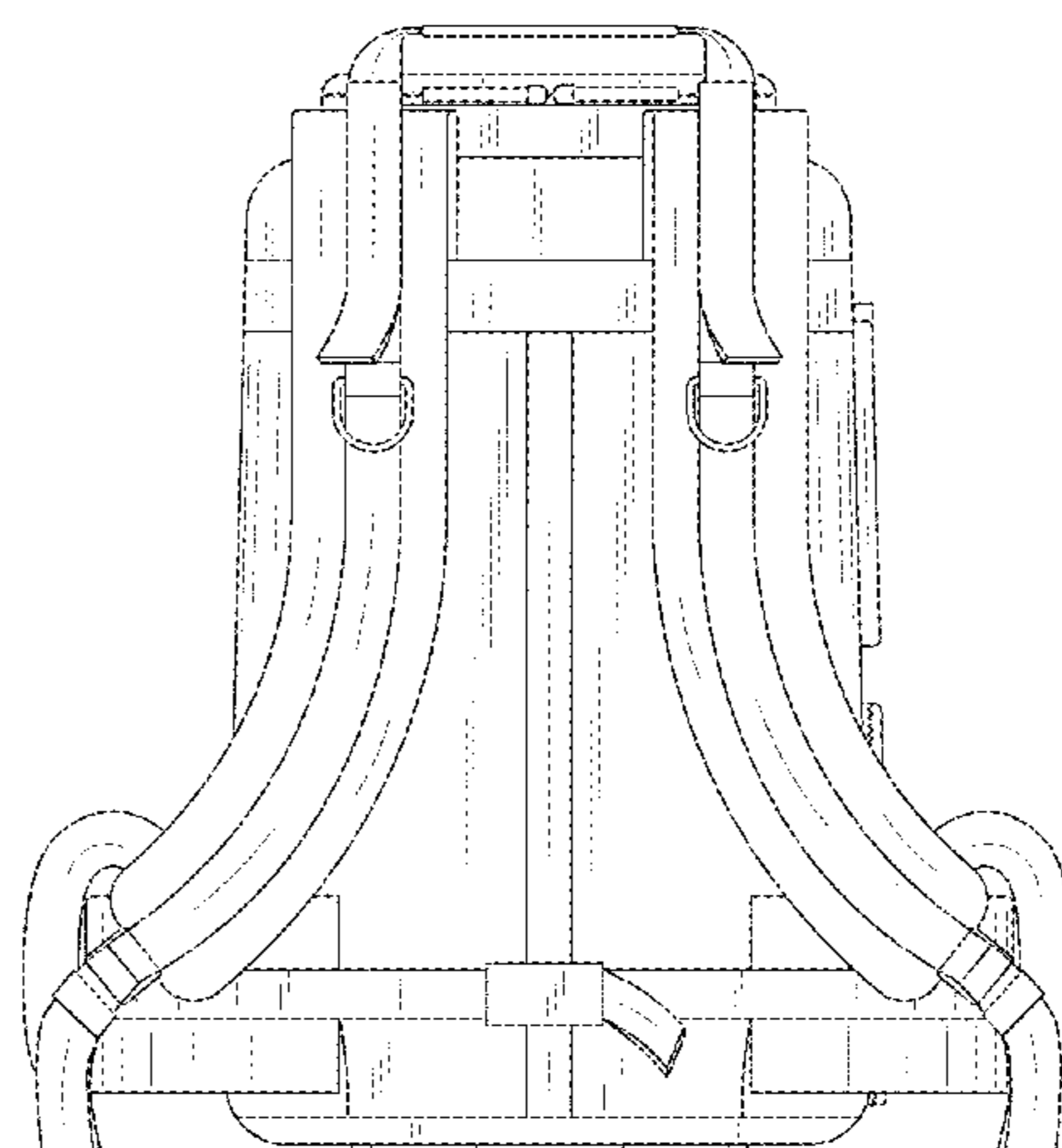
(57) **CLAIM**

The ornamental design for a camera bag, as shown.

**DESCRIPTION**

FIG. 1 is a front, top and left side perspective view of a camera bag showing our new design;  
FIG. 2 is a front elevational view thereof;  
FIG. 3 is a rear elevational view thereof;  
FIG. 4 is a top plan view thereof;  
FIG. 5 is a bottom plan view thereof;  
FIG. 6 is a right side elevational view thereof; and,  
FIG. 7 is a left side elevational view thereof.

**1 Claim, 7 Drawing Sheets**



(56)

References Cited

U.S. PATENT DOCUMENTS

D548,455 S \* 8/2007 Aliberti ..... D3/216  
 D554,862 S \* 11/2007 Hsieh ..... D3/279  
 D598,253 S \* 8/2009 Lesser ..... D7/607  
 D661,085 S \* 6/2012 Custer ..... D3/217  
 8,348,510 B2 \* 1/2013 Mogil ..... A45C 5/02  
 383/105  
 D694,002 S \* 11/2013 Bland ..... D29/101.3  
 D702,434 S \* 4/2014 Chalk ..... D3/216  
 D714,541 S \* 10/2014 Anderson ..... D3/217  
 8,870,045 B1 \* 10/2014 Aguirre ..... A45F 3/04  
 224/581  
 D746,049 S \* 12/2015 Zwetzig ..... D3/217  
 D749,316 S \* 2/2016 Lee ..... D3/217  
 D750,368 S \* 3/2016 Wronski ..... D3/217  
 D783,272 S \* 4/2017 Burton ..... D3/217  
 D798,043 S \* 9/2017 Sassi ..... D3/217  
 2007/0045370 A1 \* 3/2007 Hsieh ..... A45C 5/14  
 224/576  
 2011/0198374 A1 \* 8/2011 Majeau ..... A45F 3/04  
 224/245  
 2013/0075438 A1 \* 3/2013 Christy ..... A45F 3/042  
 224/644

2015/0048133 A1 \* 2/2015 Alba ..... F41H 5/08  
 224/576  
 2016/0007719 A1 \* 1/2016 Harstvedt ..... A45F 3/04  
 224/645  
 2016/0051038 A1 \* 2/2016 Okulovich ..... A45F 3/04  
 224/576

OTHER PUBLICATIONS

Olympus Backpack Mirrorless System Backpack CBG-12, Amazon.com, Date first available at Amazon.com: Nov. 1, 2016, [online], [site visited Sep. 28, 2017]. <URL: <https://www.amazon.com/Olympus-Backpack-Mirrorless-CBG-12-full-size/dp/B01M5G2Z1A/ref=> (Year: 2017).\*

CBG-12 Camera Backpack | Olympus, YouTube.com, OlympusOMD, Published on Sep. 19, 2016, [online], [site visited Sep. 28, 2017]. <URL: <https://www.youtube.com/watch?v=XXFx17iAMvk>> (Year: 2017).\*

Evecase Extra Large DSLR Camera / 15.6 inch Laptop Travel Daypack Backpack, Amazon.com, Date first available at Amazon.com: Apr. 24, 2015, [online], [site visited Sep. 28, 2017]. <URL: <https://www.amazon.com/gp/product/B00WQTLB0G/ref=> Year: 2017).\*

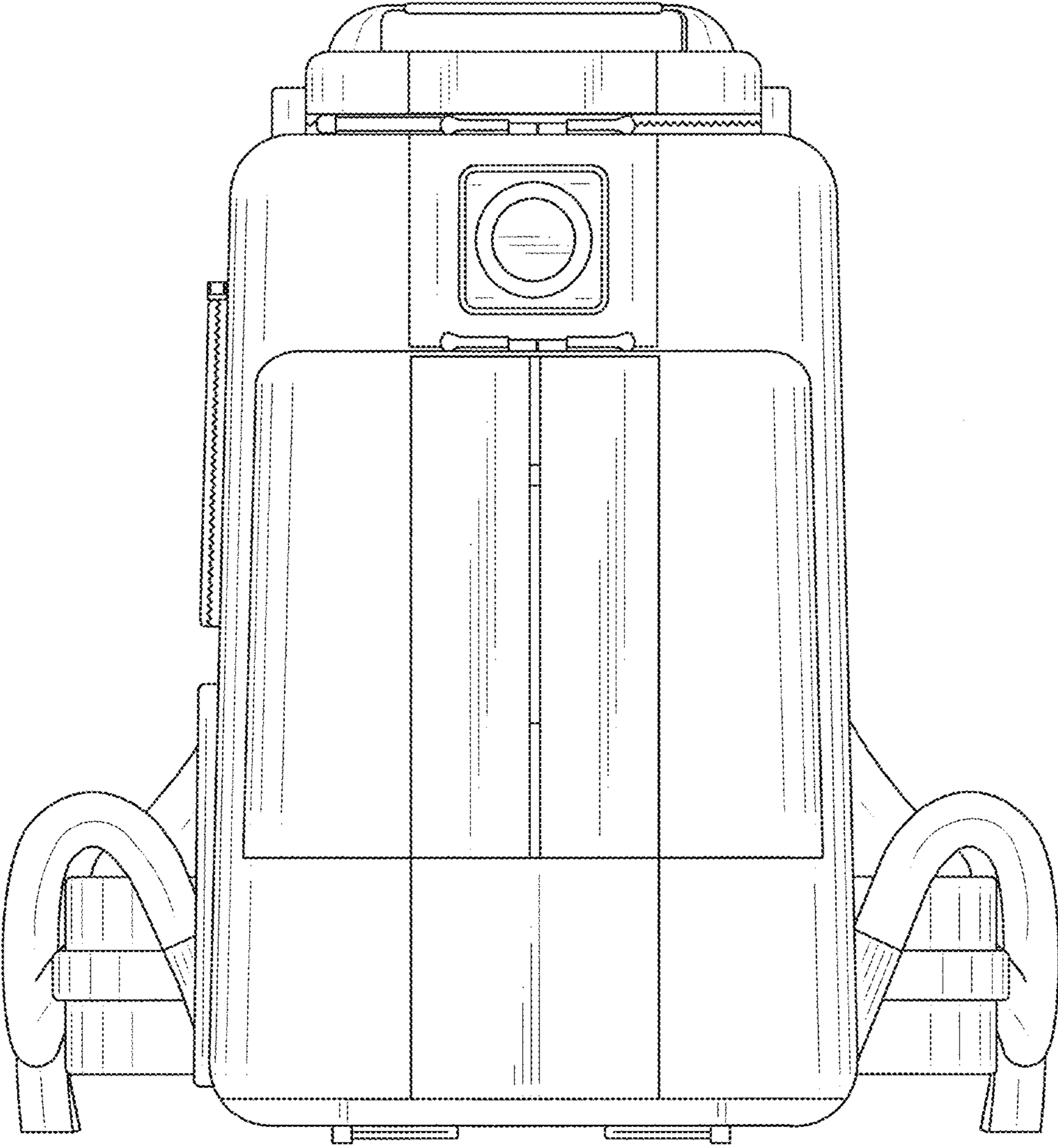
\* cited by examiner



FIG. 1



**FIG.2**



**FIG.3**

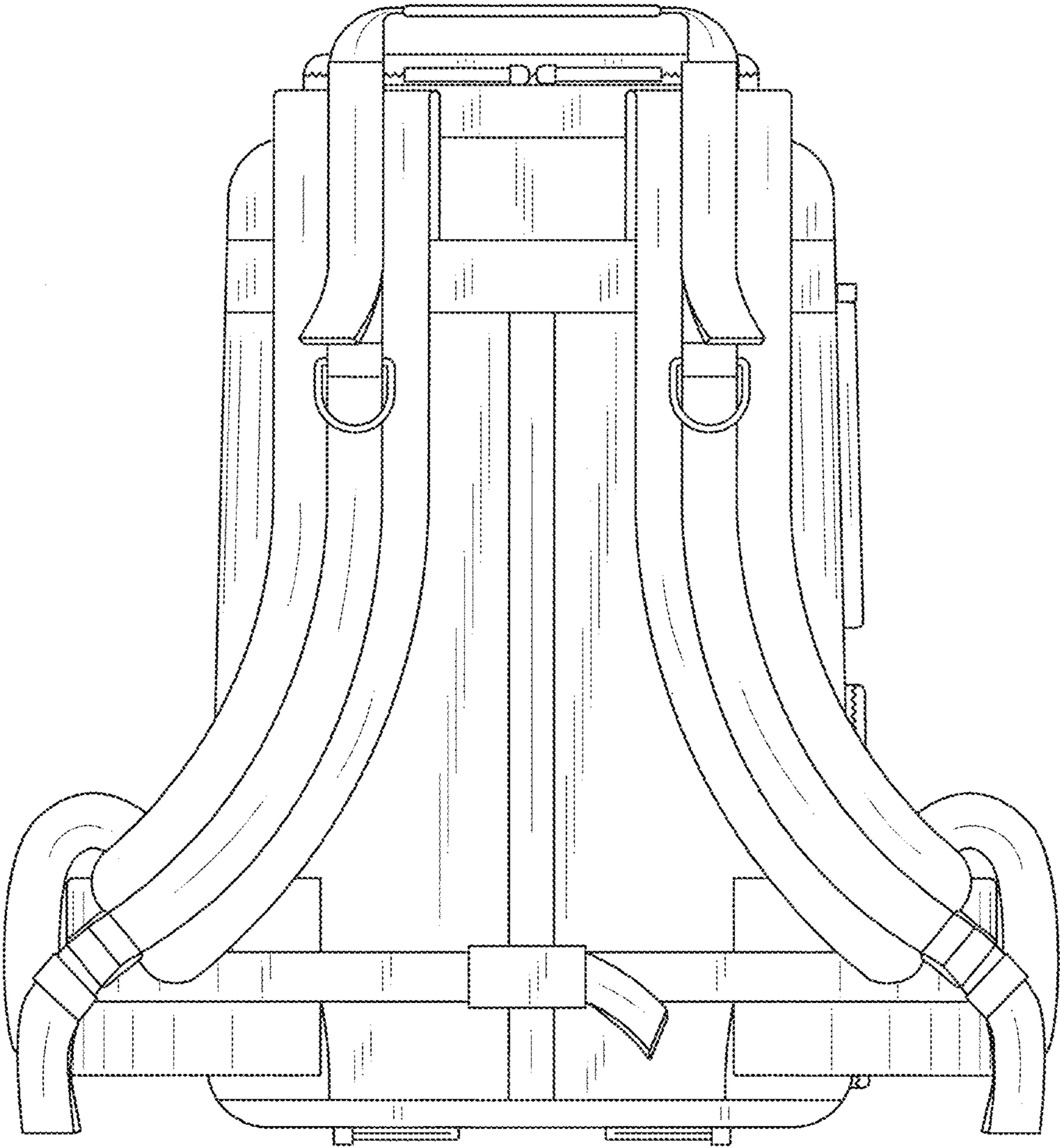
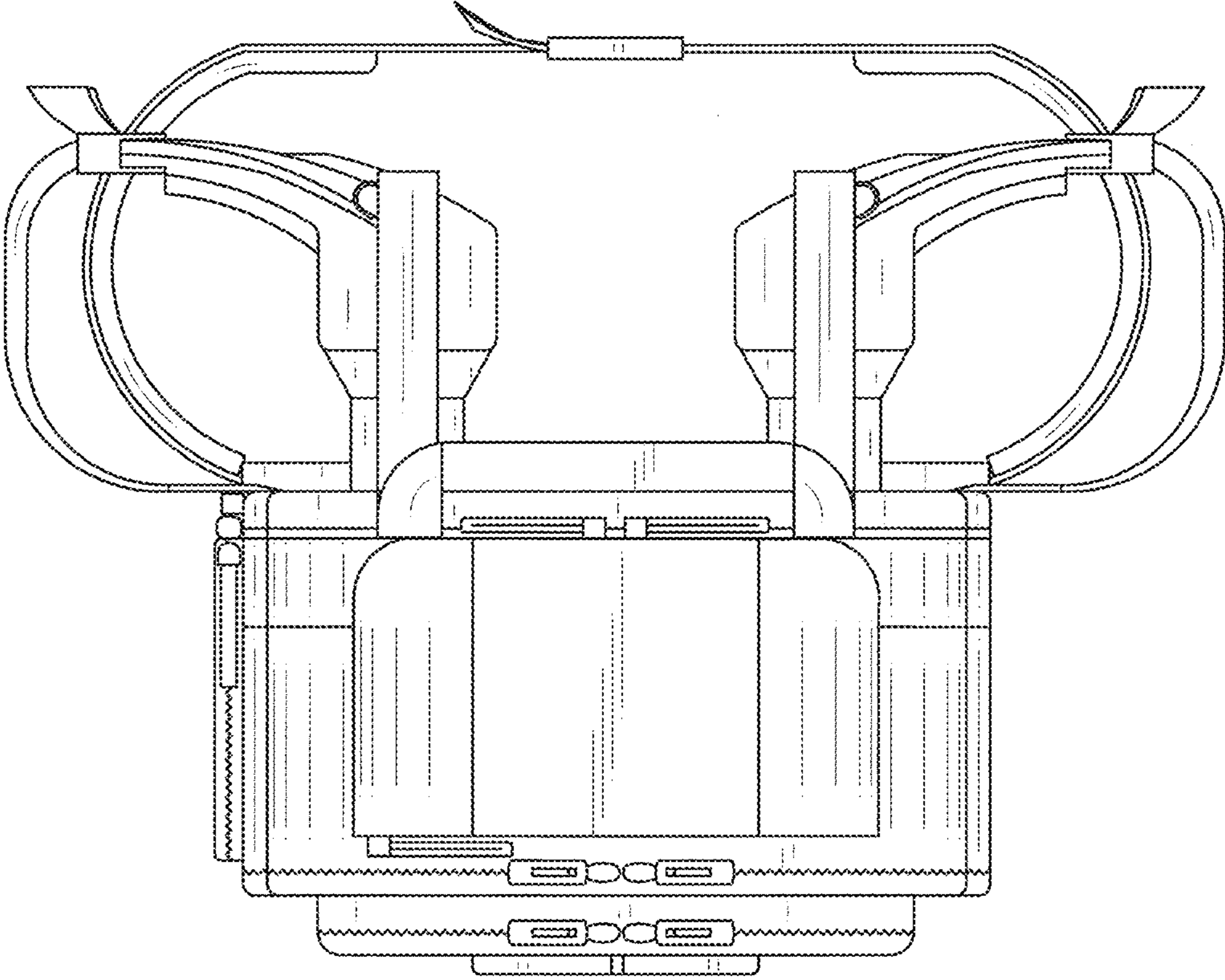
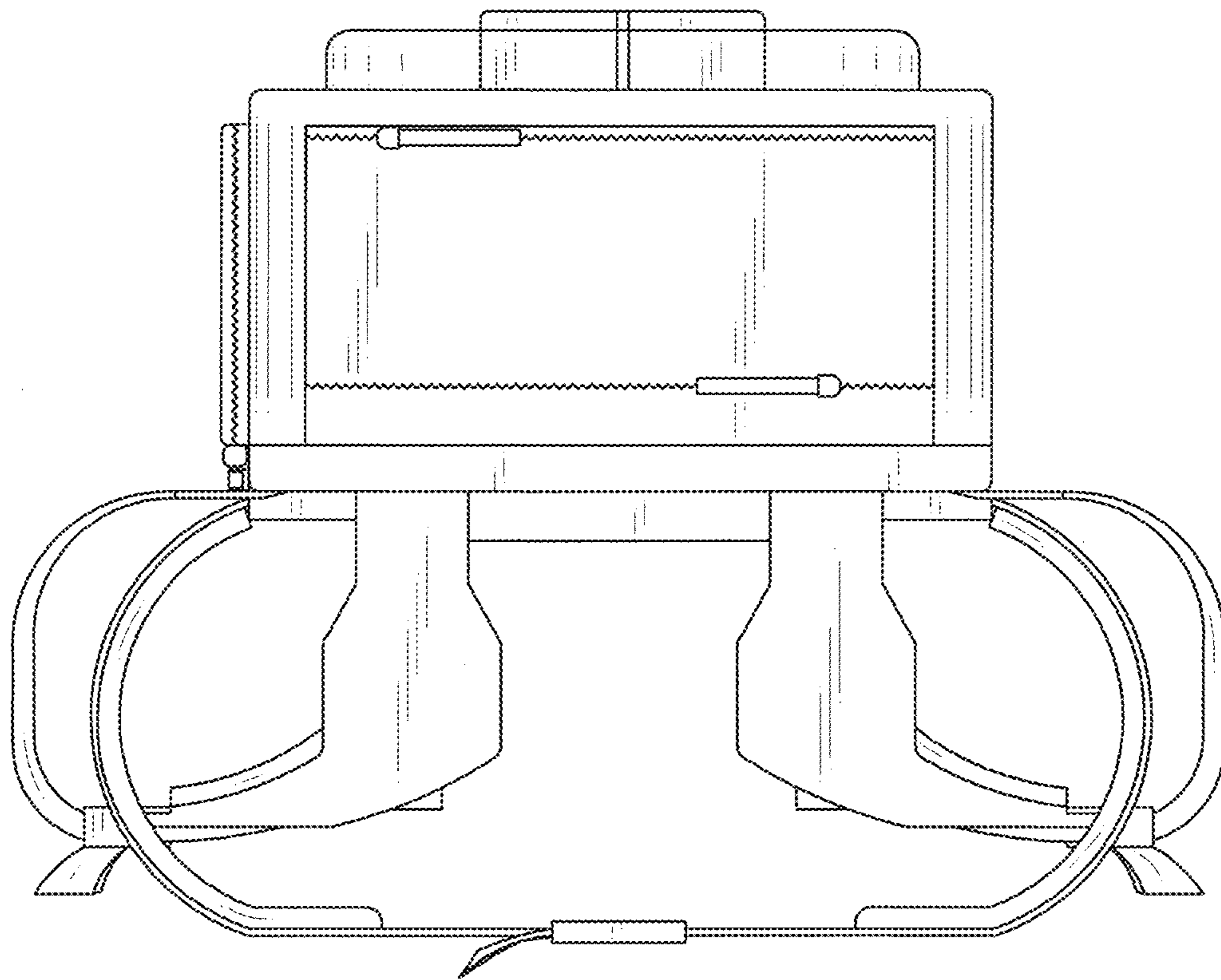


FIG.4





**FIG.5**



**FIG. 6**

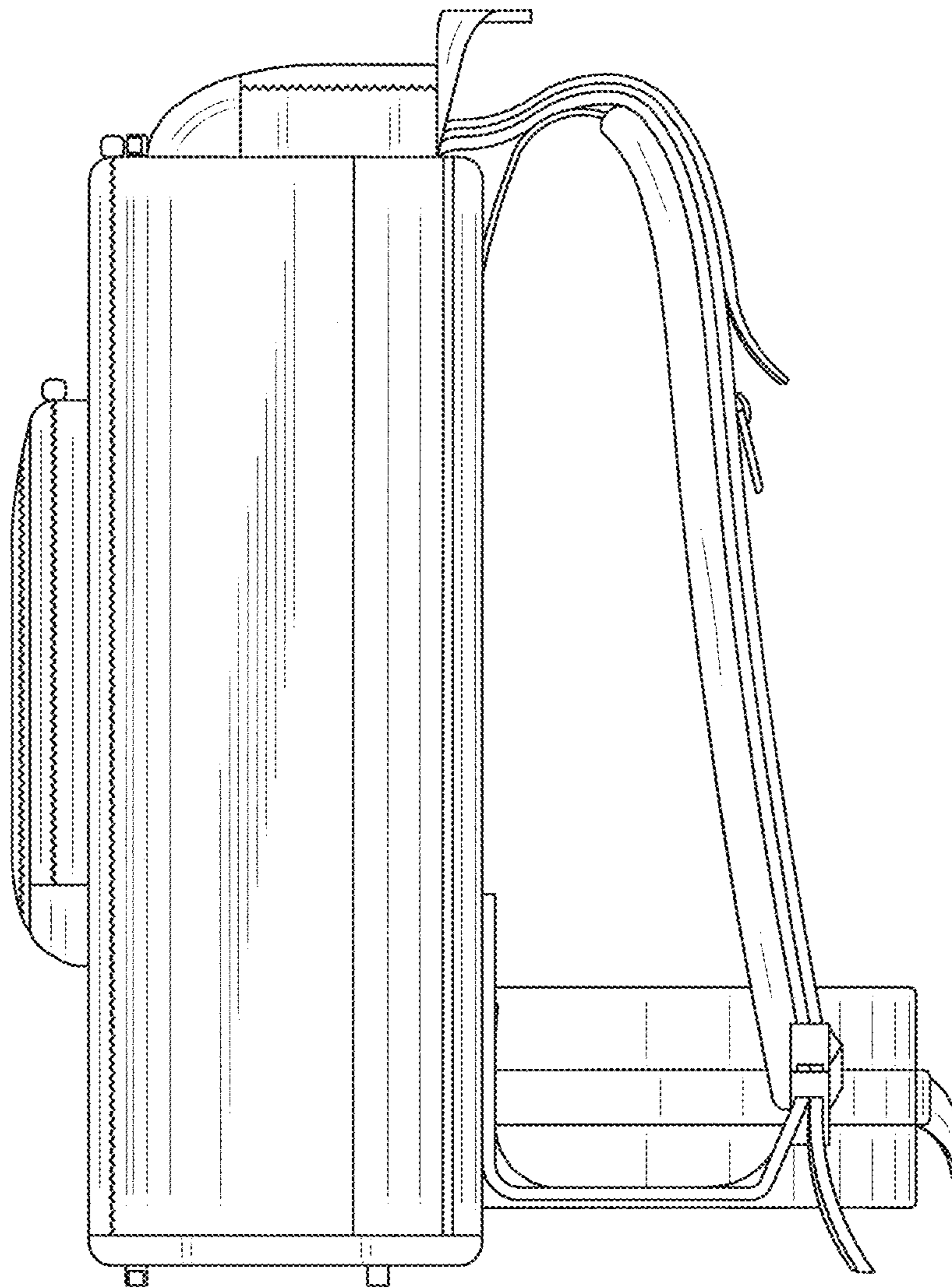




FIG. 7

