



US00D816987S

(12) **United States Design Patent**
Grote

(10) **Patent No.:** **US D816,987 S**
(45) **Date of Patent:** **** May 8, 2018**

(54) **WALLET STYLE PORTABLE ELECTRONIC DEVICE CASE**

DESCRIPTION

- (71) Applicant: **GRIFFIN TECHNOLOGY, LLC**, Irvine, CA (US)
- (72) Inventor: **Paul S. Grote**, Old Hickory, TN (US)
- (73) Assignee: **Griffin Technology, LLC**, Irvine, CA (US)
- (**) Term: **15 Years**
- (21) Appl. No.: **29/592,448**
- (22) Filed: **Jan. 30, 2017**

Related U.S. Application Data

- (63) Continuation of application No. 29/534,622, filed on Jul. 30, 2015, now Pat. No. Des. 777,421.
- (51) **LOC (11) Cl.** **03-01**
- (52) **U.S. Cl.**
USPC **D3/218**
- (58) **Field of Classification Search**
USPC D14/250, 341-347, 130, 138 C, 138 G, D14/138 R, 138 AA, 147, 203.1, 203.3,
(Continued)

(56) **References Cited**

U.S. PATENT DOCUMENTS

- 2,755,837 A * 7/1956 Kosek A45C 3/02
190/901
- D582,405 S * 12/2008 Andre D3/299
(Continued)

Primary Examiner — Freda S Nunn

(74) *Attorney, Agent, or Firm* — Manatt, Phelps & Phillips, LLP

(57) **CLAIM**

The ornamental design for wallet style portable electronic device case, as shown and described.

FIG. 1 is a front perspective view of the new design for a wallet style portable electronic device case with the case in the open position.

FIG. 2 is a rear perspective view of the wallet style portable electronic device case with the case in the open position.

FIG. 3 is a front view of the wallet style portable electronic device case with the case in the open position.

FIG. 4 is a top view of the wallet style portable electronic device case with the case in the open position.

FIG. 5 is a bottom view of the wallet style portable electronic device case with the case in the open position.

FIG. 6 is a left side view of the wallet style portable electronic device case with the case in the open position.

FIG. 7 is a right side view of the wallet style portable electronic device case with the case in the open position.

FIG. 8 is a rear view of the wallet style portable electronic device case with the case in the open position.

FIG. 9 is a front perspective view of the new design for a wallet style portable electronic device case with the case in the closed position.

FIG. 10 is a rear perspective view of the wallet style portable electronic device case with the case in the closed position.

FIG. 11 is a front view of the wallet style portable electronic device case with the case in the closed position.

FIG. 12 is a top view of the wallet style portable electronic device case with the case in the closed position.

FIG. 13 is a bottom view of the wallet style portable electronic device case with the case in the closed position.

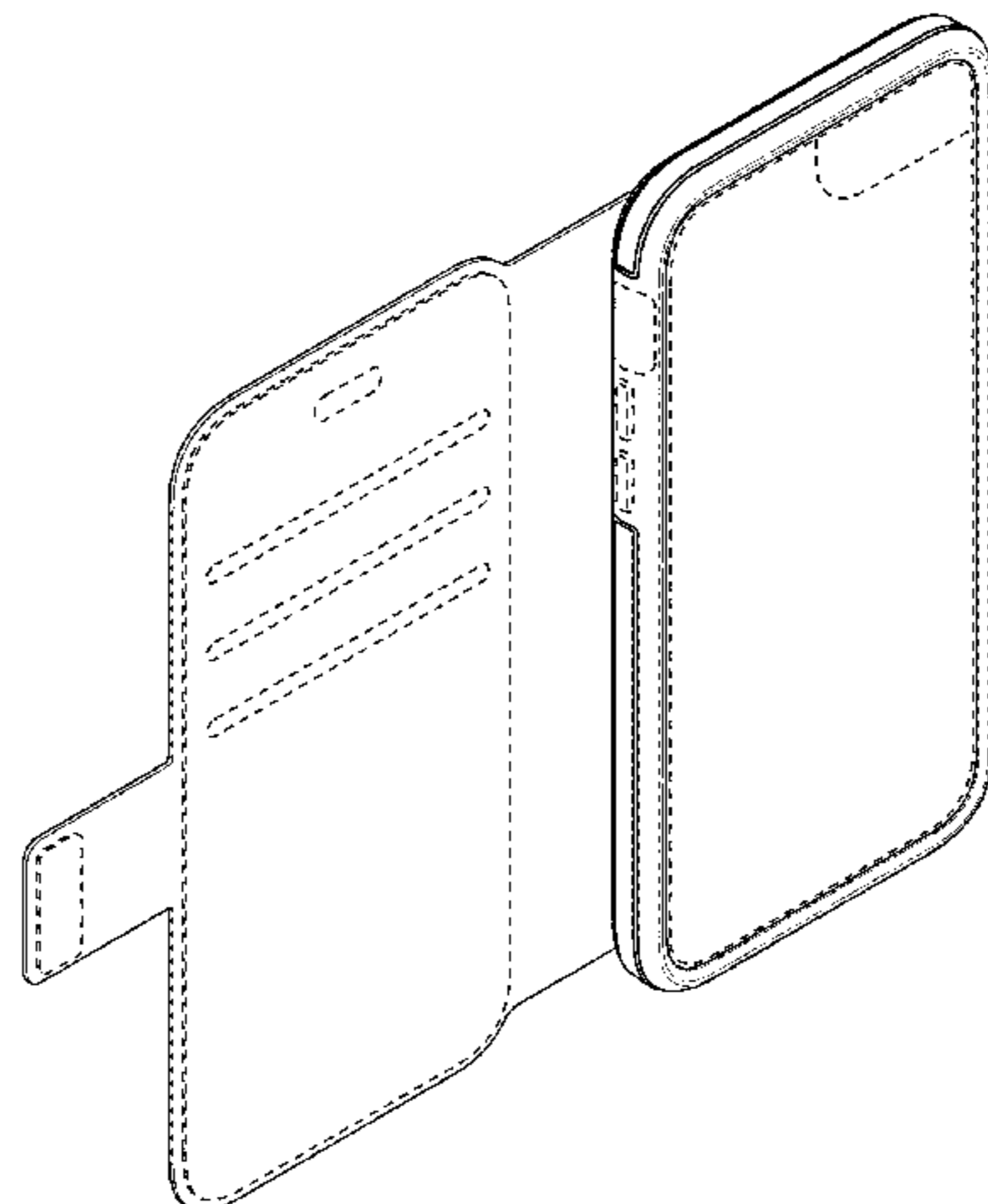
FIG. 14 is a left side view of the wallet style portable electronic device case with the case in the closed position.

FIG. 15 is a right side view of the wallet style portable electronic device case with the case in the closed position; and,

FIG. 16 is a rear view of the wallet style portable electronic device case with the case in the closed position.

Broken lines shown in the drawings represent environment only and form no part of the claimed design.

1 Claim, 8 Drawing Sheets



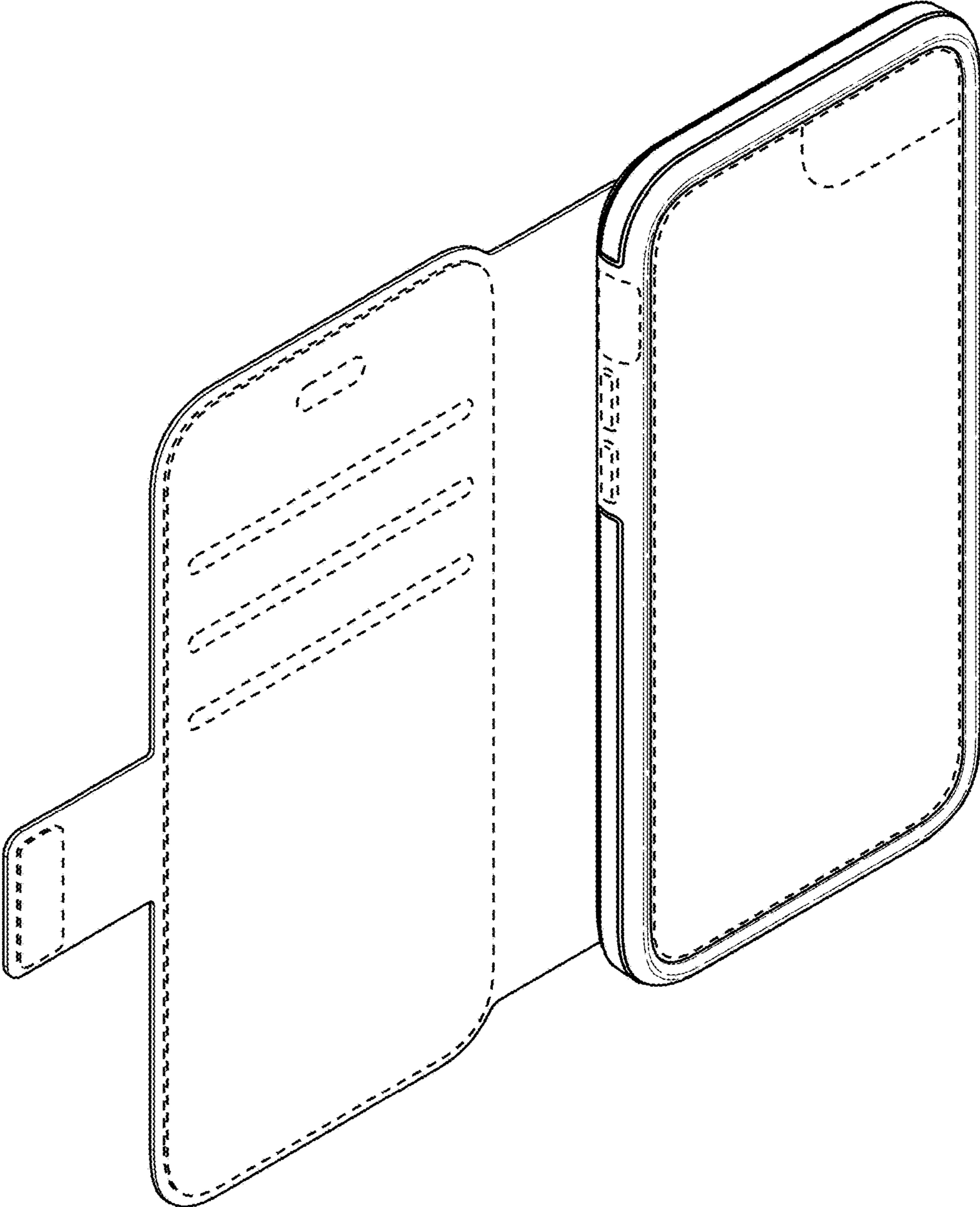


FIG. 1

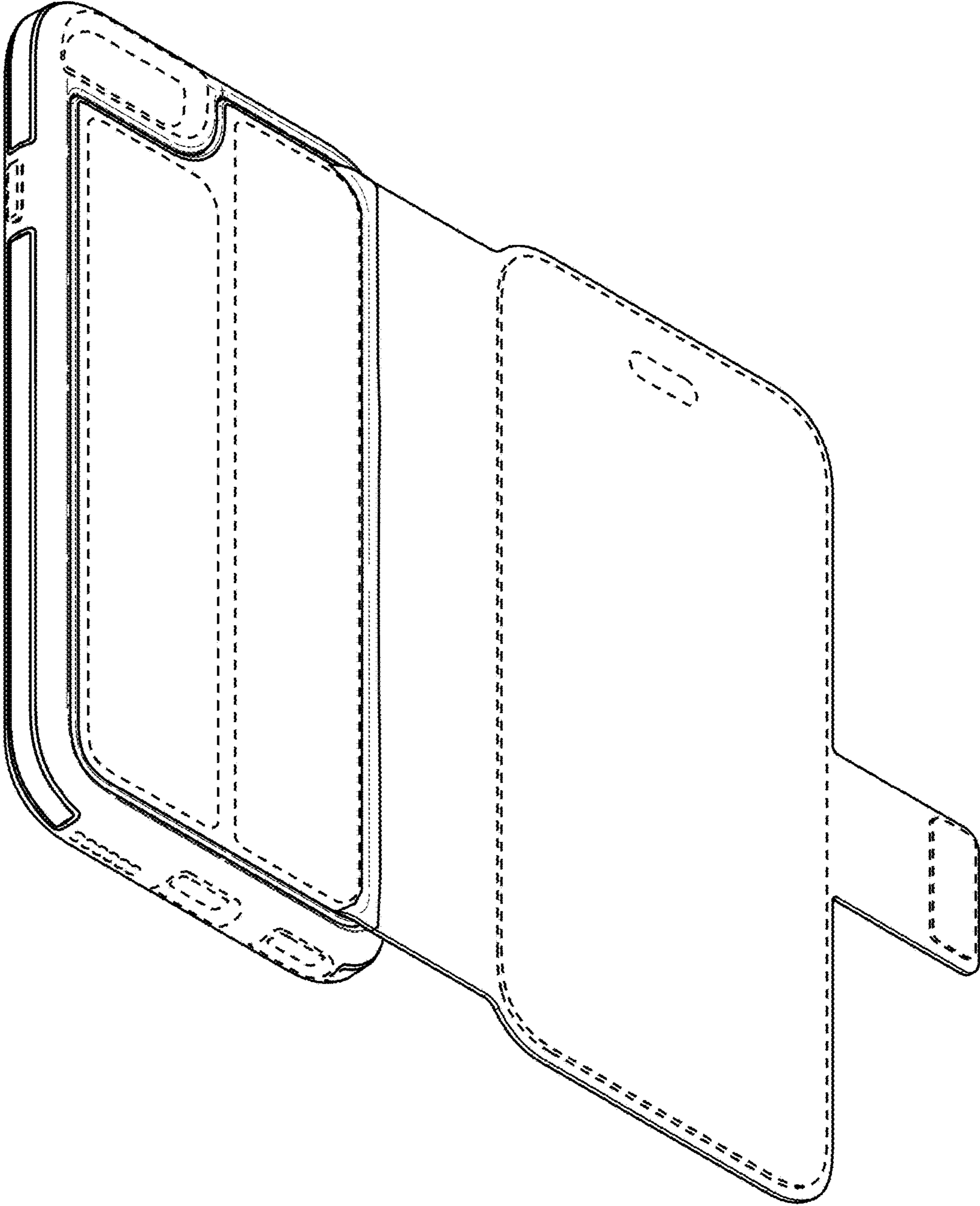


FIG. 2

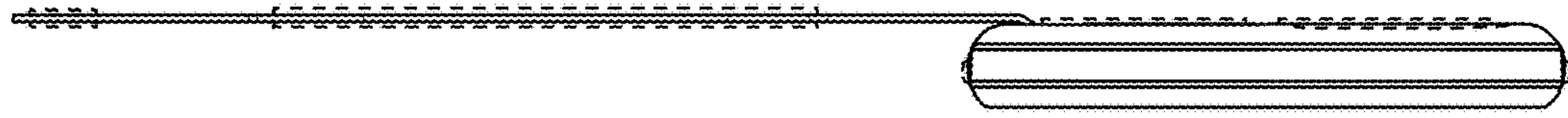


FIG. 4

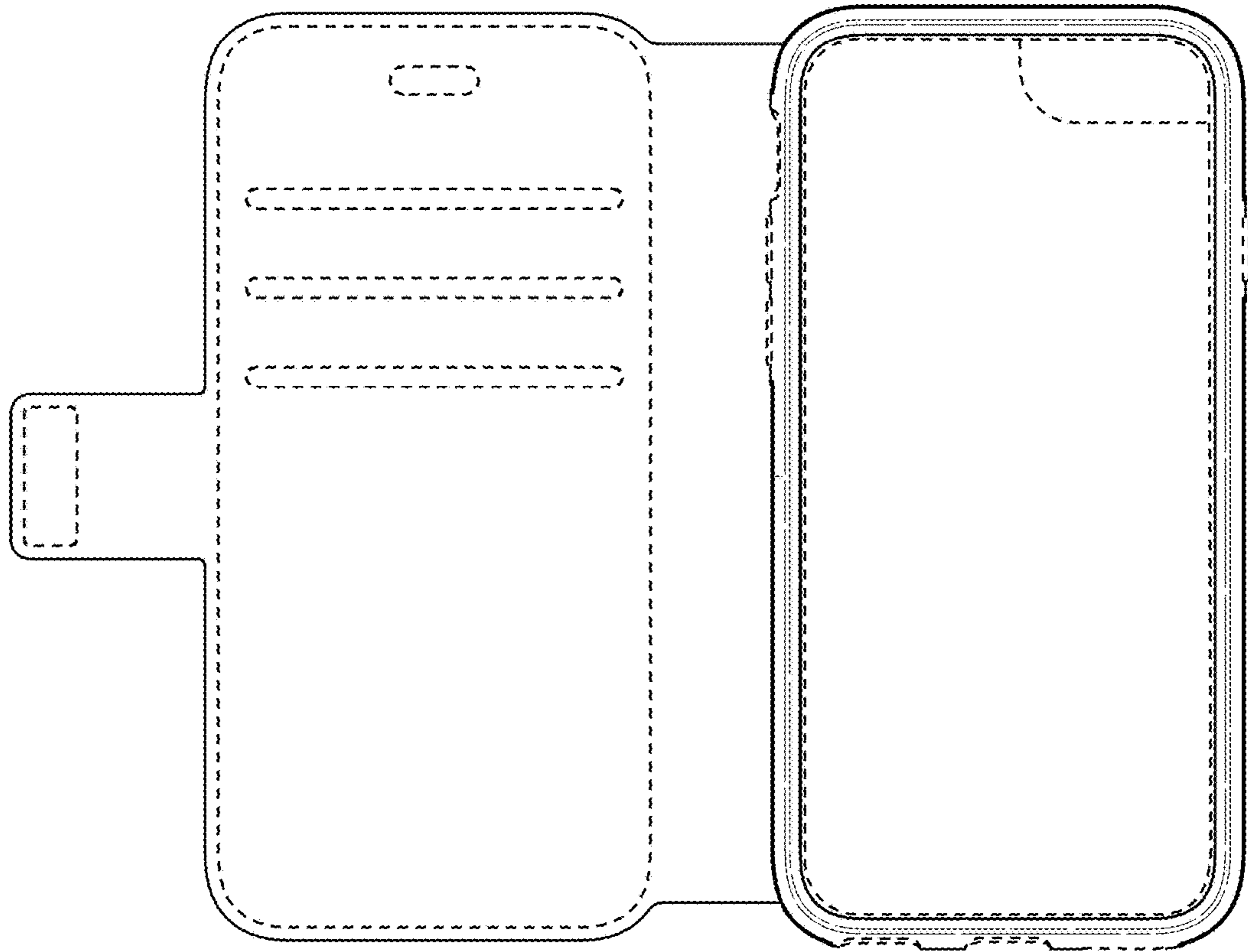


FIG. 3

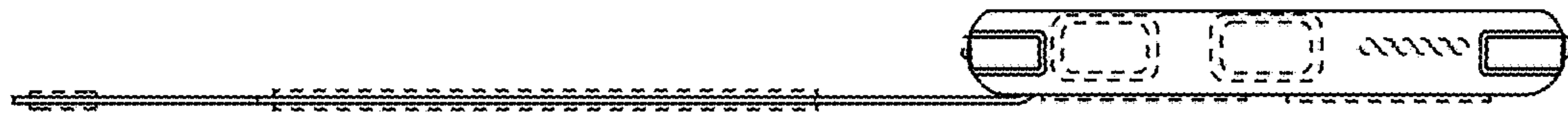


FIG. 5



FIG. 6

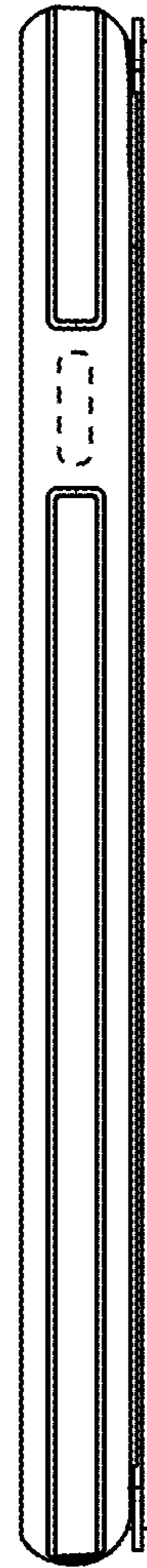


FIG. 7

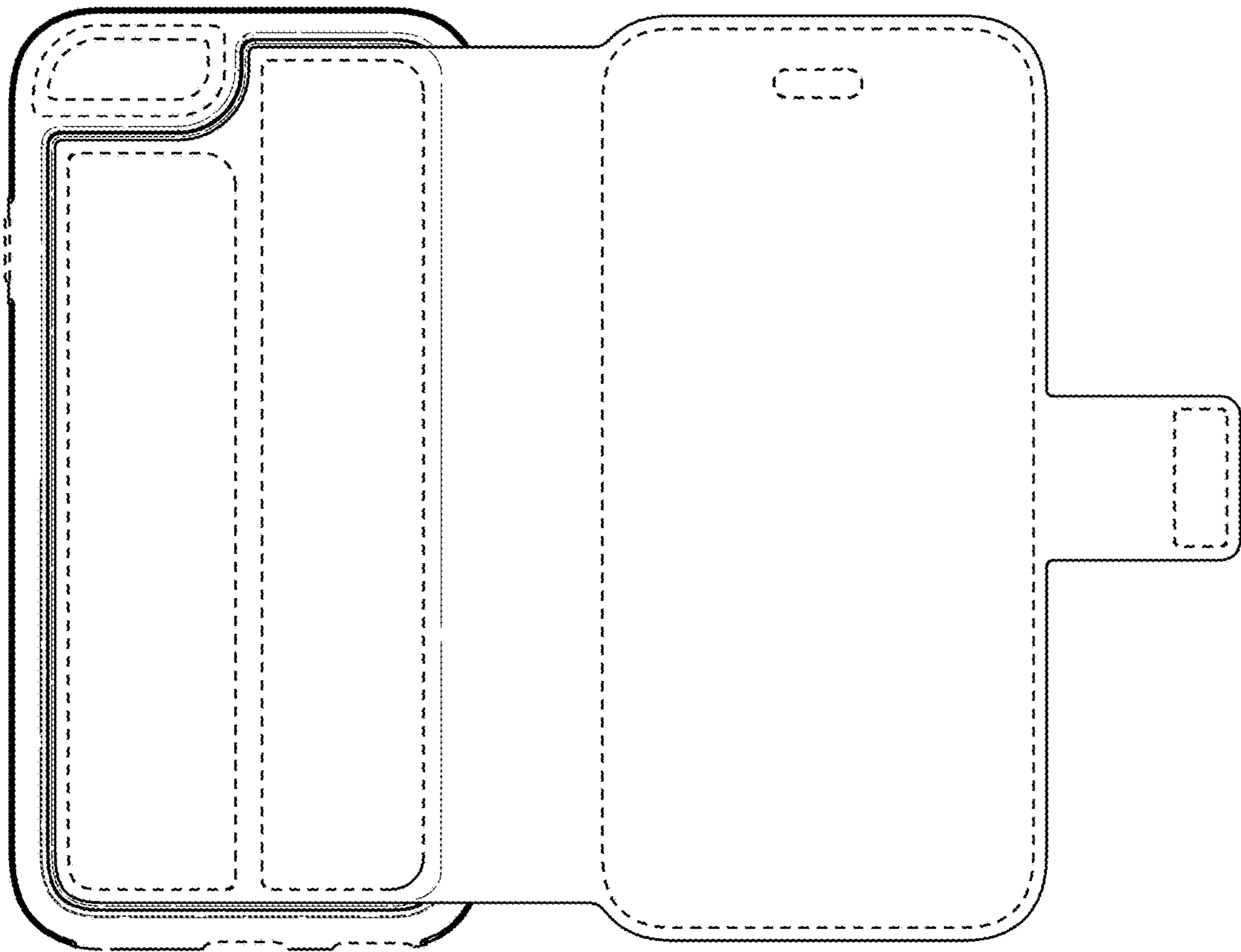


FIG. 8

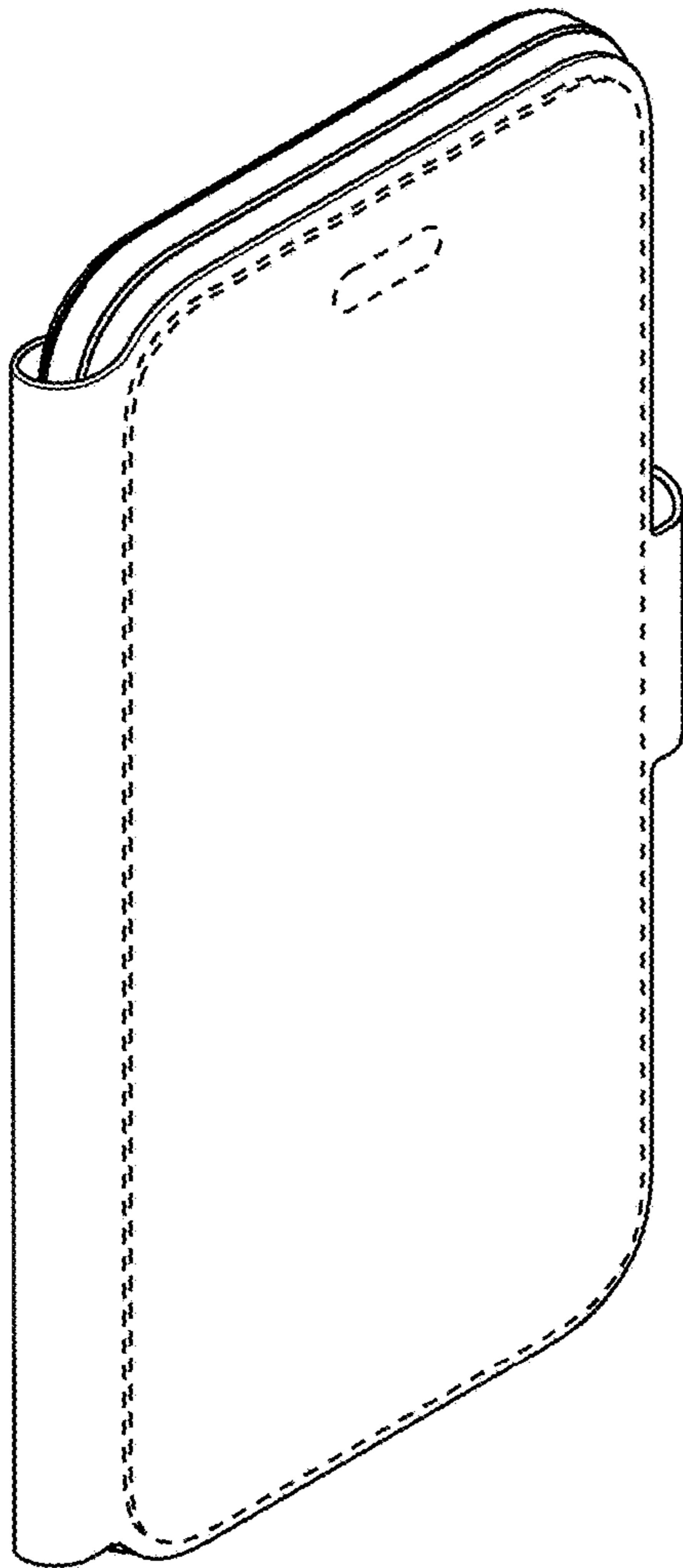


FIG. 9

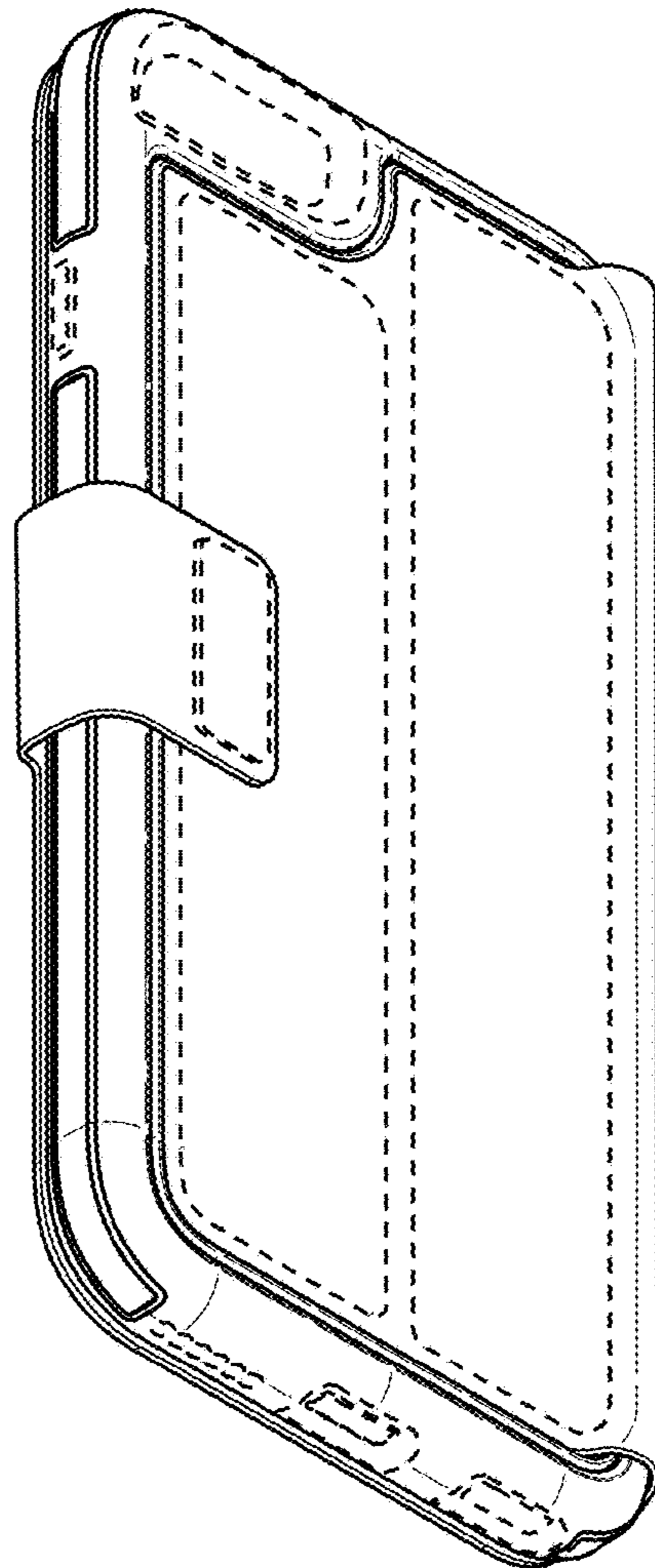


FIG. 10

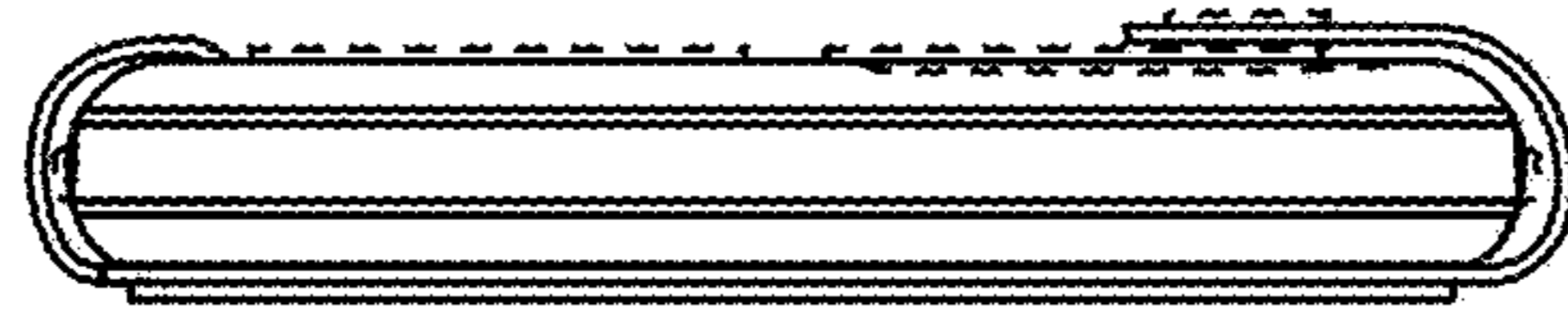


FIG. 12

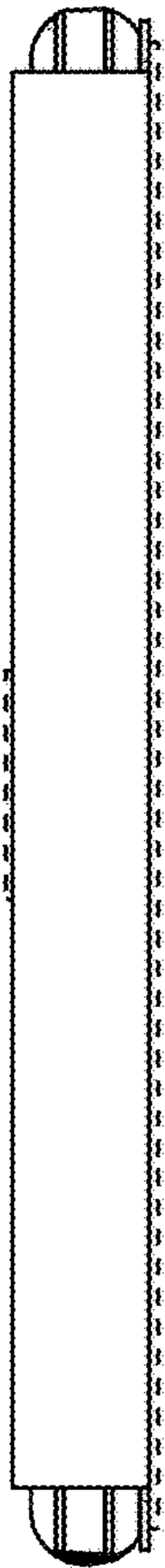


FIG. 14

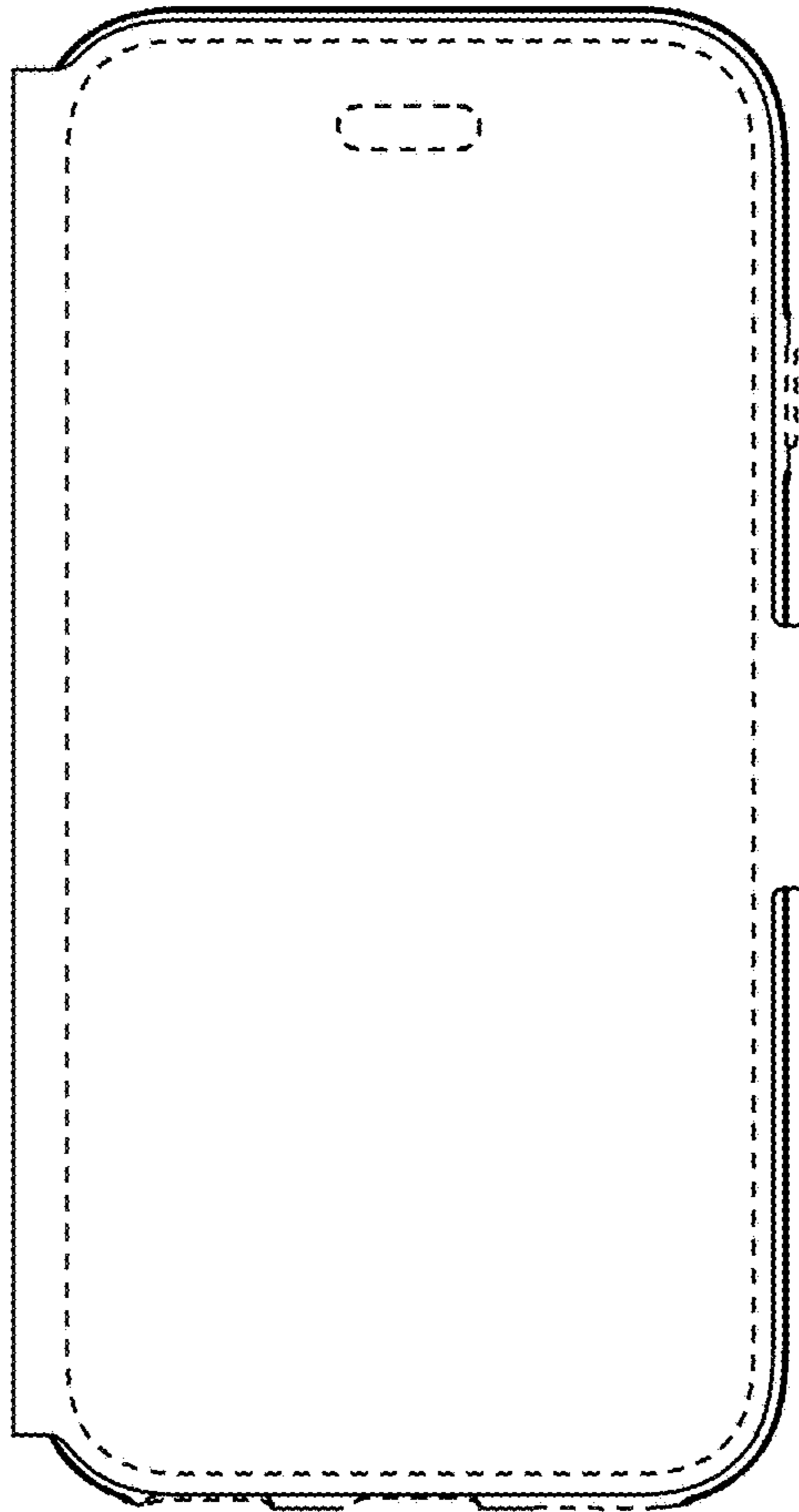


FIG. 11



FIG. 15



FIG. 13

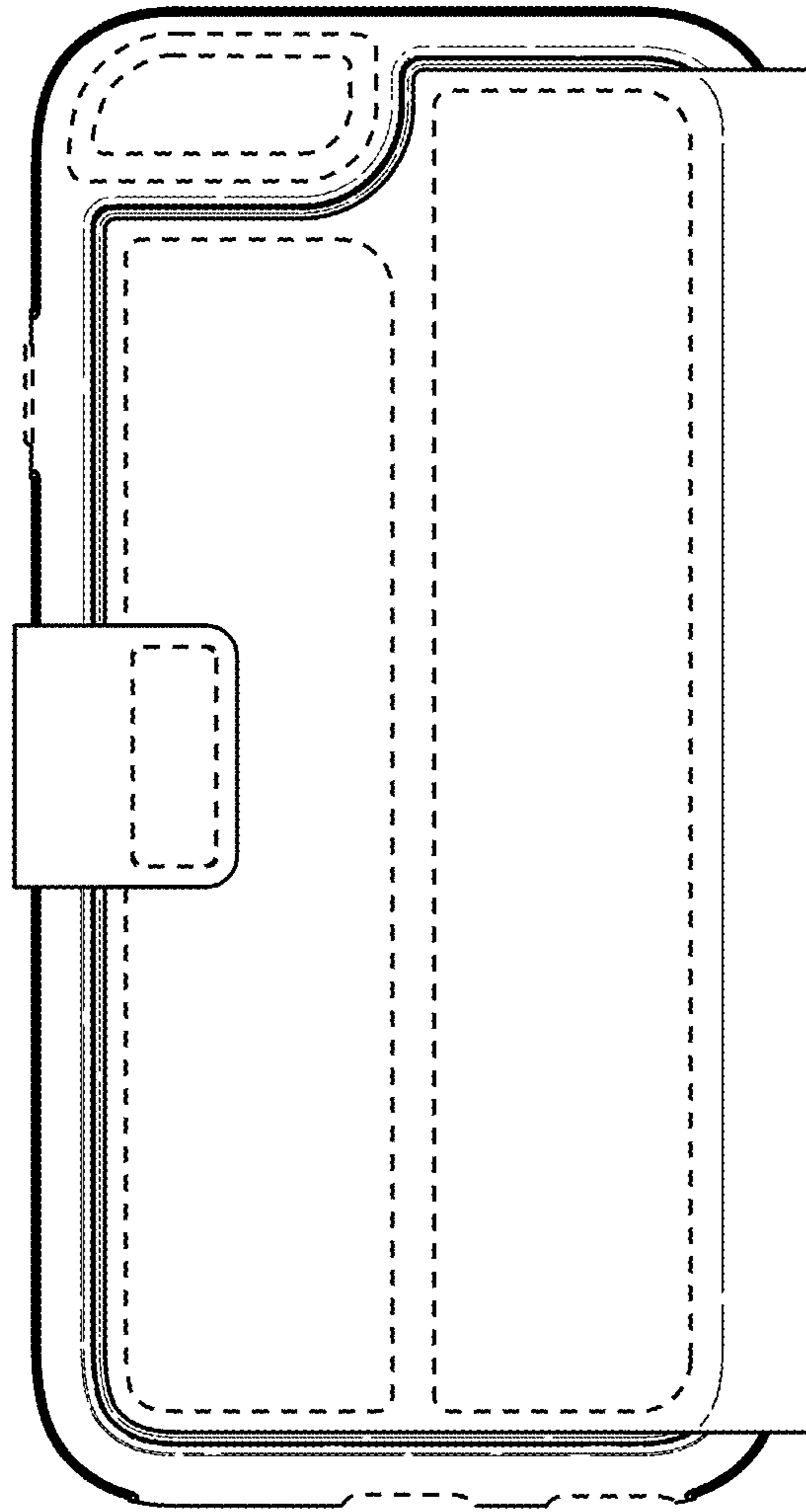


FIG. 16