



US00D816983S

(12) **United States Design Patent** (10) **Patent No.:** **US D816,983 S**  
**LiCalsi** (45) **Date of Patent:** **\*\* May 8, 2018**

(54) **FLASK**  
(71) Applicant: **Nelson LiCalsi**, Port Washington, NY (US)  
(72) Inventor: **Nelson LiCalsi**, Port Washington, NY (US)  
(\*\*) Term: **15 Years**  
(21) Appl. No.: **29/593,755**  
(22) Filed: **Feb. 13, 2017**  
(51) **LOC (11) Cl.** ..... **03-01**  
(52) **U.S. Cl.**  
USPC ..... **D3/202**  
(58) **Field of Classification Search**  
USPC ..... D3/201, 202; D7/619.1; D9/522, 523  
CPC ..... B65D 1/02; B65D 1/0223; B65D 43/16;  
B65D 21/0231; B65D 23/102; B65D  
41/04  
See application file for complete search history.

D718,044 S \* 11/2014 Vargo ..... D3/202  
D720,620 S \* 1/2015 Gerard ..... D9/522  
D730,317 S \* 5/2015 Silvera ..... D14/207  
D736,517 S \* 8/2015 Lee ..... D3/202  
D746,261 S \* 12/2015 Silvera ..... D14/207  
D775,530 S \* 1/2017 Gayner ..... D9/563  
2002/0139797 A1\* 10/2002 Danze ..... A45C 7/005  
220/4.27  
2004/0020950 A1\* 2/2004 Overbay ..... A45F 3/18  
224/148.7  
2005/0224088 A1\* 10/2005 Willis ..... A24F 3/00  
131/329  
2005/0247732 A1\* 11/2005 Duke ..... B65D 75/5883  
222/183

\* cited by examiner

*Primary Examiner* — John Windmuller  
*Assistant Examiner* — Steven J Czyz  
(74) *Attorney, Agent, or Firm* — Powley & Gibson, P.C.

(57) **CLAIM**

I claim the ornamental design for a flask, as shown and described.

**DESCRIPTION**

FIG. 1 is a perspective view of a flask, showing my new design;  
FIG. 2 is a front view thereof;  
FIG. 3 is a rear view thereof;  
FIG. 4 is a left side view thereof;  
FIG. 5 is a right side view thereof;  
FIG. 6 is a top view thereof; and,  
FIG. 7 is a bottom side view thereof.  
The lighter and thinner broken lines on the top of the article depict portions of the article that form no part of the claimed design.  
The darker and thicker broken lines that run the perimeter of the flask represent stitching on the article and are claimed.

**1 Claim, 4 Drawing Sheets**

(56) **References Cited**

**U.S. PATENT DOCUMENTS**

1,846,720 A \* 2/1932 Guild ..... B65D 39/08  
220/291  
D254,596 S \* 4/1980 Spigelman ..... D9/522  
D340,864 S \* 11/1993 De Rothschild ..... D9/522  
D521,230 S \* 5/2006 Linz ..... D3/202  
D539,150 S \* 3/2007 Leoncavallo ..... D9/454  
D562,138 S \* 2/2008 Warner ..... D9/522  
D604,165 S \* 11/2009 Gilbert ..... D9/443  
D611,811 S \* 3/2010 Gilbert ..... D9/443  
D614,497 S \* 4/2010 Pola ..... D9/443  
D623,058 S \* 9/2010 Gilbert ..... D9/443  
D635,864 S \* 4/2011 Lee ..... D9/521  
D702,433 S \* 4/2014 Romley ..... D3/202  
8,777,040 B2\* 7/2014 Wahl ..... A47G 19/2266  
215/237

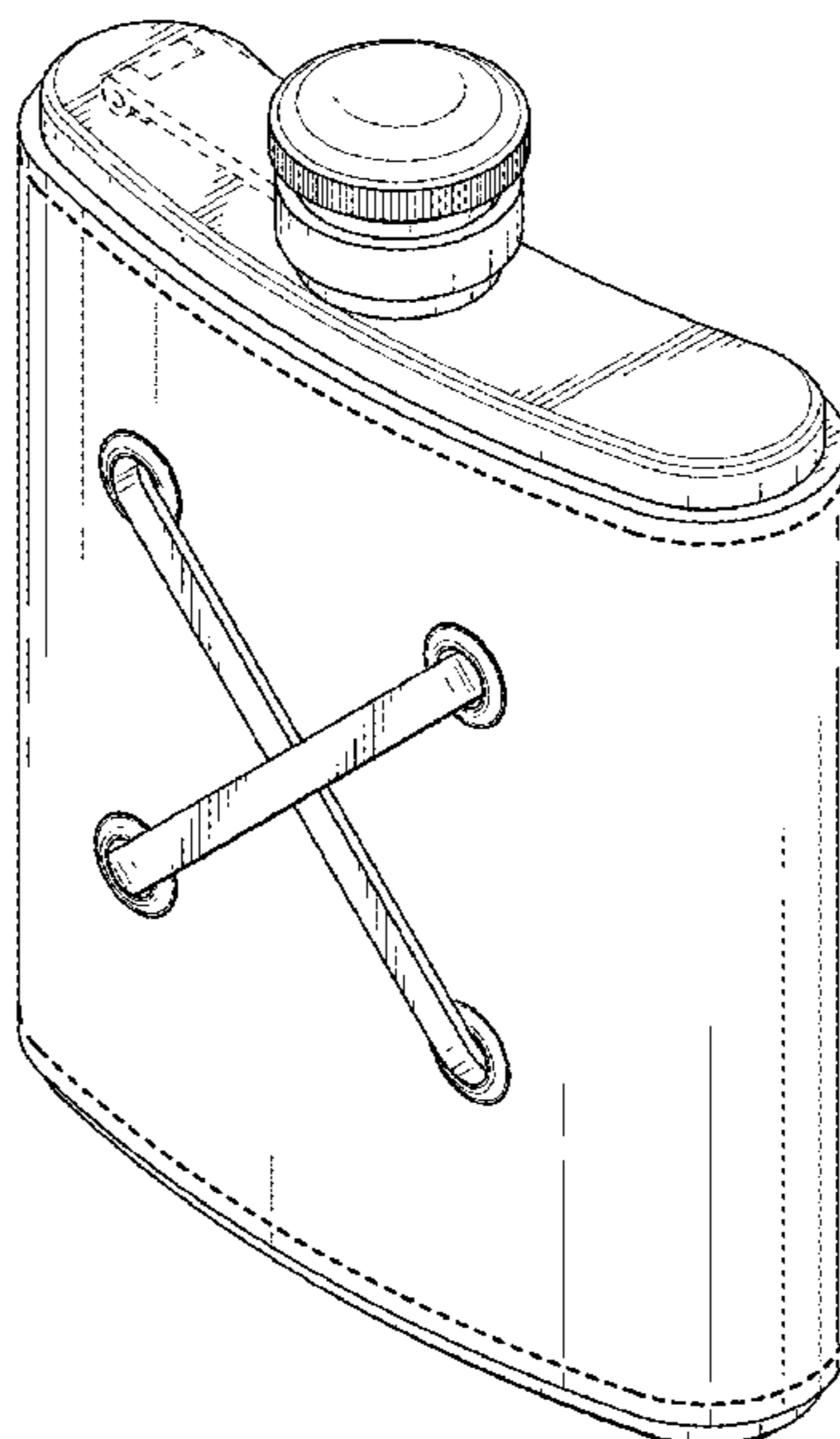


FIG. 1

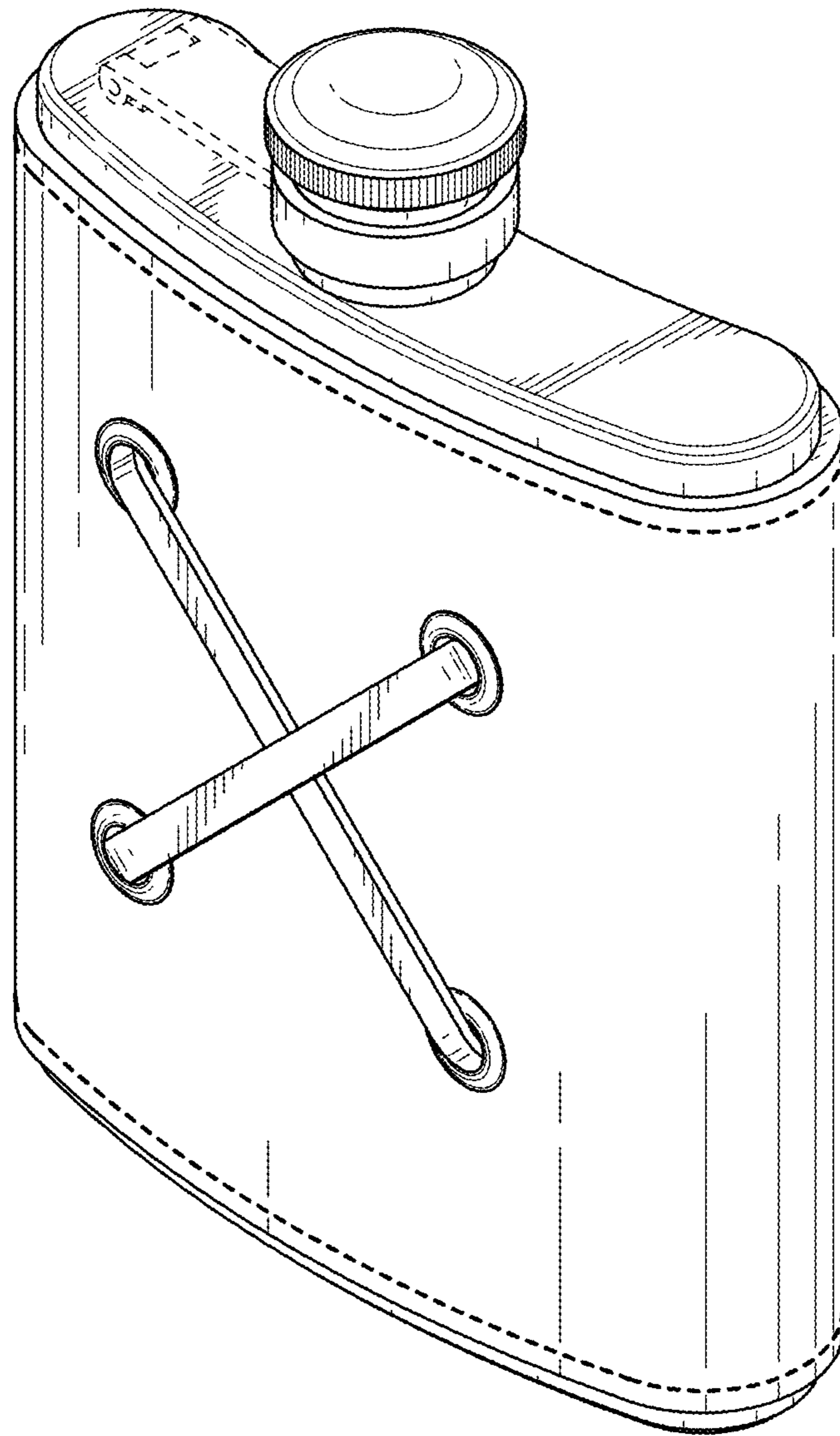


FIG. 3

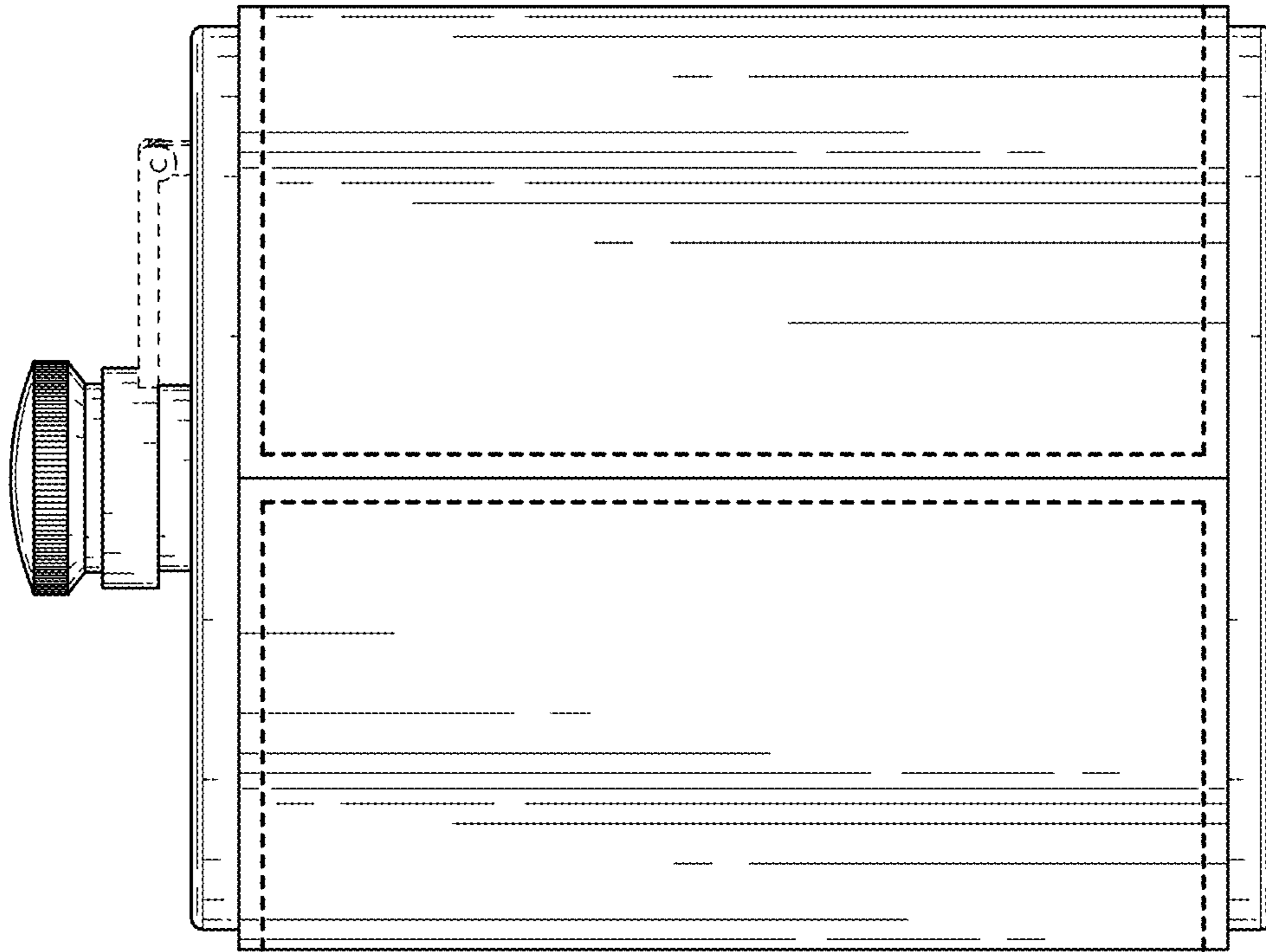


FIG. 2

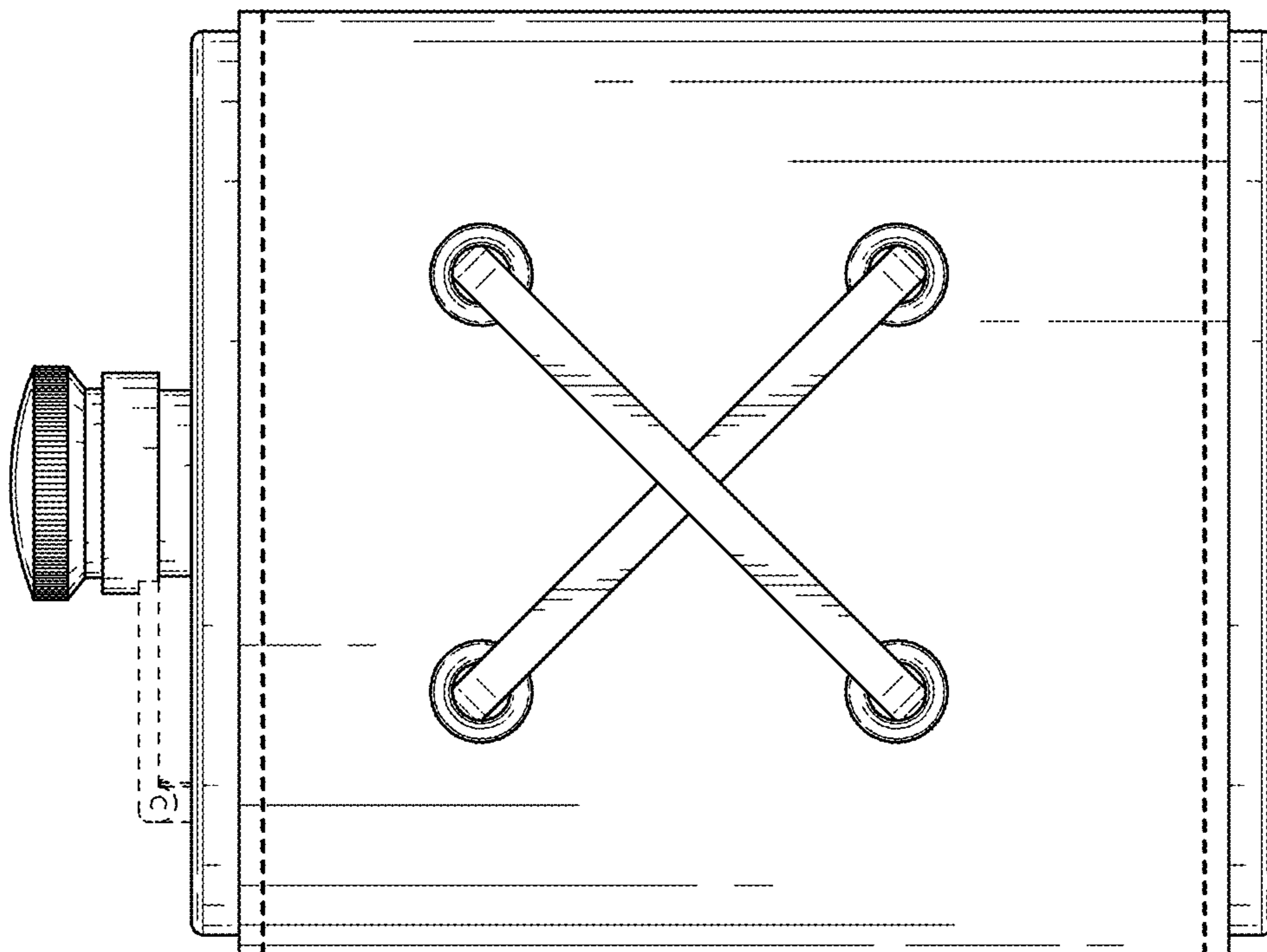


FIG. 4

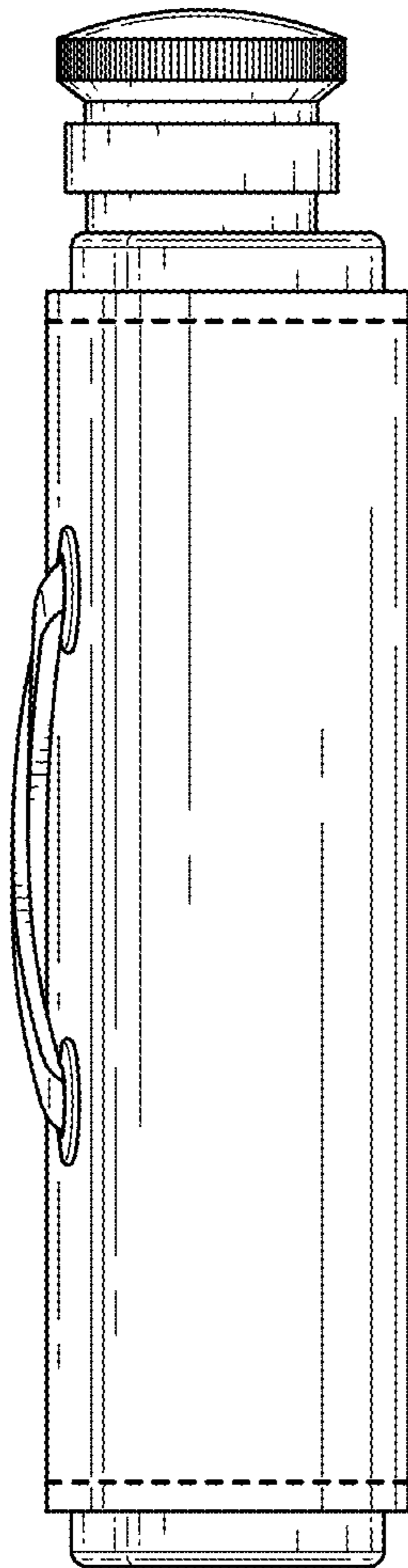


FIG. 5

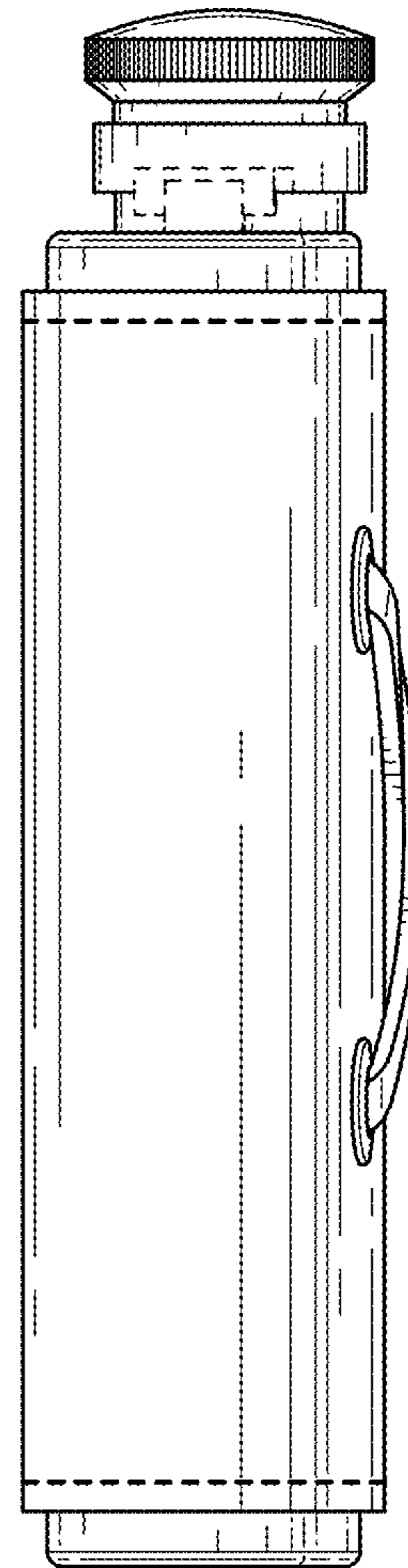




FIG. 6

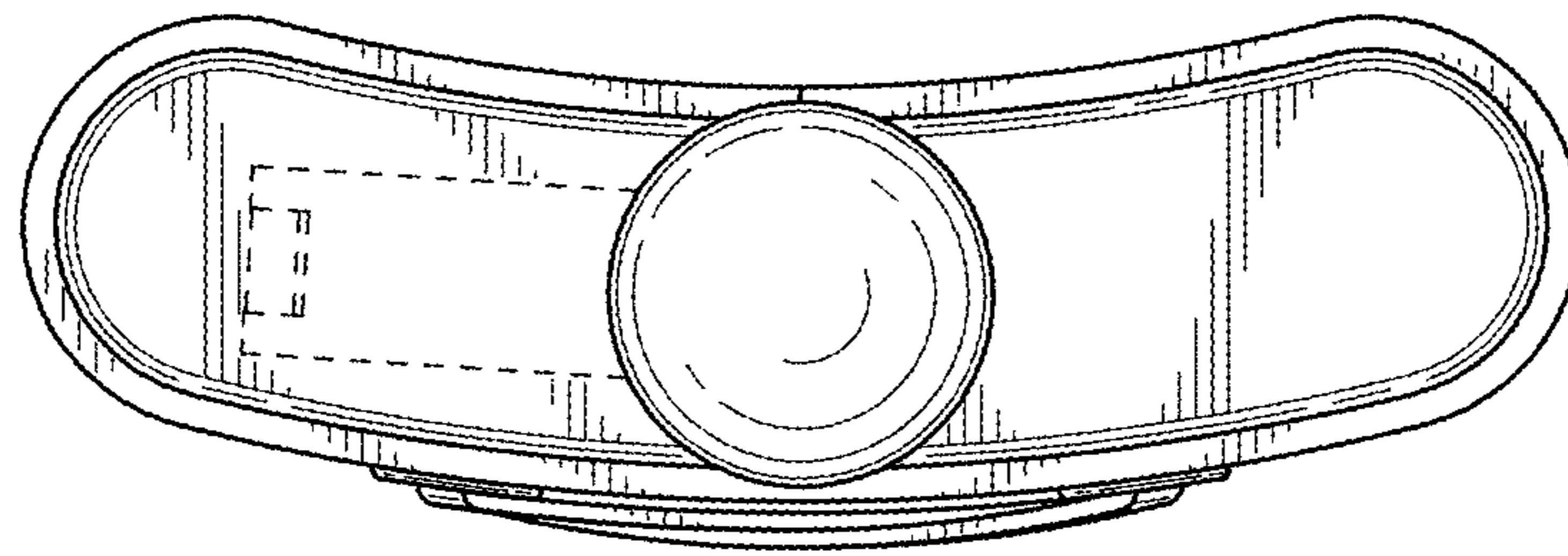


FIG. 7

