



US00D816972S

(12) **United States Design Patent**
Pauk

(10) **Patent No.:** **US D816,972 S**
(45) **Date of Patent:** **** May 8, 2018**

(54) **SHOE**
(71) Applicant: **NIKE, Inc.**, Beaverton, OR (US)
(72) Inventor: **Matthew R. Pauk**, Portland, OR (US)
(73) Assignee: **NIKE, Inc.**, Beaverton, OR (US)
(**) Term: **15 Years**

D571,549 S 6/2008 Dojan et al.
D575,044 S 8/2008 Alfaro
D577,185 S 9/2008 Link
D613,041 S 4/2010 Thompson
D636,568 S 4/2011 McMillan
D638,615 S * 5/2011 McMillan D2/946
(Continued)

(21) Appl. No.: **29/623,510**
(22) Filed: **Oct. 25, 2017**
(51) **LOC (11) Cl.** **02-99**
(52) **U.S. Cl.**
USPC **D2/972**
(58) **Field of Classification Search**
USPC D2/902, 906-908, 923, 944, 946, 969,
D2/972-975, 978; D5/7, 15, 46, 47, 49
CPC ... A43B 13/181; A43B 13/141; A43B 13/186;
A43B 13/188; A43B 23/00; A43B 23/02;
A43B 5/00; A43B 23/26; A43B 1/04;
A43B 11/14; A43B 7/00; A43B 3/12
See application file for complete search history.

FOREIGN PATENT DOCUMENTS

TW D176895 7/2016

OTHER PUBLICATIONS

Nike Flyknit Racer No Parking Releases This Friday [online].
[retrieved Dec. 6, 2017], Retrieved from Sneakernews.com [Inter-
net] <URL: <https://sneakernews.com/2017/02/20/nike-flyknit-racer-no-parking-release-date-info/2/>>; 9 color sheets, Dated Feb. 20, 2017.

(Continued)

Primary Examiner — Dominic V Simone
(74) *Attorney, Agent, or Firm* — Banner & Witcoff, Ltd.

(57) **CLAIM**

The ornamental design for a shoe upper, as shown and described.

(56) **References Cited**

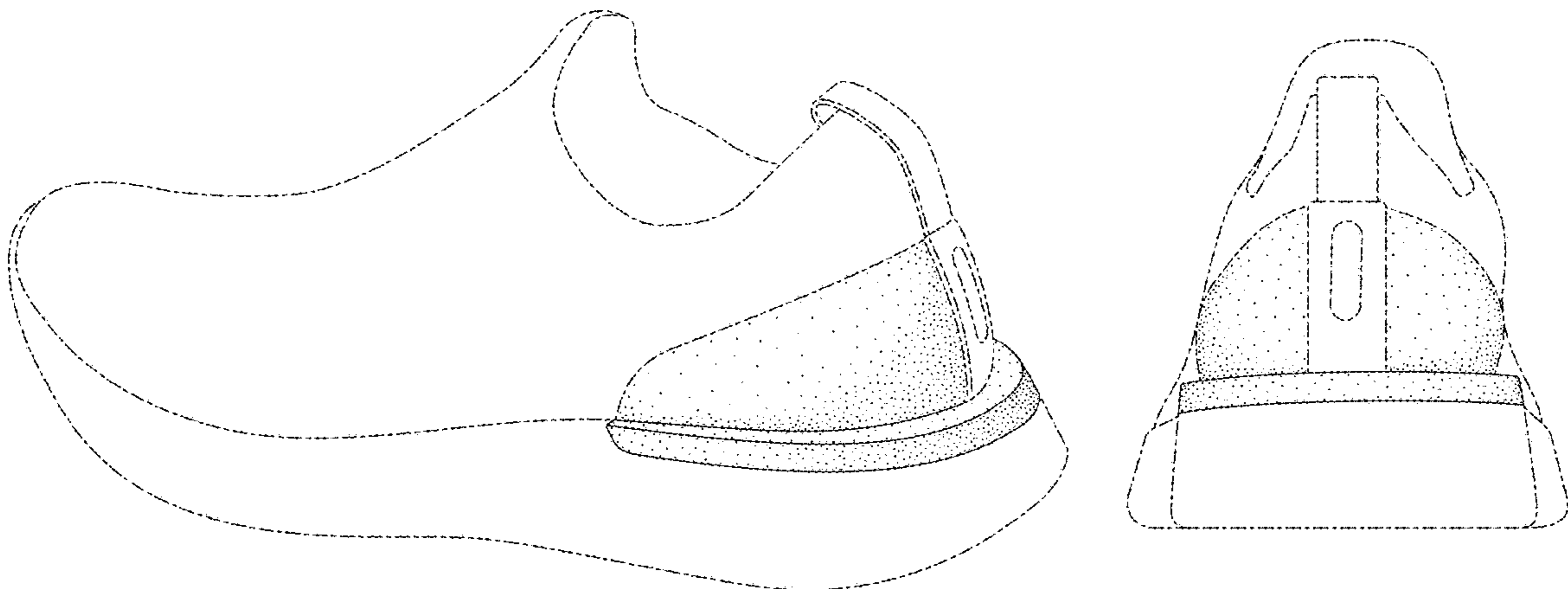
U.S. PATENT DOCUMENTS

D103,053 S 2/1937 Lutz
D114,918 S 5/1939 Cairns
D318,563 S * 7/1991 Lucas D2/972
D319,720 S * 9/1991 Selbiger D2/972
D407,540 S 4/1999 Dolinsky
D425,290 S 5/2000 Matis
D425,291 S 5/2000 Matis
D438,368 S 3/2001 Akhidime
D448,148 S 9/2001 Matis et al.
D485,051 S * 1/2004 Bradford D2/969
D494,350 S * 8/2004 Hillyer D2/972
D511,886 S 11/2005 Galway
D513,666 S 1/2006 Bertholon
D525,775 S 8/2006 Cintron
D546,546 S 7/2007 Chang
D569,094 S 5/2008 Morgan et al.

DESCRIPTION

FIG. 1 is a rear perspective view of a shoe upper showing my new design;
FIG. 2 is a side view thereof;
FIG. 3 is a rear view thereof;
FIG. 4 is an opposite side view thereof; and,
FIG. 5 is a top view thereof.
The broken lines immediately adjacent to the shaded area define the bounds of the claimed design and form no part thereof. The broken lines showing the remainder of the shoe represent unclaimed subject matter and form no part of the claimed design.

1 Claim, 5 Drawing Sheets



(56)

References Cited

U.S. PATENT DOCUMENTS

D658,859	S *	5/2012	Nakamura	D2/972
D658,860	S *	5/2012	Stryjak	D2/972
D661,878	S	6/2012	Grenet	
D690,093	S *	9/2013	Dombrow	D2/972
D744,210	S	12/2015	Hardman	
D759,365	S	6/2016	Henderson et al.	
D762,964	S *	8/2016	Nyssen	D2/972
D765,380	S *	9/2016	Petrie	D2/972
D782,177	S *	3/2017	Lee	D2/972
D783,993	S *	4/2017	Hatfield	D2/972
D786,546	S *	5/2017	Rasmussen	D2/972
D789,052	S	6/2017	Hardman	
D789,064	S *	6/2017	Madore	D2/972
D790,173	S	6/2017	Raasch	
D793,693	S	8/2017	Roulo et al.	
D794,287	S	8/2017	Raasch	
D802,286	S *	11/2017	Klein	D2/972
D805,751	S *	12/2017	McCullagh	D2/972
D808,629	S *	1/2018	Parrett	D2/972

OTHER PUBLICATIONS

Nike Zoom Mariah Flyknit Racer Releaseing in Clean White and Black [online], [retrieved Dec. 6, 2017], Retrieved from Sneakernews.com [Internet] <URL: <<https://sneakernews.com/2017/06/29/nike-zoom-mariah-flyknit-racer-white-black-pure-platinum/>>>; 6 color sheets, Dated Jun. 29, 2017.

Black Boost Soles Returns on the Adidas NMD R1 for Winter [online], [retrieved Dec. 6, 2017], Retrieved from Sneakernews.com [Internet] <URL: <<https://sneakernews.com/2017/11/21/adidas-nmd-r1-wool-heel-olive-release-details/>>>; 8 color sheets, Dated Nov. 21, 2017.

Another Nike Vapormax Model Appears With a New Flyknit Upper [online], [retrieved Dec. 6, 2017], Retrieved from Sneakernews.com [Internet] <URL: <https://sneakernews.com/2017/07/28/nike-vapormax-white-royal-mid-model/>>; 3 color sheets, Dated Jul. 28, 2017.

* cited by examiner

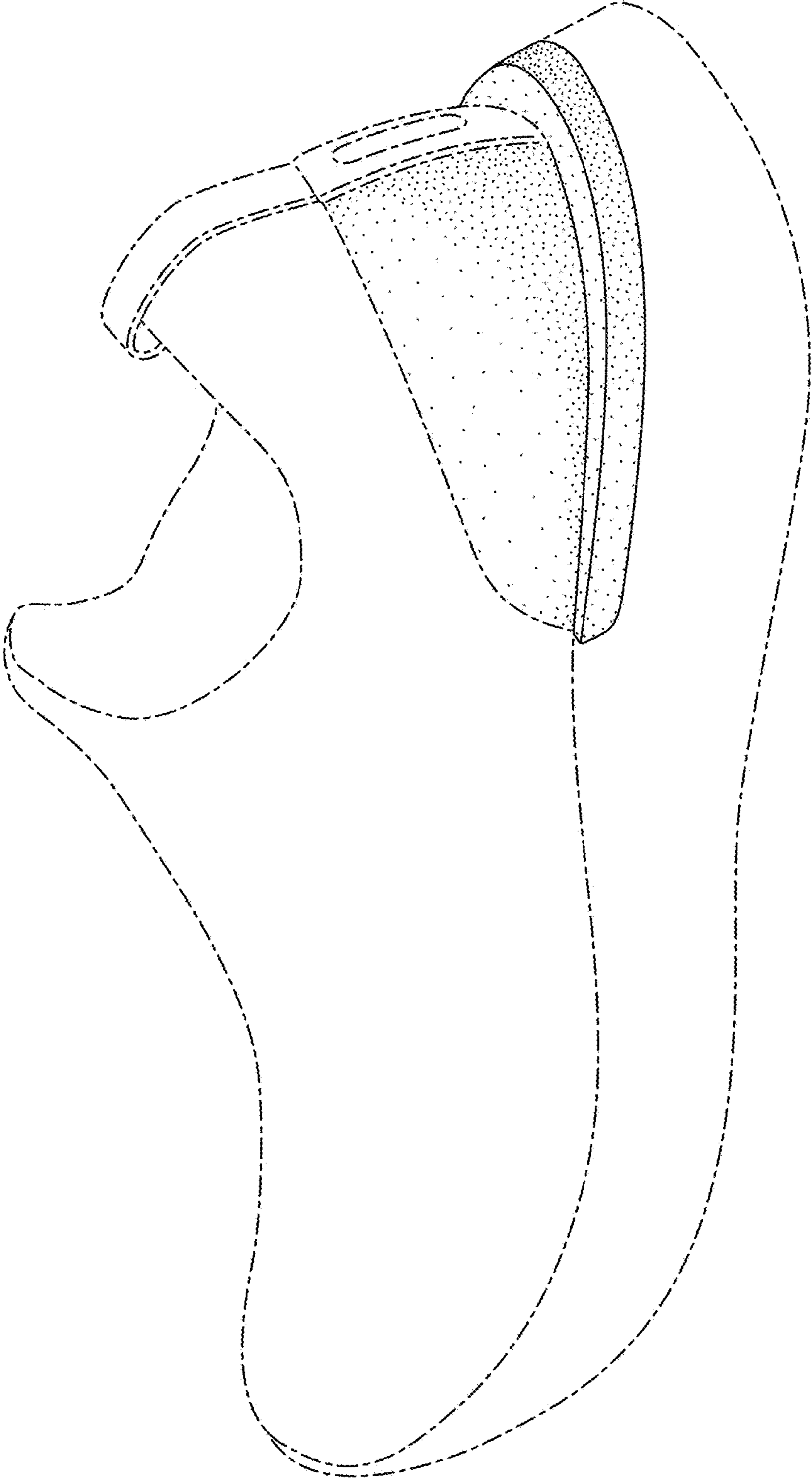


FIG. 1

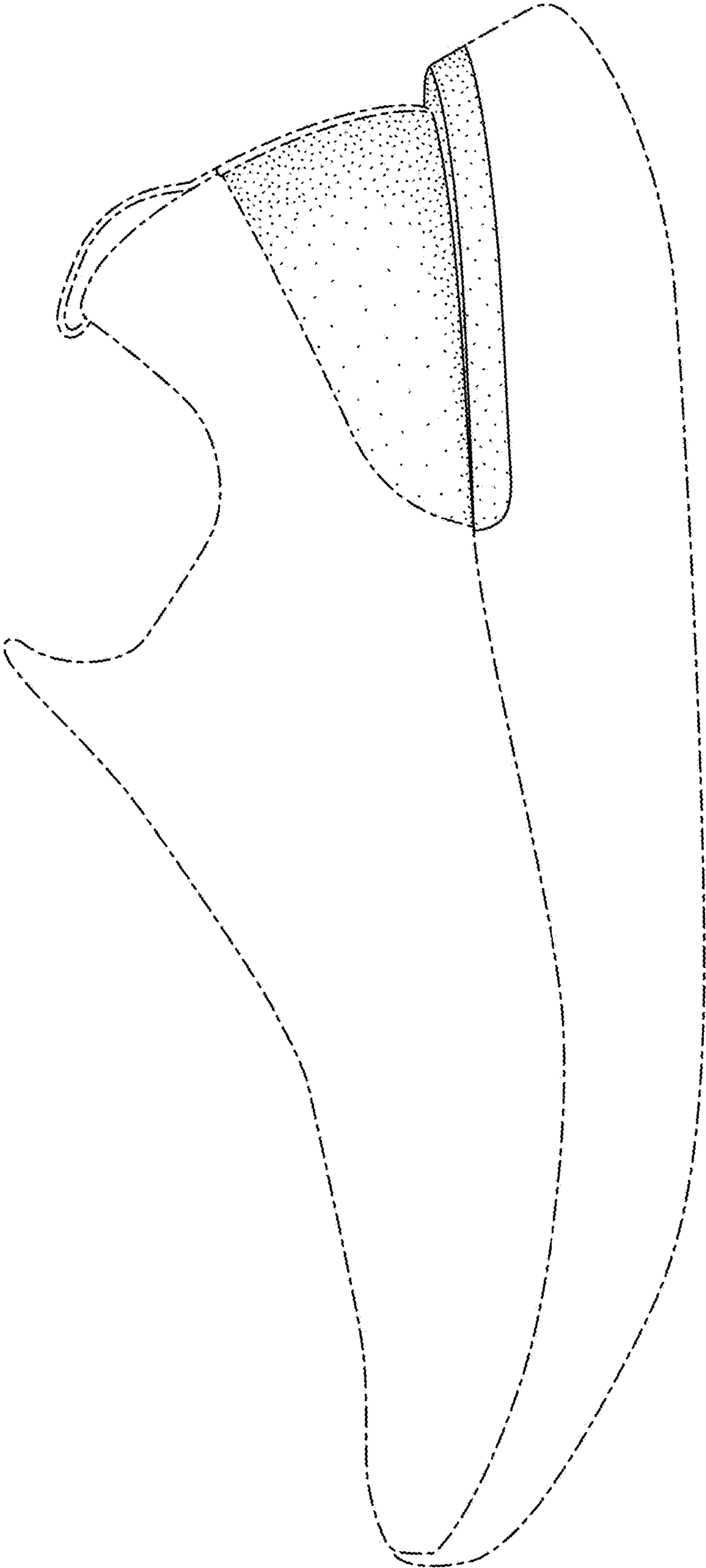


FIG. 2

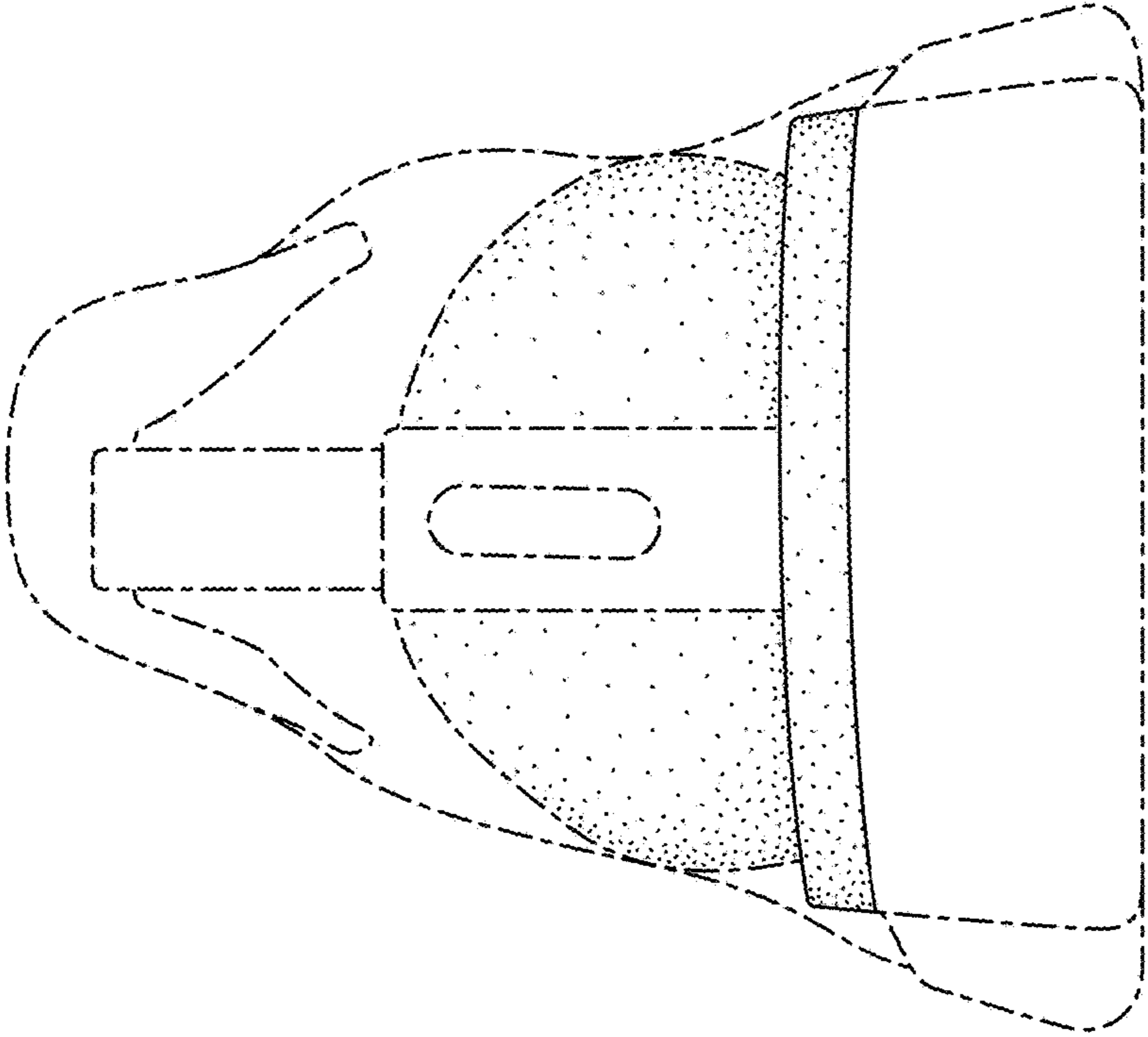


FIG. 3

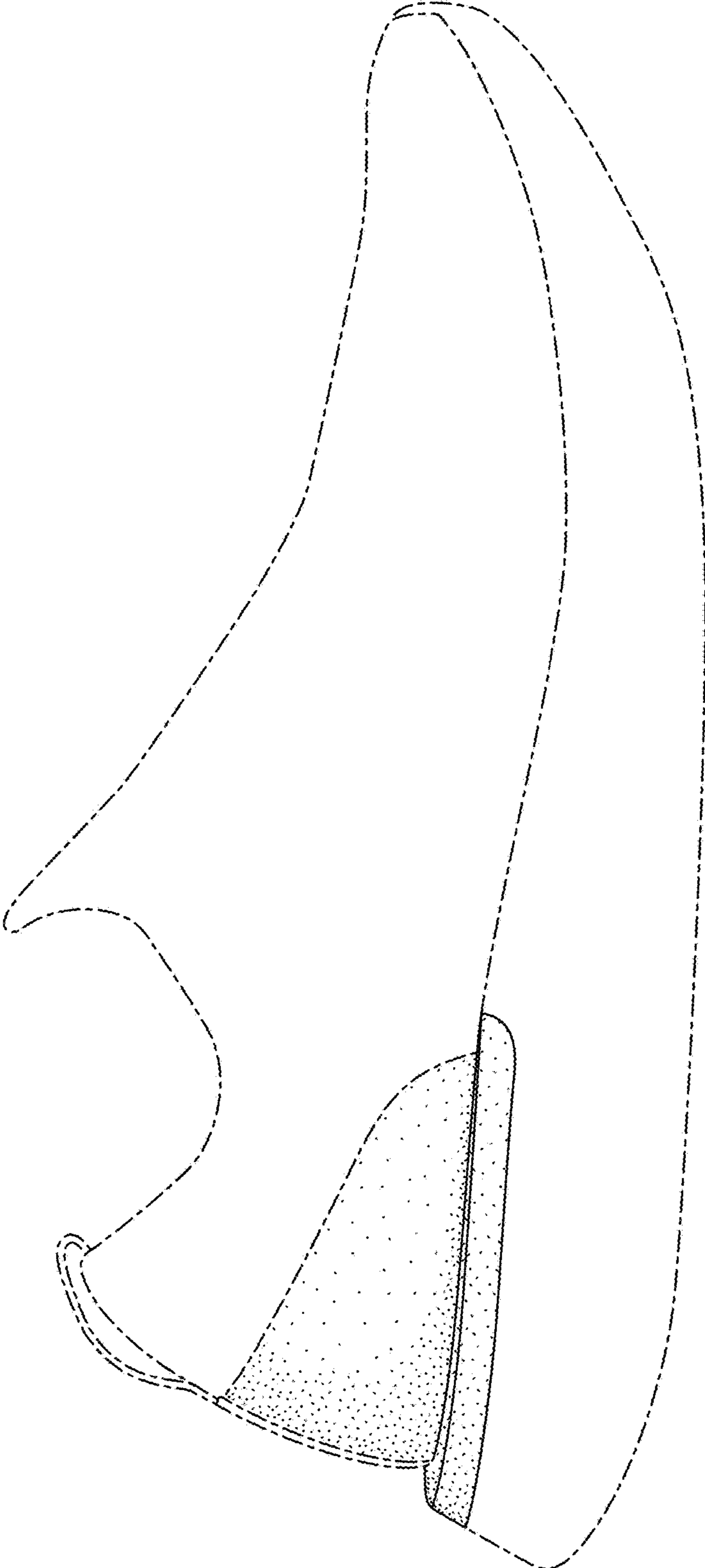


FIG. 4

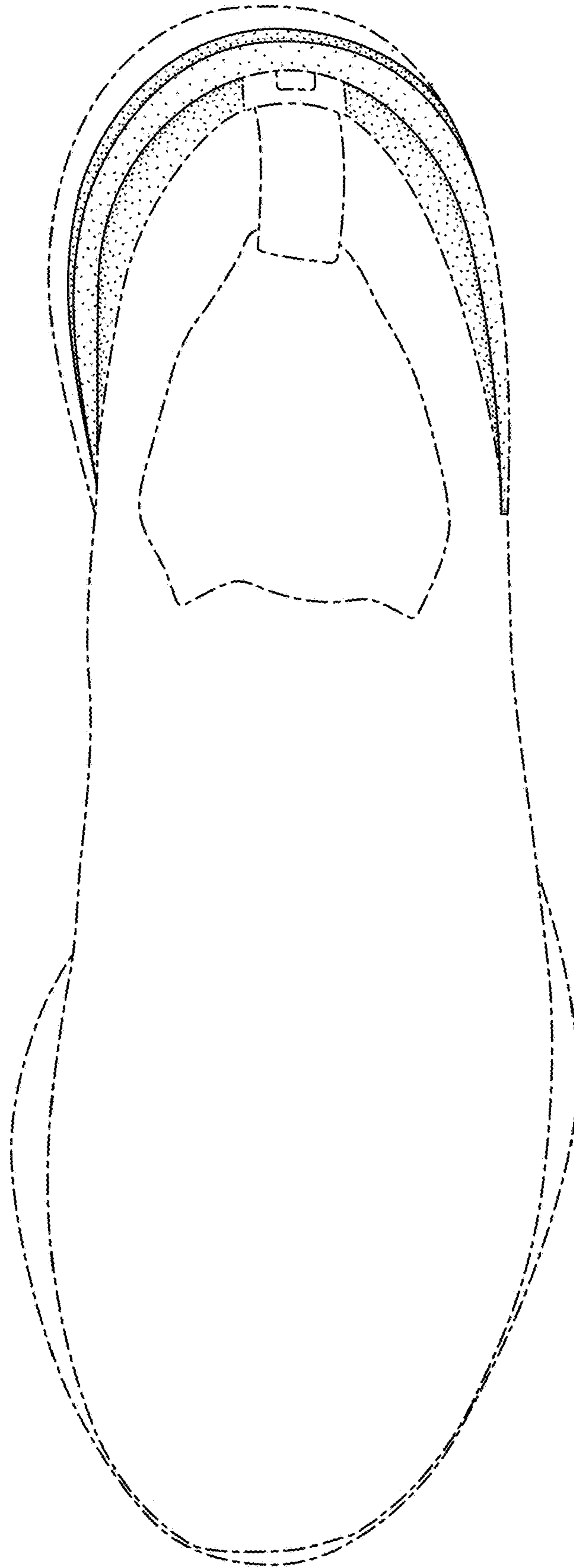


FIG. 5