



US00D816966S

(12) **United States Design Patent** (10) **Patent No.:** **US D816,966 S**  
**Petzl** (45) **Date of Patent:** **\*\* May 8, 2018**

(54) **CRAMPON**  
(71) Applicant: **ZEDEL**, Crolles (FR)  
(72) Inventor: **Paul Petzl**, Barraux (FR)  
(73) Assignee: **ZEDEL**, Crolles (FR)  
(\*\*) Term: **15 Years**

(21) Appl. No.: **29/573,284**  
(22) Filed: **Aug. 4, 2016**

(30) **Foreign Application Priority Data**

Feb. 11, 2016 (EM) ..... 2981977-0001

(51) **LOC (11) Cl.** ..... **02-04**  
(52) **U.S. Cl.**  
USPC ..... **D2/962**

(58) **Field of Classification Search**  
USPC ..... D2/962, 946, 906, 954, 947, 951, 960,  
D2/959; 36/7.6, 64, 124, 132, 59 R, 62,  
36/66; D21/768, 771; D15/24; D12/608  
CPC ..... A43C 15/068; A43C 15/09; A43C 15/06;  
A43C 15/066; A43C 15/061; A43C  
15/10; A43C 11/00; A43C 13/04; A43C  
15/02; A43C 15/065; A43C 15/161; A43C  
19/00; A43C 7/00; A43B 5/02; A43B  
13/26; A43B 5/0423; A63C 13/003  
See application file for complete search history.

(56) **References Cited**

**U.S. PATENT DOCUMENTS**

5,901,471 A \* 5/1999 Warner ..... A43C 15/068  
36/124  
D429,513 S \* 8/2000 Warner ..... D21/768  
6,766,597 B1 \* 7/2004 Perrod ..... A43B 3/26  
36/59 R  
9,320,324 B2 \* 4/2016 Girard ..... A43C 15/06  
2002/0189133 A1 \* 12/2002 Parisotto ..... A43B 7/08  
36/3 B

2003/0037461 A1 \* 2/2003 Petzl ..... A43C 15/068  
36/7.6  
2003/0106243 A1 \* 6/2003 Tucker ..... A43B 13/26  
36/62  
2004/0194346 A1 \* 10/2004 Petzl ..... A43C 15/068  
36/59 R  
2010/0064552 A1 \* 3/2010 Petzl ..... A43C 15/068  
36/59 R

(Continued)

**OTHER PUBLICATIONS**

Black Diamond Sabretooth Pro Crampon, earliest comment dated Oct. 19, 2015, [online], [site visited Aug. 28, 2017]. Retrieved from url:https://www.backcountry.com/black-diamond-sabretooth-pro-crampon?rr=t.\*

(Continued)

*Primary Examiner* — Jeffrey D Asch  
*Assistant Examiner* — Tracey J Bell  
(74) *Attorney, Agent, or Firm* — Oliff PLC

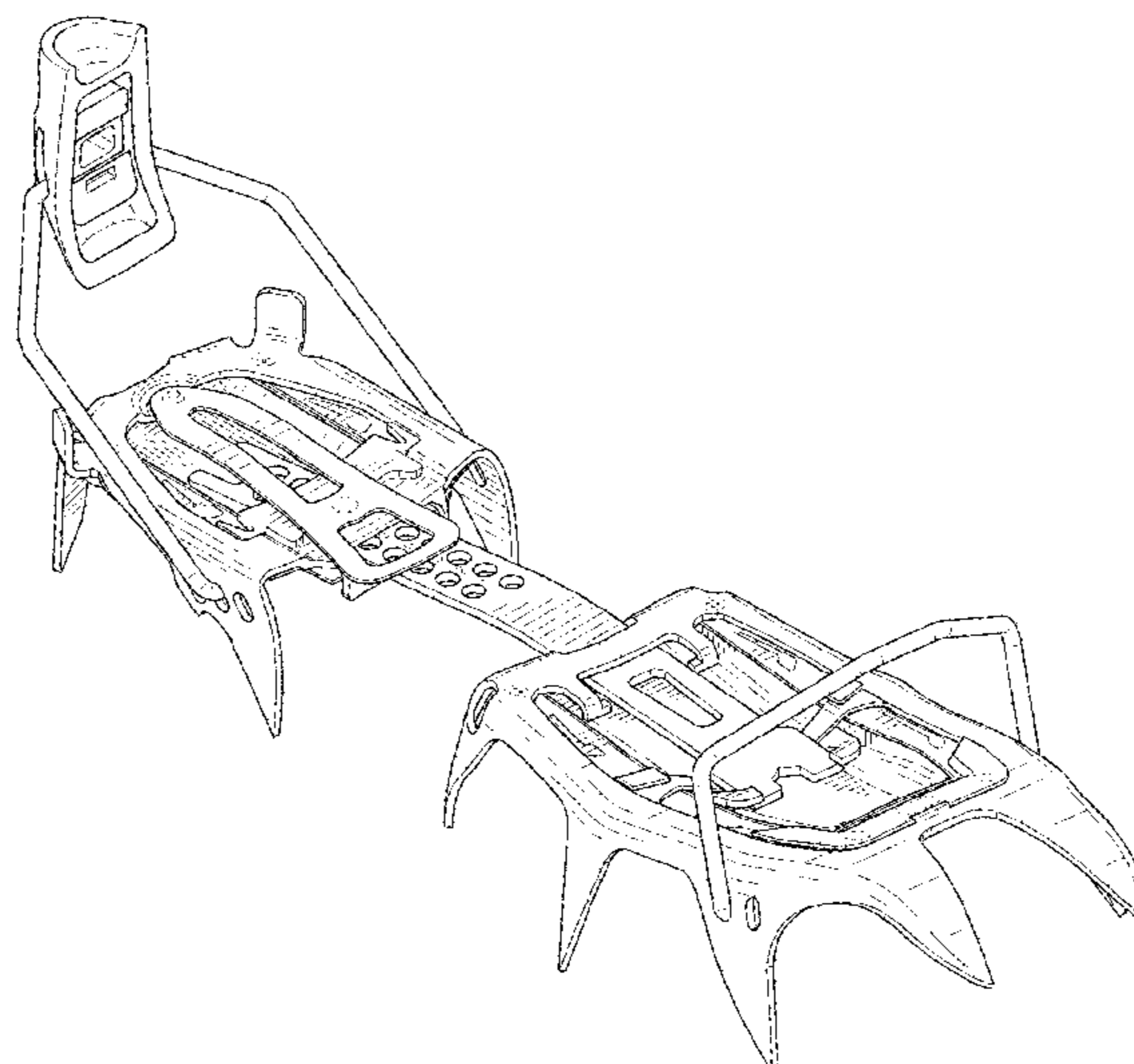
(57) **CLAIM**

The ornamental design for a crampon, as shown and described.

**DESCRIPTION**

FIG. 1 is a front, left-side, top perspective view of the crampon;  
FIG. 2 is a left-side elevational view thereof;  
FIG. 3 is a top plan view thereof;  
FIG. 4 is a rear elevational view thereof;  
FIG. 5 is a front elevational view thereof;  
FIG. 6 is a right-side elevational view thereof;  
FIG. 7 is a bottom plan view thereof; and,  
FIG. 8 is a rear, right-side, bottom perspective view thereof.  
The broken lines depict portions of the crampon that form no part of the claimed design.

**1 Claim, 7 Drawing Sheets**



(56)

**References Cited**

U.S. PATENT DOCUMENTS

2013/0312282 A1\* 11/2013 Girard ..... A43C 15/06  
36/62  
2015/0007460 A1\* 1/2015 Girard ..... A43B 5/18  
36/59 R  
2015/0216265 A1\* 8/2015 Bonnet ..... A43C 15/068  
36/64

OTHER PUBLICATIONS

Petzl Vasak 12-Point Mountaineering Crampon, earliest comment Jun. 25, 2017, [online], [site visited Aug. 28, 2017]. Retrieved from url:<https://www.backcountry.com/petzl-vasak-fl-mountaineering-crampon?s=a>.\*

Petzl Vasak LeverLock Universel Crampons Alpinisme Classique, Aug. 17, 2017, [online], [site visited Aug. 28, 2017]. Retrieved from url:<http://www.ebay.com/itm/Petzl-Vasak-LeverLock-Universel-Crampons-Alpinisme-Classique-/232381942198?hash=item361b0b09b6:g:0kQAAOSww3tY648D>.\*

Vasak Crampons—Petzl, as archived by the Internet Archive, Oct. 5, 2014, [online], [site visited Aug. 28, 2017]. Retrieved from url:[https://web.archive.org/web/20141005210902/https://www.petzl.com/en/Sport/Crampons/VASAK#.WaRiQ\\_krJmO](https://web.archive.org/web/20141005210902/https://www.petzl.com/en/Sport/Crampons/VASAK#.WaRiQ_krJmO).\*

\* cited by examiner

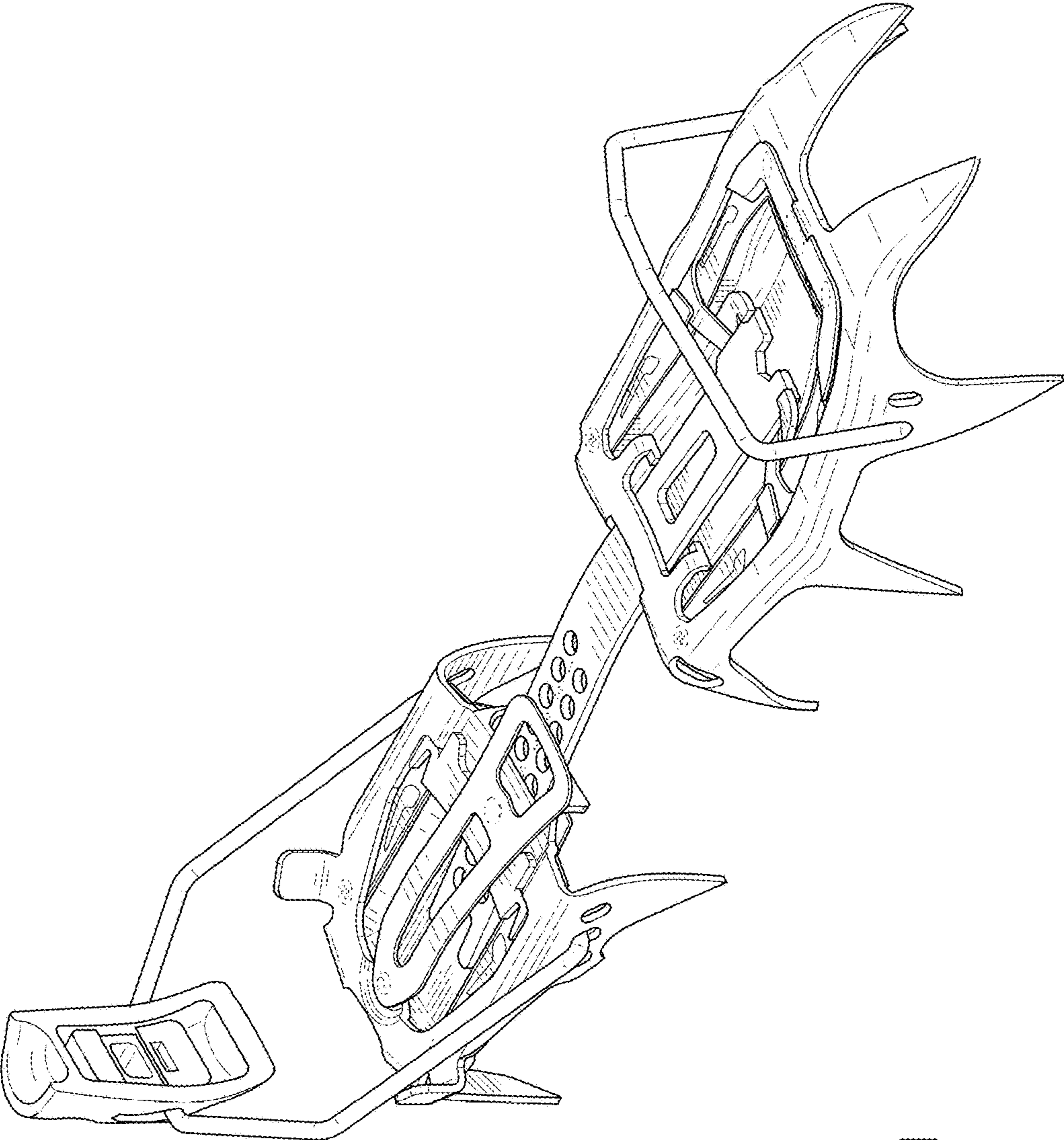


FIG. 1

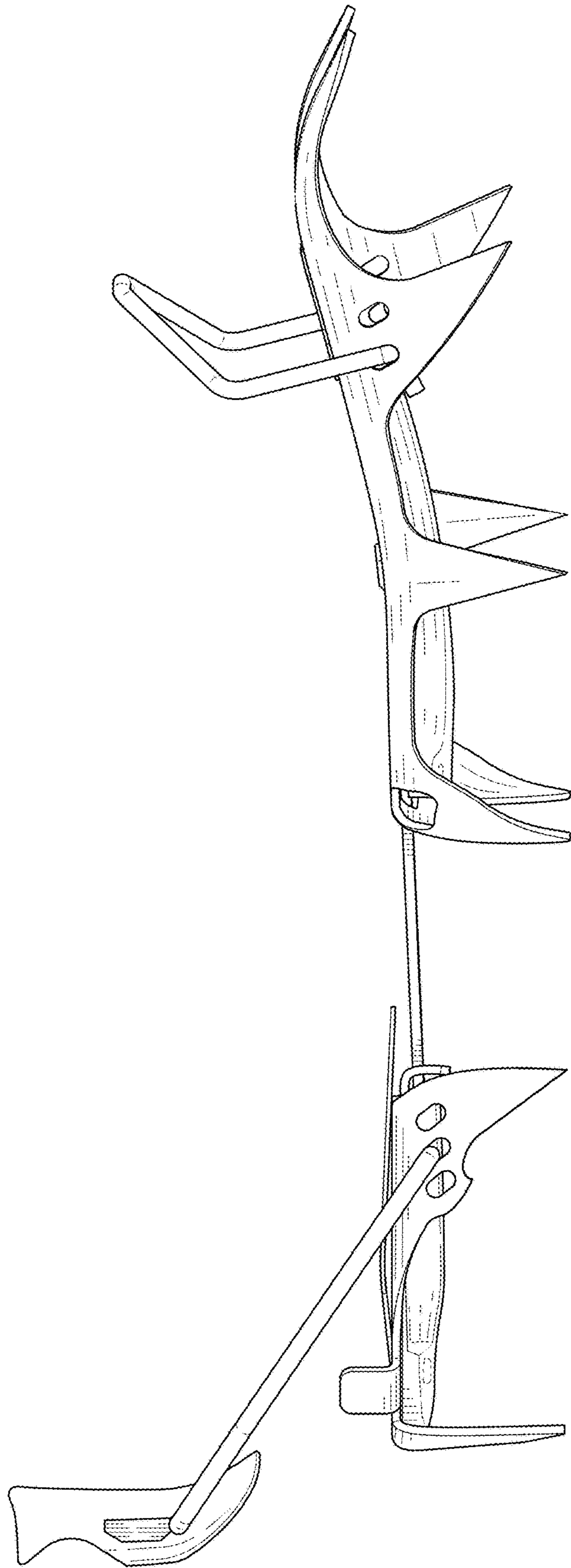


FIG. 2

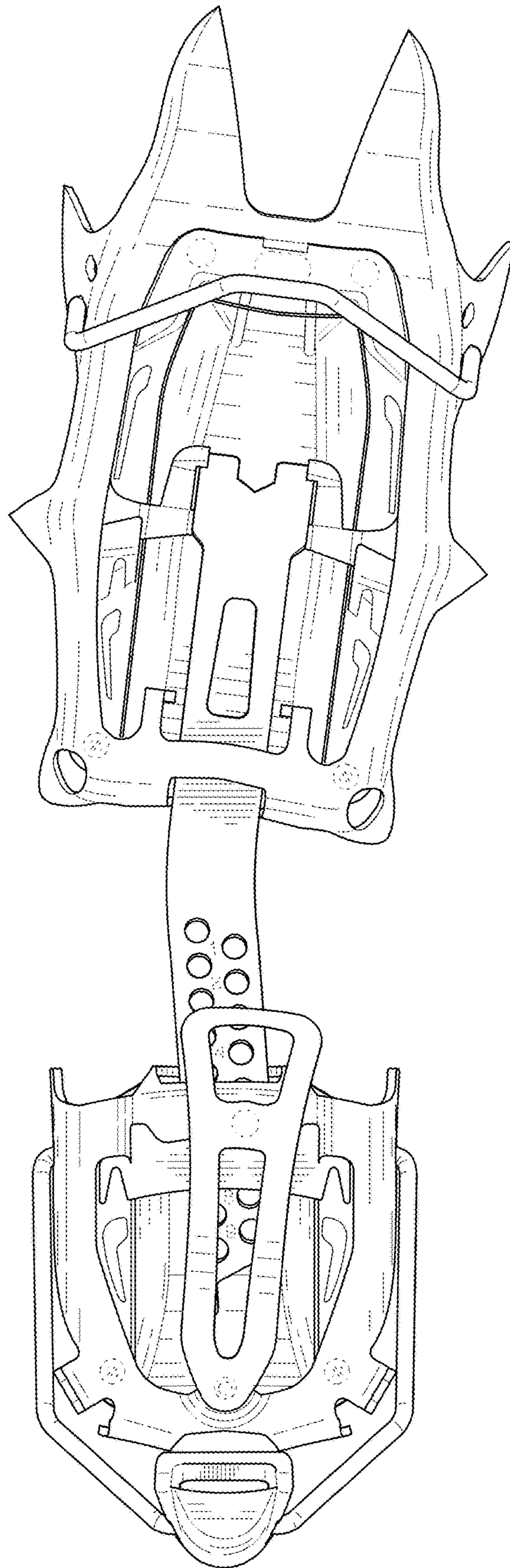


FIG. 3

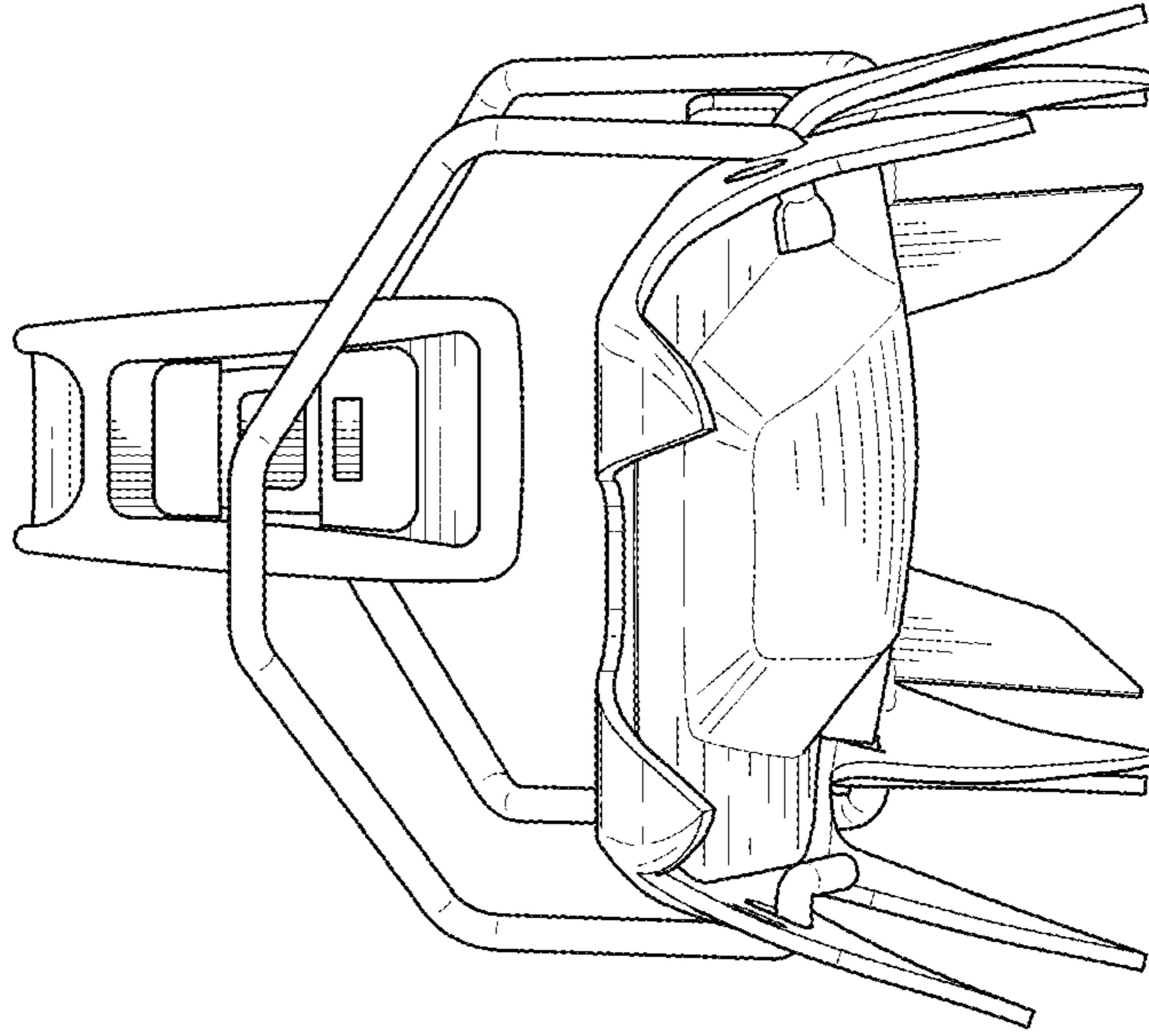


FIG. 5

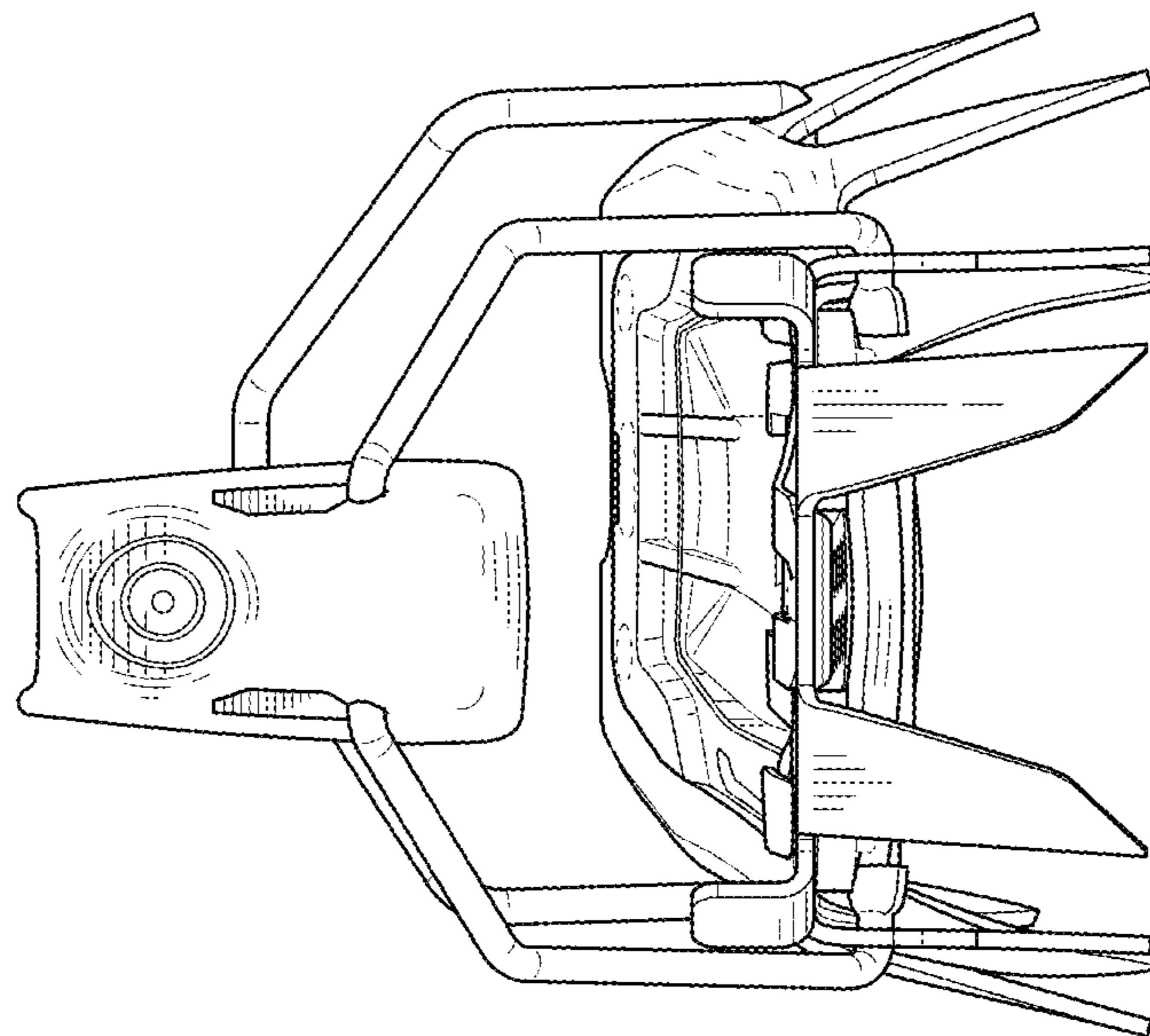


FIG. 4

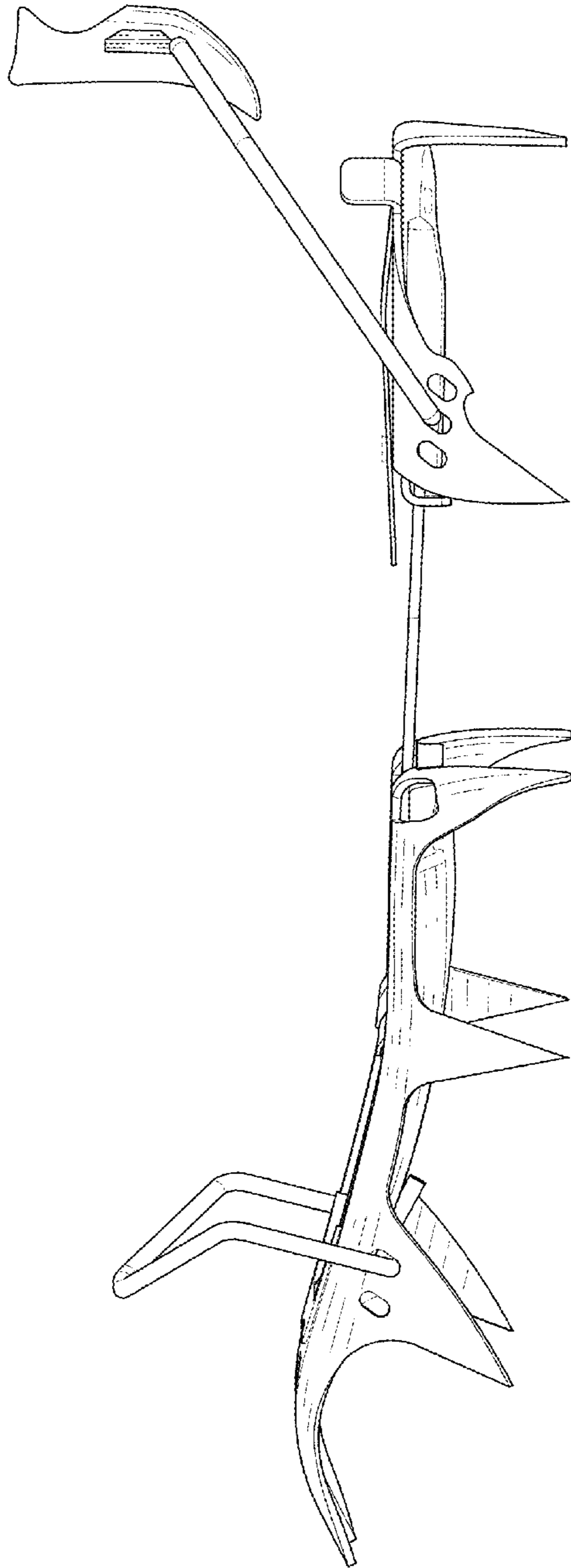


FIG. 6

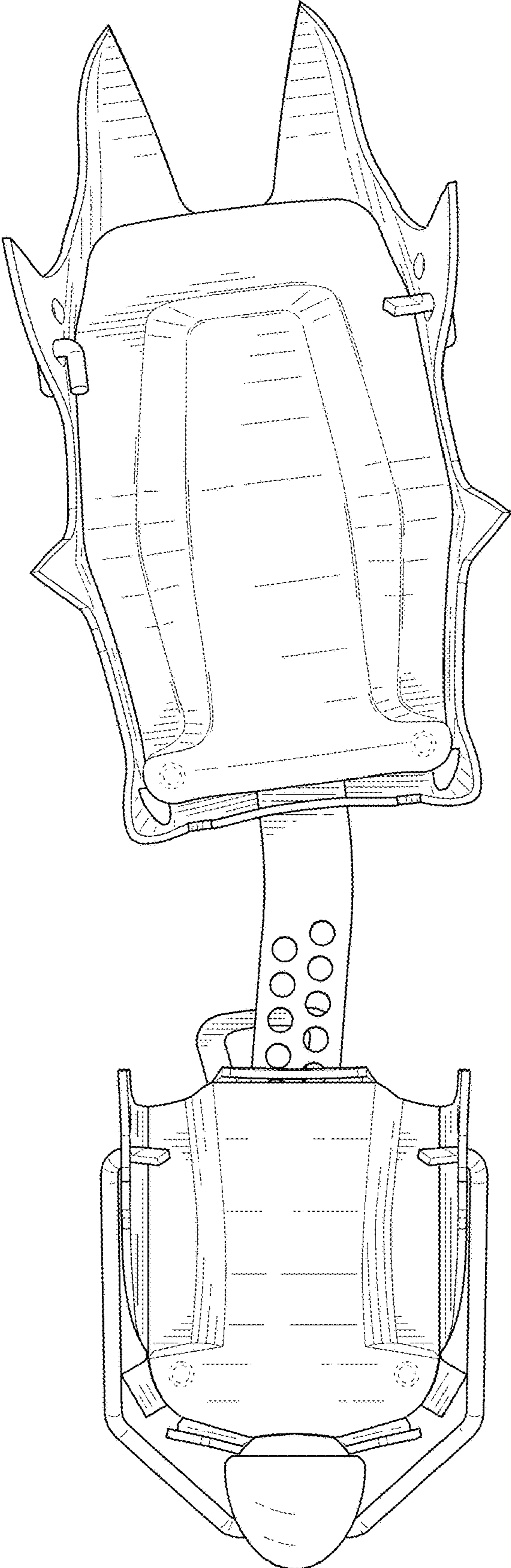


FIG. 7



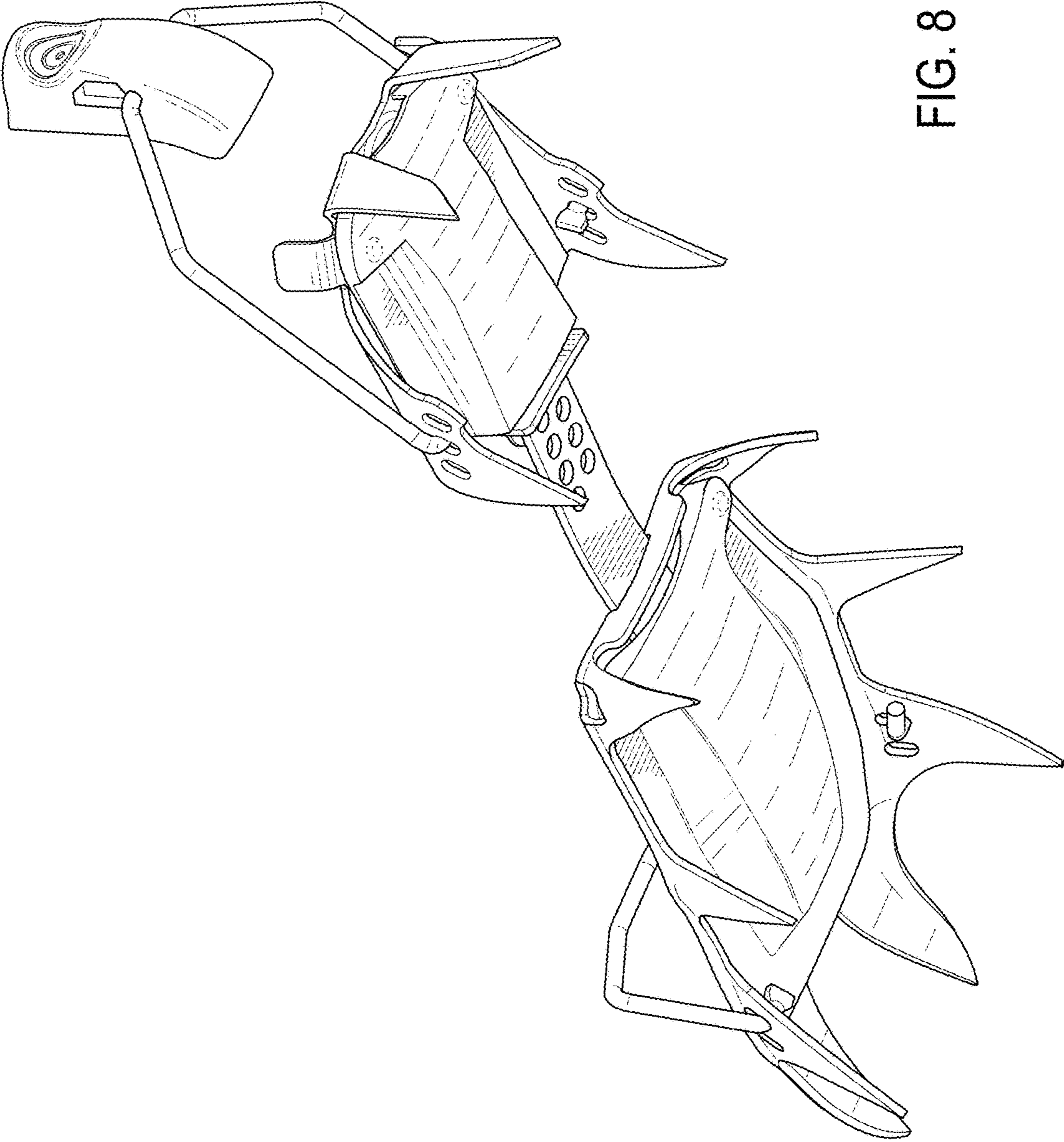


FIG. 8