



US00D816954S

(12) **United States Design Patent**
Chock

(10) **Patent No.:** **US D816,954 S**

(45) **Date of Patent:** **** May 8, 2018**

- (54) **CAP**
- (71) Applicant: **BASEBALLISM INC.**, Portland, OR (US)
- (72) Inventor: **Travis Chock**, Portland, OR (US)
- (73) Assignee: **BASEBALLISM INC.**, Portland, OR (US)
- (**) Term: **15 Years**
- (21) Appl. No.: **29/566,117**
- (22) Filed: **May 26, 2016**
- (51) **LOC (11) Cl.** **02-03**
- (52) **U.S. Cl.**
USPC **D2/882**
- (58) **Field of Classification Search**
USPC D2/865, 866, 869, 872, 873, 882, 891,
D2/895; D5/64, 65; D20/10, 11, 19, 34
CPC A42B 1/00
See application file for complete search history.

- 5,987,648 A * 11/1999 Boyd A42B 1/241
2/171.6
- D419,752 S * 2/2000 Hathaway D2/872
- 6,302,570 B1 * 10/2001 Petell A42B 1/248
362/554
- D464,876 S * 10/2002 Davis D9/649
- D584,050 S * 1/2009 Austin D3/248
- D595,083 S * 6/2009 Rich D7/354
- D661,061 S * 6/2012 Eveleth D2/882
- D699,928 S * 2/2014 Tien D2/882

(Continued)

OTHER PUBLICATIONS

United Seams Fitted Cap by Baseballism, [on-line]; [article posted to the Internet on Oct. 28, 2015]; [retrieved from the Internet on Jun. 22, 2017]; URL: <http://www.strictlyfitteds.com/content/2015/10/united-seams-fitted-cap-baseballism>. (4 pages).*

(Continued)

Primary Examiner — Karen E Eldridge Powers
Assistant Examiner — Jasmine Mlinarcik
(74) *Attorney, Agent, or Firm* — McCoy Russell LLP

(57) **CLAIM**

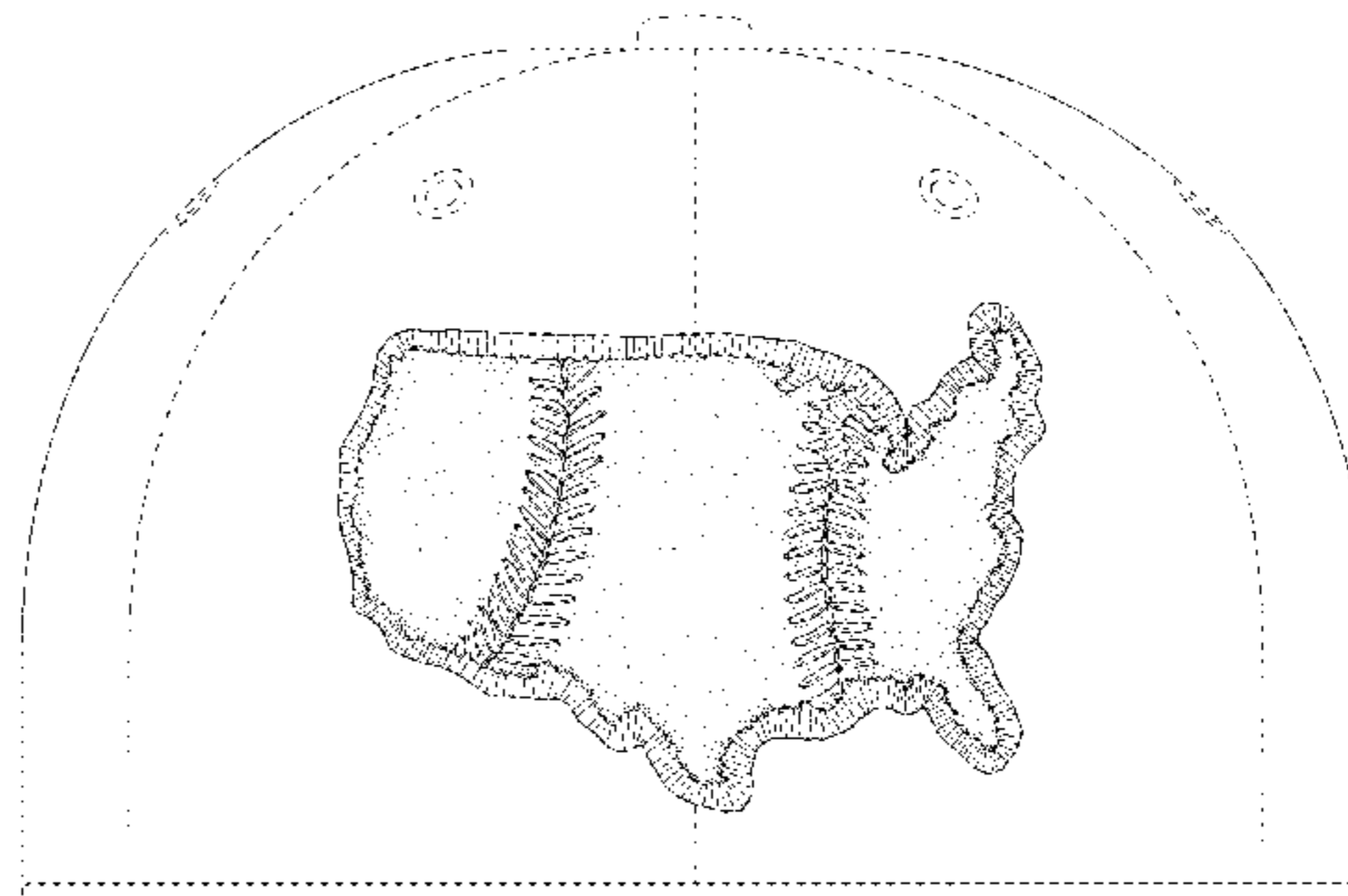
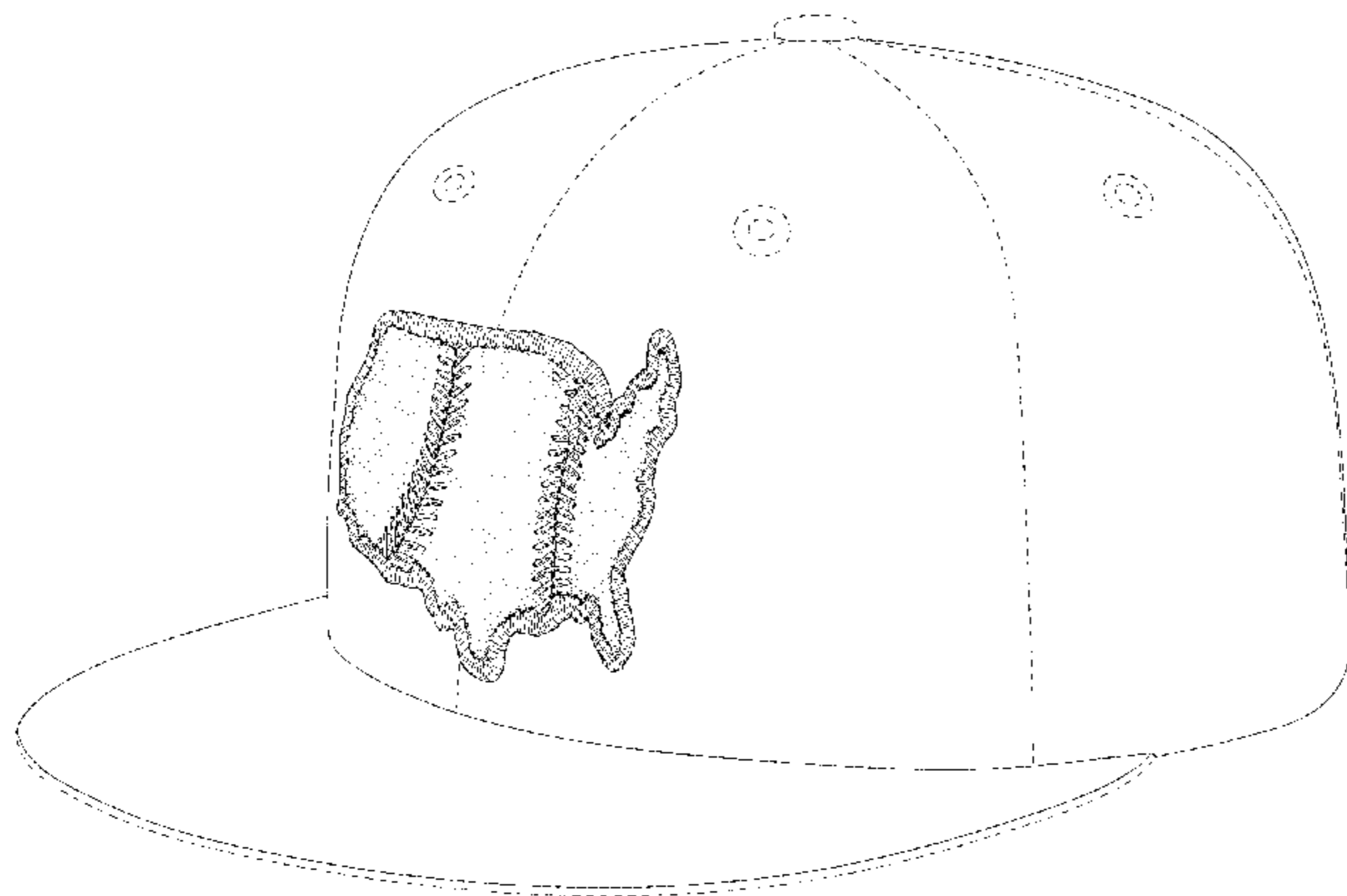
The ornamental design for a cap, as shown and described.

DESCRIPTION

FIG. 1 is a front-left perspective view of a design for a cap. FIG. 2 is a front elevation view of the cap of FIG. 1. FIG. 3 is a back elevation view of the cap of FIG. 1. FIG. 4 is a right side elevation view of the cap of FIG. 1. FIG. 5 is a left side elevation view of the cap of FIG. 1. FIG. 6 is top plan view of the cap of FIG. 1; and, FIG. 7 is a bottom plan view of the cap of FIG. 1. The broken lines in FIGS. 1-7 are included for the purpose of illustrating environmental structure and form no part of the claimed design.

1 Claim, 7 Drawing Sheets

- (56) **References Cited**
- U.S. PATENT DOCUMENTS**
- D110,650 S * 7/1938 Seltzer D11/101
- D165,280 S * 11/1951 Goodman 434/133
- D337,645 S * 7/1993 Guziejka 2/172
- 5,437,062 A * 8/1995 Douglas A42B 1/064
2/10
- D374,116 S * 10/1996 Virzi D2/865
- D374,331 S * 10/1996 Duggan D2/865
- 5,771,493 A * 6/1998 Proctor A42B 1/004
2/171.1
- D395,921 S * 7/1998 Funk D20/11
- 5,815,831 A * 10/1998 De Wan G09F 21/02
2/10
- D413,494 S * 9/1999 Pino D7/699
- 5,983,400 A * 11/1999 Kronenberger A42B 1/248
2/209.13



(56)

References Cited

U.S. PATENT DOCUMENTS

D741,048 S * 10/2015 Fitzpatrick D2/872
D753,904 S * 4/2016 Fitzpatrick D2/869
2001/0034894 A1* 11/2001 Godfrey A42B 1/248
2/209.13

OTHER PUBLICATIONS

Baseballism, [on-line photo]; [posted to the Internet on Dec. 31, 2015]; [retrieved from the Internet on Jun. 22, 2017]; URL: <https://www.facebook.com/baseballism/photos/a.363302937019794.106025.266462573370498/1248636188486460/?type=3&theater>.
(2 pages).*

* cited by examiner

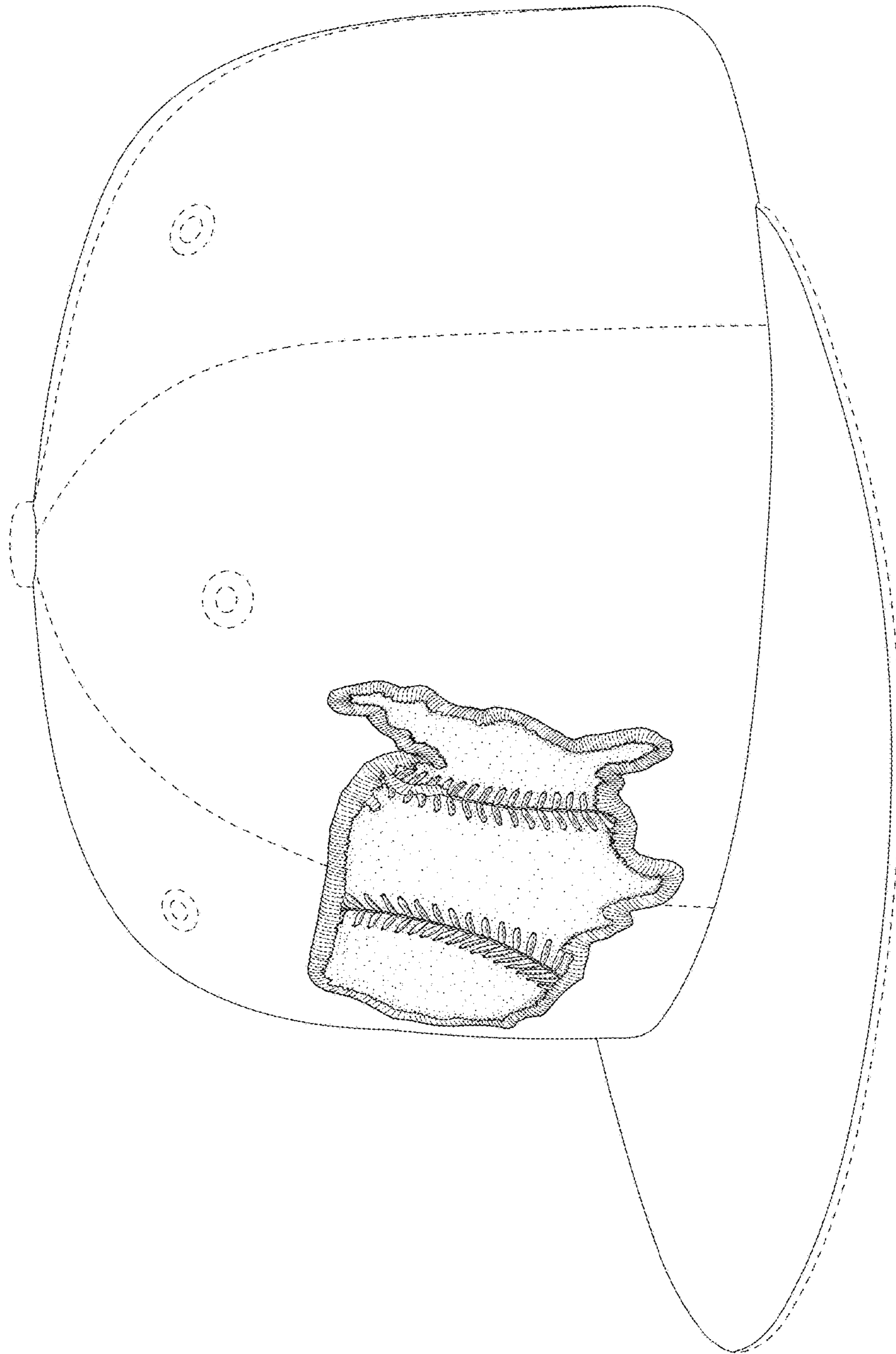


FIG. 1

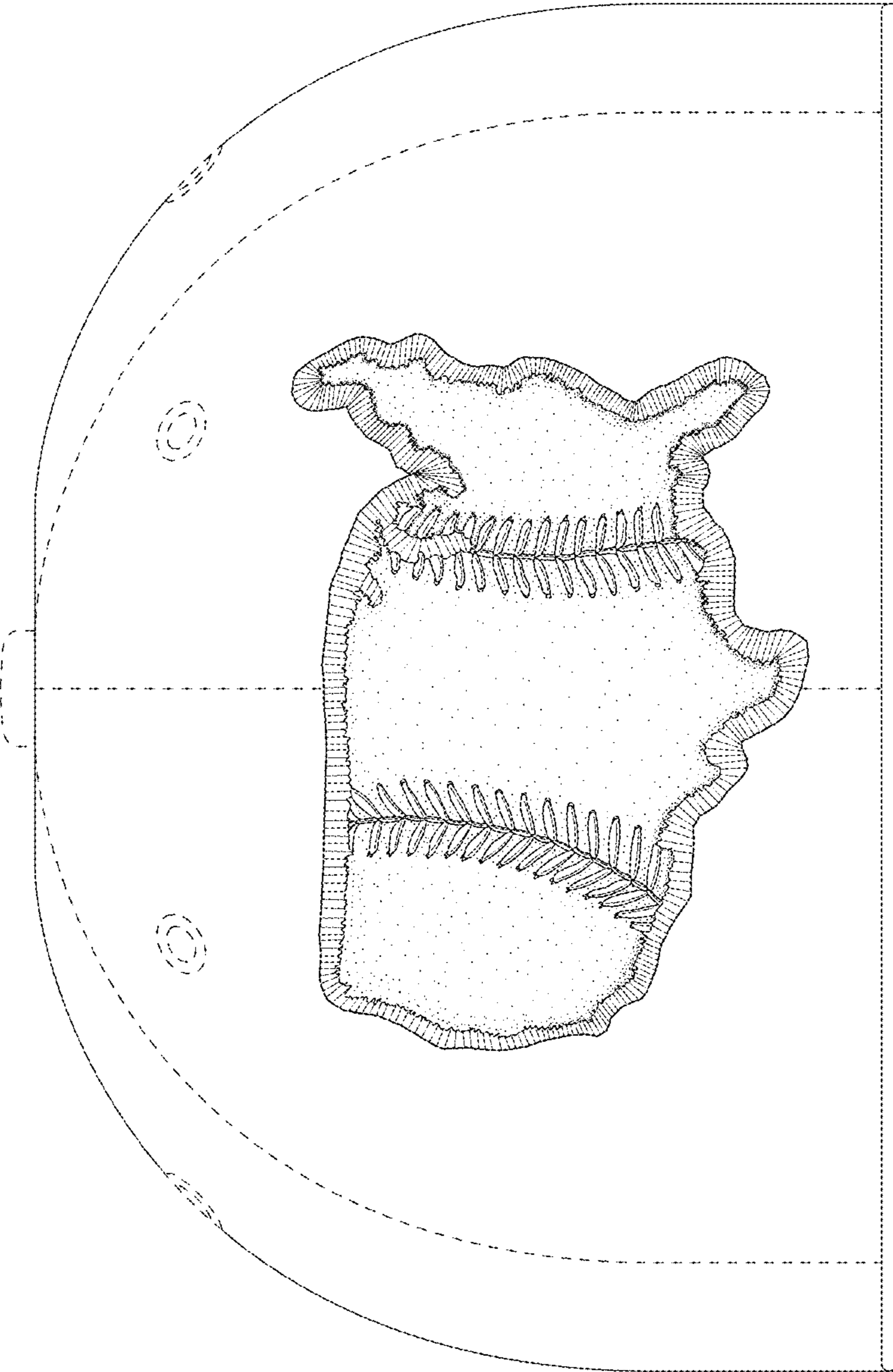


FIG. 2

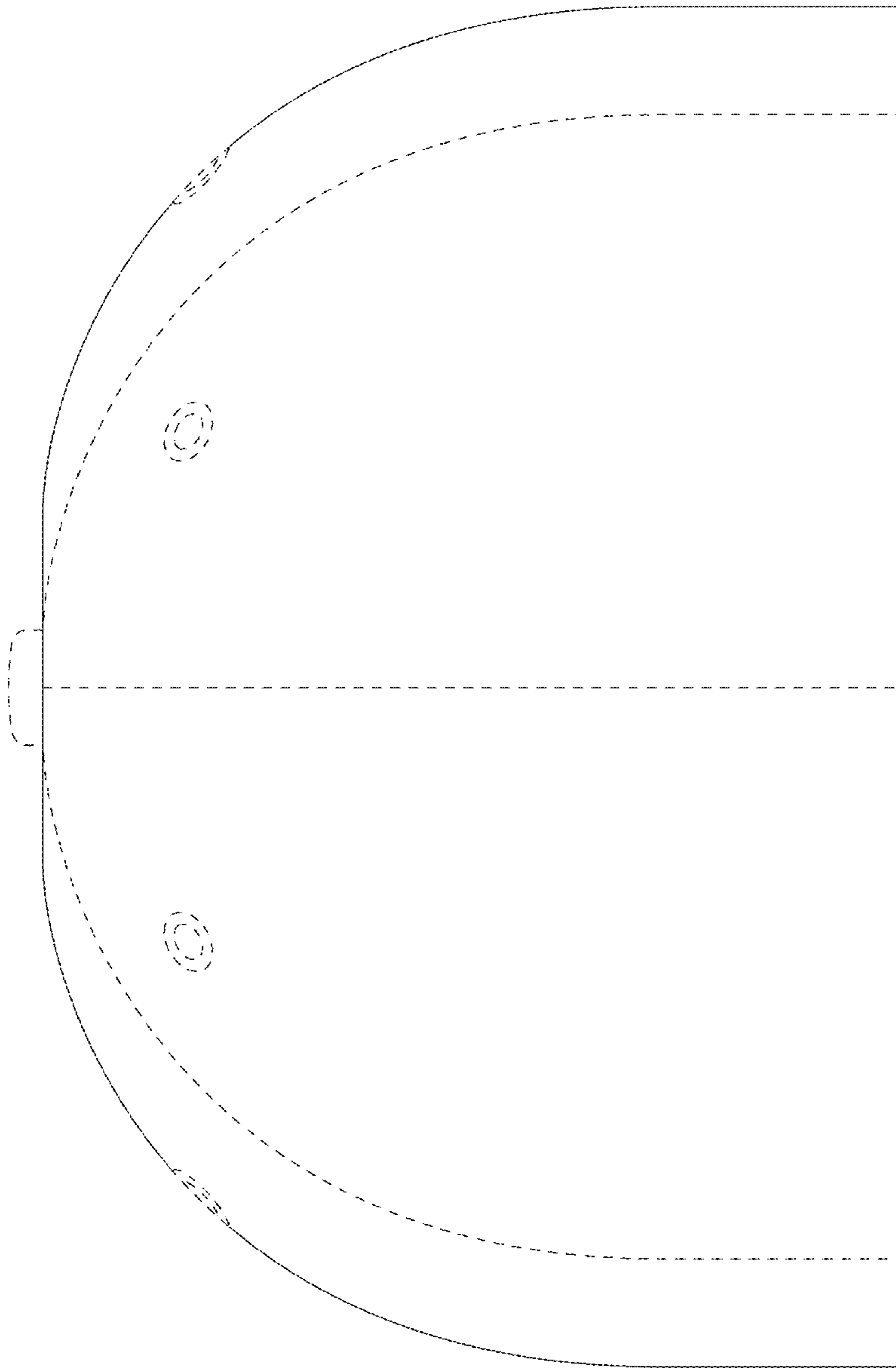


FIG. 3

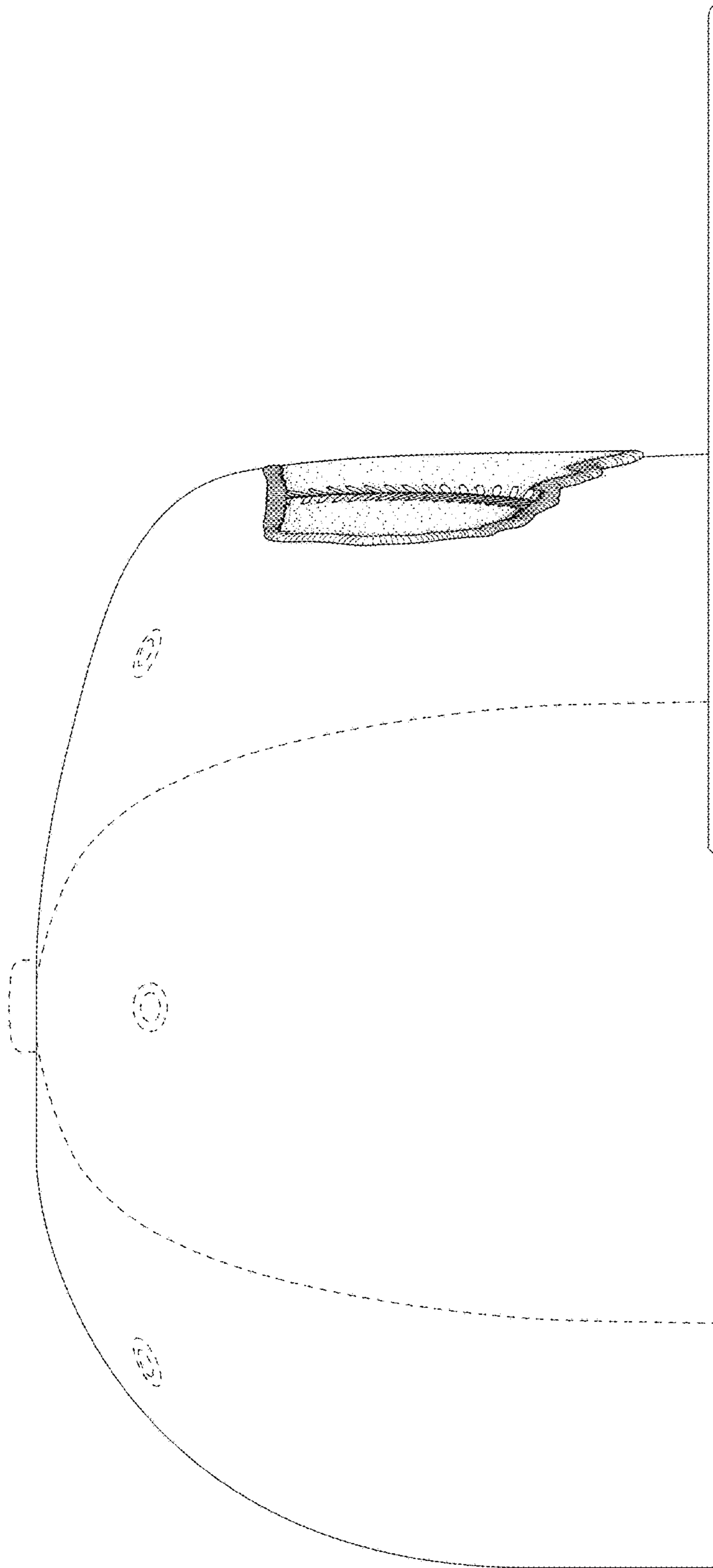


FIG. 4

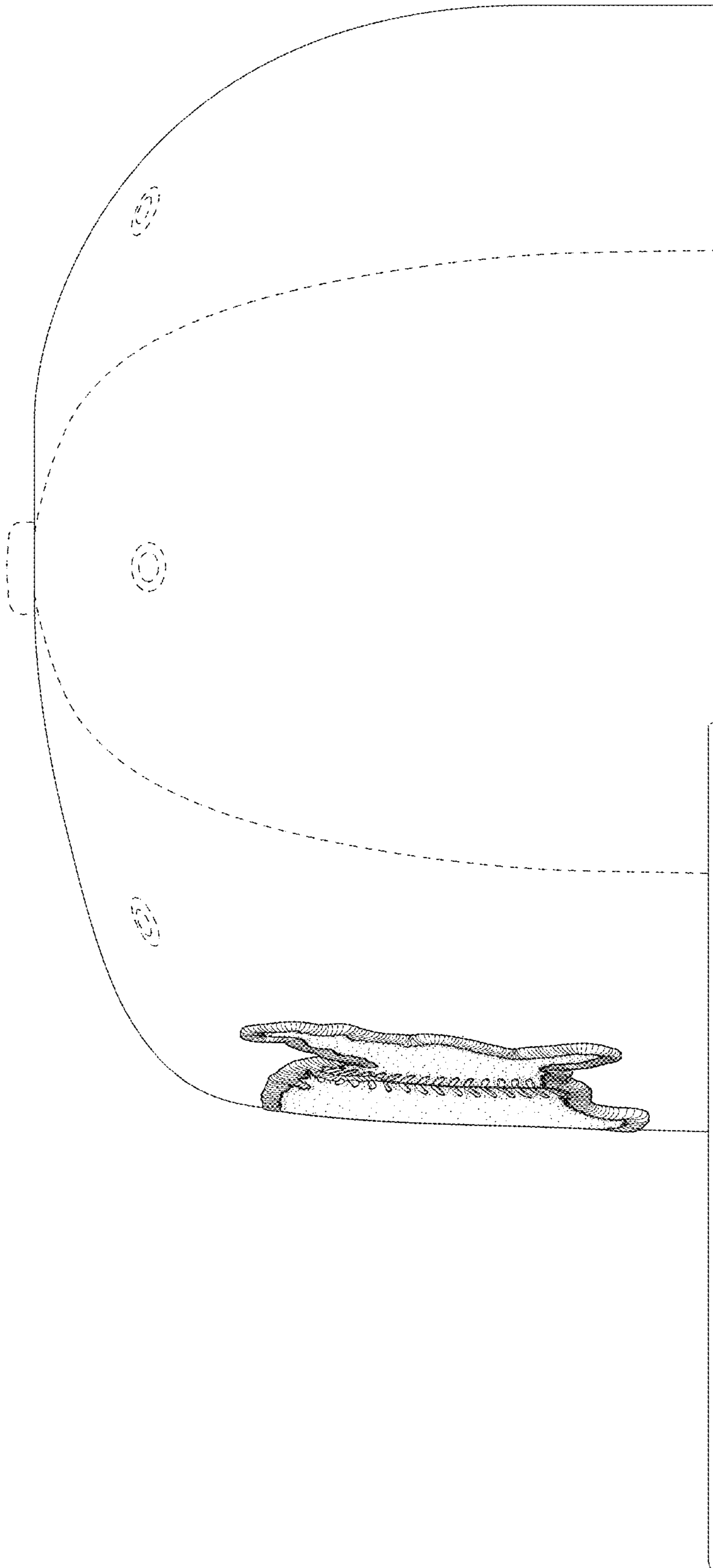


FIG. 5

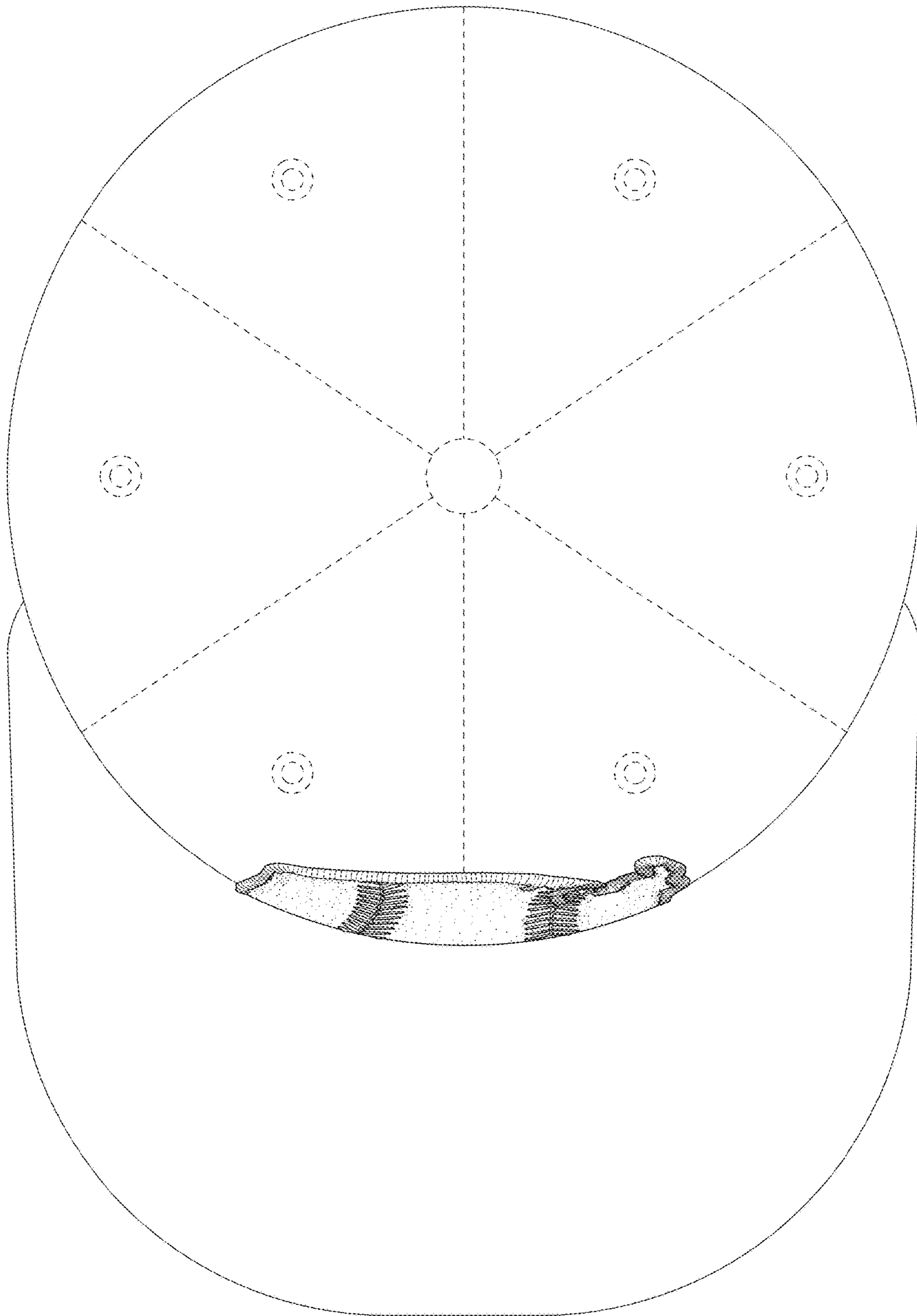


FIG. 6

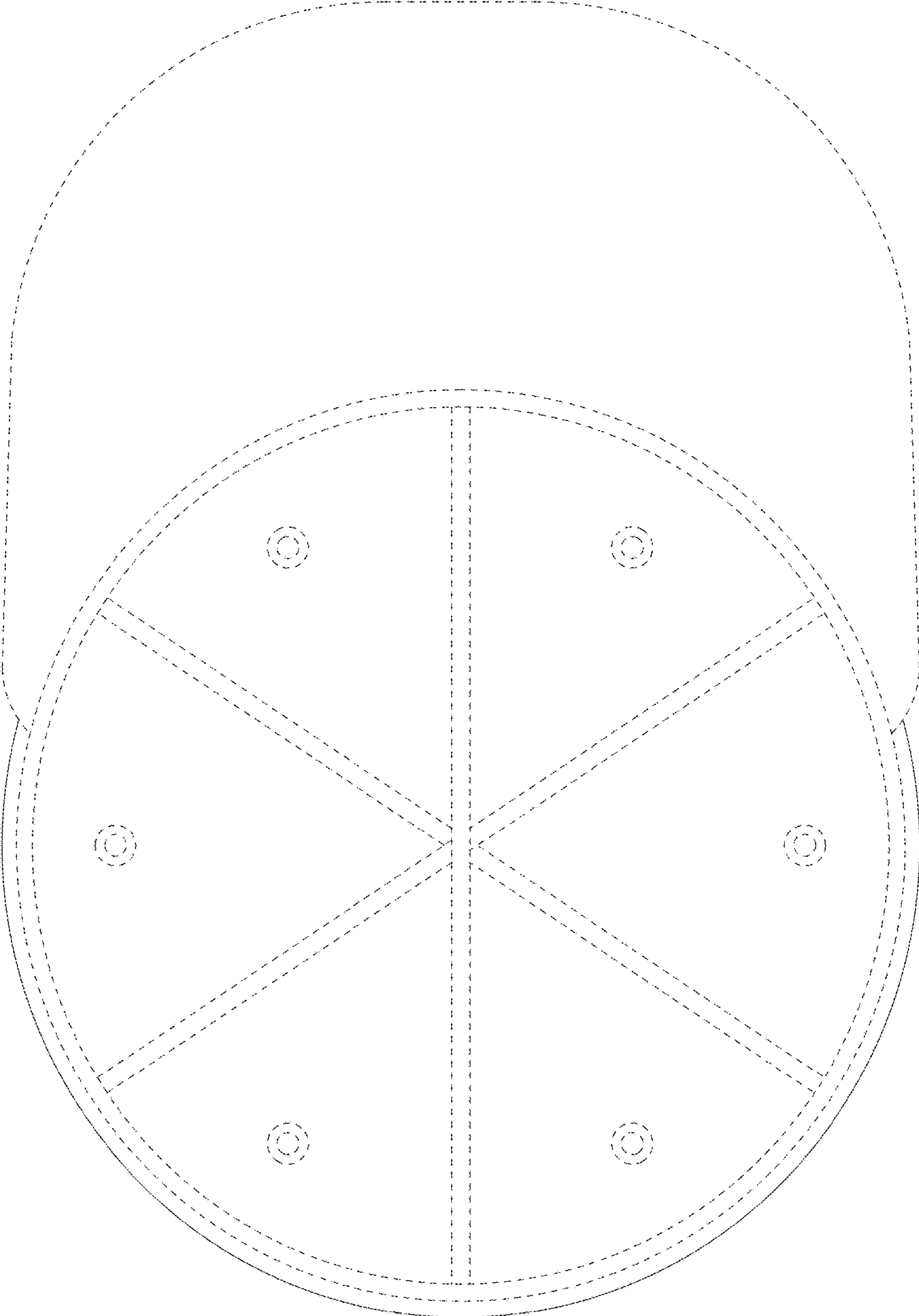


FIG. 7