



US00D816949S

(12) **United States Design Patent**
Beach et al.

(10) **Patent No.:** **US D816,949 S**

(45) **Date of Patent:** **** May 8, 2018**

(54) **SWIMWEAR**

(71) Applicant: **Splash About International Limited,**
Grimsby (GB)

(72) Inventors: **Lesley Beach,** Grimsby (GB); **Brigit**
Cheeseman, Grimsby (GB);
Bernadette Spofforth, Chester (GB)

(73) Assignee: **SPLASH ABOUT INTERNATIONAL**
LIMITED, Grimsby (GB)

(**) Term: **15 Years**

(21) Appl. No.: **29/602,829**

(22) Filed: **May 3, 2017**

(51) **LOC (11) Cl.** **02-02**

(52) **U.S. Cl.**
USPC **D2/738**

(58) **Field of Classification Search**
USPC D2/712, 713, 734, 737, 738, 742, 743,
D2/831, 840, 851, 857
CPC A41B 9/00; A41B 9/02; A41B 9/04; A41B
9/14; A41D 1/06; A41D 1/08; A41D
1/084; A41D 13/00
See application file for complete search history.

(56) **References Cited**

U.S. PATENT DOCUMENTS

D746,022 S * 12/2015 Maier D2/731
D768,357 S * 10/2016 White D2/731

D774,727 S * 12/2016 McCombs D2/712
D775,453 S * 1/2017 McCombs D2/712
D775,784 S * 1/2017 Puni D2/731
D783,938 S * 4/2017 Todd D2/731
D796,783 S * 9/2017 Moore D2/731
D801,634 S * 11/2017 Jackson D2/731
D803,520 S * 11/2017 Kelley D2/731
2017/0065003 A1 * 3/2017 Chen A41B 9/023

* cited by examiner

Primary Examiner — Sheryl Lane

Assistant Examiner — Jennifer M Campbell

(74) *Attorney, Agent, or Firm* — Barlow, Josephs &
Holmes, Ltd.

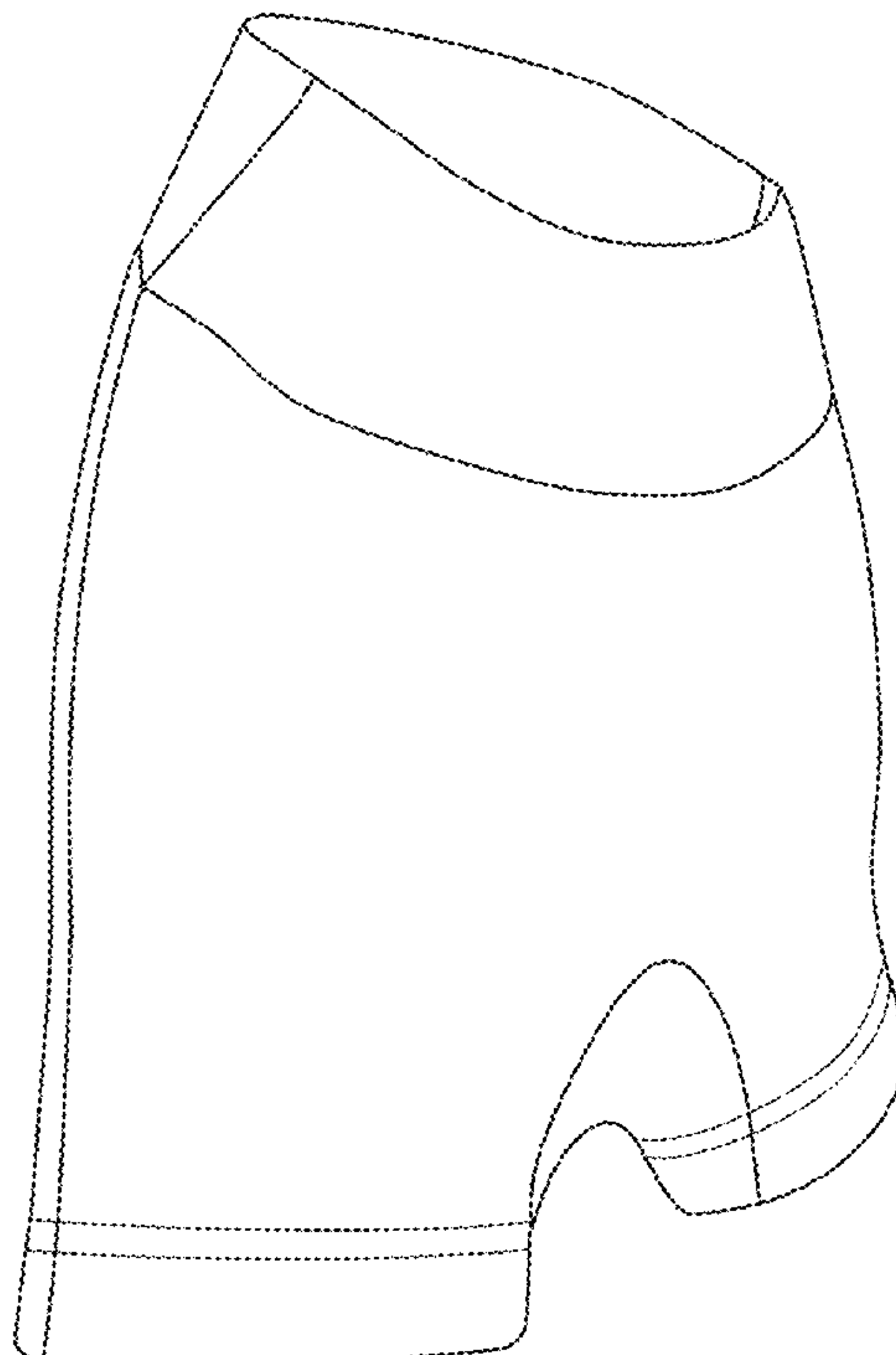
(57) **CLAIM**

The ornamental design for swimwear, as shown and described.

DESCRIPTION

FIG. 1 is a front perspective view of the swimwear in accordance with the present design;
FIG. 2 is a rear perspective view thereof;
FIG. 3 is a front view thereof;
FIG. 4 is a rear view thereof;
FIG. 5 is a top view thereof;
FIG. 6 is a bottom view thereof; and,
FIG. 7 is a right side view thereof, the left and right side views thereof being mirror images thereof.

1 Claim, 7 Drawing Sheets



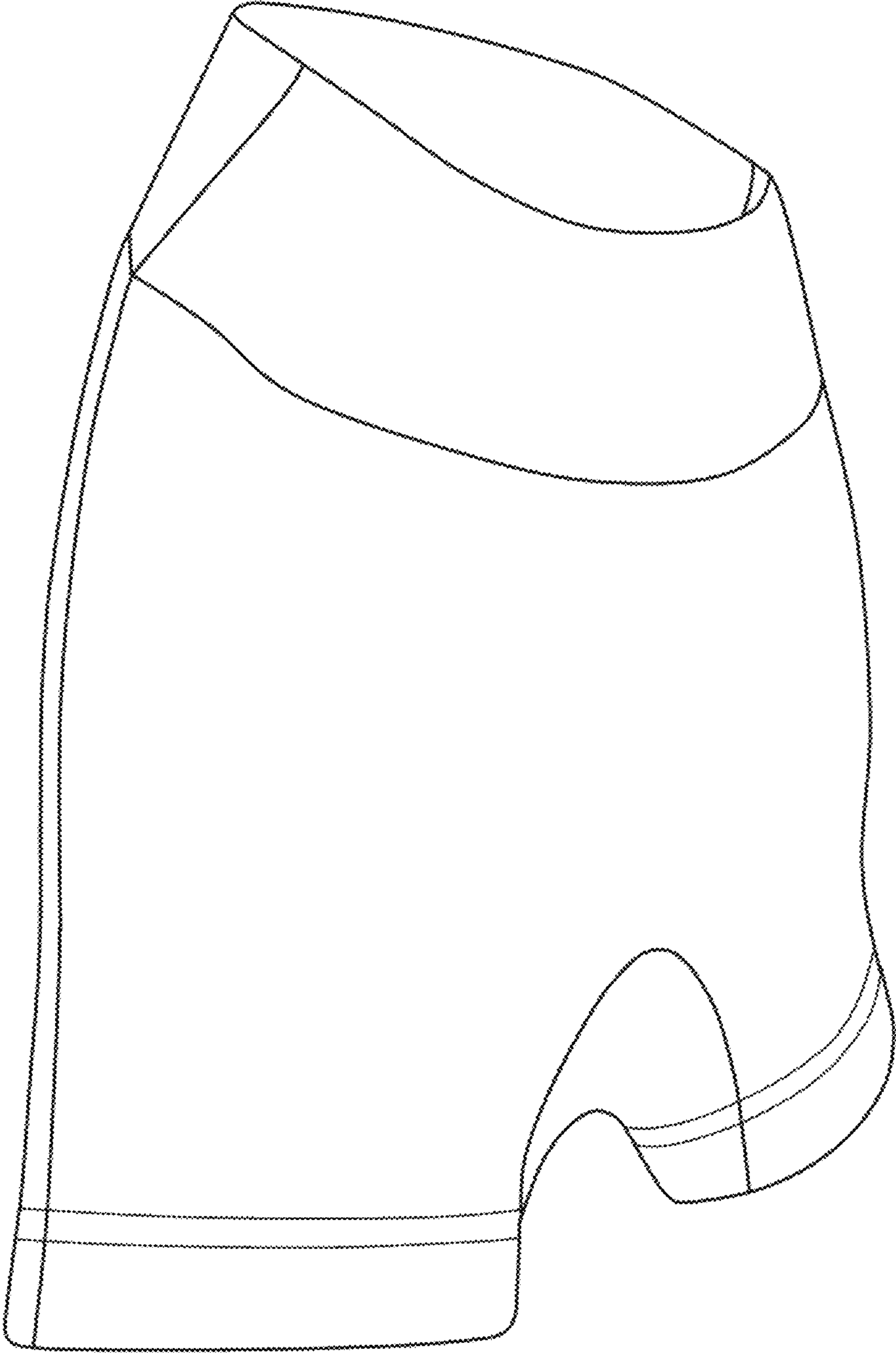


FIG. 1

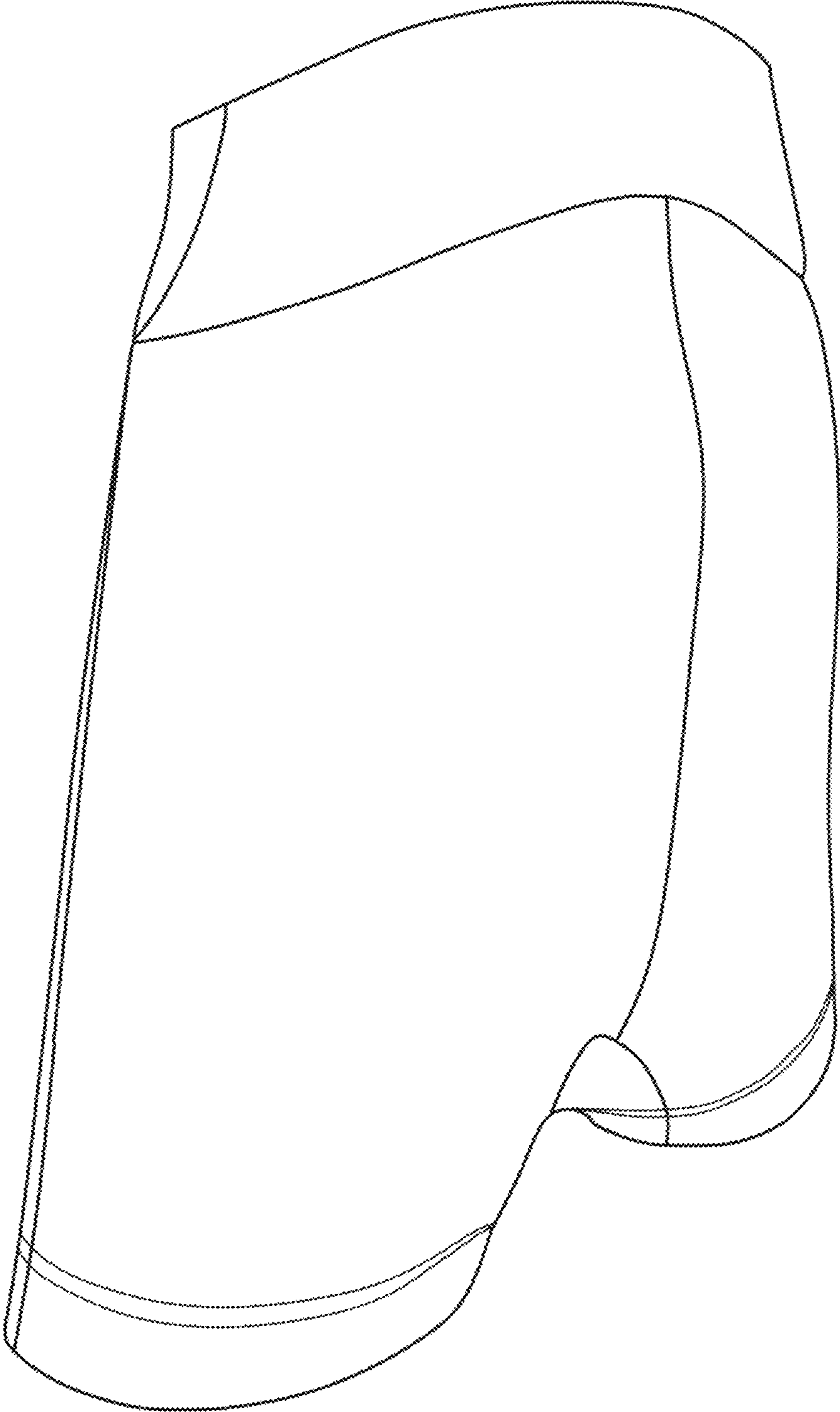


FIG. 2

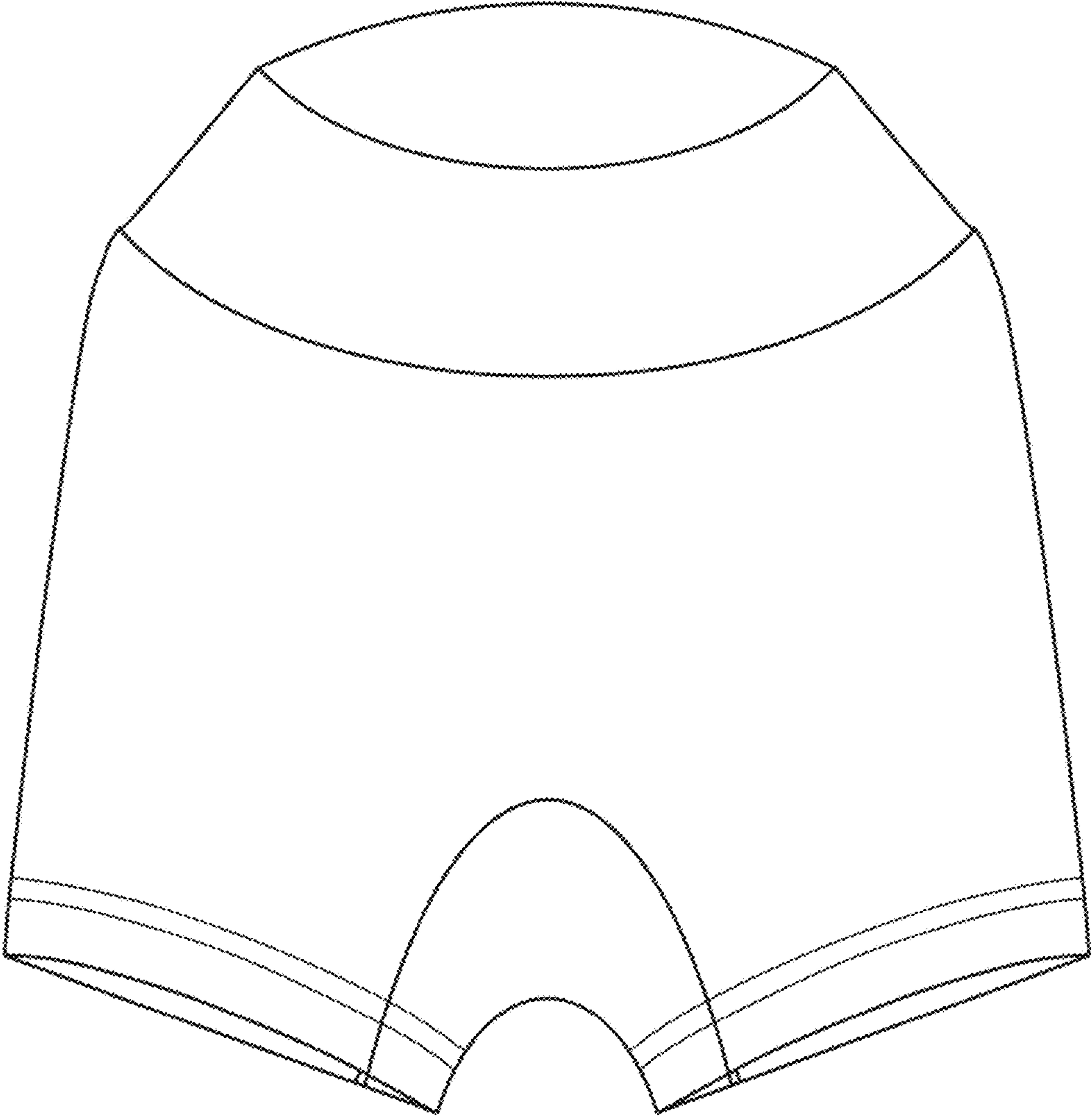


FIG. 3

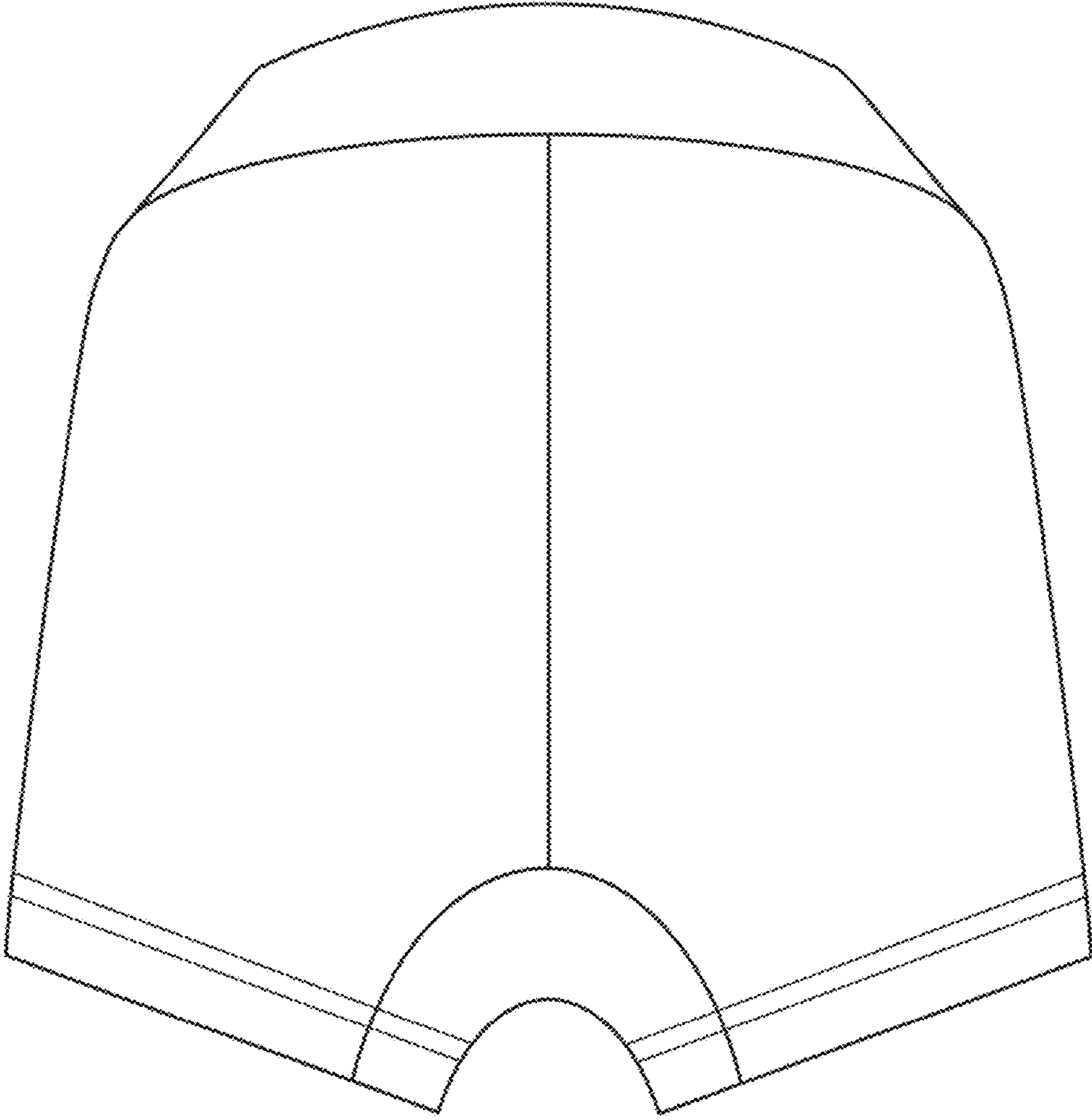


FIG. 4

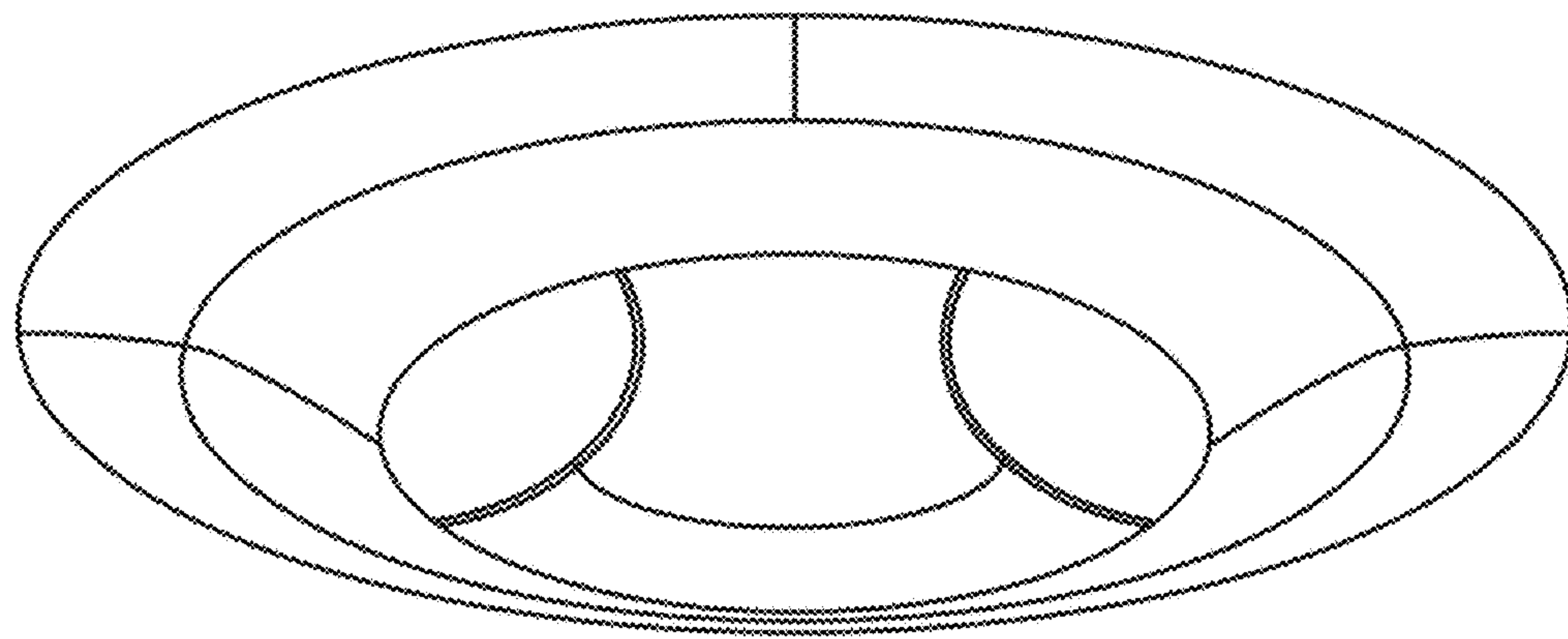


FIG. 5

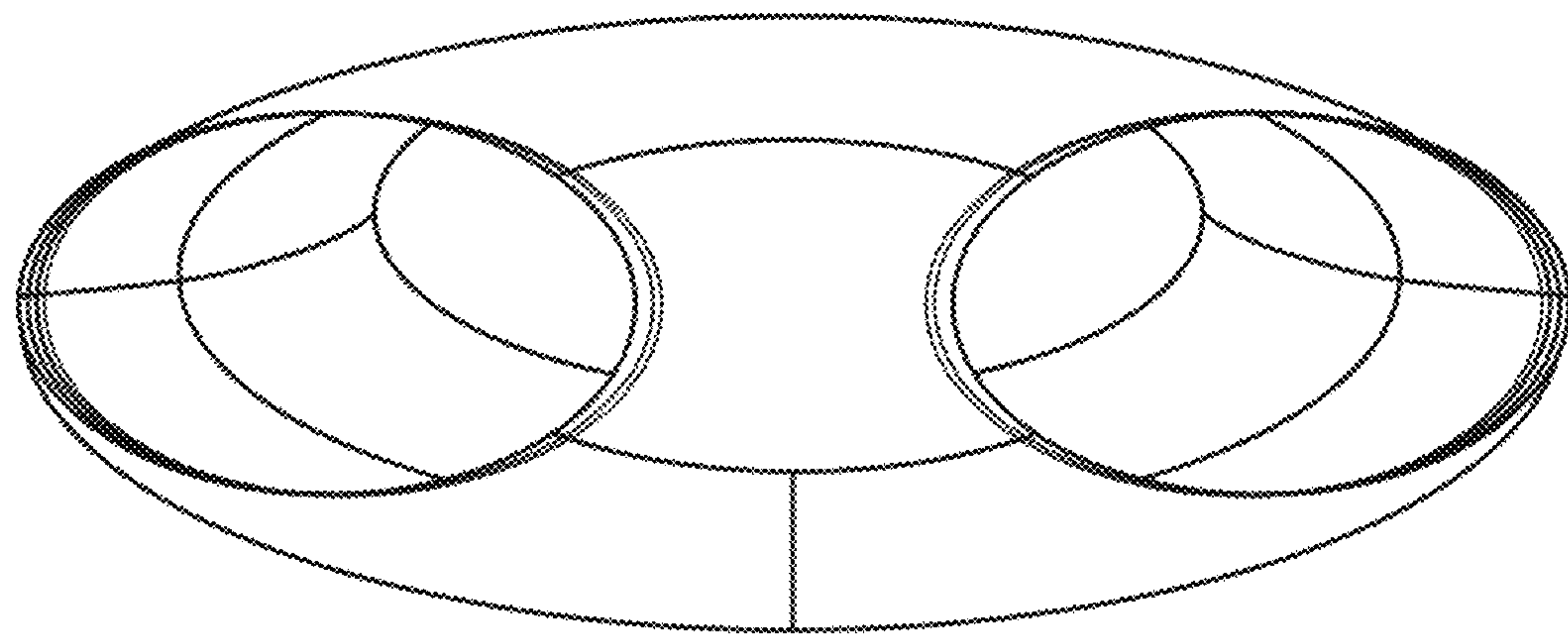


FIG. 6

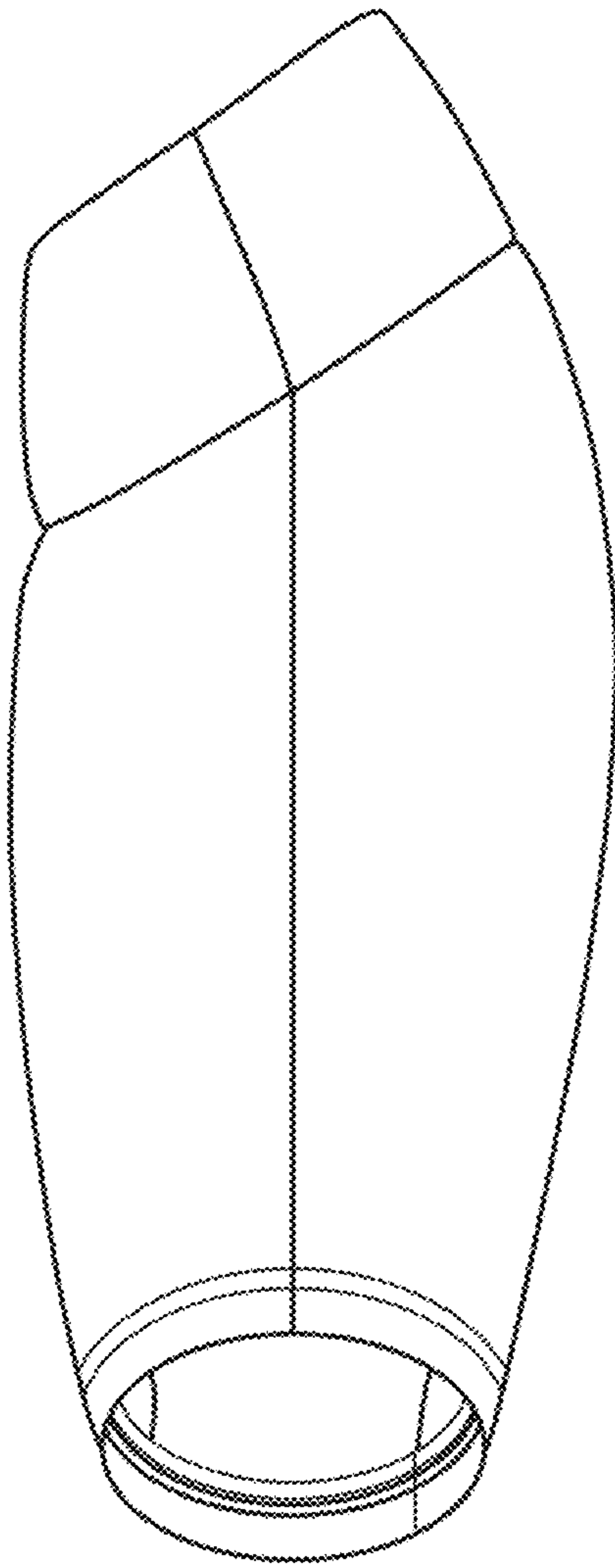


FIG. 7