



US00D816946S

(12) **United States Design Patent** (10) **Patent No.:** **US D816,946 S**
Waldman (45) **Date of Patent:** **** May 8, 2018**

- (54) **SWIMSUIT**
- (71) Applicant: **Global Trademarks, Inc.**, Stockerton, PA (US)
- (72) Inventor: **Mark Waldman**, Annandale, NJ (US)
- (73) Assignee: **GLOBAL TRADEMARKS, INC.**
- (**) Term: **15 Years**
- (21) Appl. No.: **29/572,276**
- (22) Filed: **Jul. 26, 2016**
- (51) **LOC (11) Cl.** **02-02**
- (52) **U.S. Cl.**
USPC **D2/731**
- (58) **Field of Classification Search**
USPC D2/731-738, 706, 712
CPC A41D 7/00; A41D 7/001; A41D 7/005
See application file for complete search history.

D727,594 S	4/2015	Waldman	
D728,896 S	5/2015	Waldman	
D728,897 S	5/2015	Waldman	
D731,749 S	6/2015	Waldman	
D742,620 S	* 11/2015	Waldman D2/731
D746,021 S	* 12/2015	Saylor D2/731
D755,476 S	* 5/2016	Waldman D2/735
D775,783 S	* 1/2017	Waldman D2/731

(56) **References Cited**
U.S. PATENT DOCUMENTS

2,060,689 A	11/1936	Read
5,359,732 A	11/1994	Waldman et al.
D600,880 S	9/2009	Waldman
D613,036 S	4/2010	Waldman
D613,477 S	4/2010	Waldman
D620,229 S	7/2010	Waldman
D625,079 S	10/2010	Souza et al.
D634,510 S	3/2011	Waldman
D635,740 S	4/2011	Waldman
D636,559 S	4/2011	Maestrales
D641,958 S	7/2011	Waldman
D679,071 S	4/2013	Waldman
D687,212 S	8/2013	Waldman et al.
D693,542 S	11/2013	Waldman
D701,675 S	4/2014	Waldman
D706,019 S	6/2014	Waldman
D717,523 S	11/2014	Waldman

OTHER PUBLICATIONS

Minky Bath Wrap posted by Mink, posted review date Jun. 12, 2014, © EverythingSummerCamp.com, [online], [site visited Aug. 10, 2017]. Available from Internet, <<http://www.everythingsummercamp.com/mint-minky-bath-wrap-youth>>.*
 MagicSuit, posted review date Apr. 3, 2013, © Macy.com, [online], [site visited Aug. 10, 2017]. Available from Internet, <https://www.macys.com/shop/product/magicsuit-draped-tummy-control-one-piece-swimsuit?ID=758163&pla_country=US&CAGPSPN=pla&CAWELAID=120156340009416632&CAAGID=17185538341&CATCI=pla-31776759851&catargetid=12>.*

(Continued)

Primary Examiner — Cynthia Ramirez
Assistant Examiner — Laura H Yu
 (74) *Attorney, Agent, or Firm* — Belles Katz LLC

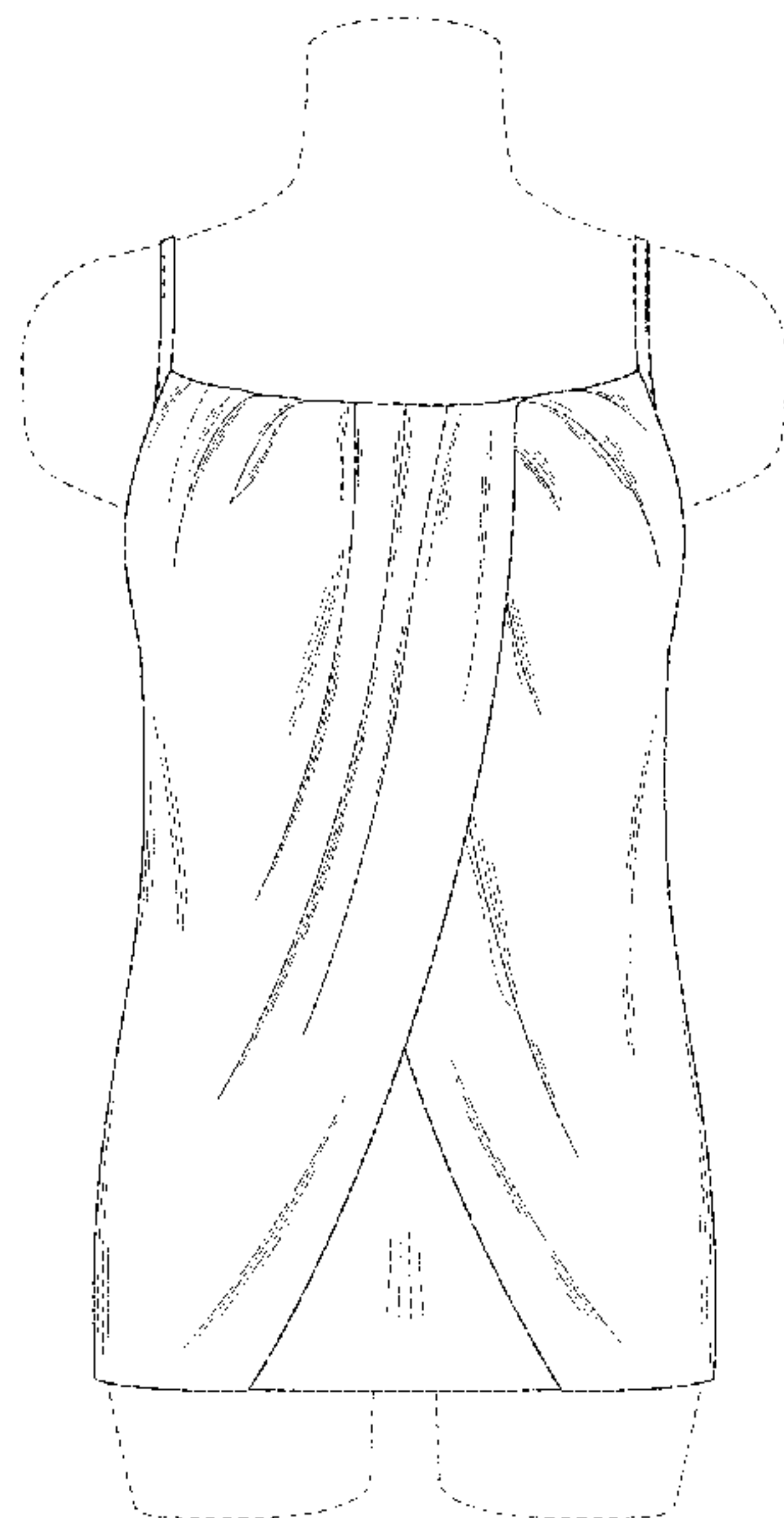
(57) **CLAIM**

The ornamental design for a swimsuit, as shown and described.

DESCRIPTION

FIG. 1 is a front view of a swimsuit showing my new design. FIG. 2 is a rear view thereof. FIG. 3 is a left-side view thereof; and, FIG. 4 is a right-side view thereof. The broken lines formed by linear segments of equal length in the figures are provided for environment only and form no part of the claimed design.

1 Claim, 4 Drawing Sheets



(56)

References Cited

OTHER PUBLICATIONS

Draped One Piece posted by Badgley Mischka, wayback machine posted date Aug. 2, 2016, © badgleymischka.com, [online], [site visited Aug. 10, 2017]. Available from Internet, <<http://www.badgleymischka.com/bm50007/>>.*

Flyaway Tankini posted by Merona, posted review date Jun. 12, 2016, © Target.com, [online], [site visited Aug. 10, 2017]. Available from Internet, <<https://www.target.com/p/women-s-solid-flyaway-tankini-top-merona-153/-/A-50192713>>.*

Jubilee posted by Miracle Suit, posted date May 13, 2016, © Amazon.com, [online], [site visited Aug. 10, 2017]. Available from Internet, <https://www.amazon.com/Miraclesuit-Womens-Miracle-Jubilee-Tankini/dp/B01B3RLOO4/ref=pd_ybh_a_19?_encoding=UTF8&psc=1&refRID=JRPD09CRWH652KST6K7S>.*

Pleated Camisole posted by Sixother, posted date May 27, 2017, © Amazon.com, [online], [site visited Aug. 10, 2017]. Available from Internet, <https://www.amazon.com/Sixother-Womens-Pleated-Camisole-Sleeveless/dp/B072JDFN3Q/ref=pd_ybh_a_27?_encoding=UTF8&refRID=MA1FZ8VS5PX8KNM6MB6K>.*

* cited by examiner



FIG. 1

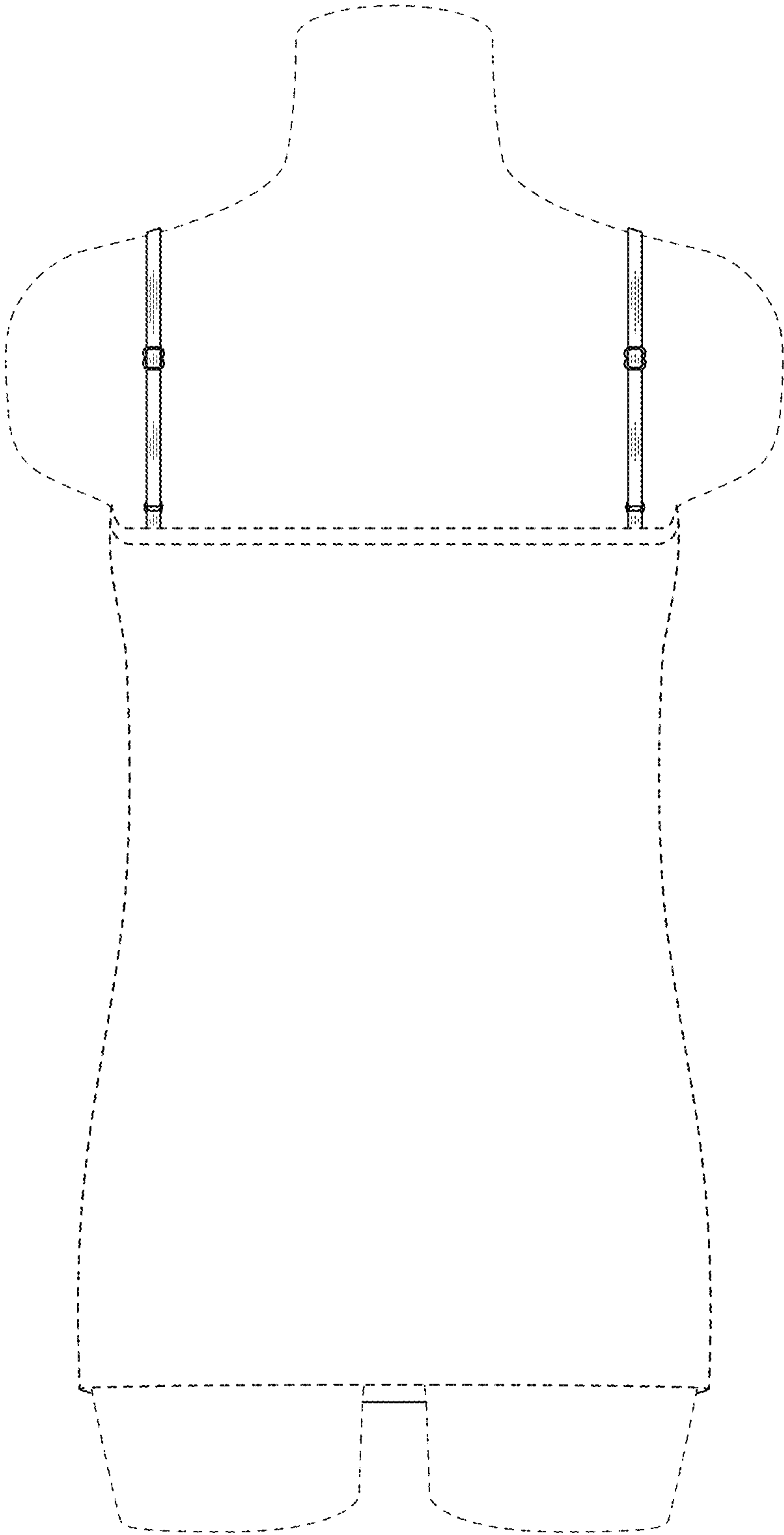


FIG. 2

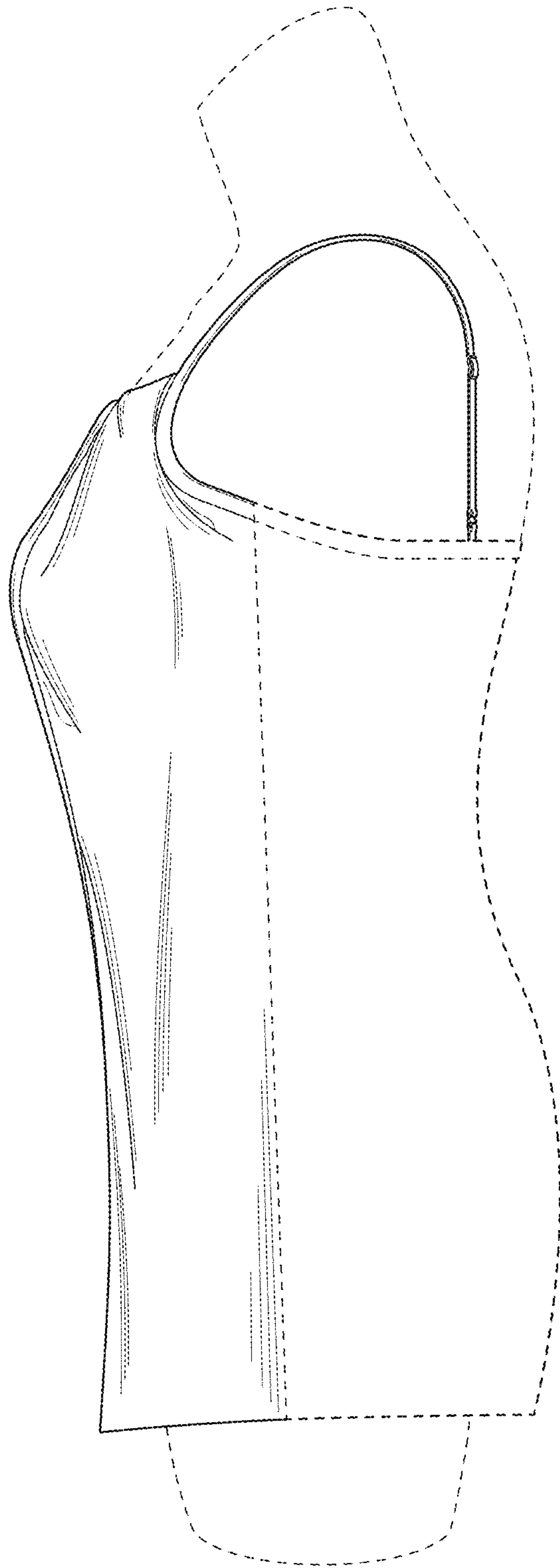


FIG. 3

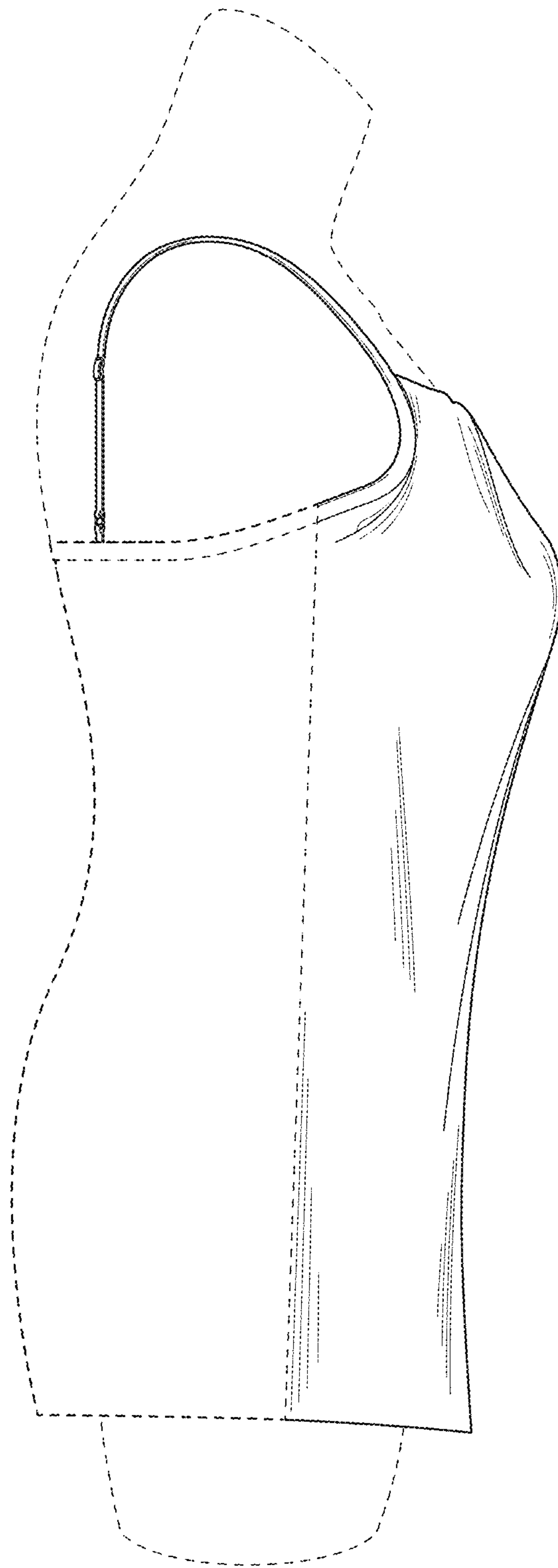


FIG. 4