



US00D816938S

(12) **United States Design Patent**
Fretz et al.

(10) **Patent No.:** **US D816,938 S**
(45) **Date of Patent:** **** May 1, 2018**

- (54) **WINCH**
- (71) Applicant: **Warn Industries, Inc.**, Clackamas, OR (US)
- (72) Inventors: **Darren G. Fretz**, Oregon City, OR (US); **Bryan M. Averill**, Portland, OR (US); **Steven W. Shuyler**, Clackamas, OR (US); **Bryon M. Borntreger**, West Linn, OR (US); **Kyle A. Hartelt**, Portland, OR (US); **Glenda M. Steele**, Milwaukie, OR (US)
- (73) Assignee: **WARN INDUSTRIES, INC.**, Clackamas, OR (US)
- (**) Term: **15 Years**
- (21) Appl. No.: **29/616,155**
- (22) Filed: **Sep. 1, 2017**

CPC ... B66D 1/14; B66D 1/38; B66D 1/28; B66D 1/04; B66D 1/22; B66D 1/39; B66D 1/7405; B66D 1/00; B66D 1/08; B66D 1/26; B66D 1/36; B66D 1/505; B66D 1/7484

See application file for complete search history.

(56) **References Cited**

U.S. PATENT DOCUMENTS

1,550,114 A	8/1925	Simpson
2,360,713 A	10/1944	Parker
2,365,141 A	12/1944	Sully
3,190,617 A	6/1965	Burrows
4,103,872 A	8/1978	Hirasuka
5,098,068 A	3/1992	Jussila

(Continued)

FOREIGN PATENT DOCUMENTS

CN	3360098	3/2004
CN	3534142	6/2006

(Continued)

Primary Examiner — Cynthia Ramirez

(74) *Attorney, Agent, or Firm* — K&L Gates LLP

(57) **CLAIM**

The ornamental design for a winch, as shown and described.

DESCRIPTION

FIG. 1 is a front perspective view of a winch according to the present disclosure.

FIG. 2 is a front view of the winch of FIG. 1.

FIG. 3 is a top view of the winch of FIG. 1.

FIG. 4 is a right side view of the winch of FIG. 1; and,

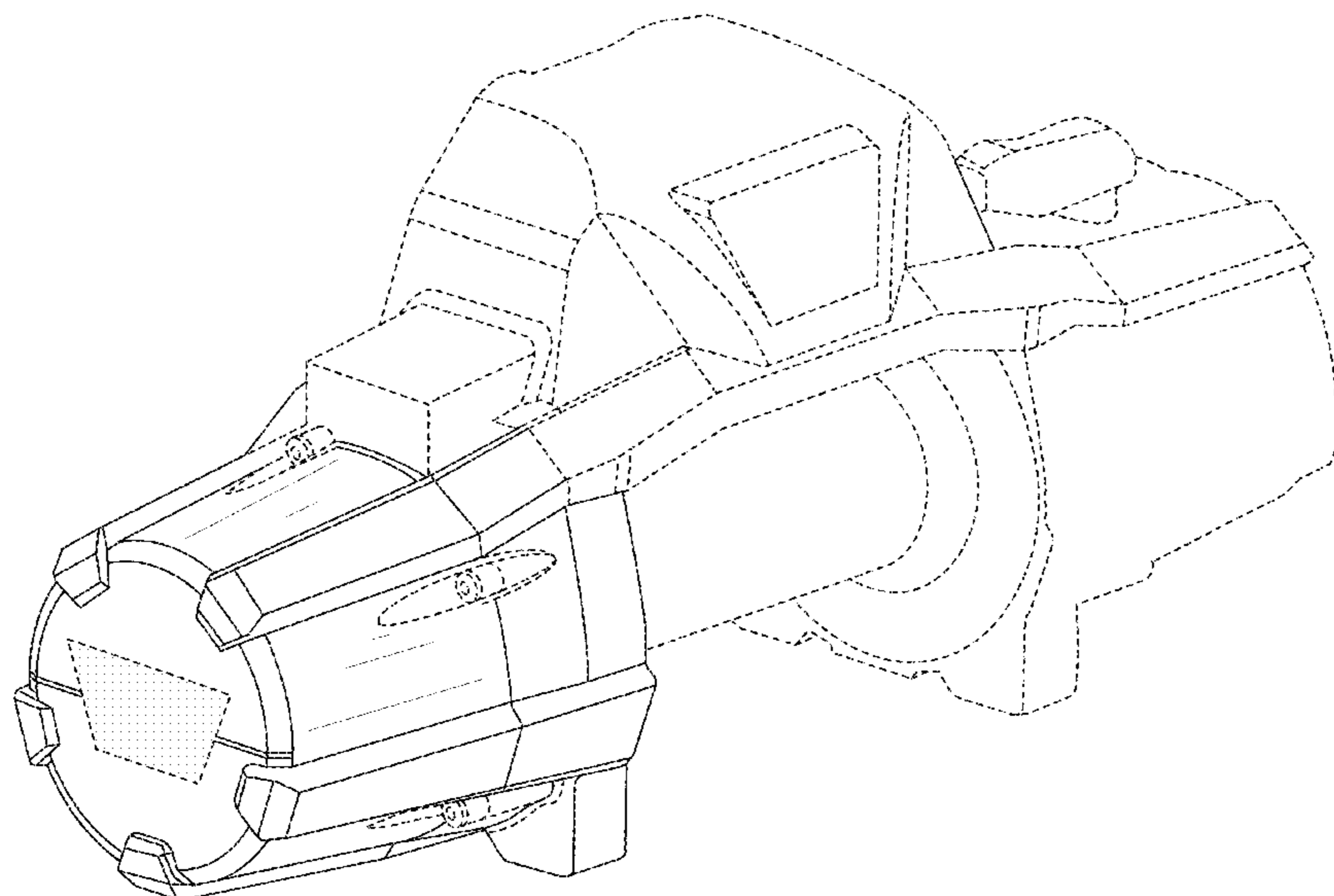
FIG. 5 is a left side view of the winch of FIG. 1.

The bottom and rear views are not considered to be ornamental and are not part of the claimed design. The broken lines in the figures are included for the purpose of illustrating portions of the winch and form no part of the claimed design.

1 Claim, 4 Drawing Sheets

Related U.S. Application Data

- (60) Continuation of application No. 29/591,740, filed on Jan. 23, 2017, which is a continuation of application No. 29/562,947, filed on Apr. 29, 2016, now Pat. No. Des. 779,768, which is a division of application No. 29/539,009, filed on Sep. 10, 2015, now Pat. No. Des. 776,395, which is a division of application No. 29/483,214, filed on Feb. 26, 2014, now Pat. No. Des. 740,513, which is a division of application No. 29/426,013, filed on Jun. 29, 2012, now Pat. No. Des. 703,414.
- (51) **LOC (11) Cl.** **12-05**
- (52) **U.S. Cl.**
USPC **D34/33**
- (58) **Field of Classification Search**
USPC D34/33; 254/362, 356, 372, 380, 901, 254/382, 374, 316



(56)

References Cited

U.S. PATENT DOCUMENTS

5,170,885 A 12/1992 Guenther et al.
5,482,255 A 1/1996 Daschel et al.
6,073,917 A 6/2000 Plummer
D473,992 S 4/2003 Hodge
6,601,828 B2 8/2003 Strbuncelj et al.
6,604,731 B2 8/2003 Hodge
D489,157 S 4/2004 Lawson
6,864,650 B2 3/2005 Heravi et al.
D550,924 S 9/2007 Huang
D555,874 S 11/2007 Elliott et al.
D597,105 S 7/2009 Geisler et al.
D599,524 S 9/2009 Averill et al.
7,891,641 B1 2/2011 Miller
D703,414 S 4/2014 Fretz et al.
D740,513 S 10/2015 Fretz et al.
D776,395 S * 1/2017 Fretz D34/33
D779,768 S * 2/2017 Fretz D34/33
2009/0134372 A1 5/2009 Giacomini et al.

FOREIGN PATENT DOCUMENTS

CN 300821624 8/2008
CN 301923099 S 5/2012

* cited by examiner

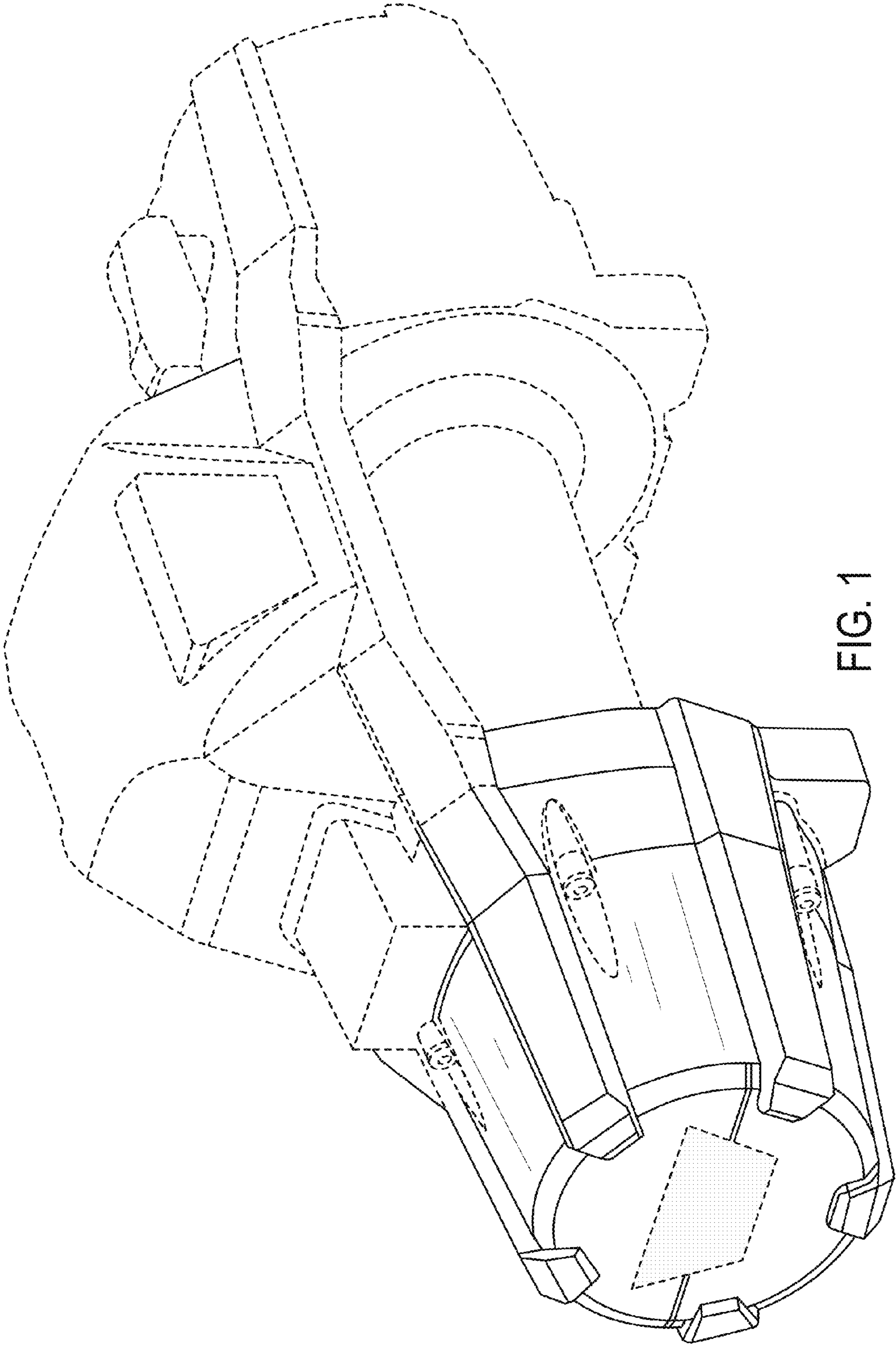


FIG. 1

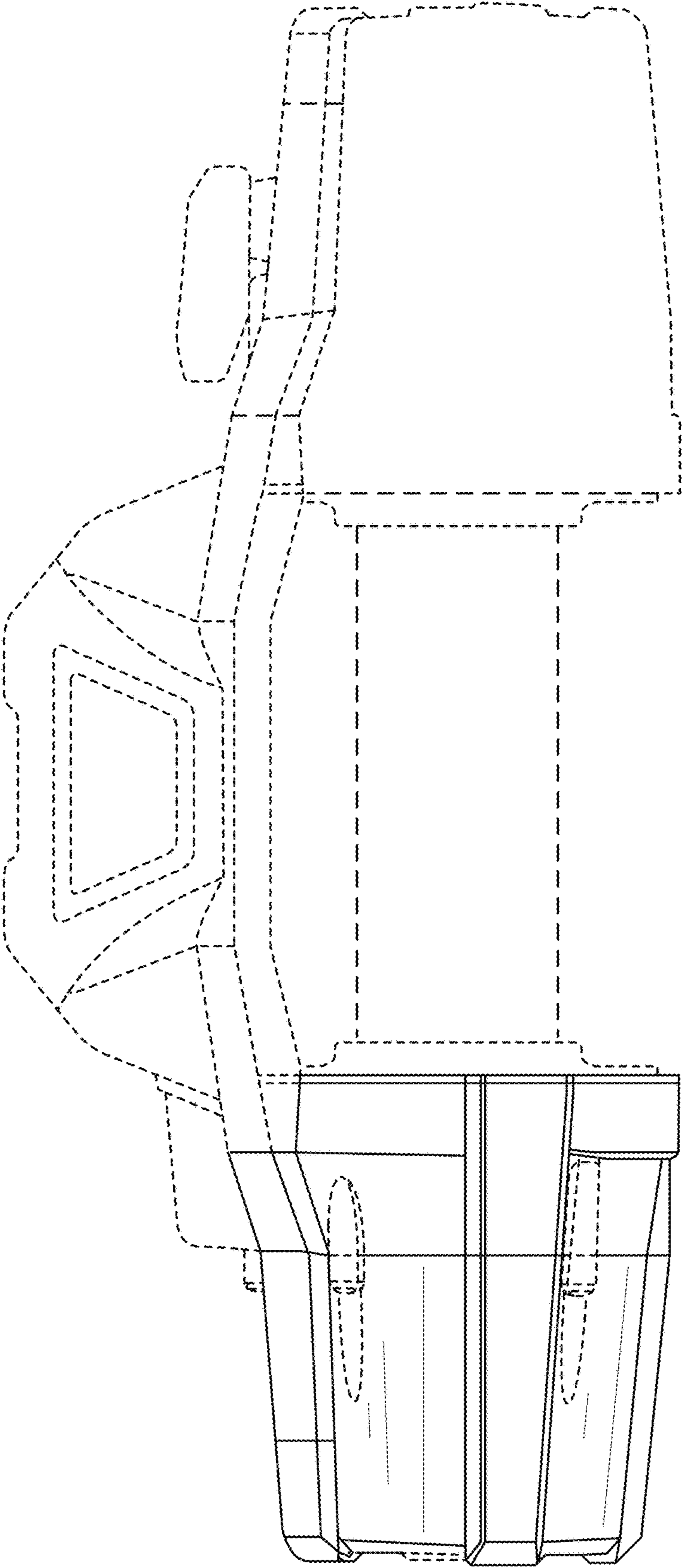


FIG. 2

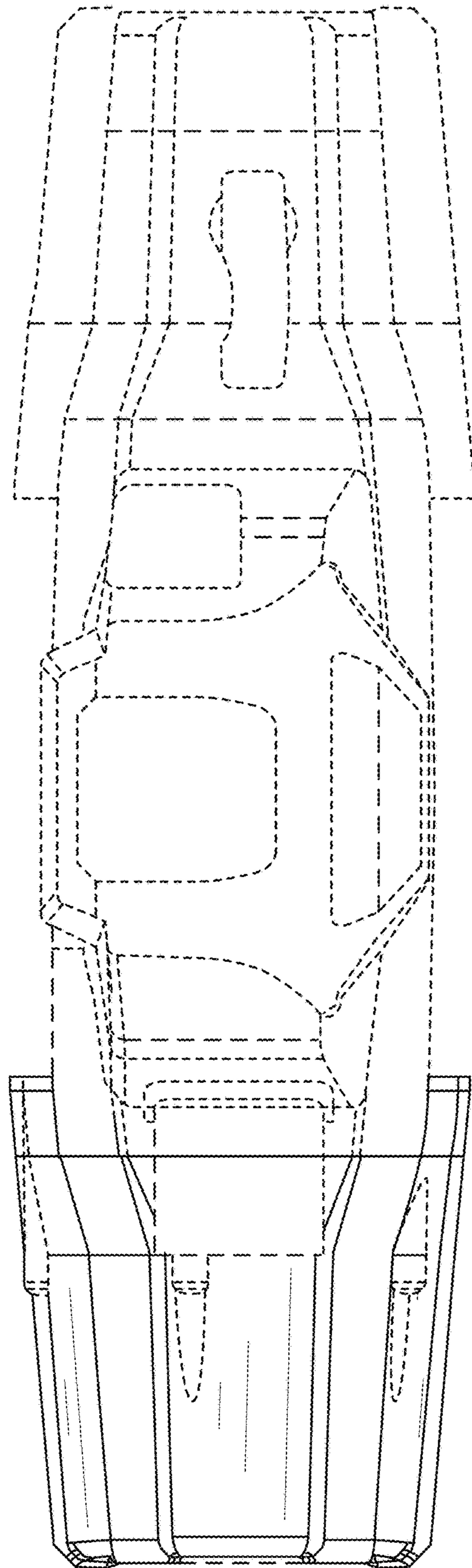


FIG. 3

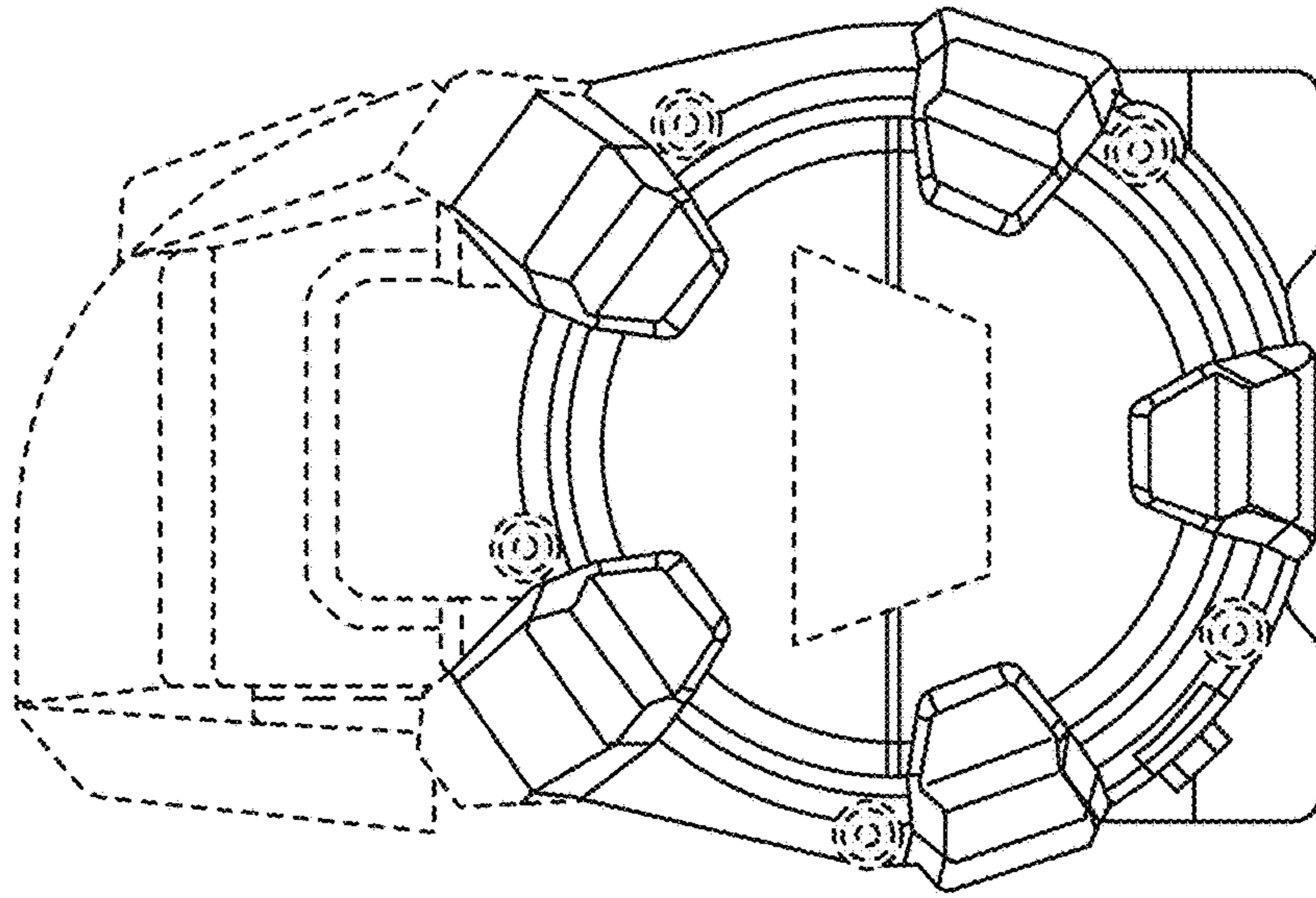


FIG. 5

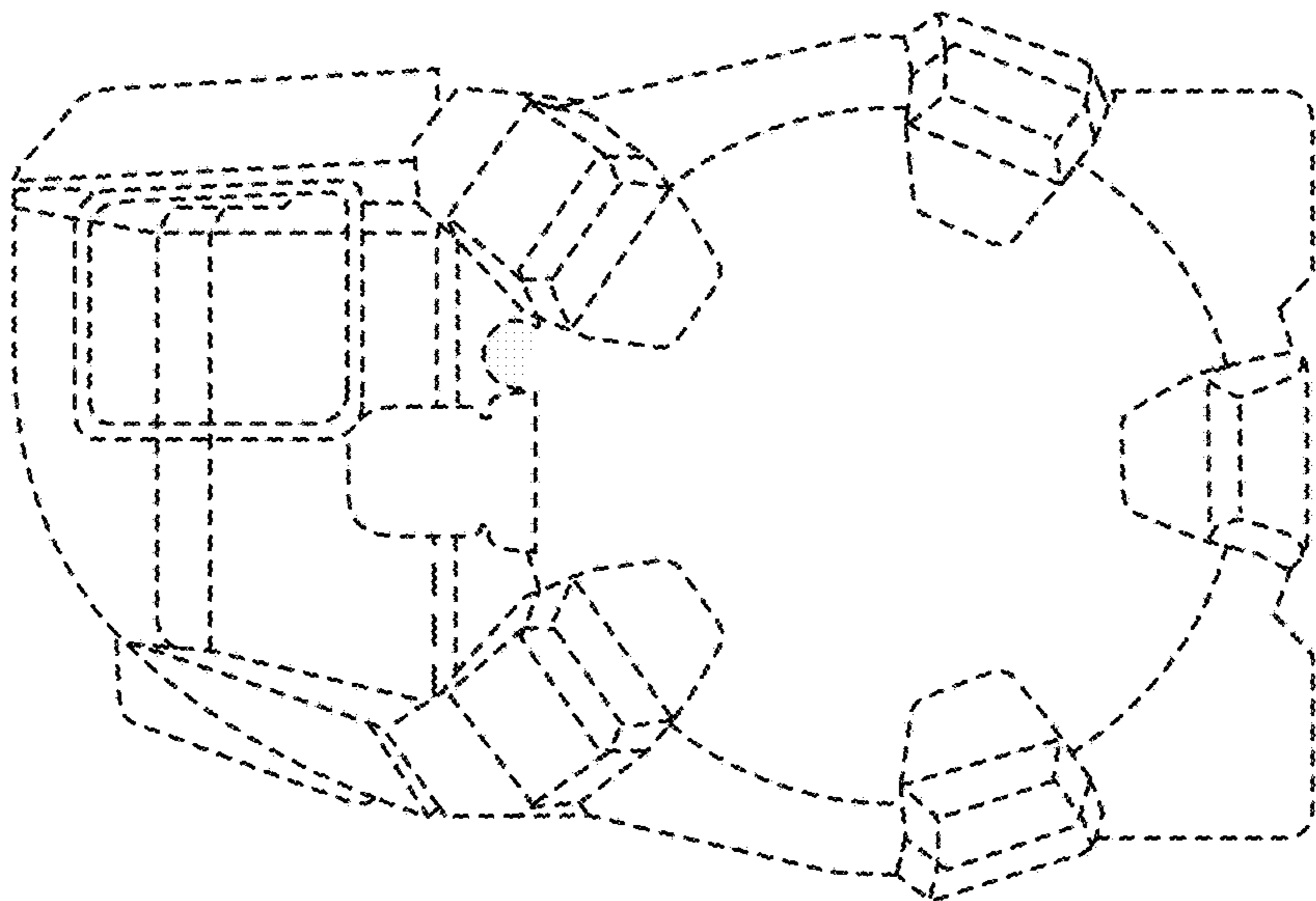


FIG. 4