



US00D816936S

(12) **United States Design Patent** (10) **Patent No.:** **US D816,936 S**
Maness (45) **Date of Patent:** **** May 1, 2018**

(54) **MAGNETIC LIFTING RING** D490,201 S * 5/2004 Liao D34/28
6,854,777 B2 * 2/2005 Jung B66C 1/04
294/65.5
(71) Applicant: **Lifesaving Systems Corp.**, Apollo Beach, FL (US) D536,152 S * 1/2007 Yamaki D34/28
D671,293 S * 11/2012 Fredriksson D34/35
8,702,079 B2 * 4/2014 Sladojevic B25B 11/002
249/40
(72) Inventor: **Samuel G. Maness**, Apollo Beach, FL (US) D759,337 S * 6/2016 Kearney D34/35
D798,021 S * 9/2017 Mueller D34/28
(73) Assignee: **LIFESAVING SYSTEMS CORP.**, Apollo Beach, FL (US) 2013/0320686 A1 * 12/2013 Morton B66C 1/04
294/65.5
2016/0289046 A1 * 10/2016 Norton B66C 1/04

(**) Term: **15 Years**

* cited by examiner

(21) Appl. No.: **29/581,616**

Primary Examiner — Cynthia Ramirez

(22) Filed: **Oct. 20, 2016**

(74) Attorney, Agent, or Firm — Shumaker, Loop & Kendrick, LLP

(51) **LOC (11) Cl.** **12-05**

(52) **U.S. Cl.**
USPC **D34/28**

(57) **CLAIM**

The ornamental design for a magnetic lifting ring, as shown and described.

(58) **Field of Classification Search**
USPC D34/28, 35; 254/264; 294/65.5, 82.1, 294/82.2, 82.22
CPC B66C 1/04; B66C 23/48; A61G 7/1017; A61G 7/1019
See application file for complete search history.

DESCRIPTION

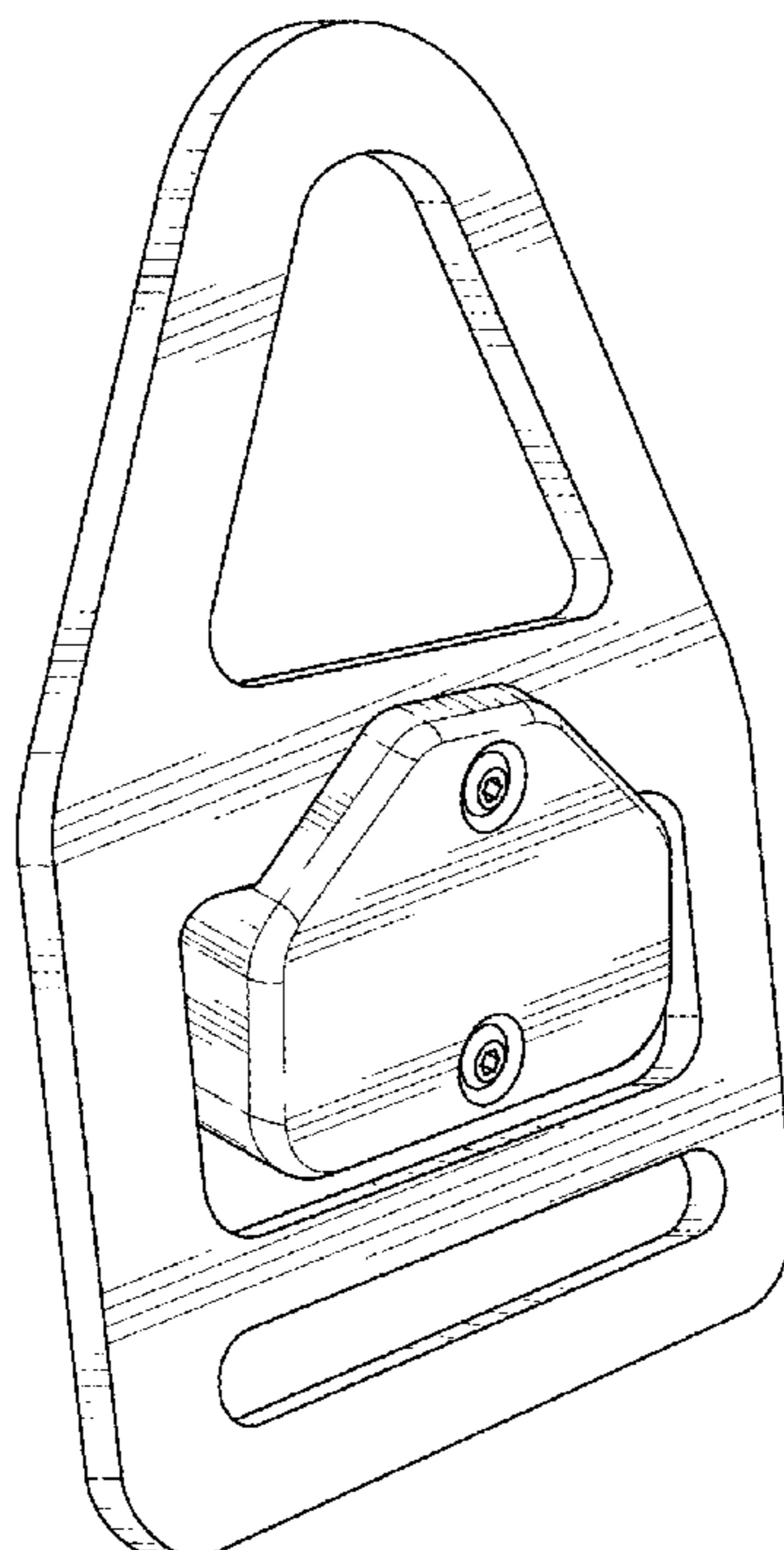
FIG. 1 is a back perspective view of the new design for a magnetic lifting ring;
FIG. 2 is a back perspective view thereof;
FIG. 3 is a front view thereof;
FIG. 4 is a right side view thereof;
FIG. 5 is a left side view thereof;
FIG. 6 is a top view thereof; and,
FIG. 7 is a bottom view thereof.
The elements shown in broken lines in FIG. 3 are to show portions of the magnetic lifting ring that form no part of the claimed design.

(56) **References Cited**

U.S. PATENT DOCUMENTS

D277,992 S * 3/1985 Tupper D34/28
5,382,935 A * 1/1995 Doyelle B66C 1/04
335/288
6,331,810 B1 * 12/2001 Jung B66C 1/04
269/8
6,557,429 B1 * 5/2003 Asquith B66C 1/04
335/212

1 Claim, 4 Drawing Sheets



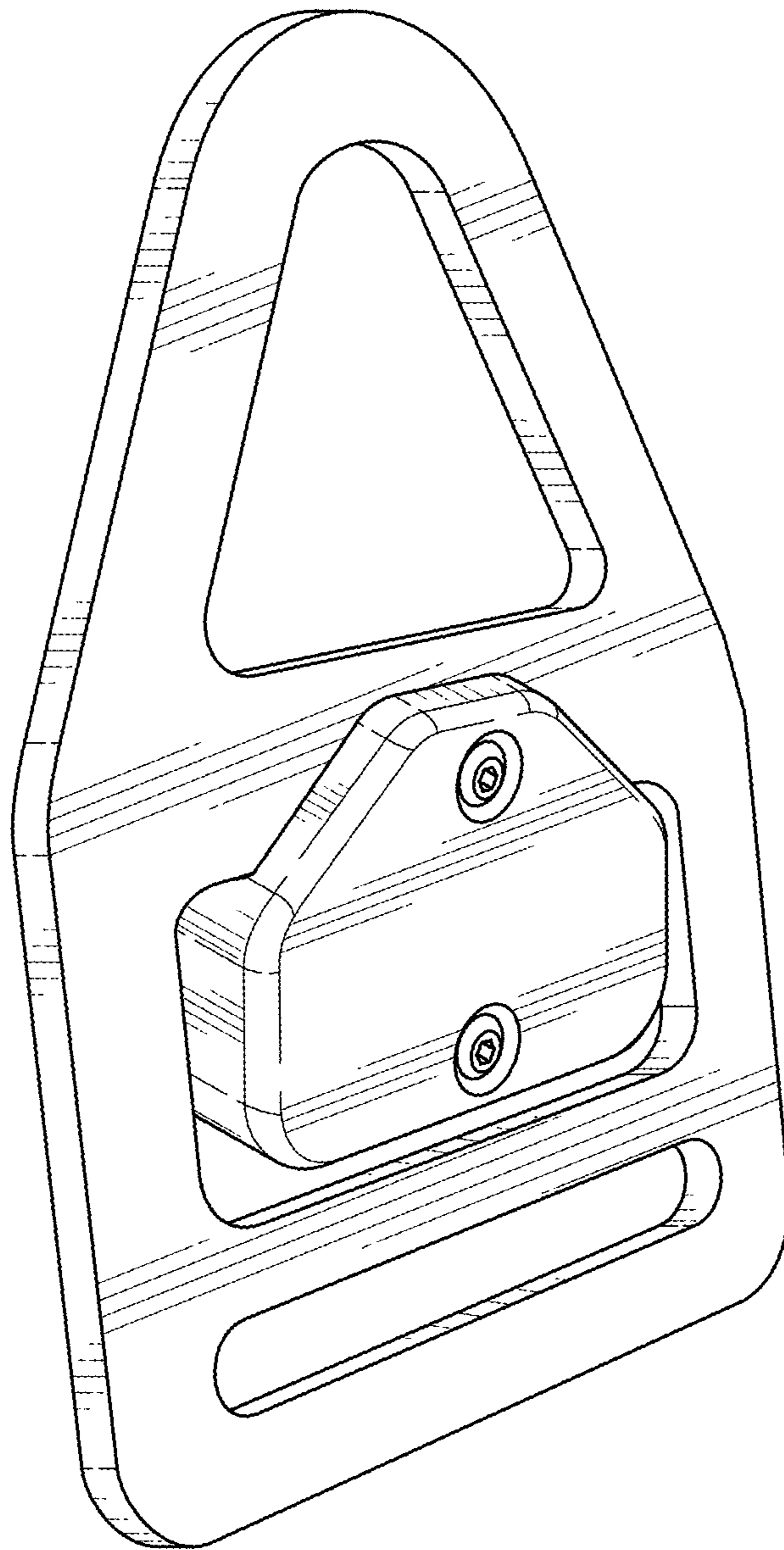


FIG. 1

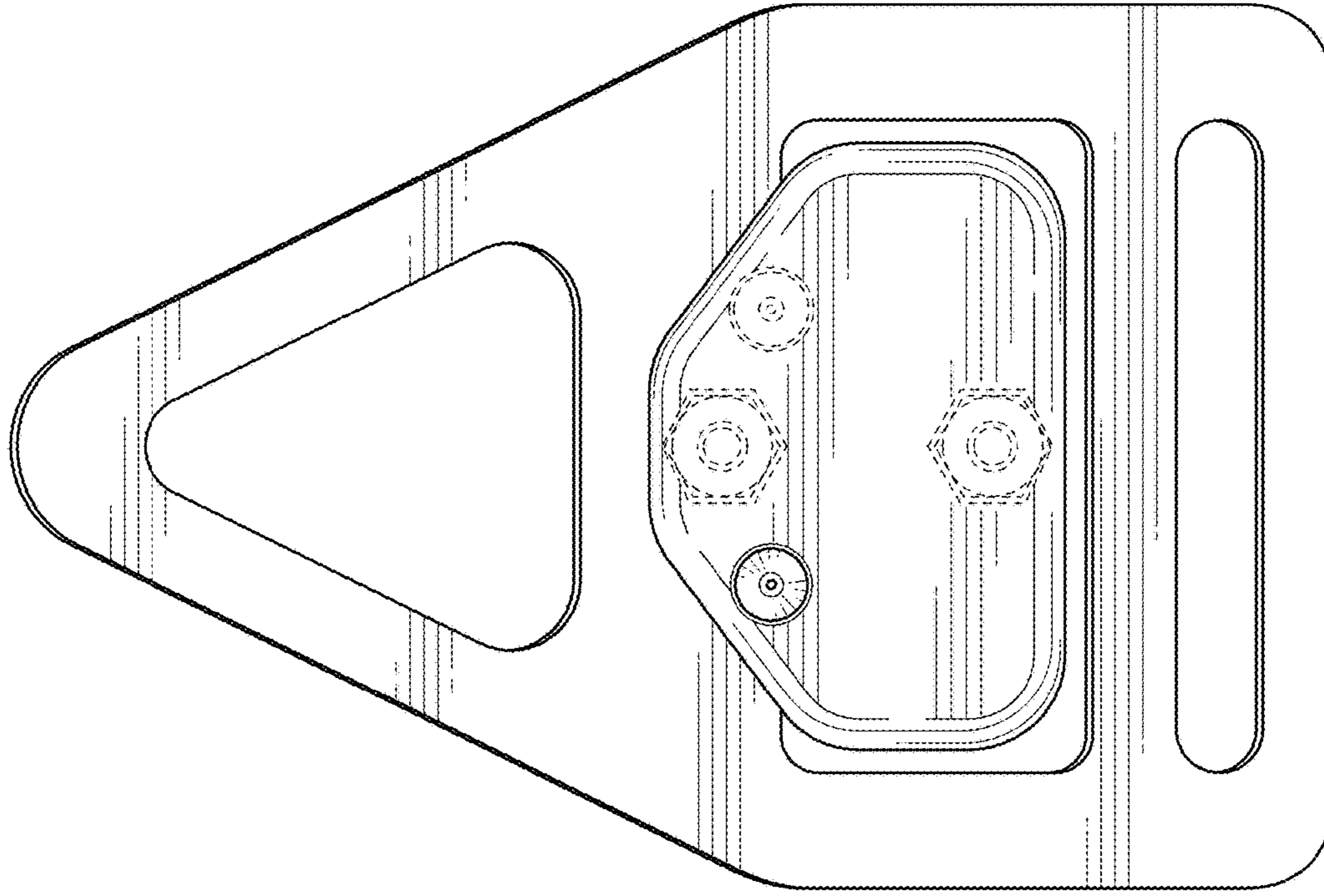


FIG. 3

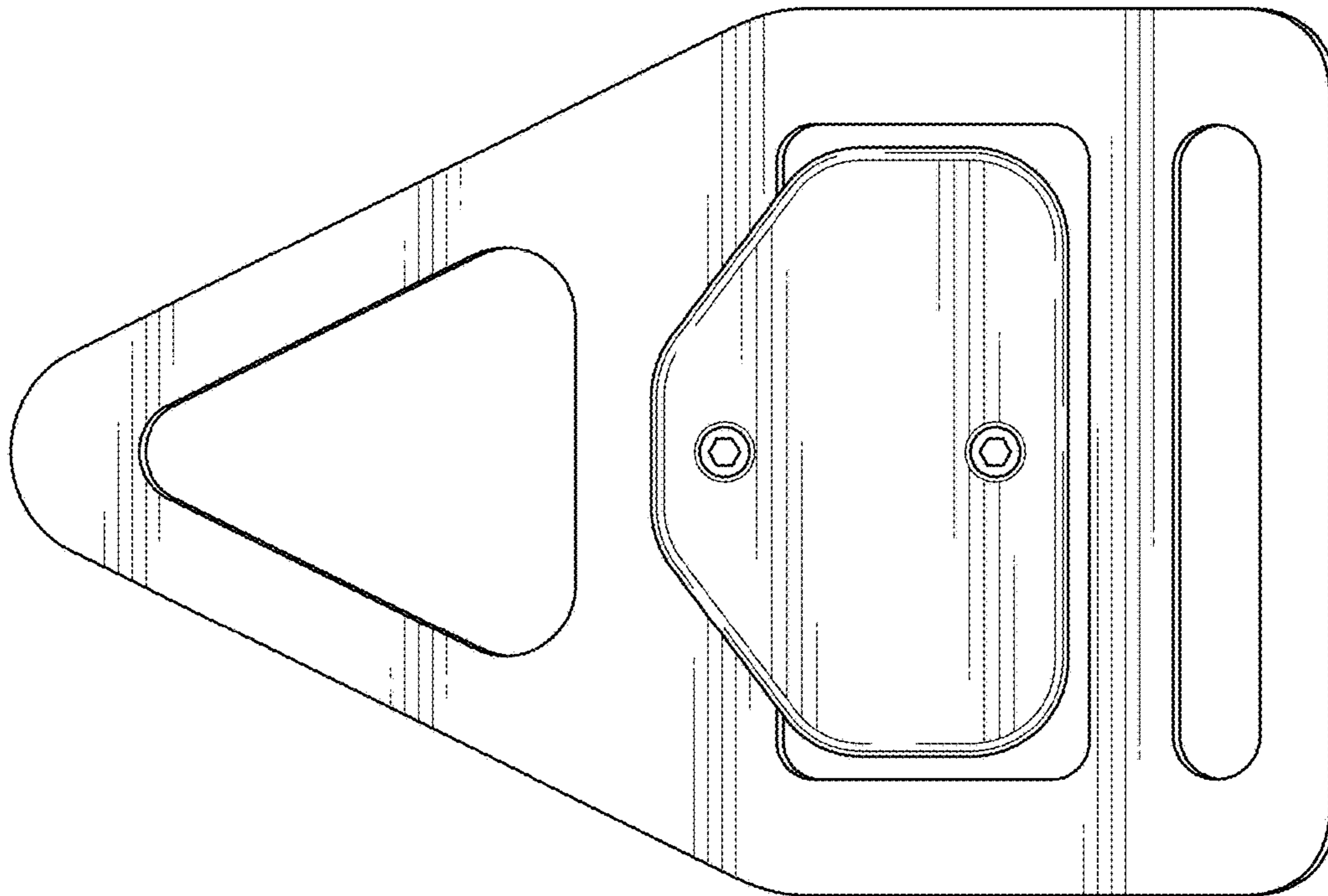


FIG. 2

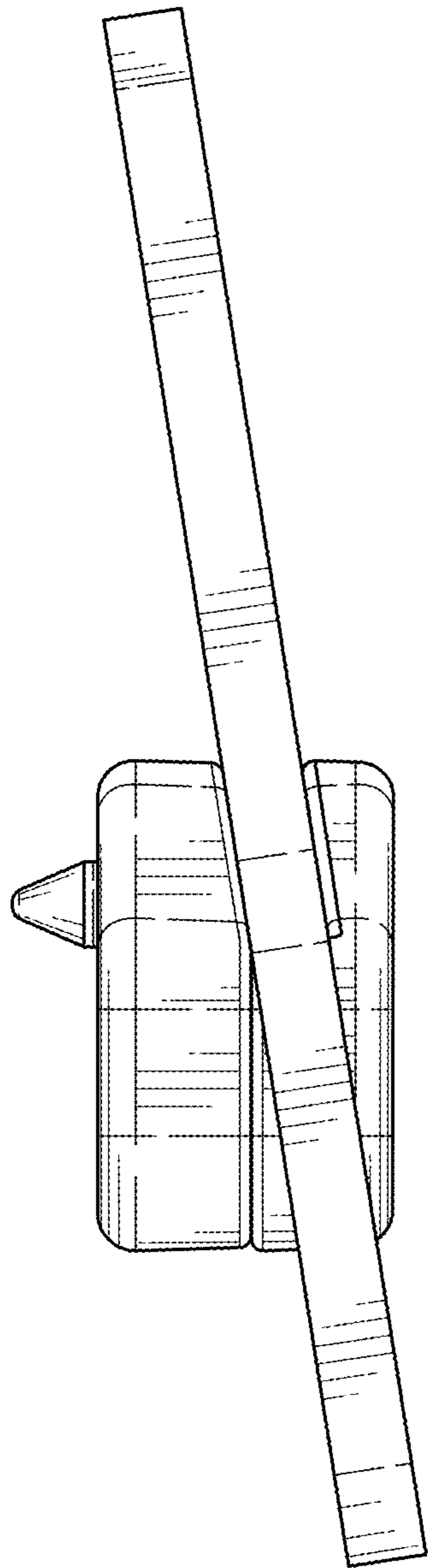


FIG. 4

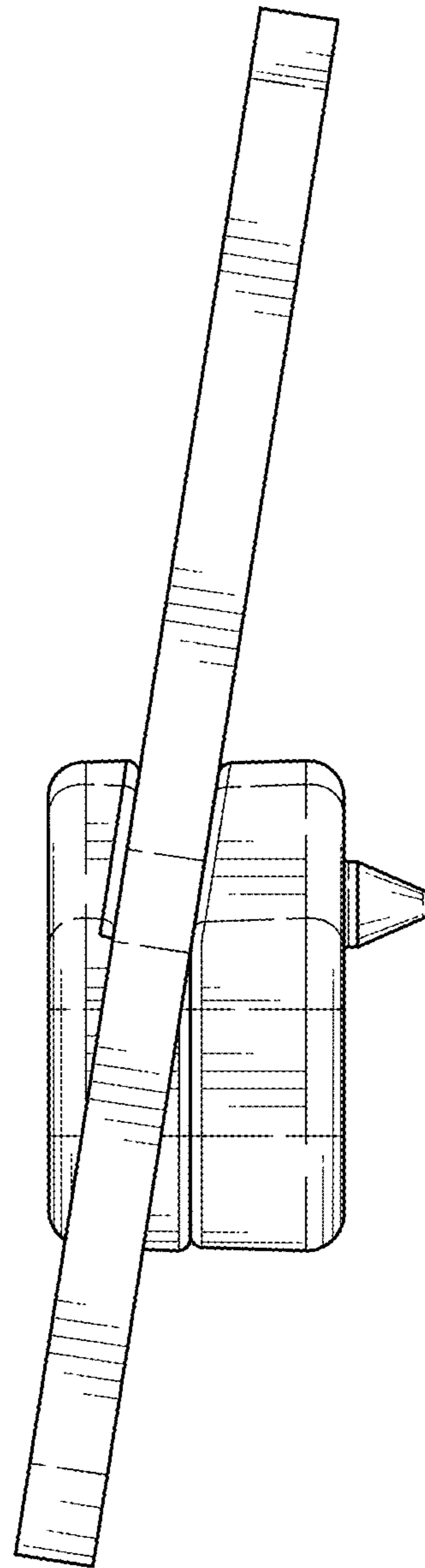


FIG. 5

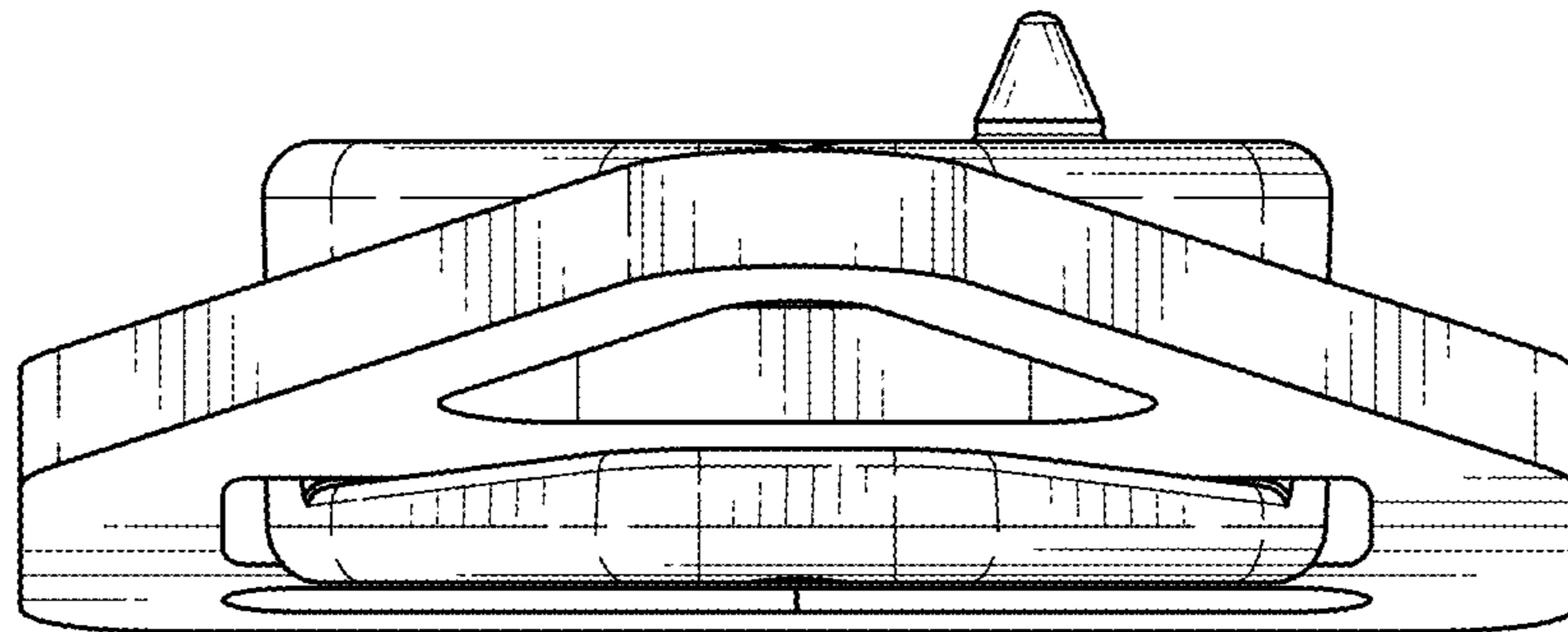


FIG. 6

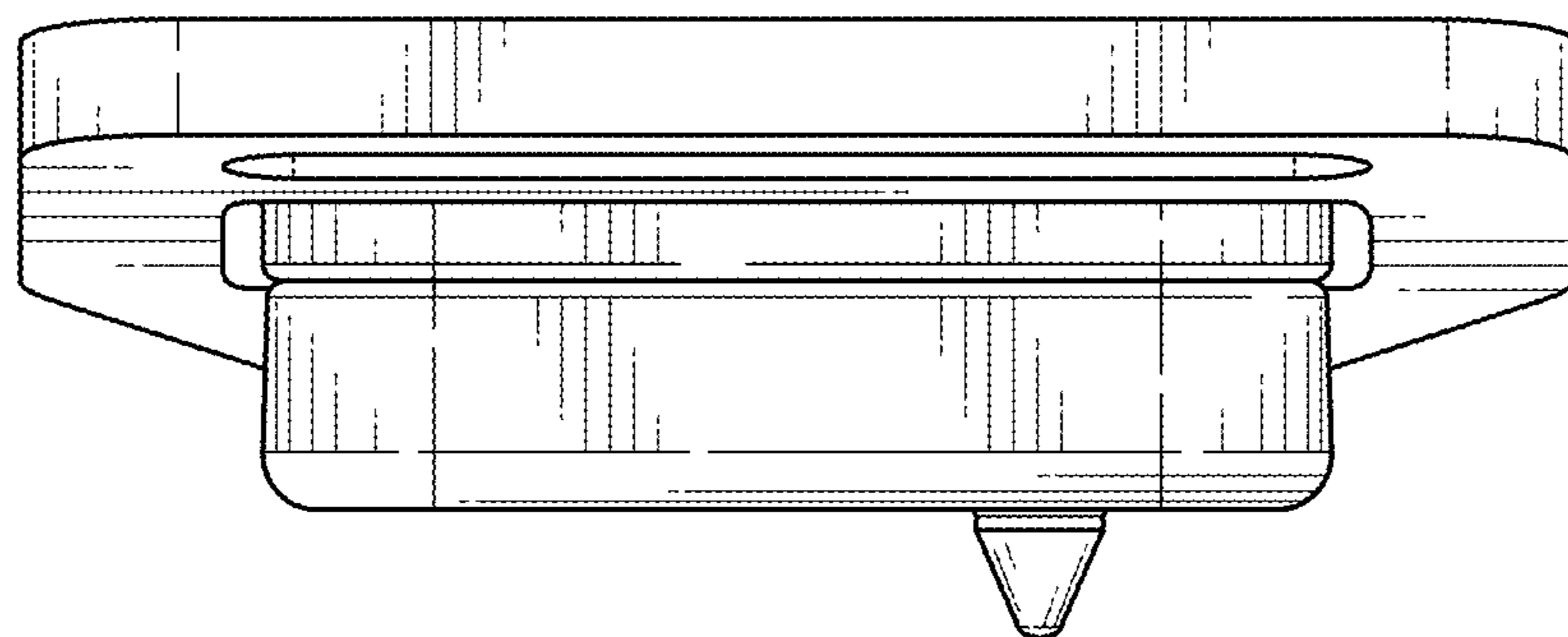


FIG. 7