



US00D816934S

(12) **United States Design Patent**
Klipshtein

(10) **Patent No.:** **US D816,934 S**

(45) **Date of Patent:** **** May 1, 2018**

(54) **UTENSIL HOLDER**

(71) Applicant: **HUTZLER MANUFACTURING CO., INC.**, Canaan, CT (US)

(72) Inventor: **Guy Klipshtein**, Givatayim (IL)

(73) Assignee: **Hutzler Manufacturing Co., Inc.**, Canaan, CT (US)

(**) Term: **15 Years**

(21) Appl. No.: **29/597,197**

(22) Filed: **Mar. 15, 2017**

(51) **LOC (11) Cl.** **07-05**

(52) **U.S. Cl.**
USPC **D32/55**

(58) **Field of Classification Search**
USPC D32/55, 276, 3; D6/510, 525; D30/133;
211/41.5, 41.4, 41.3, 41.8; 361/679.4;
312/311, 333, 334.4; D7/354, 629
CPC .. A47L 15/505; A47L 15/503; A47L 15/0013;
A47L 19/02; A47L 19/04; A47J 47/20
See application file for complete search history.

(56) **References Cited**

U.S. PATENT DOCUMENTS

D532,570 S	*	11/2006	Vizcarra	D32/55
D568,019 S	*	4/2008	Joseph	D32/55
D582,120 S	*	12/2008	Snell	D32/55
D662,785 S	*	7/2012	Kern	D32/55
D692,199 S	*	10/2013	Huang	D32/55
D694,037 S	*	11/2013	Primeau	D6/514
D726,446 S	*	4/2015	Tollasepp	D6/553

D727,654 S	*	4/2015	Tollasepp	D6/553
D762,980 S	*	8/2016	Aller	D3/304
D765,334 S	*	8/2016	Donald	D32/55
D774,762 S	*	12/2016	Aller	D3/304
D775,464 S	*	1/2017	Aller	D3/304
D794,893 S	*	8/2017	Libman	D32/55

* cited by examiner

Primary Examiner — Austin Murphy

(74) *Attorney, Agent, or Firm* — Michael J. Striker;
Elizabeth C. Richter

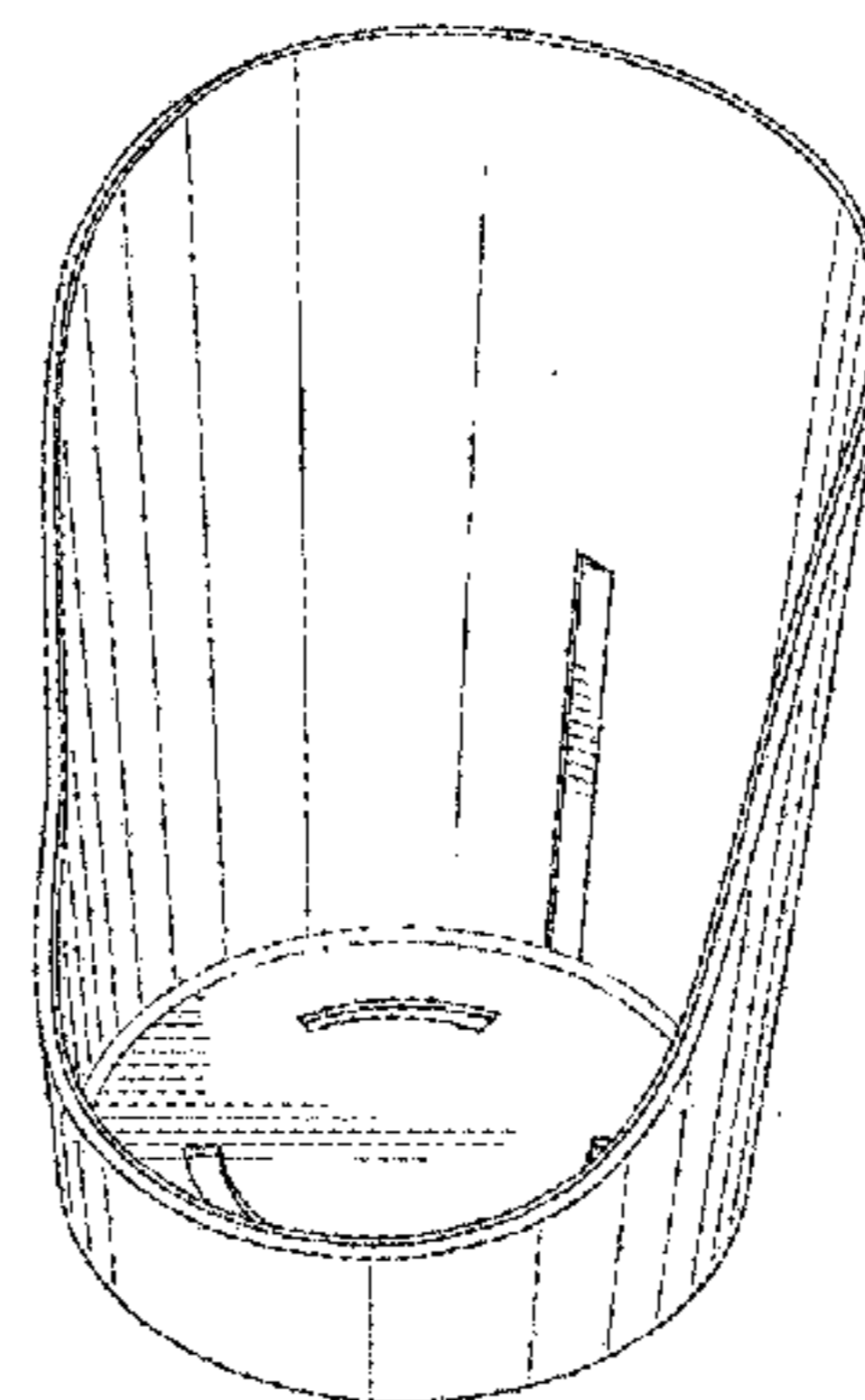
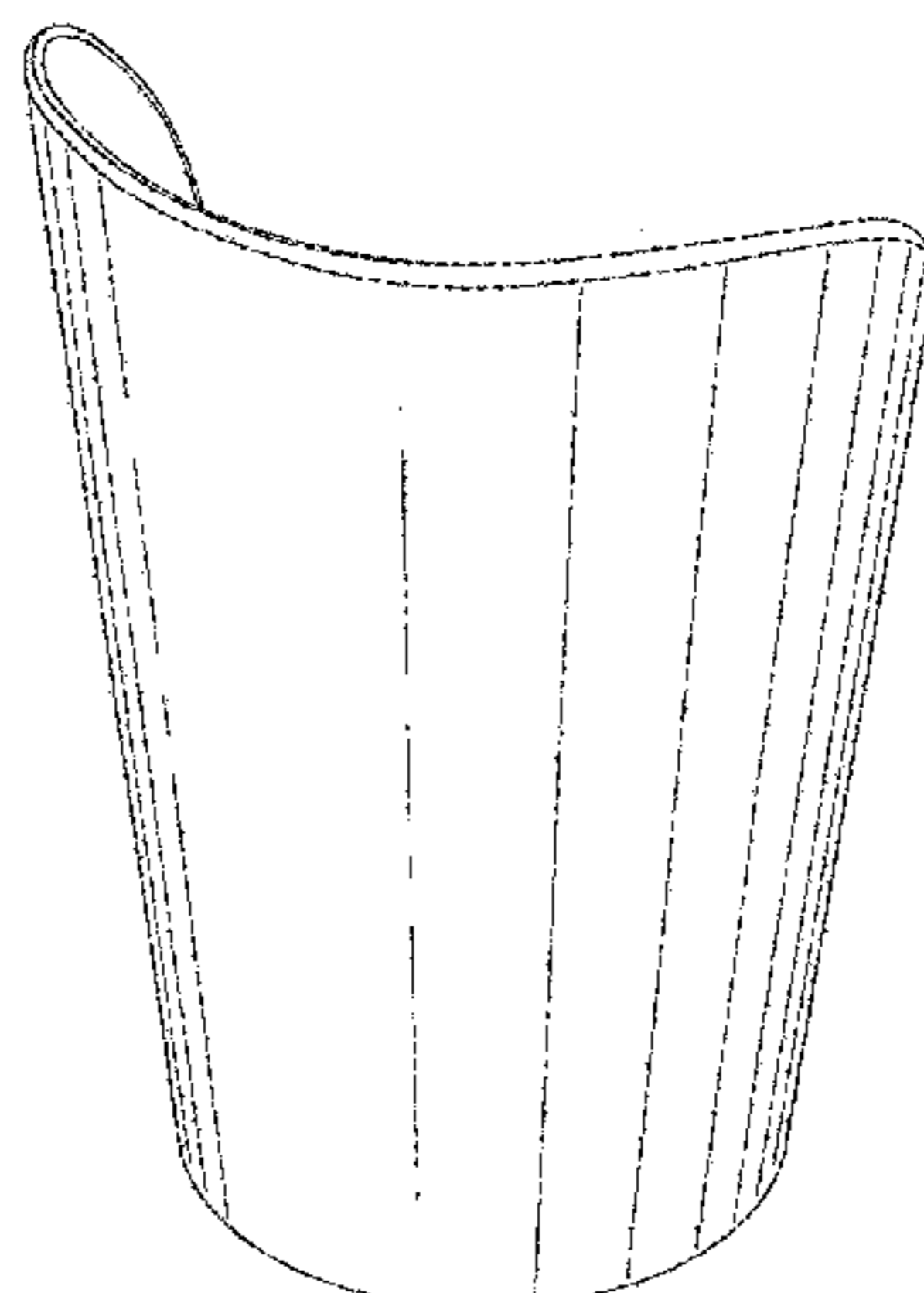
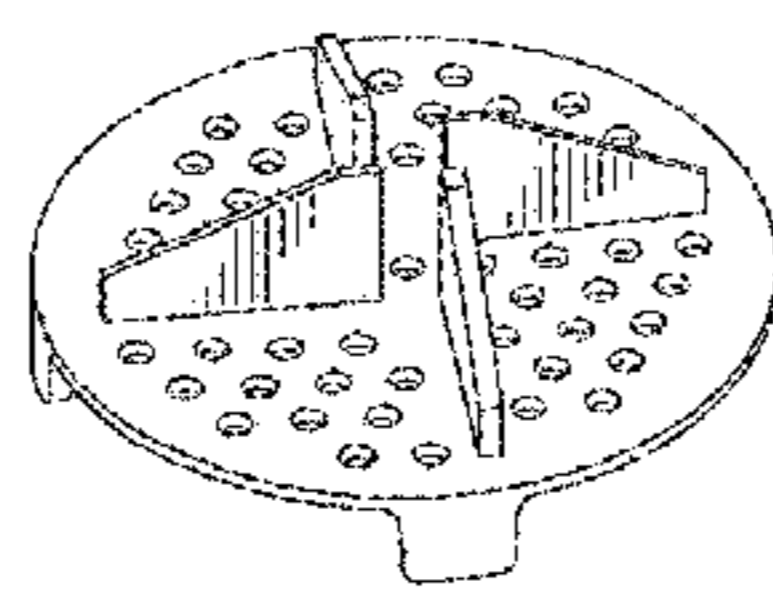
(57) **CLAIM**

The ornamental design for a utensil holder, as shown and described.

DESCRIPTION

FIG. 1 is an exploded ¾ perspective view of a utensil holder showing my new design;
FIG. 2 is a front elevational view thereof;
FIG. 3 is a rear elevational view thereof;
FIG. 4 is a left side elevational view thereof;
FIG. 5 is a right side elevational view thereof;
FIG. 6 is a top plan view thereof;
FIG. 7 is a bottom plan view thereof;
FIG. 8 is a ¾ perspective view of a second embodiment of a utensil holder showing my new design;
FIG. 9 is a front elevational view thereof;
FIG. 10 is a rear elevational view thereof;
FIG. 11 is a left side elevational view thereof which is a mirror image of the opposite side thereof;
FIG. 12 is a top plan view thereof; and,
FIG. 13 is a bottom plan view thereof.

1 Claim, 13 Drawing Sheets



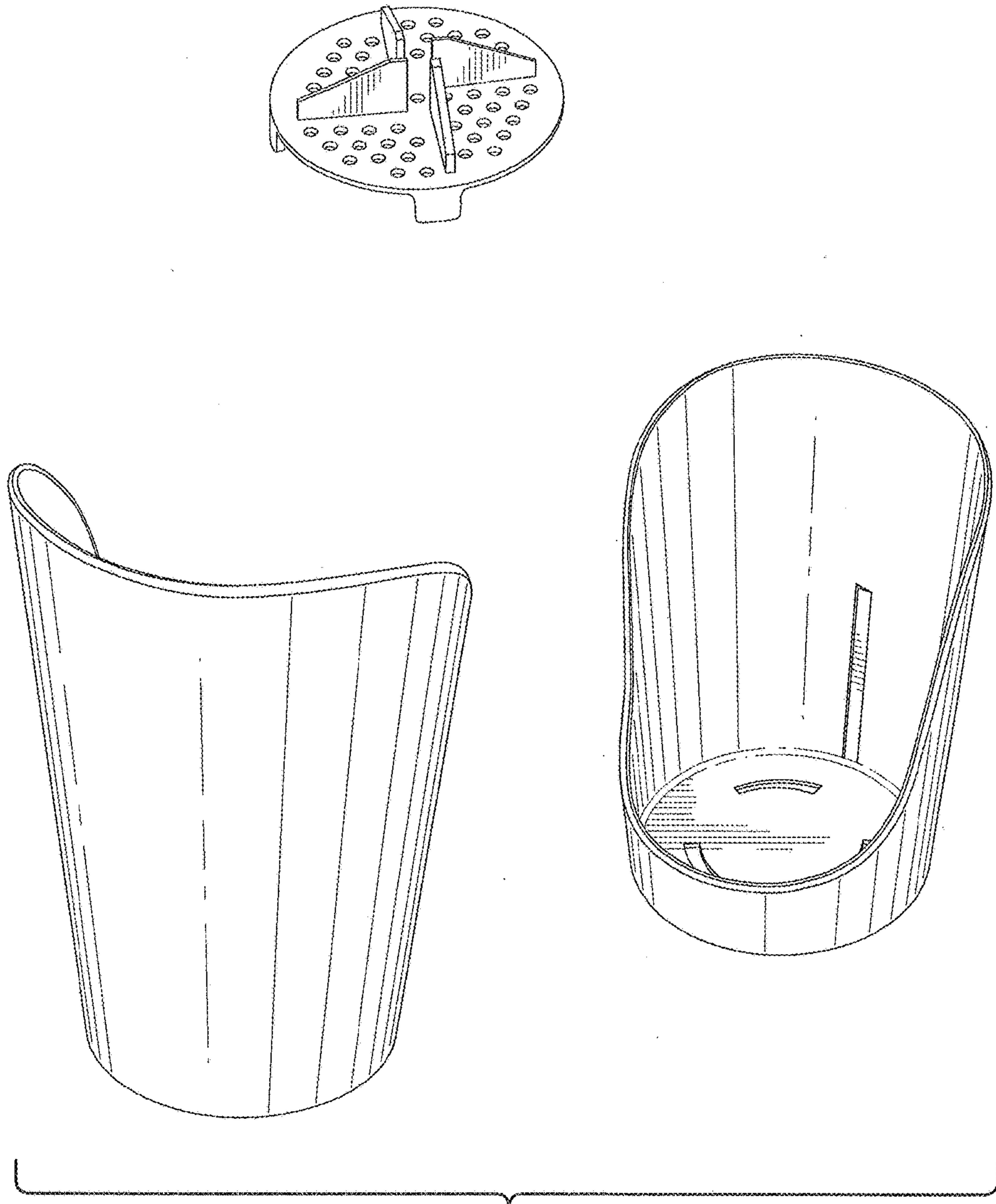


FIG. 1

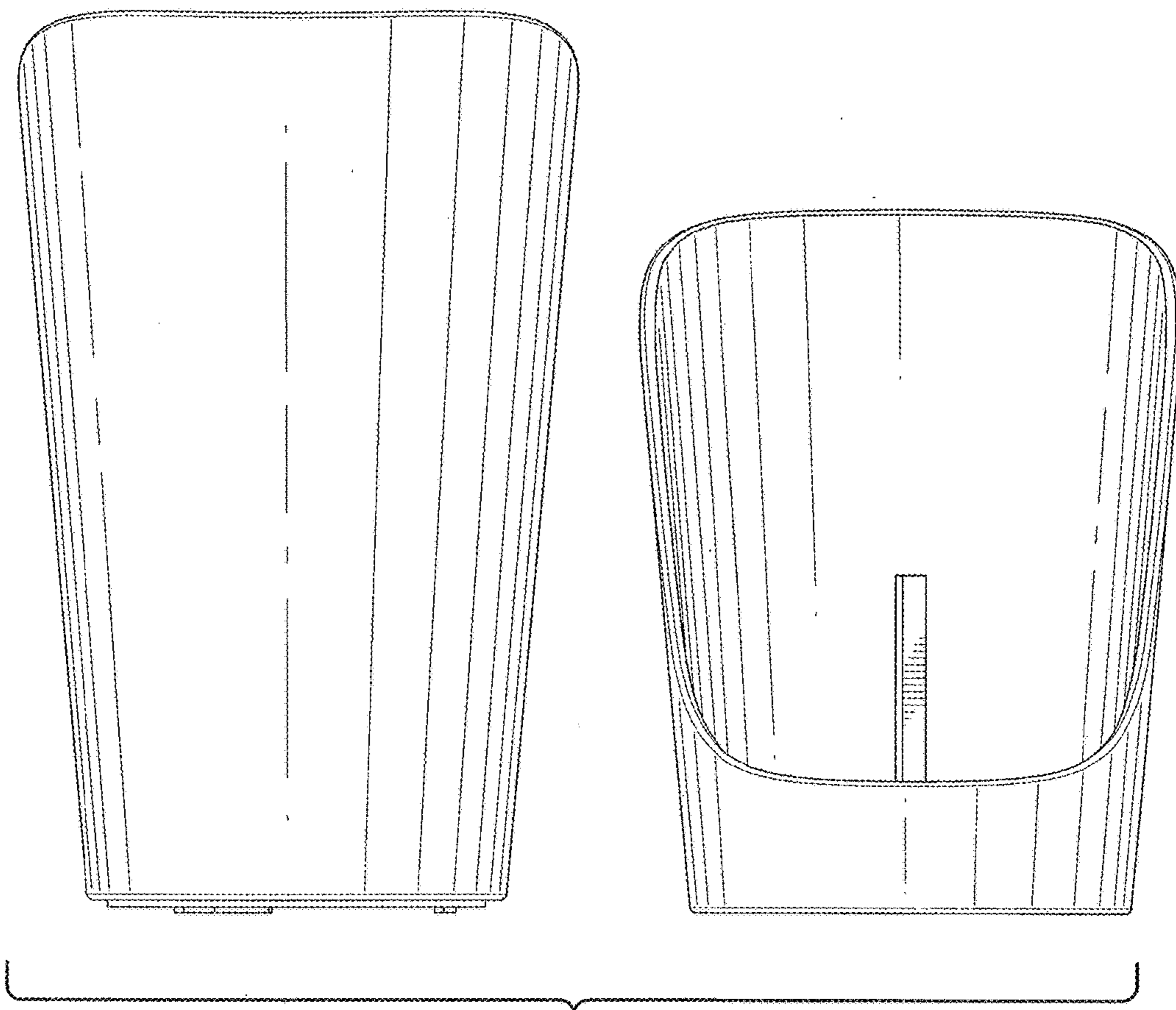
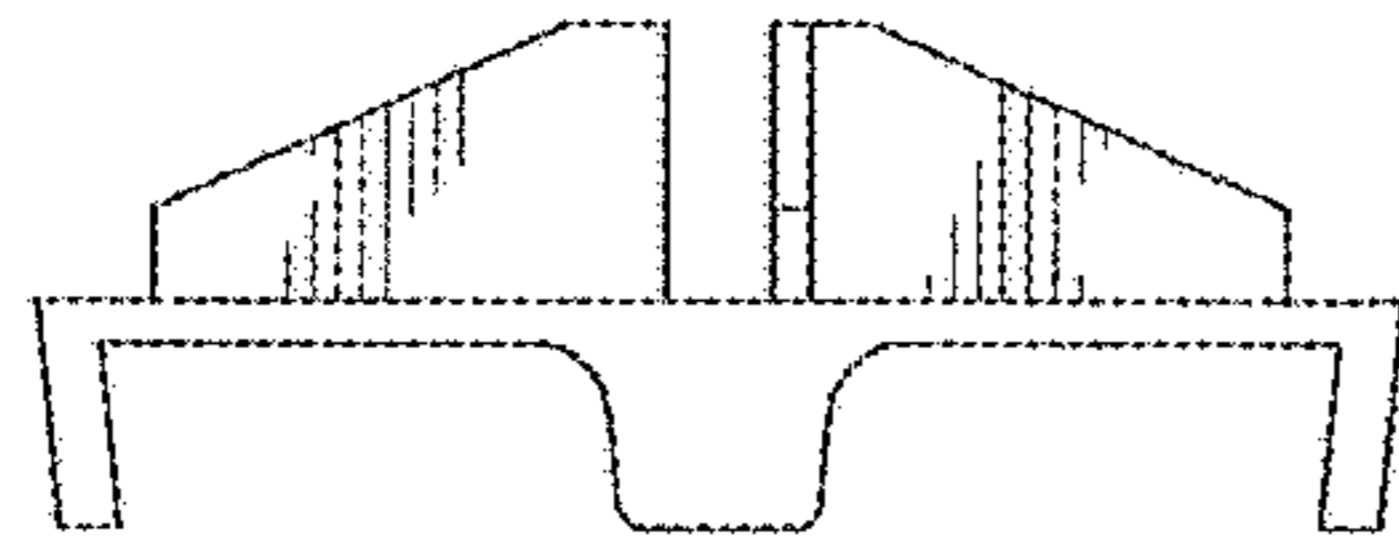


FIG. 2

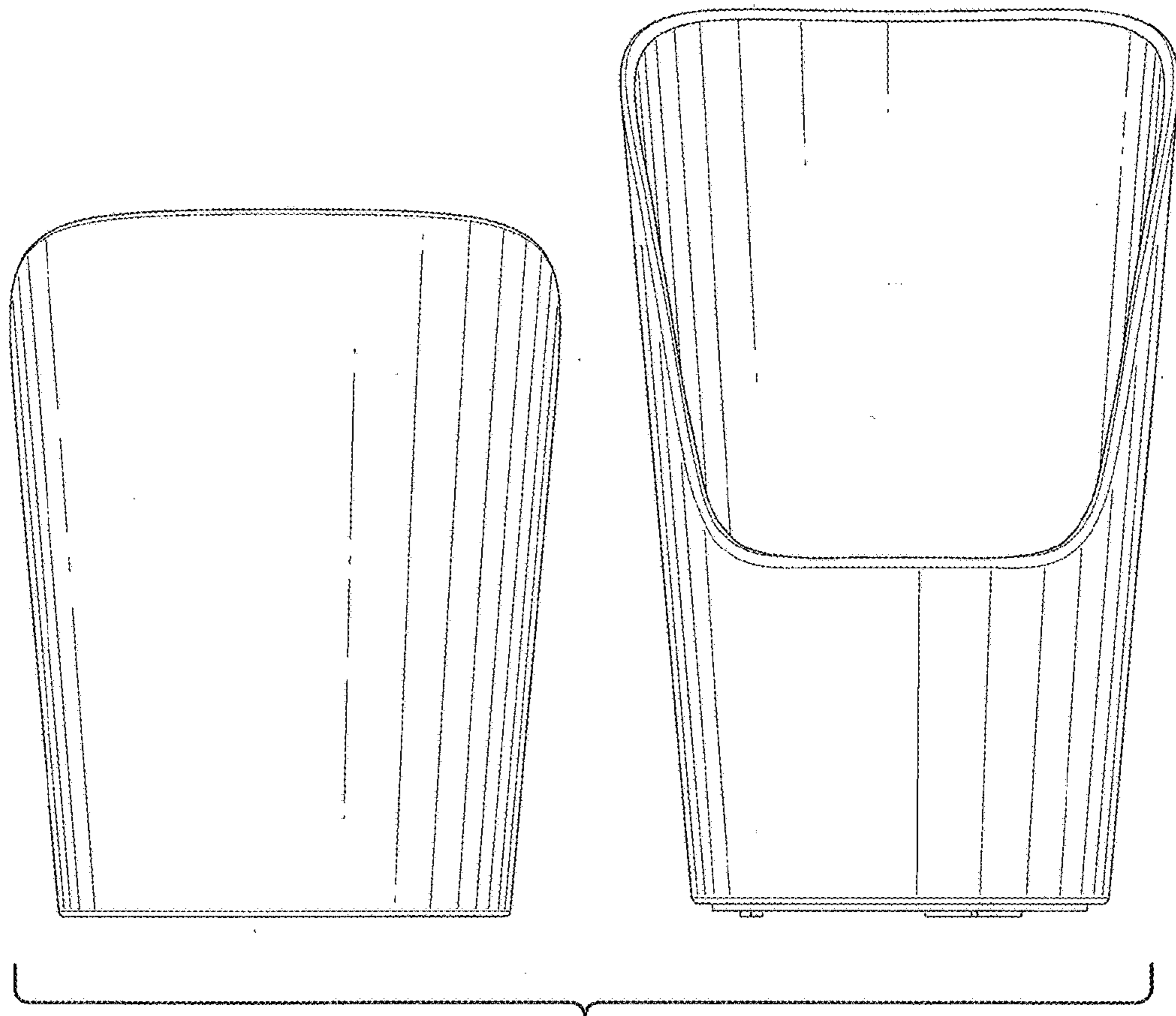
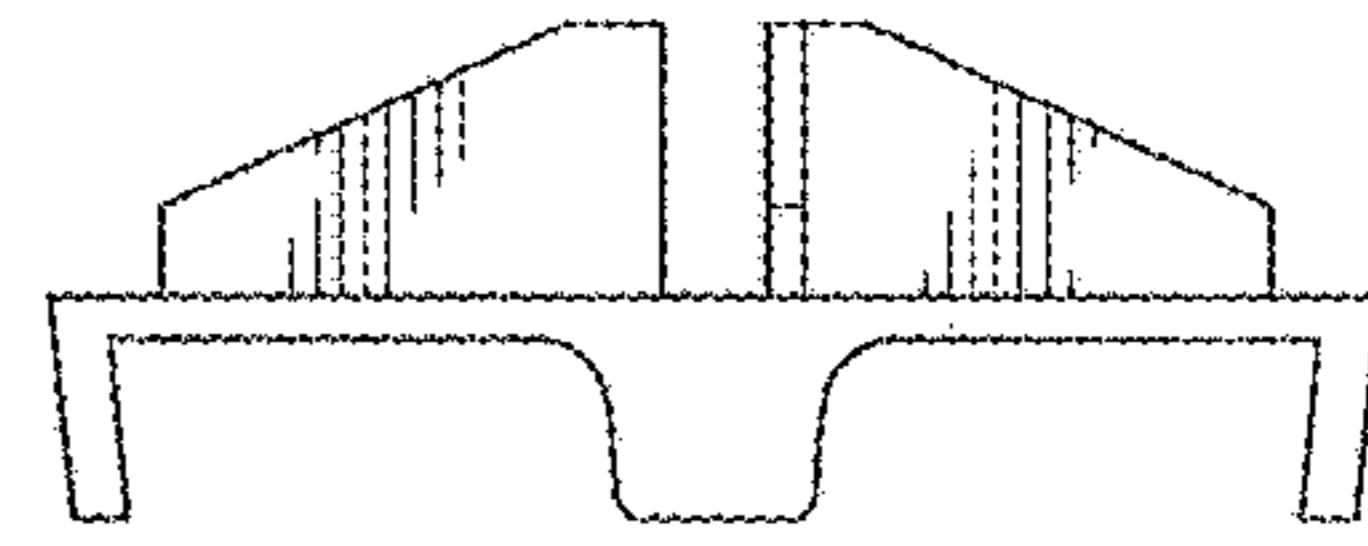


FIG.3

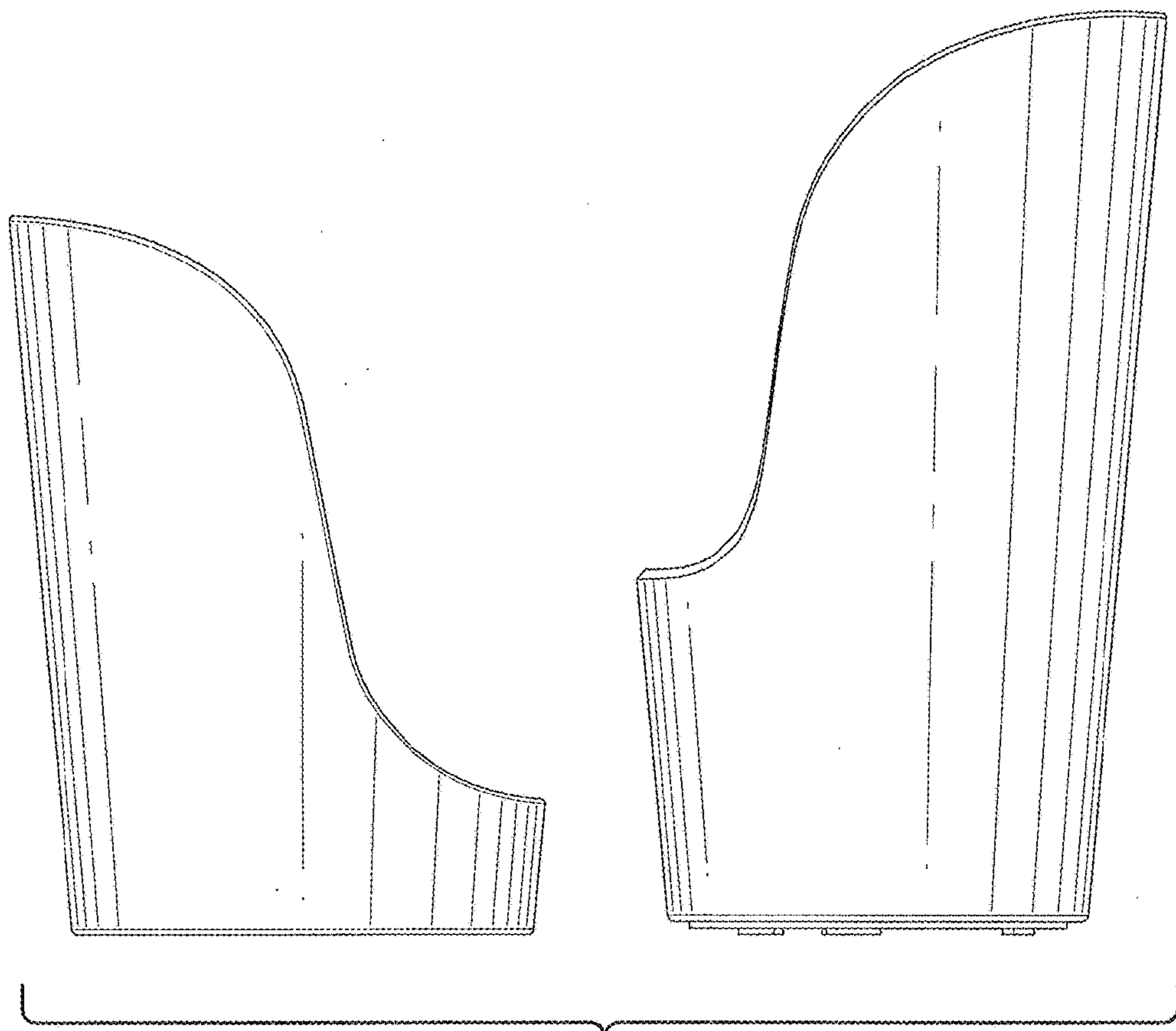
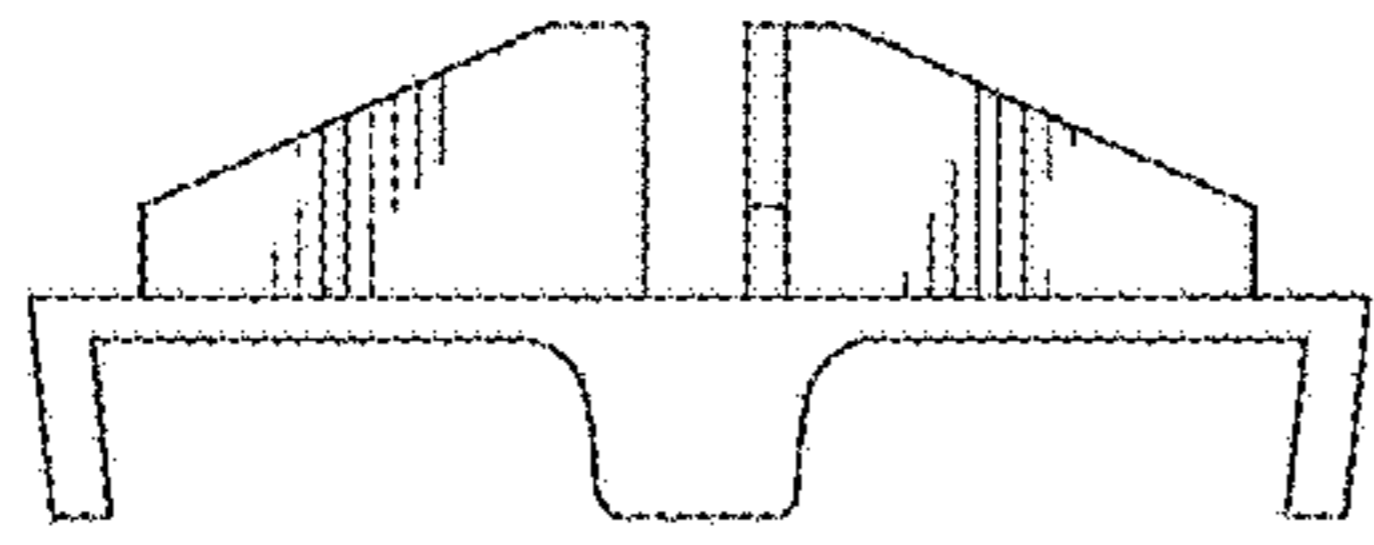


FIG.4

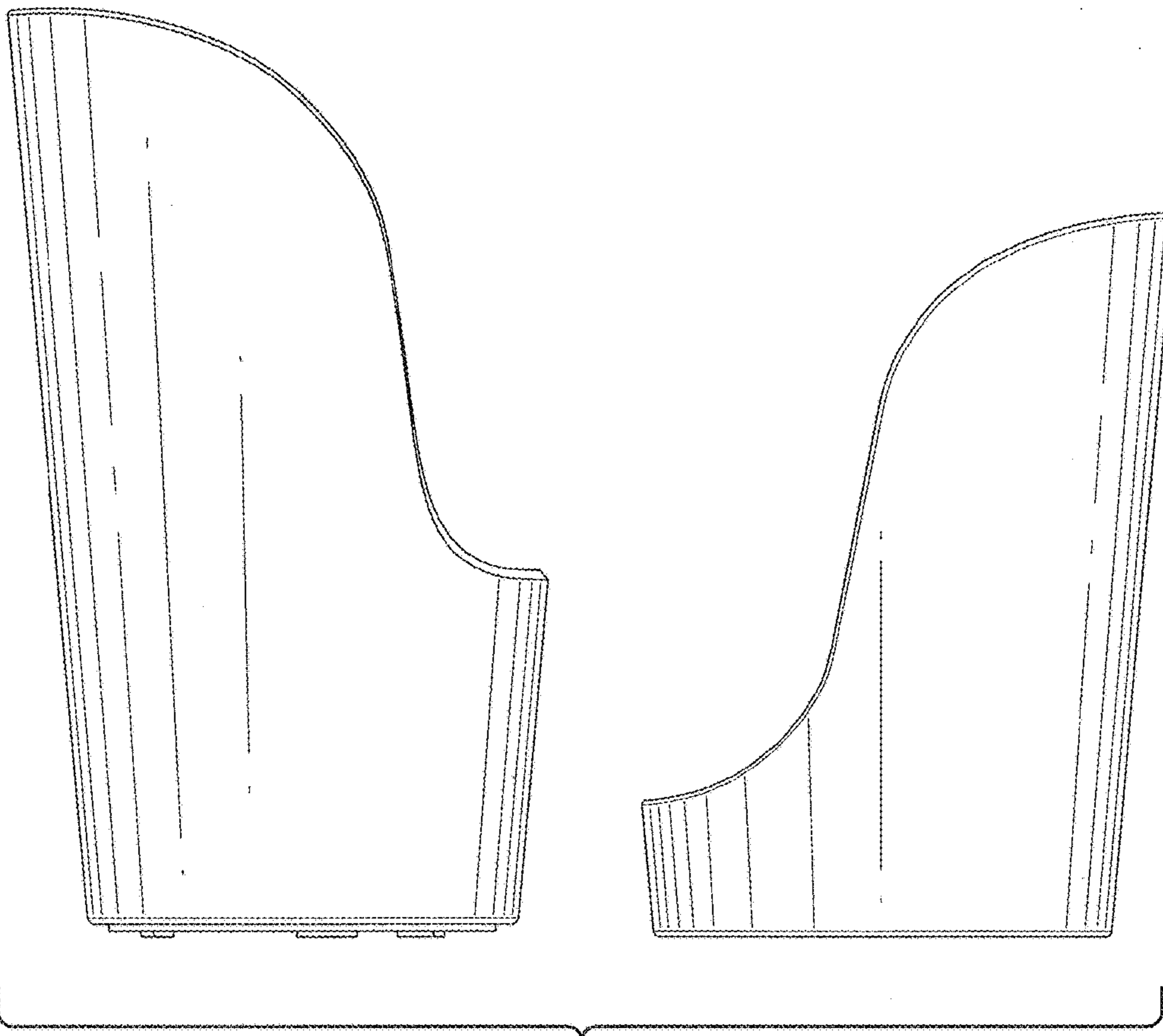
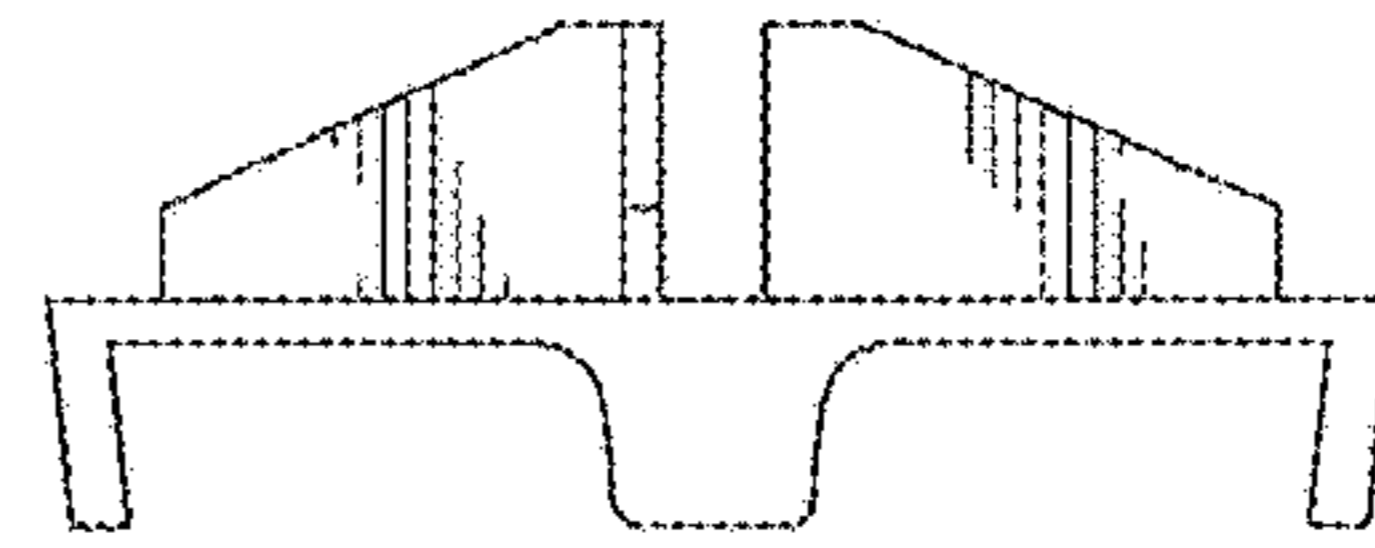


FIG.5

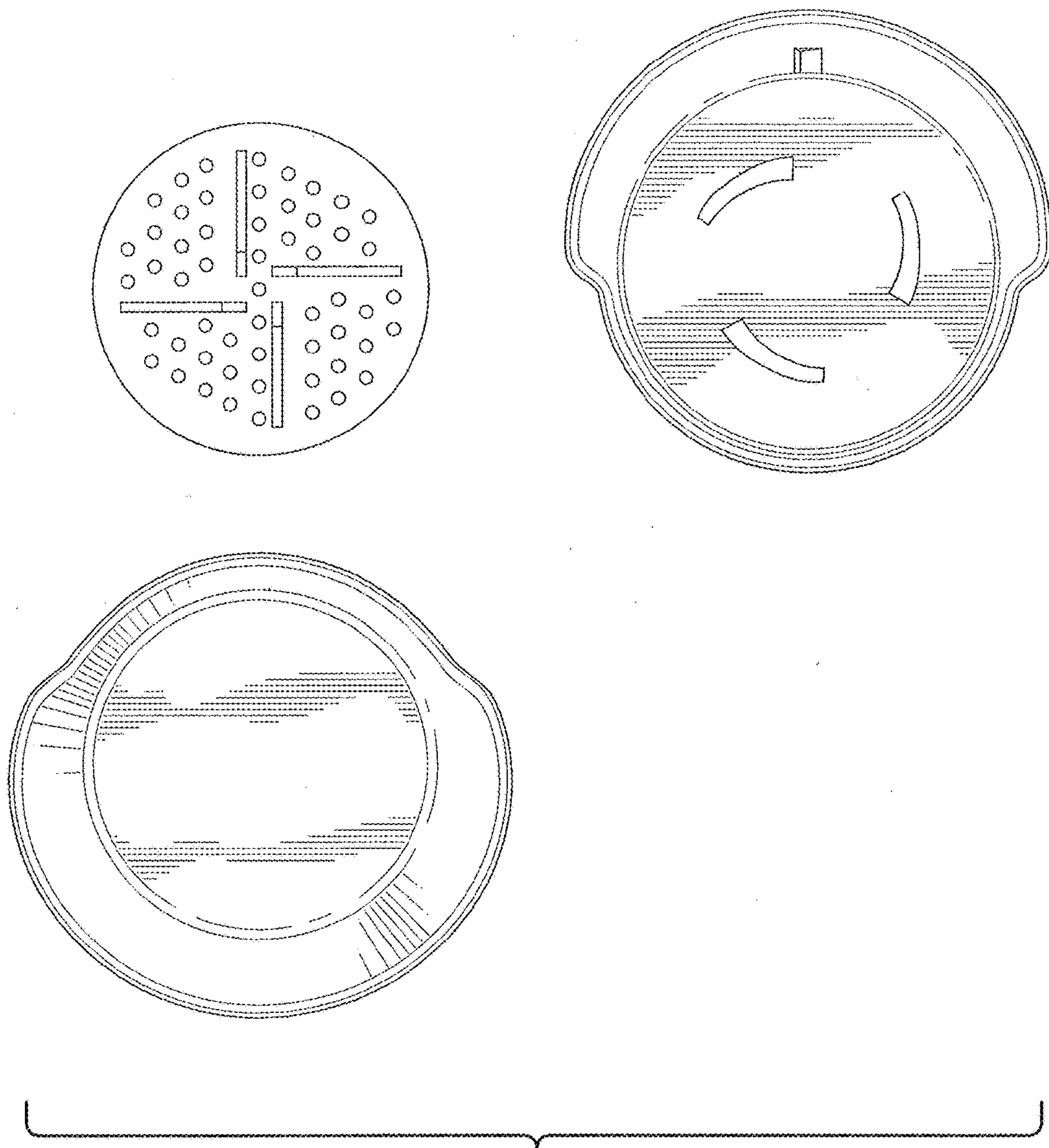


FIG. 6

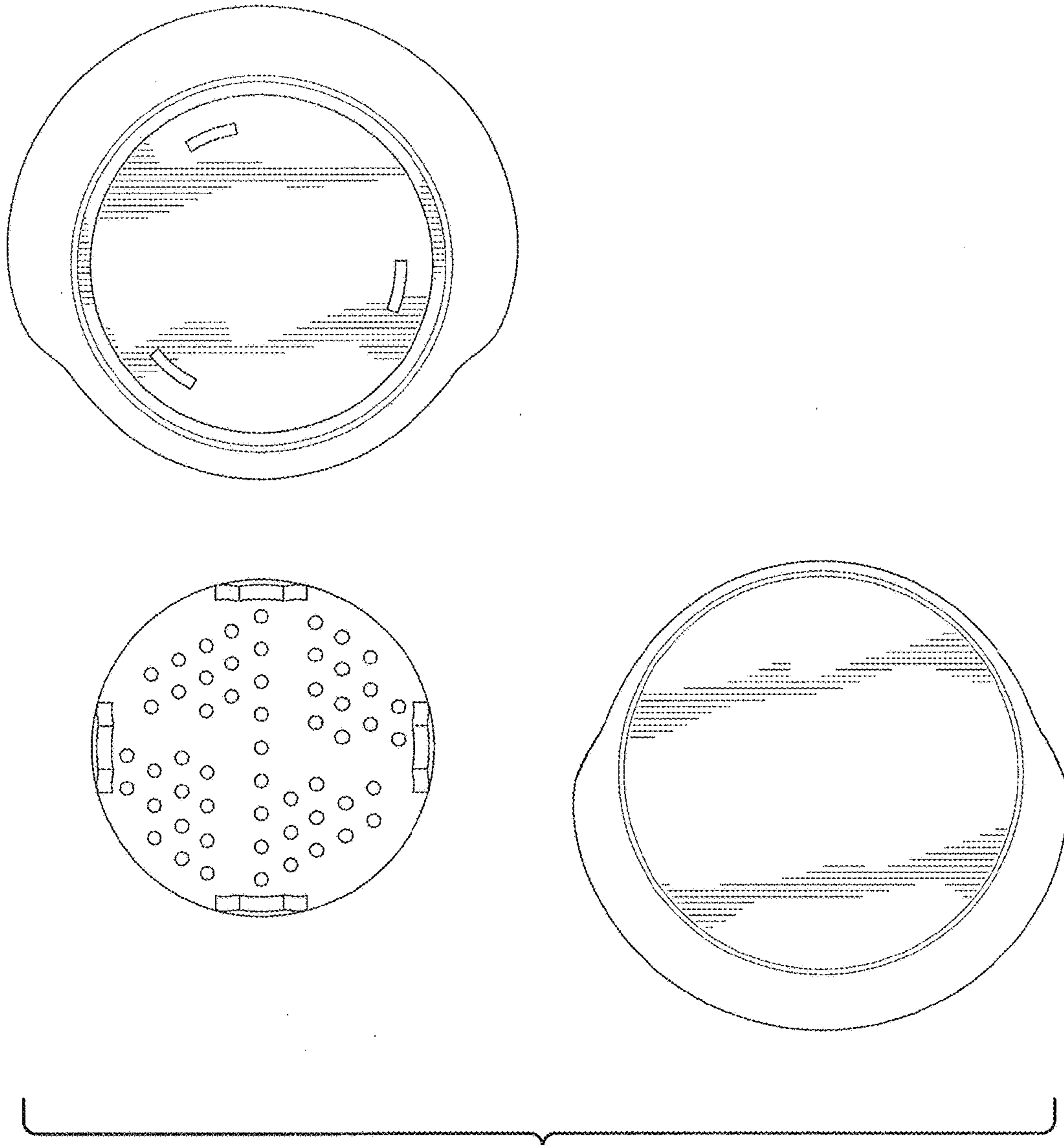


FIG. 7

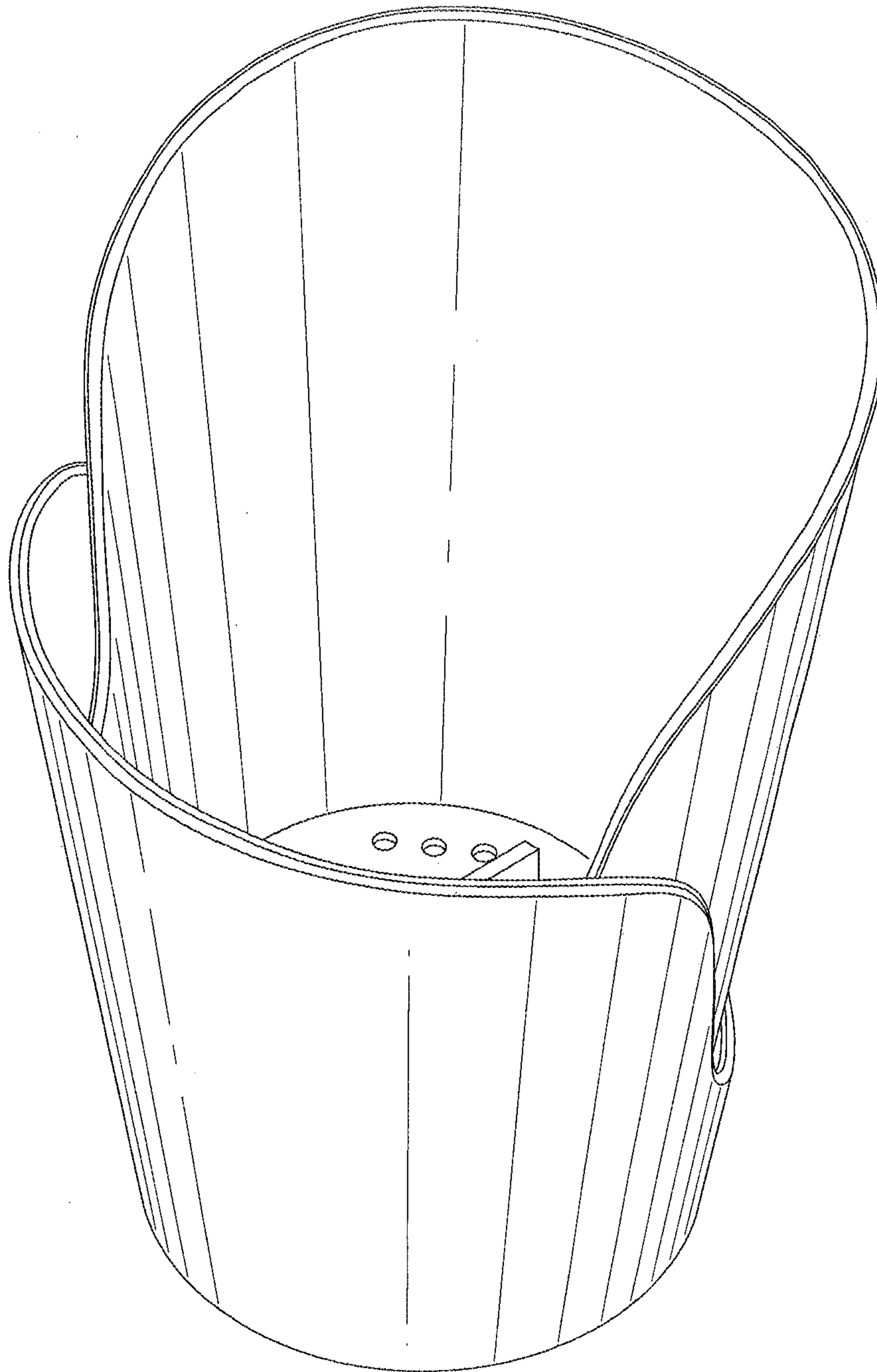


FIG. 8

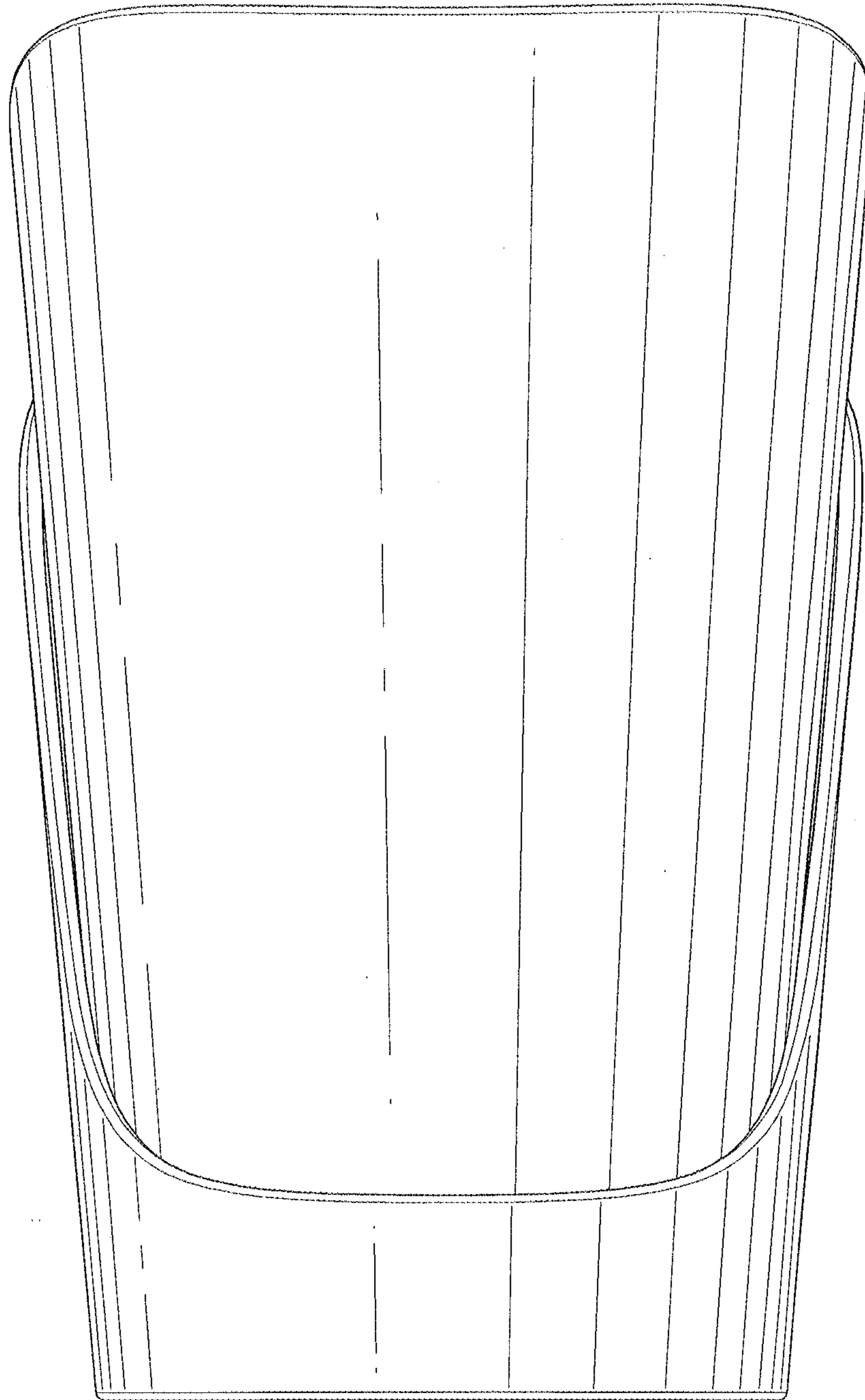


FIG. 9

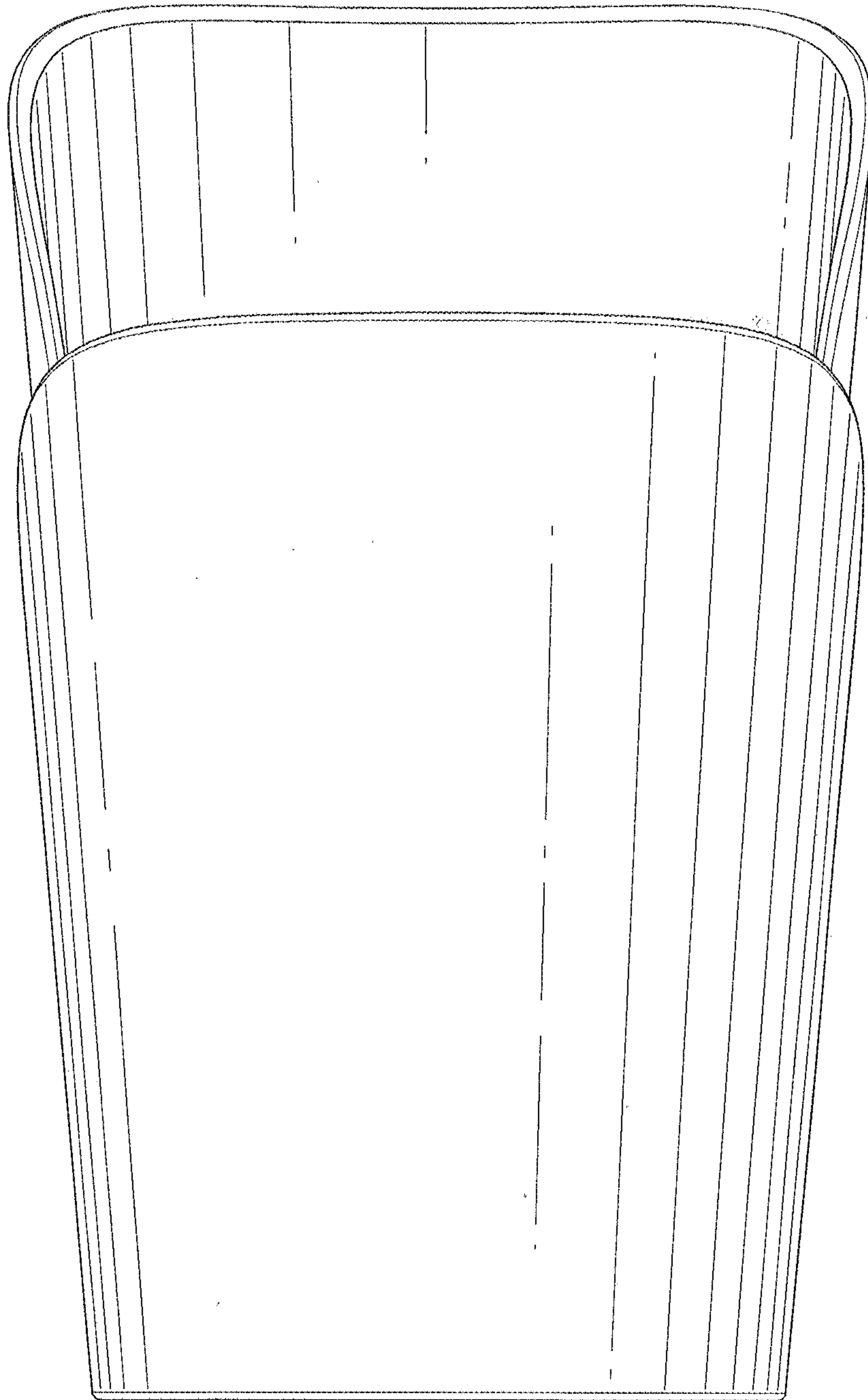


FIG. 10

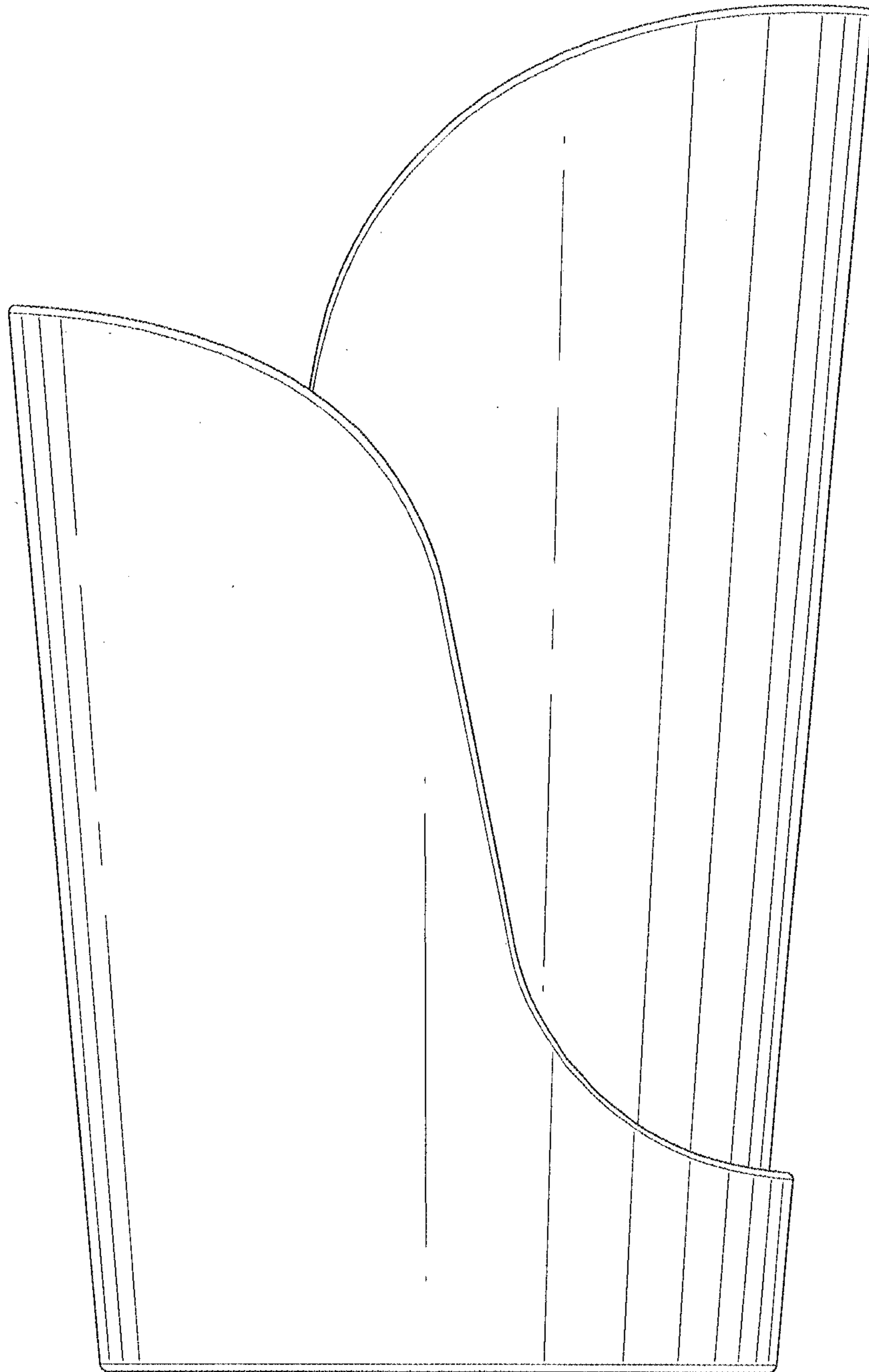


FIG. 11

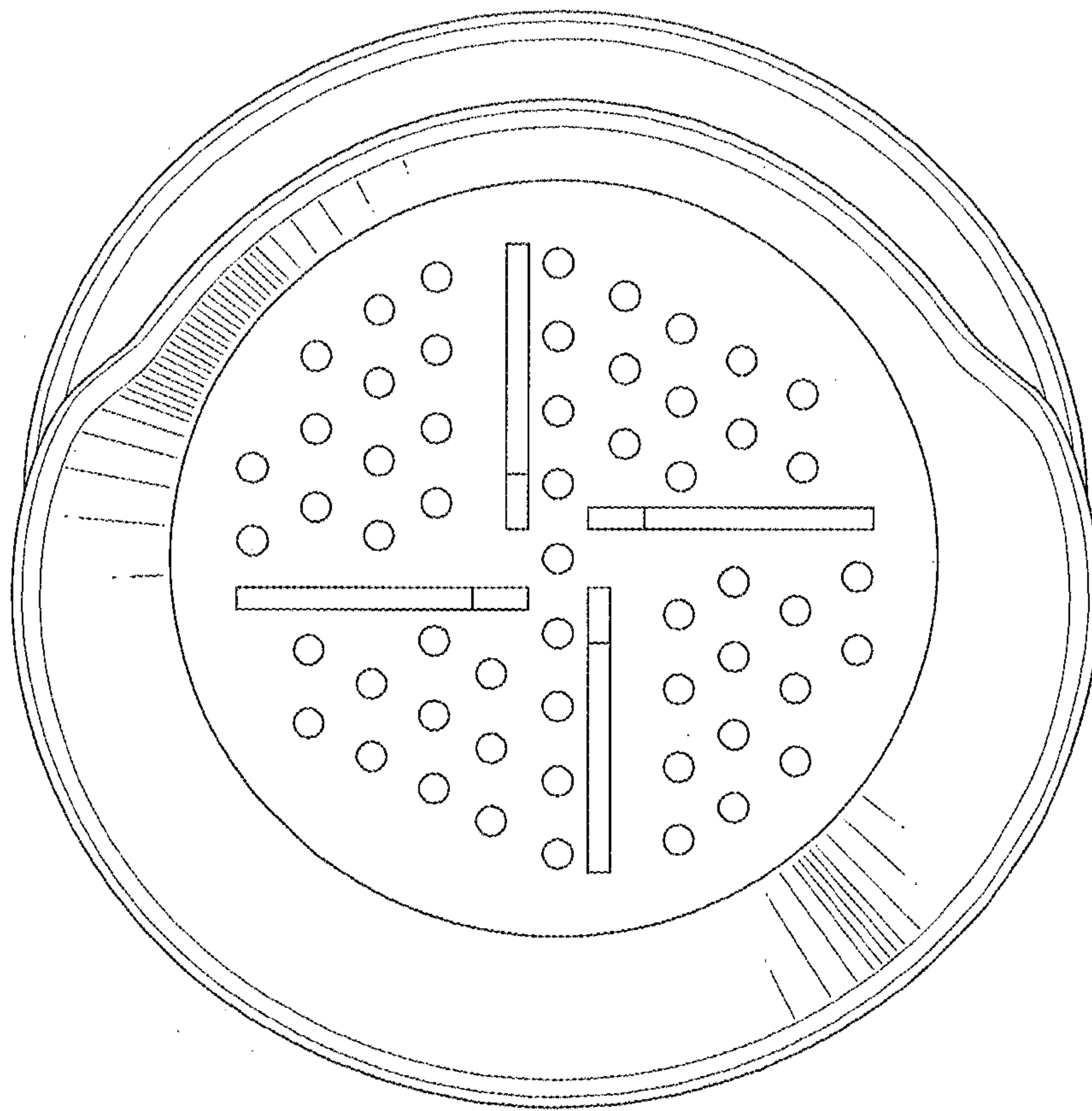


FIG. 12

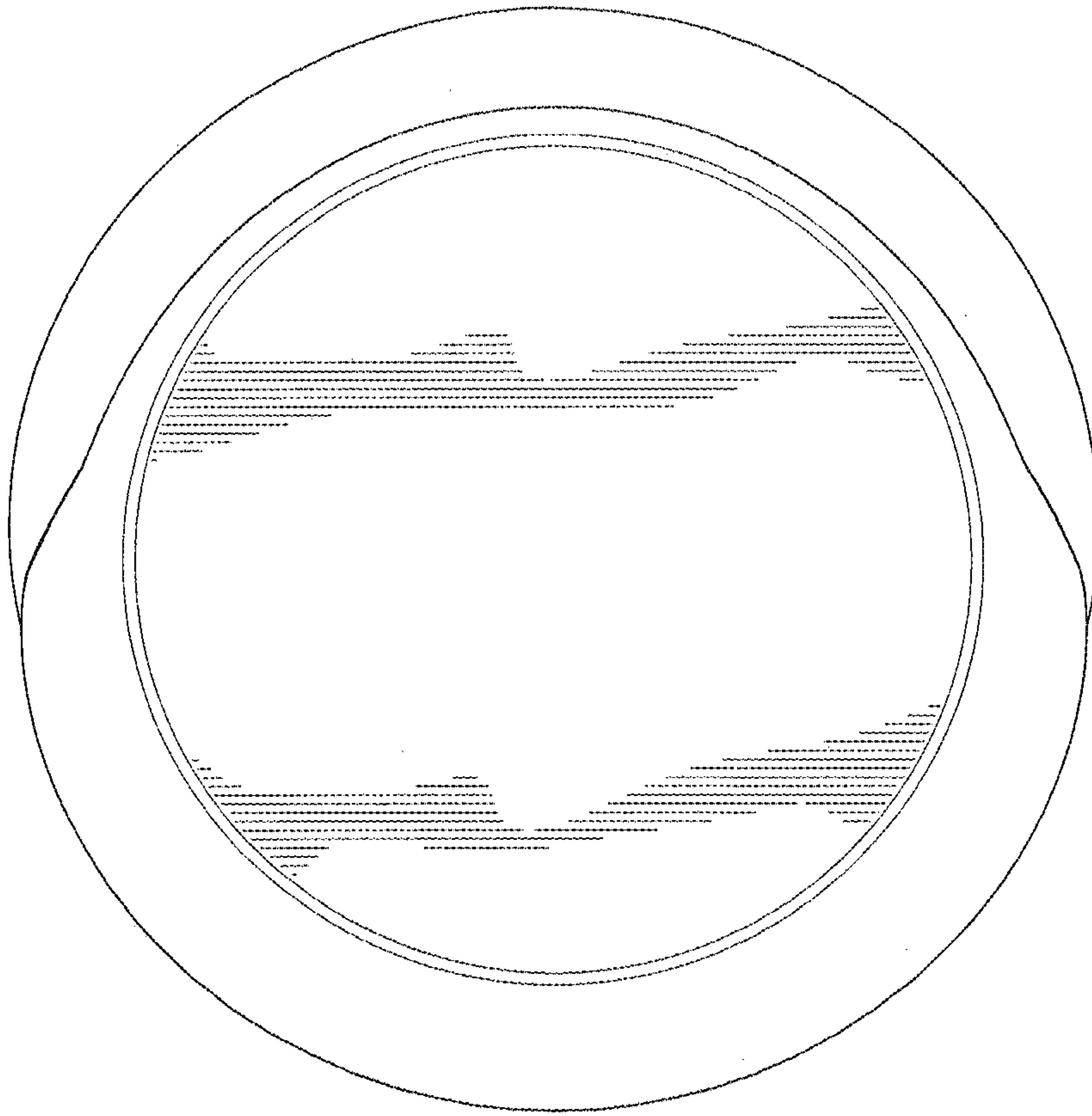


FIG. 13