



US00D816933S

(12) **United States Design Patent**  
**Klipshtein**

(10) **Patent No.:** **US D816,933 S**

(45) **Date of Patent:** **\*\* May 1, 2018**

(54) **CUTLERY DRAINER**

(71) Applicant: **HUTZLER MANUFACTURING CO., INC.**, Canaan, CT (US)

(72) Inventor: **Guy Klipshtein**, Givatayim (IL)

(73) Assignee: **Hutzler Manufacturing Co., Inc.**, Canaan, CT (US)

(\*\*) Term: **15 Years**

(21) Appl. No.: **29/596,090**

(22) Filed: **Mar. 6, 2017**

(51) **LOC (11) Cl.** ..... **07-05**

(52) **U.S. Cl.**  
USPC ..... **D32/55**

(58) **Field of Classification Search**  
USPC ..... D32/55, 276, 3; D6/510, 525; D30/133;  
211/41.5, 41.4, 41.3, 41.8; 361/679.4;  
312/311, 333, 334.4; D7/354, 629  
CPC .. A47L 15/505; A47L 15/503; A47L 15/0013;  
A47L 19/02; A47L 19/04; A47J 47/20  
See application file for complete search history.

(56) **References Cited**

**U.S. PATENT DOCUMENTS**

D324,902 S	*	3/1992	Kohler, Jr.	.....	D23/271
D331,477 S	*	12/1992	Michael	.....	D3/309
D363,576 S	*	10/1995	Brightbill	.....	D11/156
D566,919 S	*	4/2008	Snell	.....	D32/55

D582,120 S	*	12/2008	Snell	.....	D32/55
D642,841 S	*	8/2011	Dretzka	.....	D6/553
D697,309 S	*	1/2014	Baldwin	.....	D3/304
D699,012 S	*	2/2014	Ziemann	.....	D32/55
D699,972 S	*	2/2014	Lee	.....	D6/553
D714,508 S	*	9/2014	Joy	.....	D32/55
D730,078 S	*	5/2015	Kolano	.....	D6/553
D731,728 S	*	6/2015	Evans	.....	D32/55
D750,337 S	*	2/2016	Duvigneau	.....	D32/55
D762,934 S	*	8/2016	Evans	.....	D32/55
D794,893 S	*	8/2017	Libman	.....	D32/55

\* cited by examiner

*Primary Examiner* — Austin Murphy

(74) *Attorney, Agent, or Firm* — Michael J. Striker;  
Elizabeth C. Richter

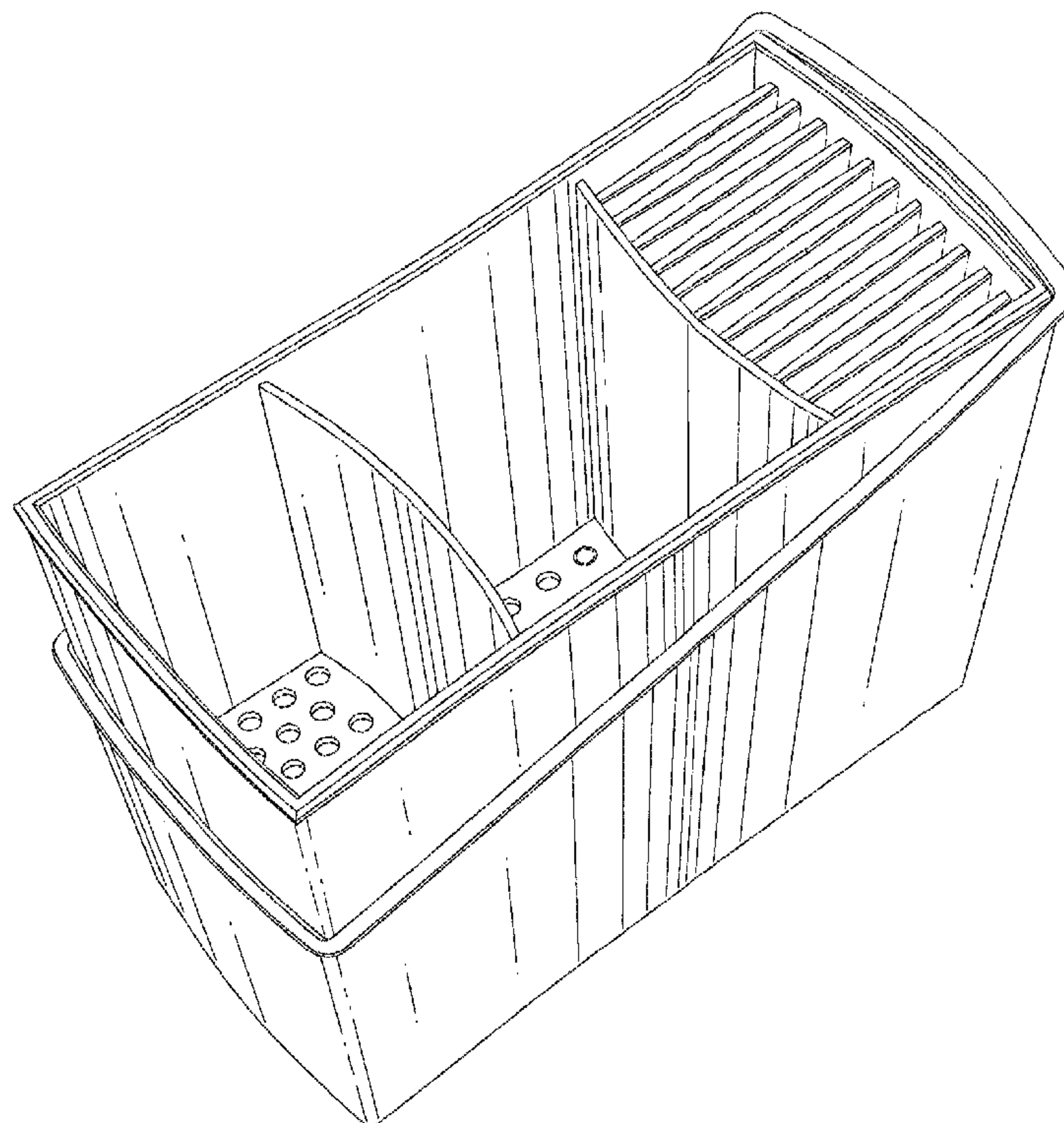
(57) **CLAIM**

The ornamental design for a cutlery drainer, as shown and described.

**DESCRIPTION**

FIG. 1 is a ¾ perspective view of a cutlery drainer showing my new design;  
FIG. 2 is a front elevational view thereof which is a mirror image of the opposite side thereof;  
FIG. 3 is a left side elevational view thereof;  
FIG. 4 is a right side elevational view thereof;  
FIG. 5 is a top plan view thereof; and,  
FIG. 6 is a bottom plan view thereof.

**1 Claim, 6 Drawing Sheets**



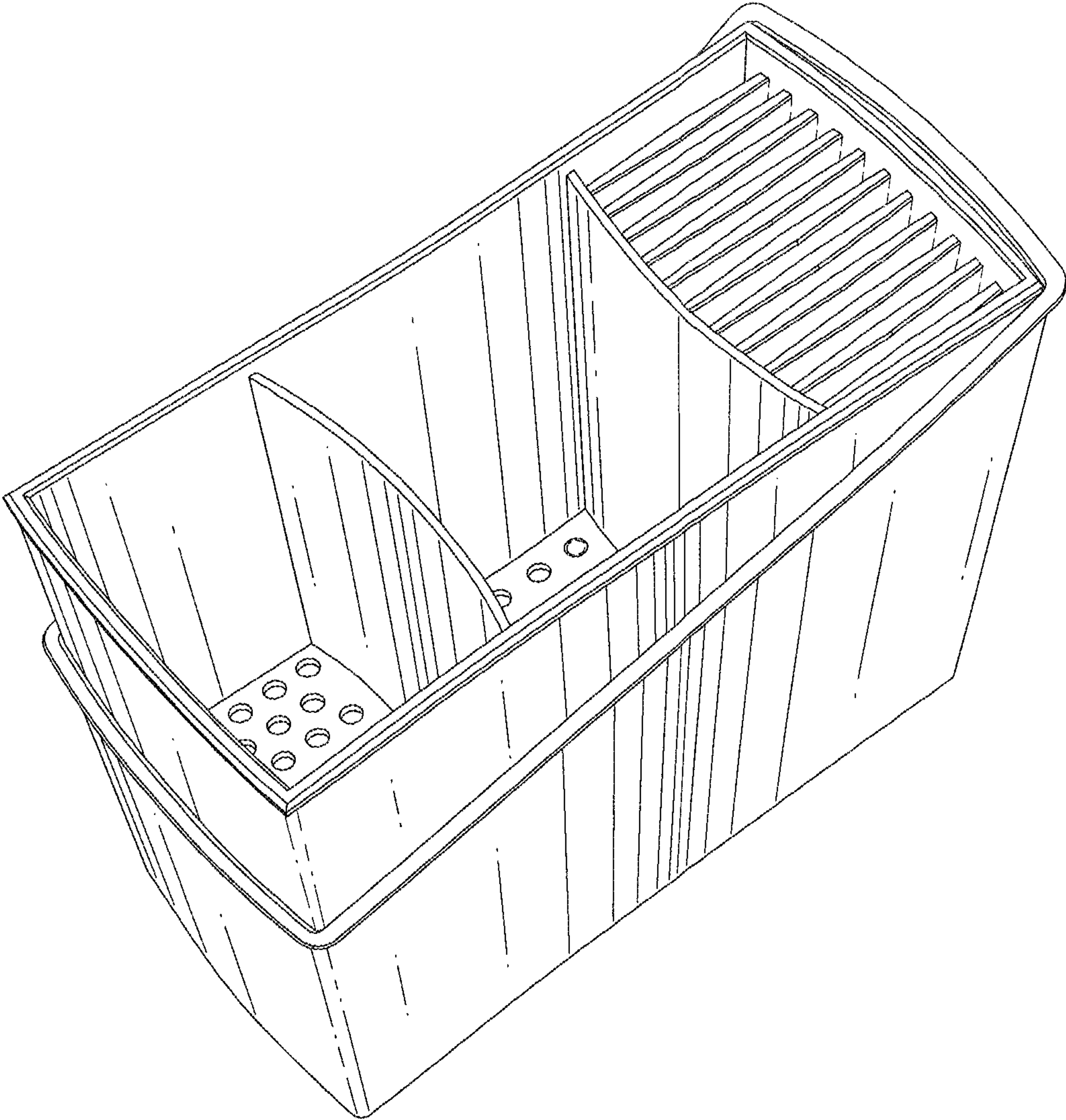


FIG. 1

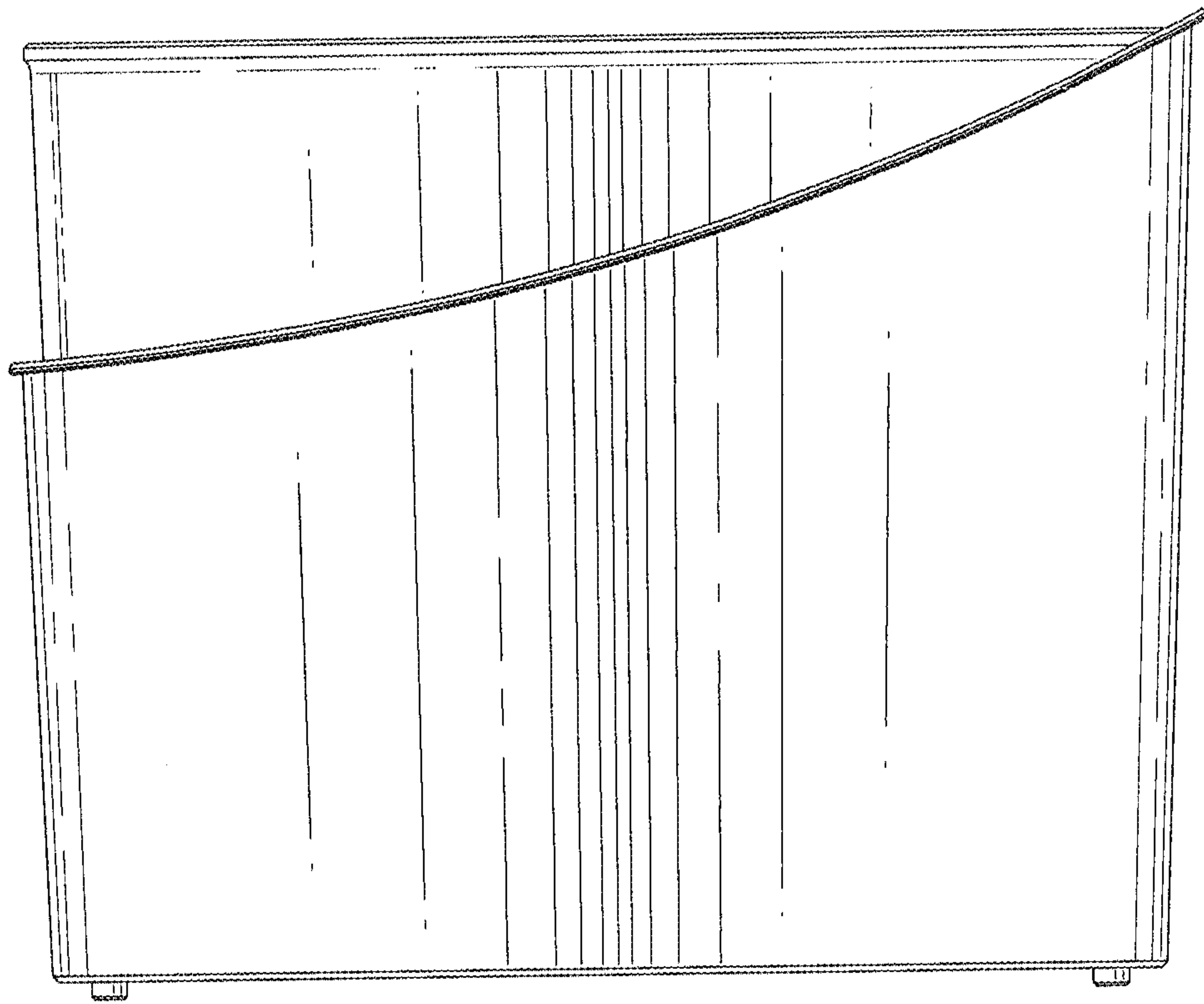


FIG. 2

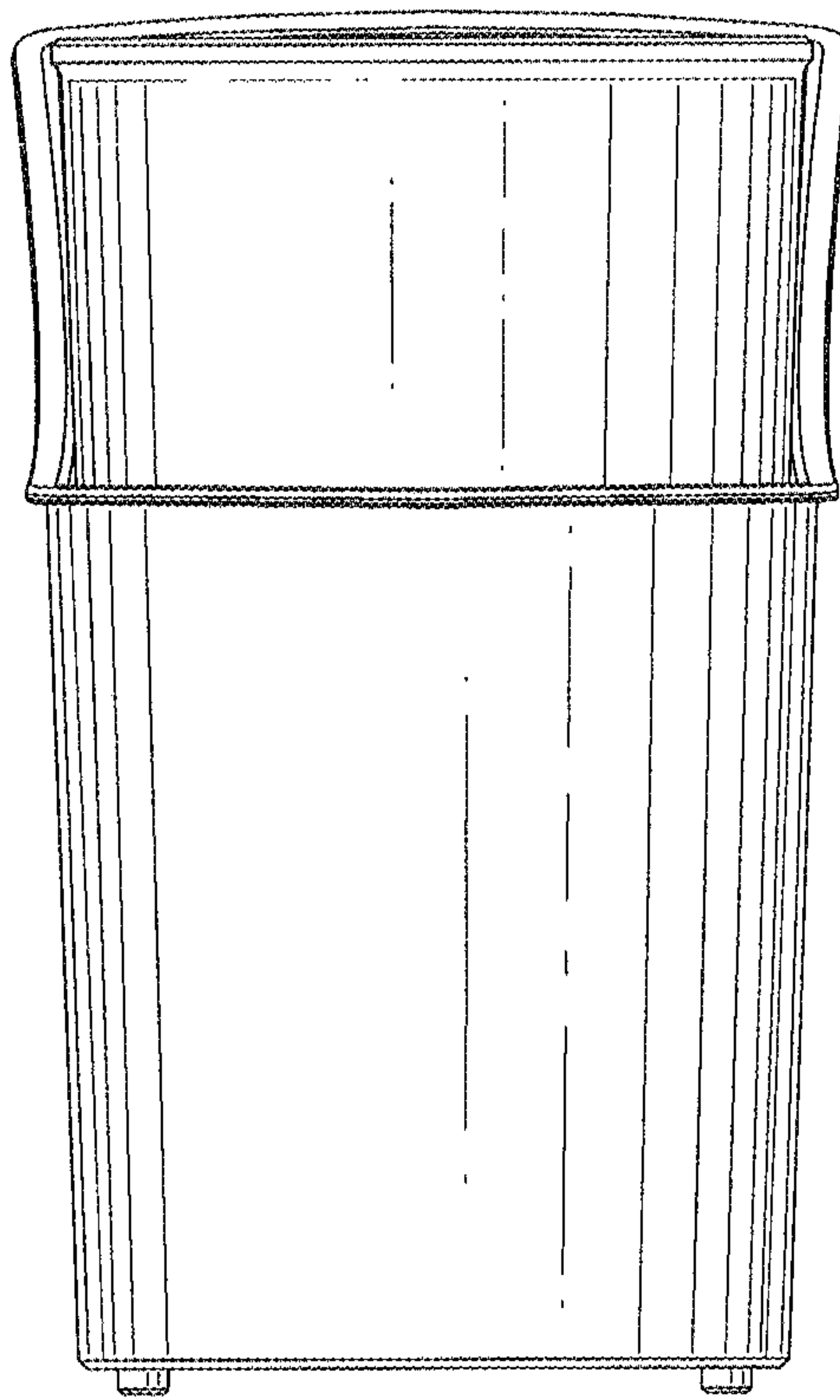


FIG. 3

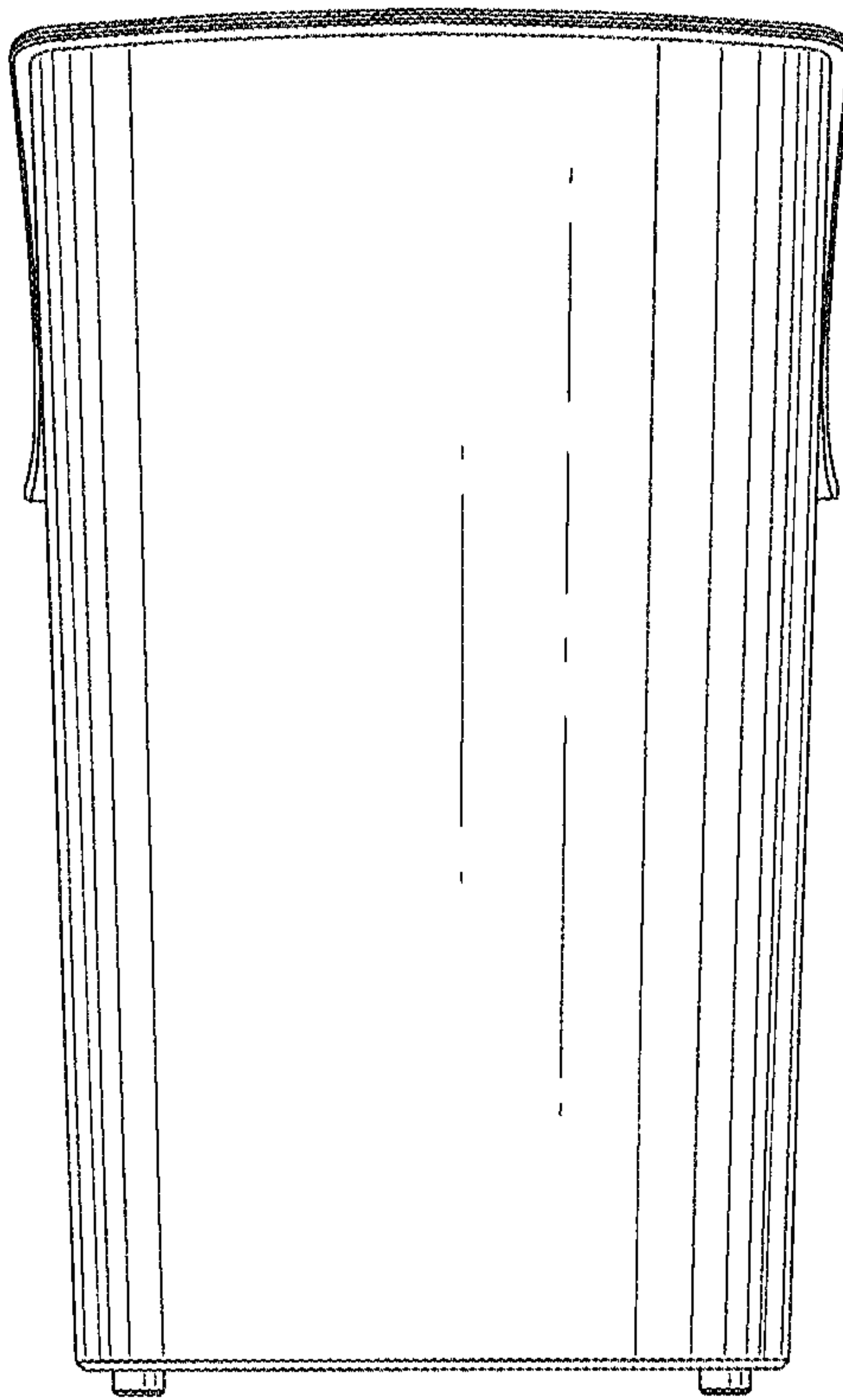


FIG.4



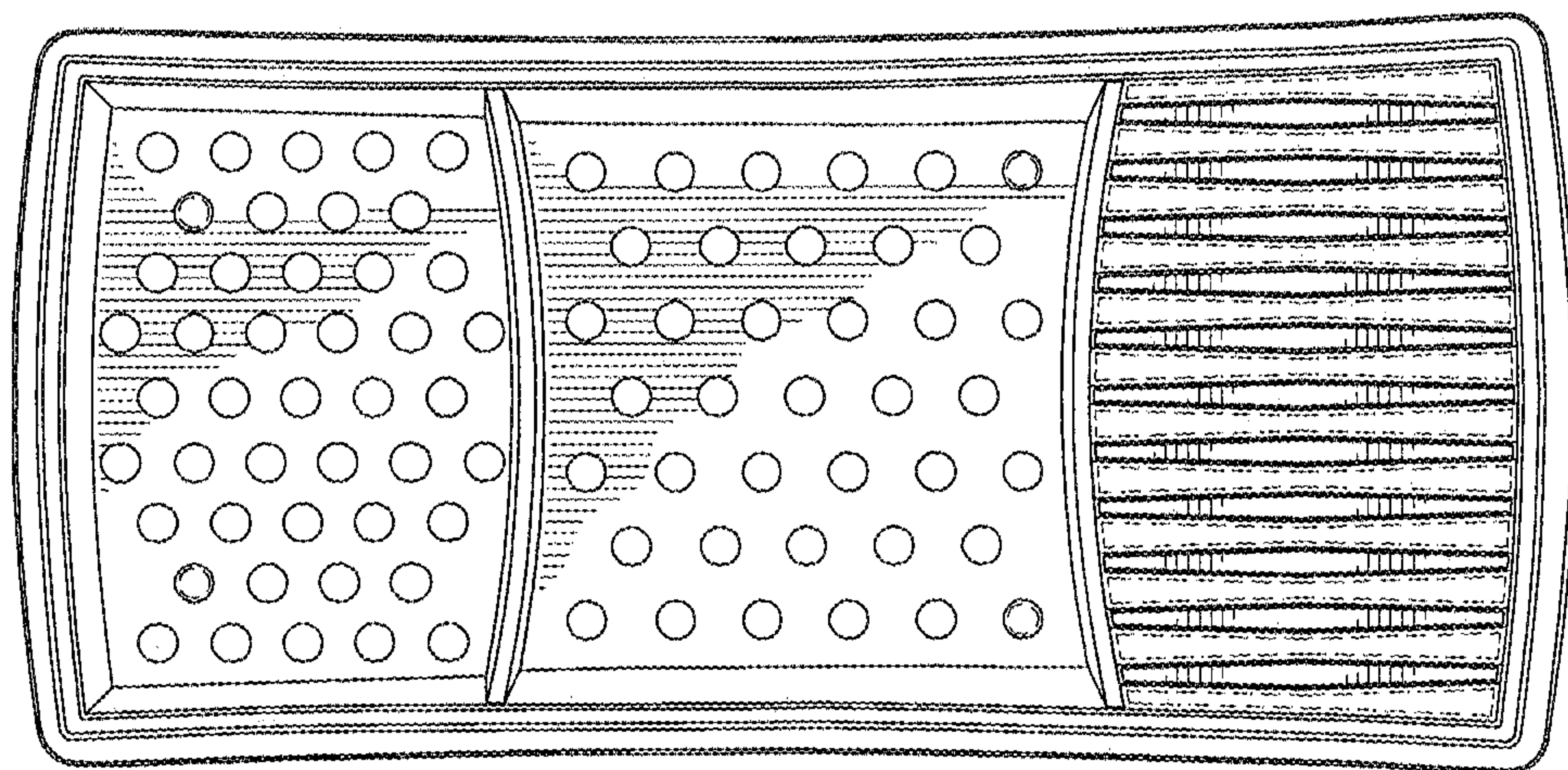


FIG.5

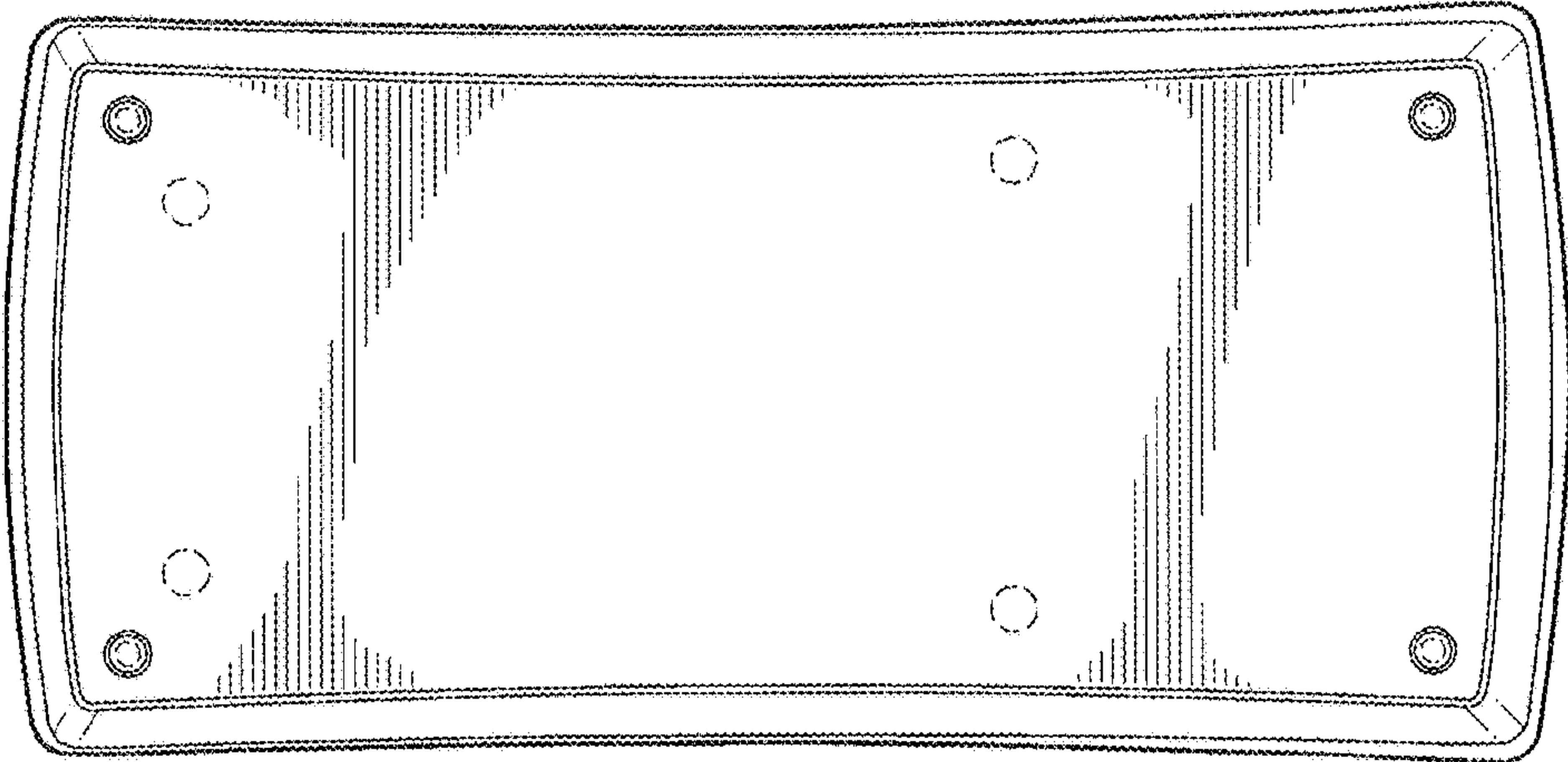


FIG.6