



US00D816932S

(12) **United States Design Patent** (10) **Patent No.:** **US D816,932 S**  
**Eilmus et al.** (45) **Date of Patent:** **\*\* May 1, 2018**

(54) **SINK ACCESSORY**

FOREIGN PATENT DOCUMENTS

(71) Applicant: **Kohler Co.**, Kohler, WI (US)

CN 2011/92293 2/2009  
GB 2493937 2/2013

(72) Inventors: **Niels J. Eilmus**, Sheboygan, WI (US);  
**Christopher J. Santos**, Sheboygan Falls, WI (US)

OTHER PUBLICATIONS

(73) Assignee: **KOHLER CO.**, Kohler, WI (US)

Amazon.com, kohler multi-purpose over-the sink drying rack, caddy with kitchen towel bar holder, soaking cup, Mar. 16, 2017, [https://www.amazon.com/Multi-Purpose-Kitchen-Soaking-Expandable-Stainless/dp/B01K4IERYM/ref=pd\\_sim\\_60\\_3?\\_encoding=UTF8&psc=1&refRID=3JYWD29RMNBN22EFDT9B](https://www.amazon.com/Multi-Purpose-Kitchen-Soaking-Expandable-Stainless/dp/B01K4IERYM/ref=pd_sim_60_3?_encoding=UTF8&psc=1&refRID=3JYWD29RMNBN22EFDT9B) (Year: 2017).\*

(\*\*) Term: **15 Years**

(21) Appl. No.: **29/548,784**

(Continued)

(22) Filed: **Dec. 16, 2015**

(51) **LOC (11) Cl.** ..... **07-05**

(52) **U.S. Cl.**

USPC ..... **D32/55**

(58) **Field of Classification Search**

USPC ..... D6/536-537, 540, 566, 567, 320, 533, D6/524, 525; 211/13.1, 74, 71.01, 86.01, 211/75, 88.01, 90.01, 90.03, 106, 119, 211/126.1, 133.5, 181.1, 134, 87.01; 248/206.2-206.3; D3/306; D32/55-56; D7/637

CPC . E03C 1/186; E03C 1/18; A47G 29/00; A47L 17/00; A47J 47/20; C04B 41/009; C04B 41/52

See application file for complete search history.

*Primary Examiner* — David Muller

*Assistant Examiner* — Nathan Johnston

(74) *Attorney, Agent, or Firm* — Foley & Lardner LLP

(57) **CLAIM**

We claim the ornamental design for a sink accessory, as shown and described.

**DESCRIPTION**

FIG. 1 is a top, front, left perspective view of a sink accessory showing our new design; FIG. 2 is a bottom, front, right perspective view of the embodiment of FIG. 1; FIG. 3 is a front elevation view thereof; FIG. 4 is a rear elevation view thereof; FIG. 5 is a left elevation view thereof; FIG. 6 is a right elevation view thereof; FIG. 7 is a top plan view thereof; FIG. 8 is a bottom plan view thereof; FIG. 9 is a top, front, left perspective view of FIG. 1 in an extended position; and, FIG. 10 is a bottom, front, right perspective view thereof. The broken lines show portions of the design that form no part of the claimed design.

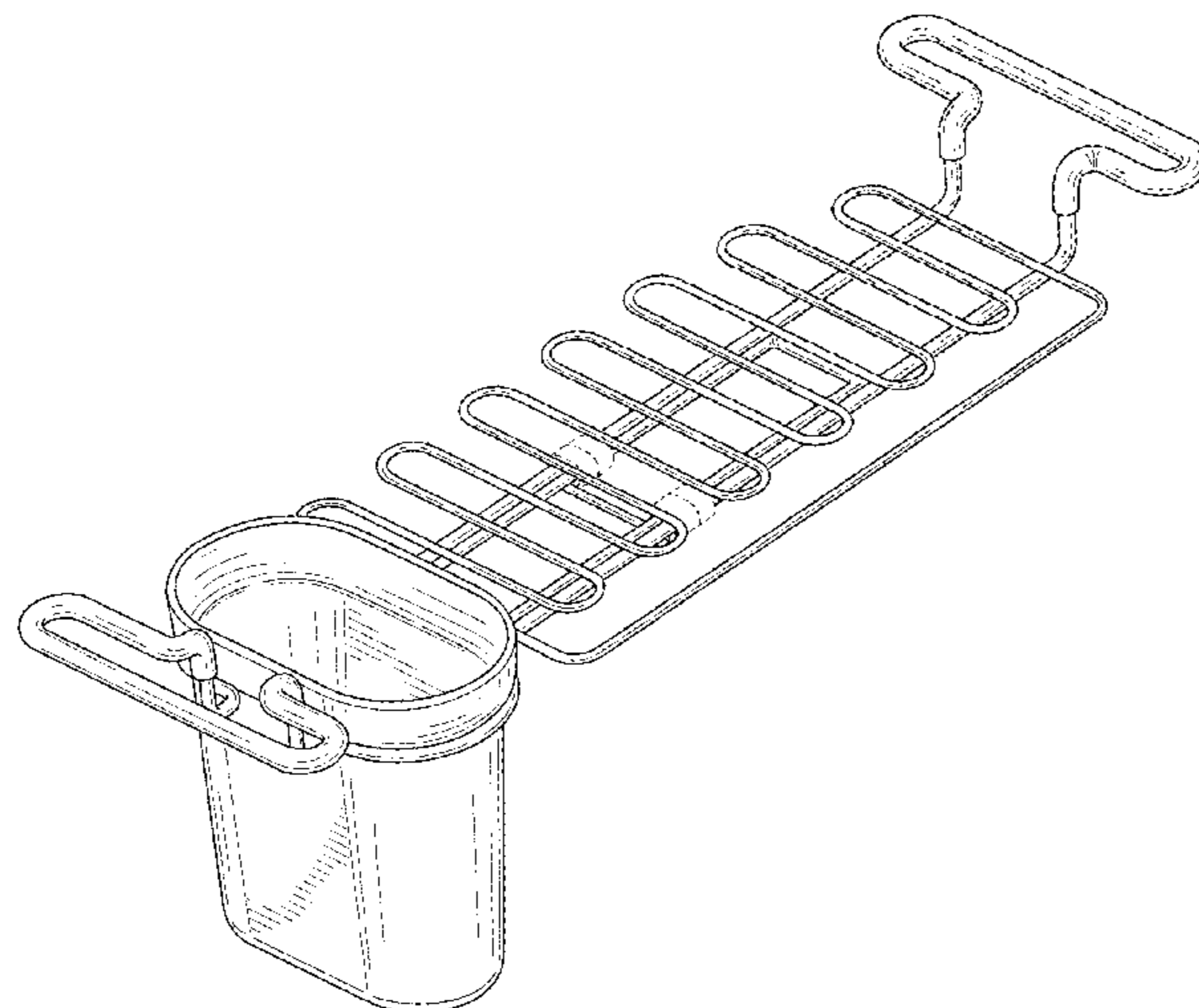
(56) **References Cited**

U.S. PATENT DOCUMENTS

477,137 A 6/1892 Mesick  
611,561 A \* 9/1898 Cook ..... D06F 1/12  
211/90.03  
1,968,399 A \* 7/1934 James ..... A47G 25/746  
211/100  
D97,654 S 11/1935 Watral  
D175,245 S 8/1955 Bertone  
2,925,919 A 2/1960 Wilson  
D194,056 S 11/1962 Chapman  
3,154,196 A \* 10/1964 Loska, Jr. .... A47B 81/04  
108/29

(Continued)

**1 Claim, 9 Drawing Sheets**



(56)

References Cited

U.S. PATENT DOCUMENTS

3,709,452 A \* 1/1973 Feeny ..... A47F 5/0823  
248/220.42  
D247,416 S 3/1978 Berman et al.  
4,143,845 A \* 3/1979 Harris ..... A47F 5/0815  
248/220.43  
D268,878 S 5/1983 Taylor  
D306,926 S 3/1990 Heller et al.  
D308,924 S \* 7/1990 VanNoord ..... D6/513  
D362,943 S 10/1995 Licari  
5,547,087 A 8/1996 Licari  
5,711,436 A \* 1/1998 Moeller ..... A47G 23/0208  
211/106  
5,865,325 A 2/1999 Comstock  
D416,364 S 11/1999 Newhall  
D439,716 S 3/2001 Wright  
6,341,704 B1 1/2002 Michel  
D473,359 S 4/2003 Joseph  
D518,615 S 4/2006 Yang et al.  
D518,936 S 4/2006 Yang et al.  
D520,699 S 5/2006 Yang et al.  
D554,318 S 10/2007 Yang et al.  
D583,119 S 12/2008 Sofy et al.  
D595,914 S 7/2009 Housley

D608,112 S 1/2010 Eilmus  
D630,396 S 1/2011 Yang et al.  
D634,184 S \* 3/2011 Koehn ..... D8/370  
8,127,942 B2 3/2012 Meshkinfam  
8,167,147 B2 5/2012 Frankel et al.  
D687,610 S 8/2013 Jönsson et al.  
D693,081 S 11/2013 Yang et al.  
D695,982 S 12/2013 Jönsson  
D695,983 S 12/2013 Jönsson et al.  
D706,009 S 5/2014 Cooper  
9,022,329 B2 \* 5/2015 Gallup ..... H02G 3/0443  
248/153  
D747,057 S \* 1/2016 Eilmus ..... D32/55  
D747,058 S 1/2016 Eilmus et al.  
D760,983 S \* 7/2016 Eilmus ..... D32/55  
D760,984 S \* 7/2016 Eilmus ..... D32/55  
D761,512 S \* 7/2016 Eilmus ..... D32/55  
2010/0275368 A1 11/2010 Miller et al.  
2011/0303626 A1 12/2011 Roenne  
2012/0266377 A1 10/2012 Eilmus

OTHER PUBLICATIONS

U.S. Appl. No. 29/548,009, Dec. 9, 2015, Eilmus et al.

\* cited by examiner

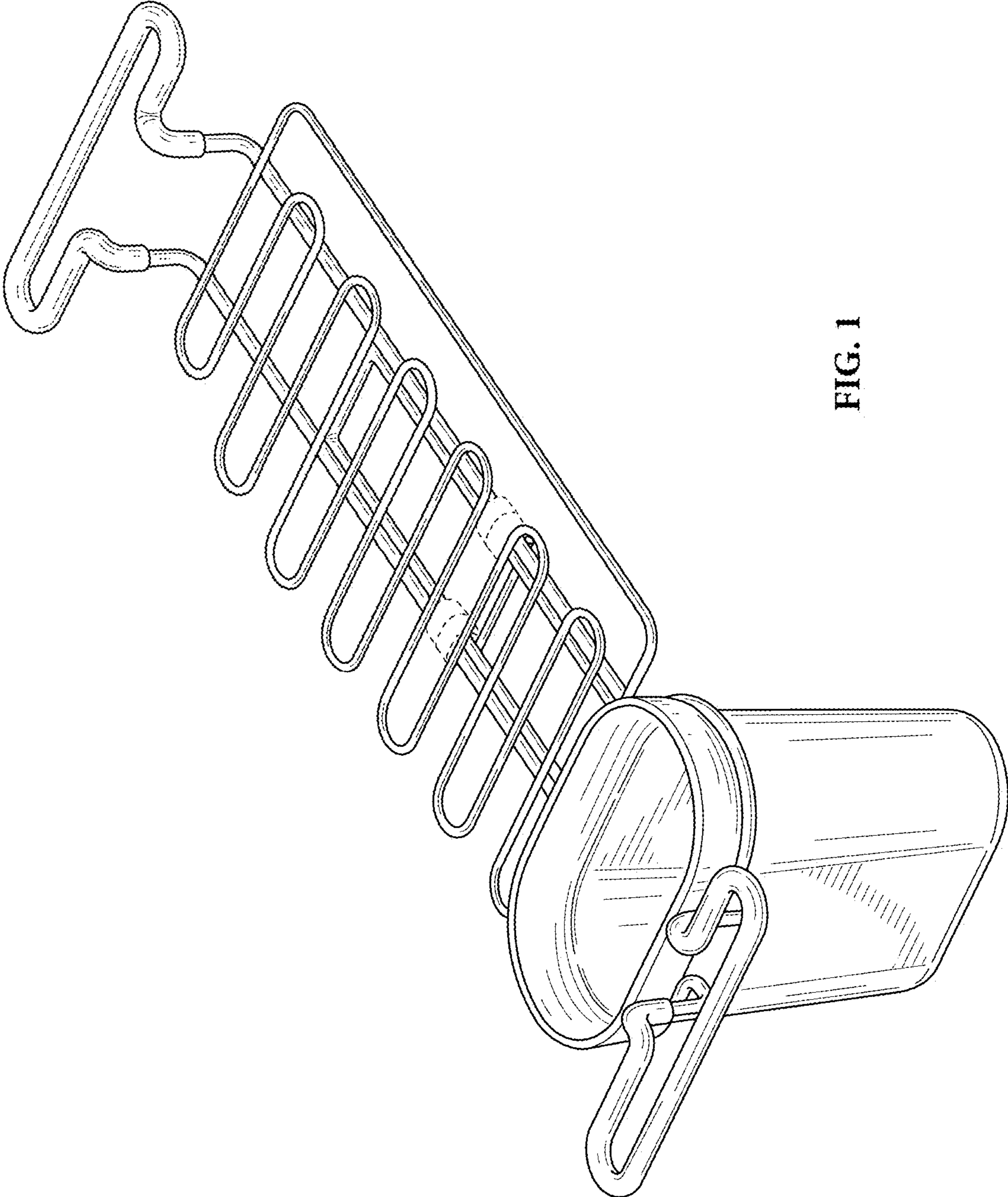


FIG. 1

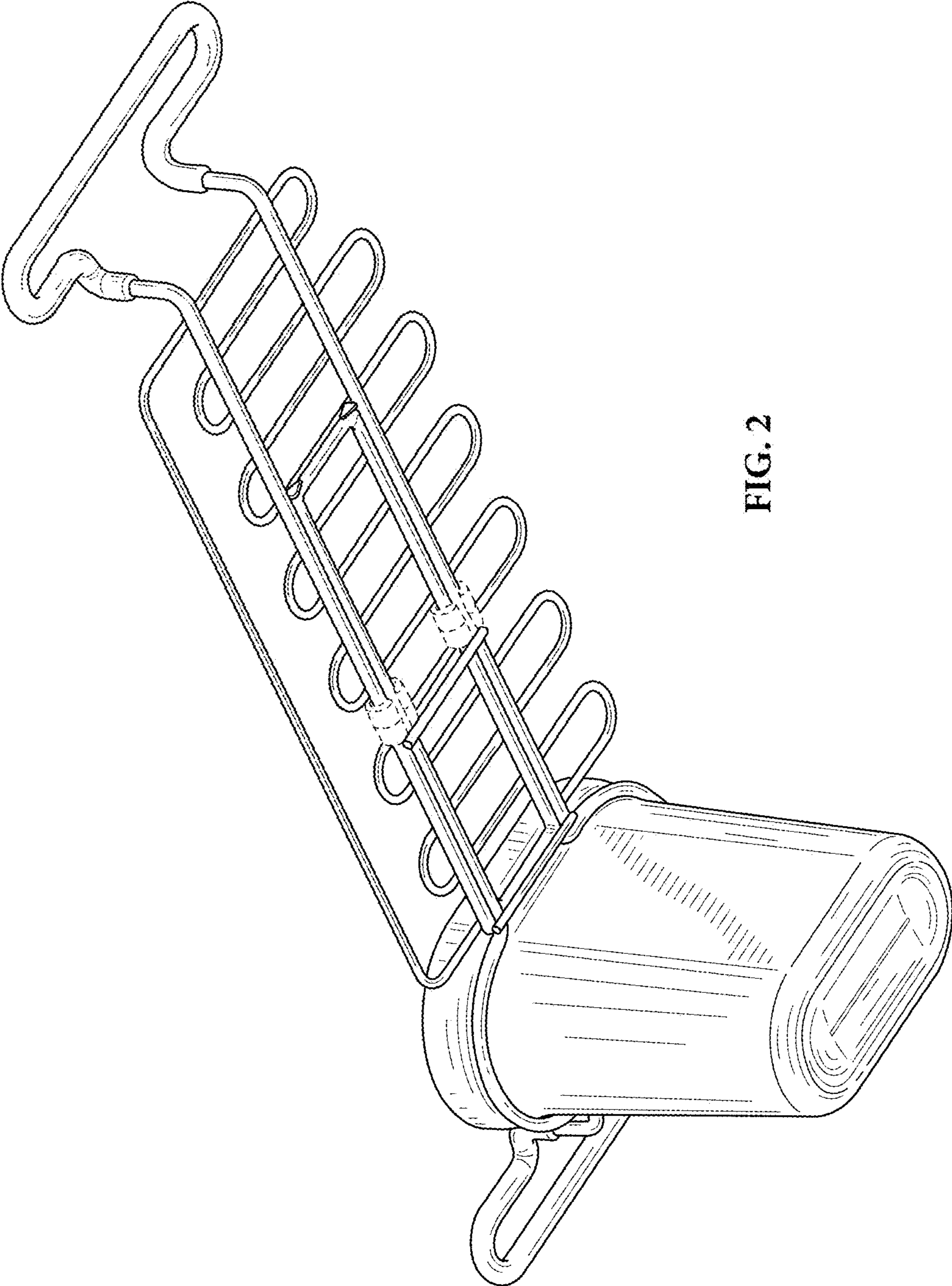


FIG. 2

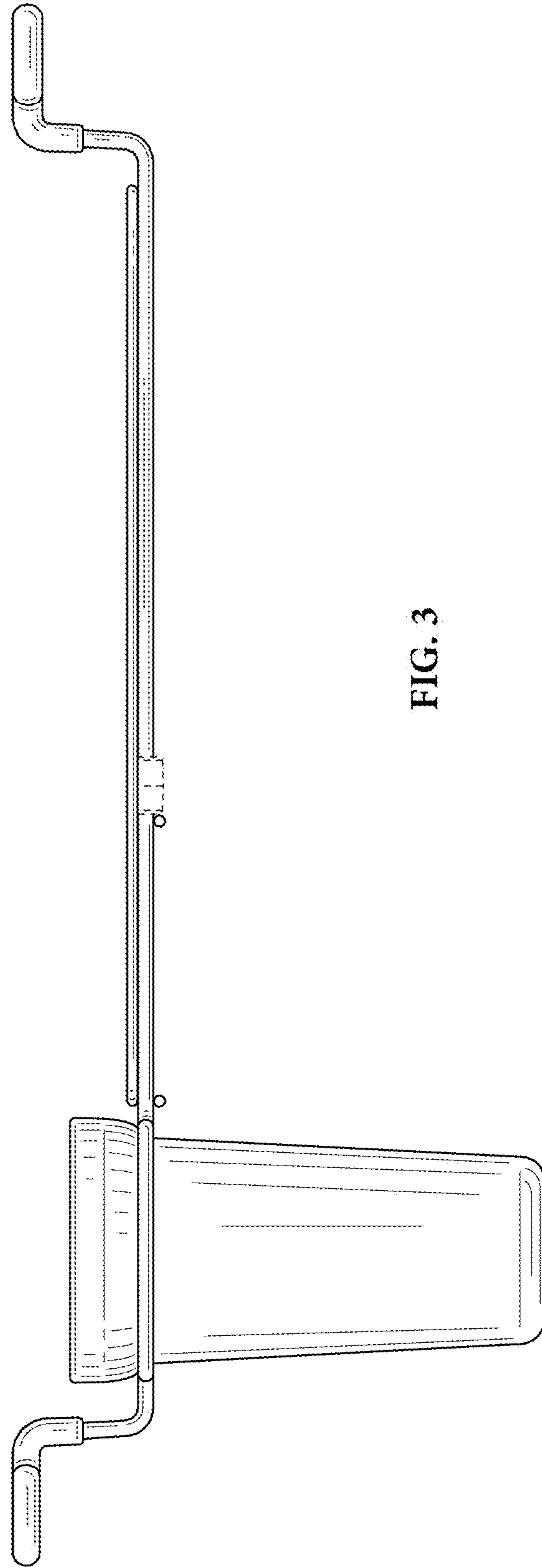


FIG. 3

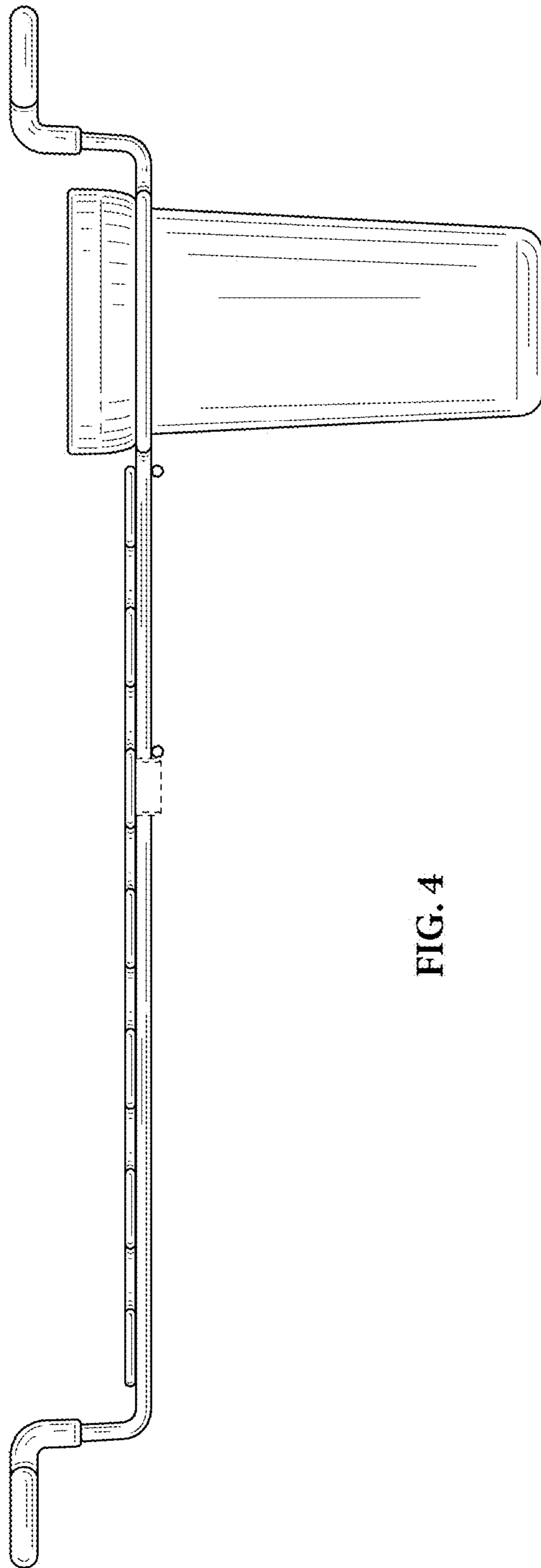


FIG. 4

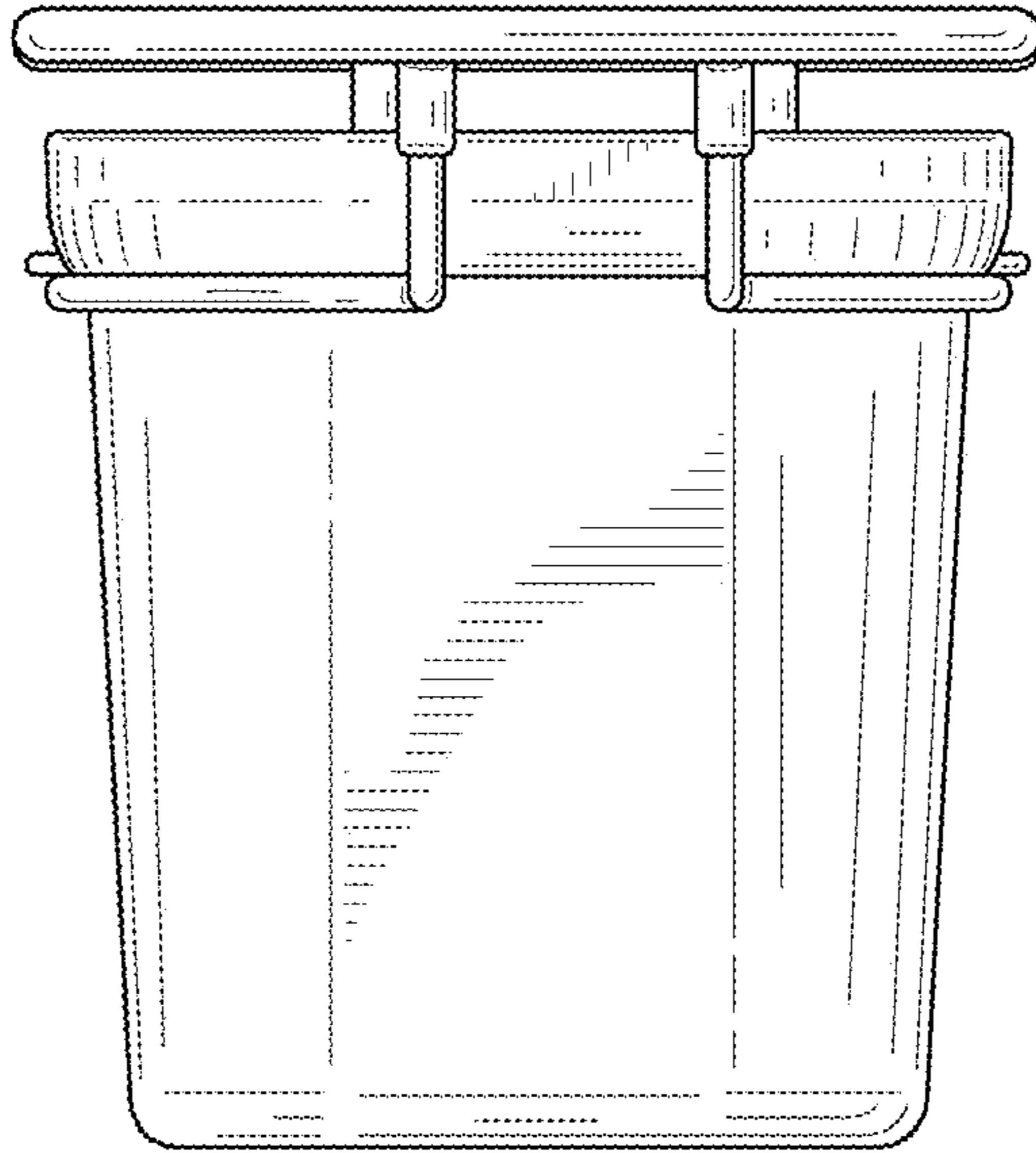


FIG. 5.

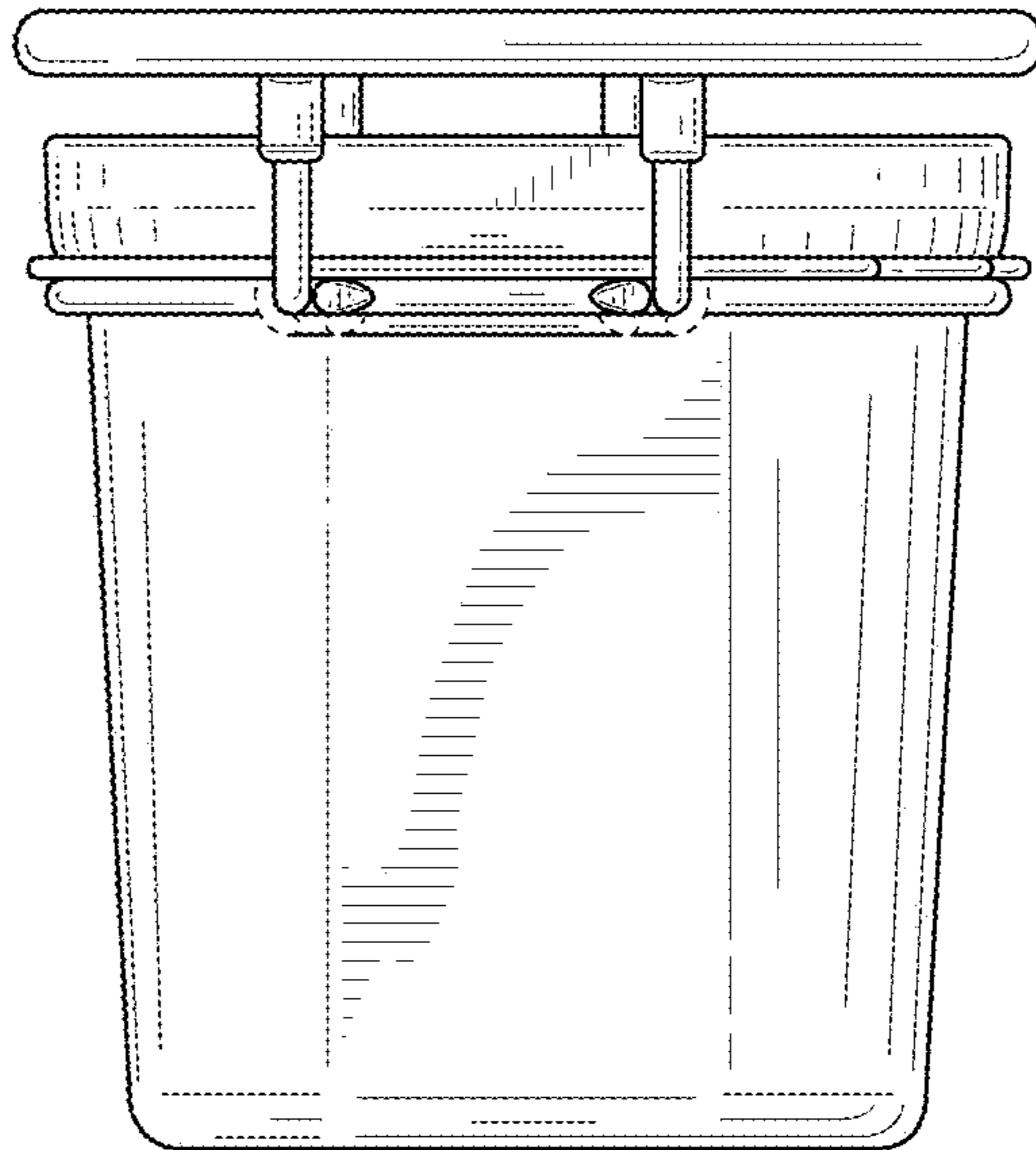


FIG. 6

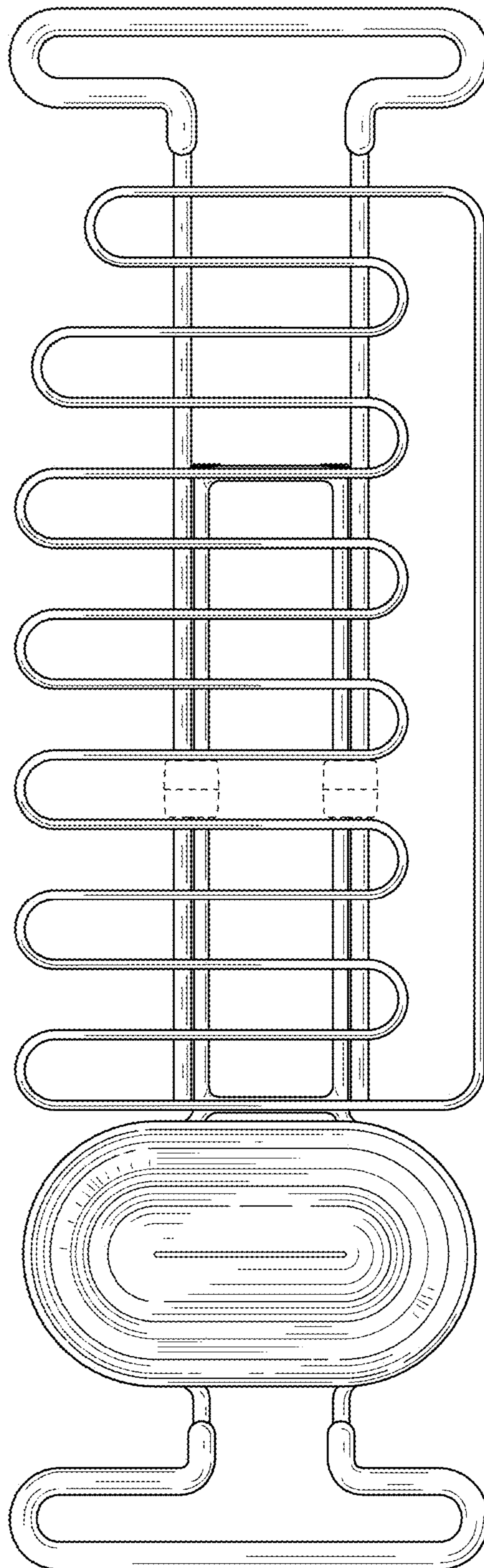


FIG. 7



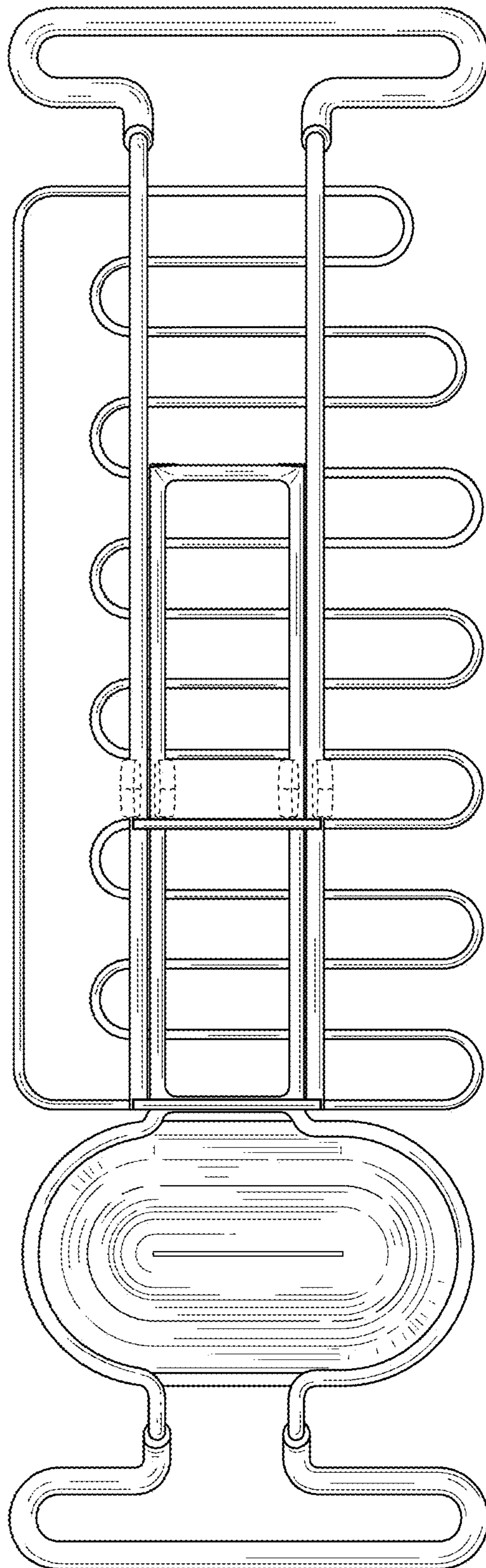


FIG. 8

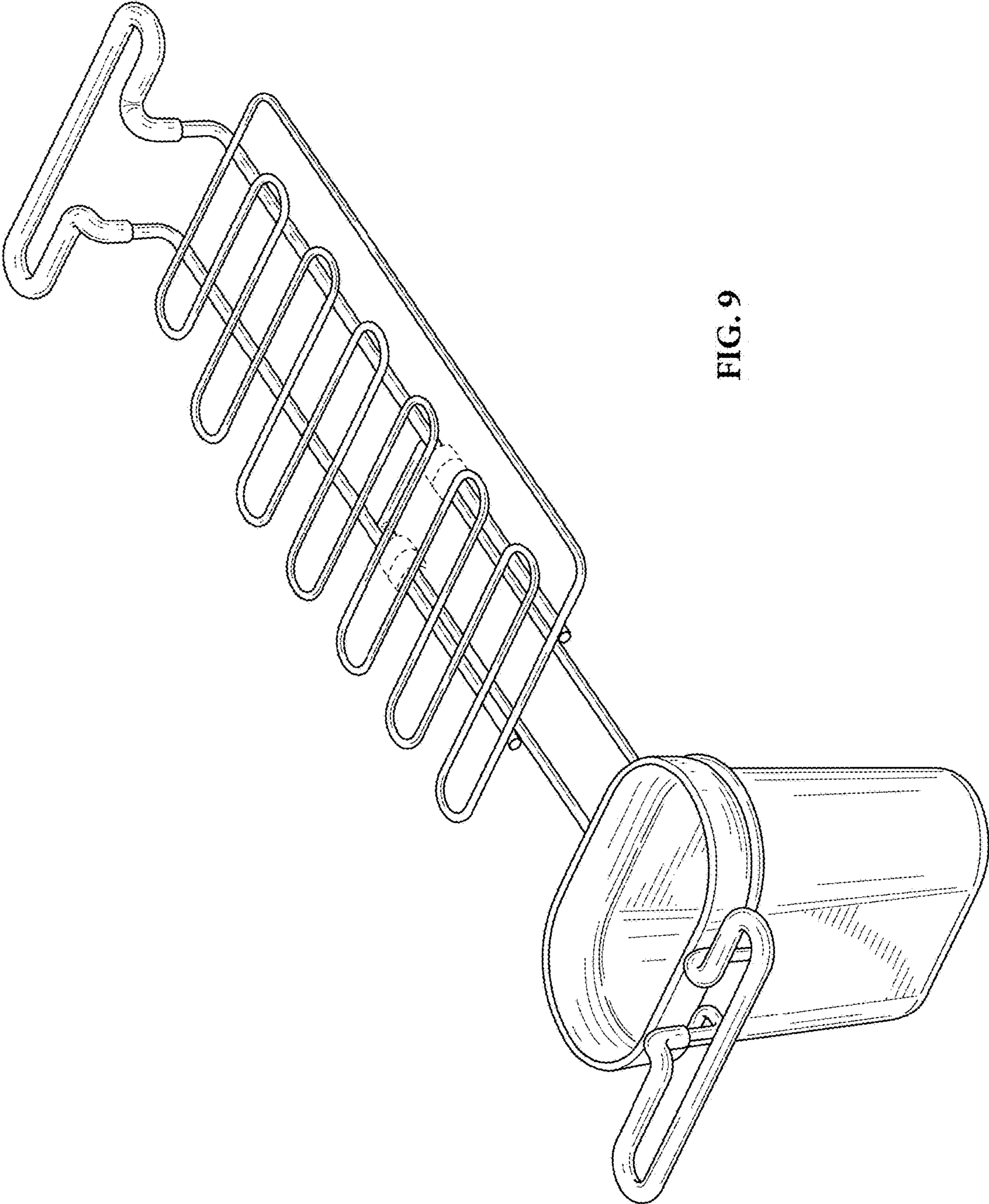


FIG. 9

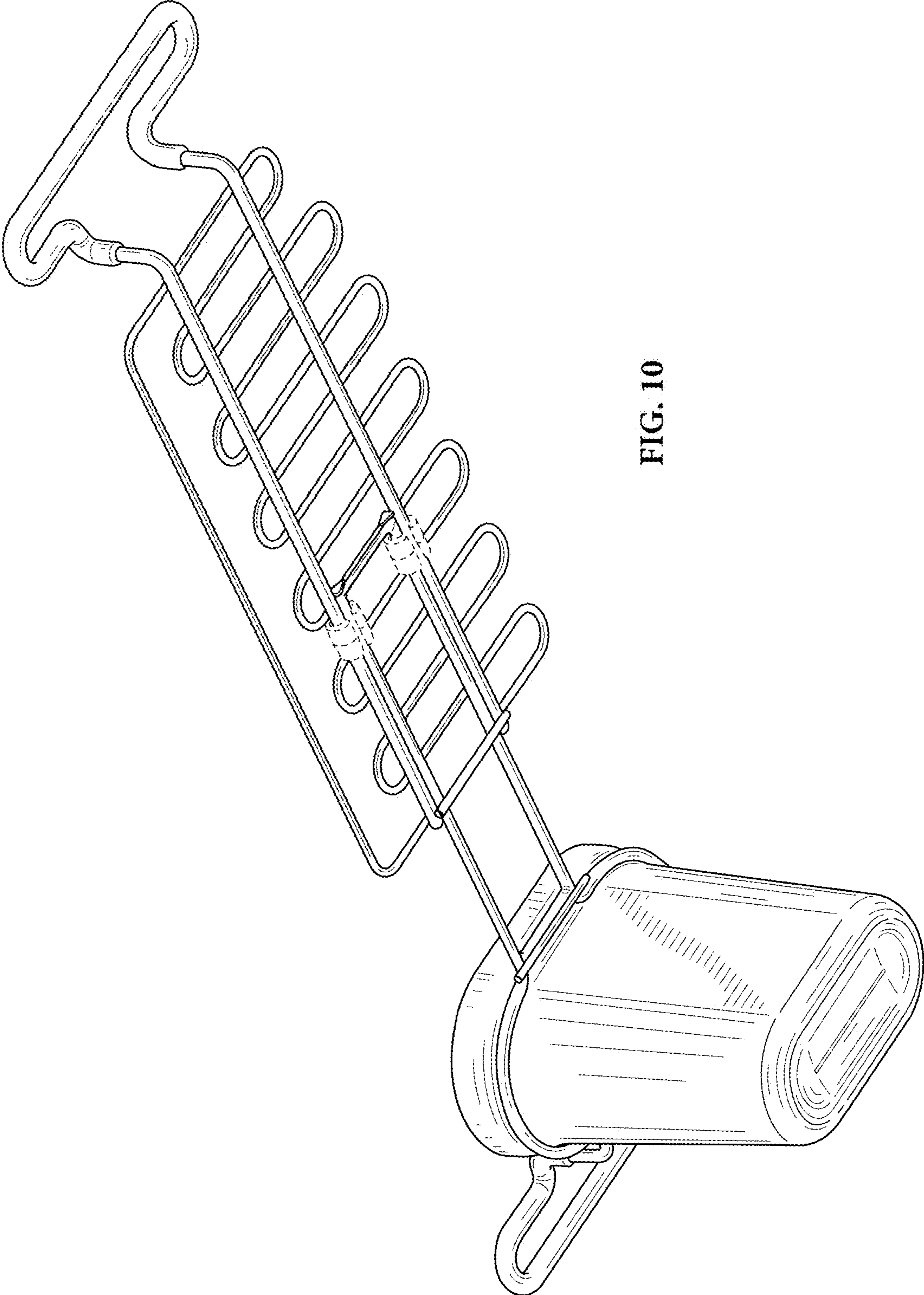


FIG. 10