



US00D816931S

(12) **United States Design Patent** (10) **Patent No.:** **US D816,931 S**  
**Ashton-Miller et al.** (45) **Date of Patent:** **\*\* May 1, 2018**

- (54) **GUTTER CLEANING DEVICE**
- (71) Applicant: **Viper Tool Company LLC**, Ann Arbor, MI (US)
- (72) Inventors: **James A Ashton-Miller**, Ann Arbor, MI (US); **Jeffrey E Terrell**, Ann Arbor, MI (US)
- (73) Assignee: **Viper Tool Company LLC**, Ann Arbor, MI (US)
- (\*\*) Term: **15 Years**
- (21) Appl. No.: **29/562,386**
- (22) Filed: **Apr. 25, 2016**
- (51) **LOC (11) Cl.** ..... **07-05**
- (52) **U.S. Cl.**  
USPC ..... **D32/35; D32/46**
- (58) **Field of Classification Search**  
USPC ..... **D32/40-49, 25, 30, 32-33**  
See application file for complete search history.

- D362,930 S \* 10/1995 Markles ..... D32/35
- D366,130 S \* 1/1996 Ordonez ..... D32/46
- D368,996 S \* 4/1996 Boyer ..... D32/32
- D384,453 S \* 9/1997 Bartz ..... D32/31
- D387,208 S \* 12/1997 Collett ..... D32/40
- D391,704 S \* 3/1998 Facer ..... D32/32

(Continued)

**OTHER PUBLICATIONS**

Gardena 3650 Gutter Cleaner Head, website 2017, <http://bestguttercleaningtool.com/gardena-3650-gutter-cleaner-head/>, site visited Dec. 20, 2017.\*

(Continued)

*Primary Examiner* — John Windmuller  
*Assistant Examiner* — John R Yeh  
(74) *Attorney, Agent, or Firm* — Kelly M McGlashen

(57) **CLAIM**

The ornamental design for a gutter cleaning device, as shown and described.

**DESCRIPTION**

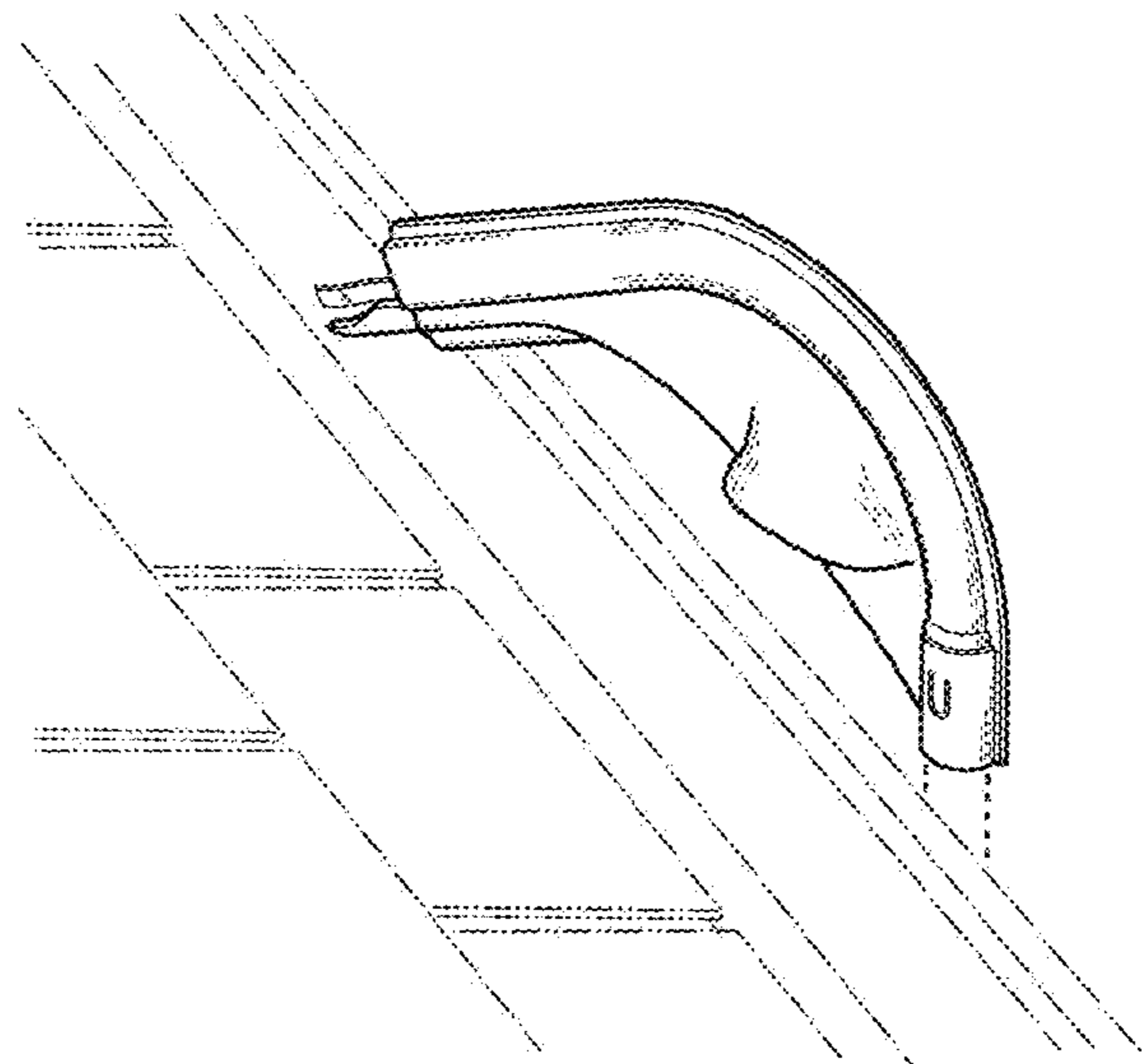
FIG. 1 is a perspective view of a gutter cleaning device. FIG. 2 is a left side view of the gutter cleaning device of FIG. 1; the right side view being the same. FIG. 3 is a front side view of the gutter cleaning device of FIG. 1. FIG. 4 is a rear side view of the gutter cleaning device of FIG. 1. FIG. 5 is a top side view of the gutter cleaning device of FIG. 1; and, FIG. 6 is a bottom side view of the gutter cleaning device of FIG. 1. The broken lines in the figures represent environment and features of the gutter cleaning device that form no part of the claimed design.

**1 Claim, 6 Drawing Sheets**

(56) **References Cited**

U.S. PATENT DOCUMENTS

2,623,234	A	12/1952	Brown	
3,023,971	A	12/1959	Milhous	
3,041,655	A	7/1962	Entier	
D246,523	S *	11/1977	Bartlett	..... D32/32
D247,303	S *	2/1978	Boyd	..... D32/14
4,121,320	A	10/1978	Feiner	
4,319,851	A	3/1982	Arthur	
4,363,335	A	12/1982	Tapper	
4,447,927	A *	5/1984	Malless, Jr.	..... E04D 13/0765 15/145
4,468,835	A	9/1984	Rhodes	
D283,068	S *	3/1986	Beal	..... D28/63
4,848,818	A	7/1989	Smith	
5,056,187	A *	10/1991	Higgins	..... A47L 9/02 15/236.04
5,195,209	A	3/1993	Watkins	



(56)

References Cited

U.S. PATENT DOCUMENTS

5,791,006 A \* 8/1998 Anctil ..... A46B 17/02  
 15/143.1  
 5,898,969 A \* 5/1999 Middleton ..... E04D 13/0765  
 15/236.04  
 D433,203 S \* 10/2000 Hill ..... D28/63  
 6,185,782 B1 2/2001 Hall  
 6,257,256 B1 7/2001 Fischer  
 6,471,271 B1 10/2002 Segal  
 6,519,809 B2 \* 2/2003 Gutry ..... A47L 9/02  
 15/327.5  
 6,766,560 B2 7/2004 Murphy  
 D513,101 S \* 12/2005 Allard ..... D32/32  
 7,549,191 B2 \* 6/2009 Seasholtz ..... E04D 13/0765  
 15/321  
 D622,016 S 8/2010 Hofmann-Kay  
 7,886,399 B2 2/2011 Dayton

D670,881 S \* 11/2012 Tonge ..... D32/49  
 D681,895 S \* 5/2013 Heffernan ..... D32/32  
 8,561,623 B2 \* 10/2013 Lowenstein ..... E04D 13/0765  
 134/104.2  
 8,739,362 B1 6/2014 Conder  
 9,725,908 B2 \* 8/2017 Ashton-Miller .... E04D 13/0765  
 D805,267 S \* 12/2017 Maune ..... D32/31  
 2003/0213086 A1 \* 11/2003 Heavner ..... E04D 13/0765  
 15/236.04  
 2005/0241096 A1 \* 11/2005 Reed, Jr. .... E04D 13/0765  
 15/236.04

OTHER PUBLICATIONS

Toro | Gutter Cleaning Accessory Kit, review Nov. 13, 2016,  
<https://www.torodealer.com/en-us/Pages/ProductDetails.aspx?pid=gutter-cleaner-51667>( . . . , site visited Dec. 20, 2017.\*

\* cited by examiner

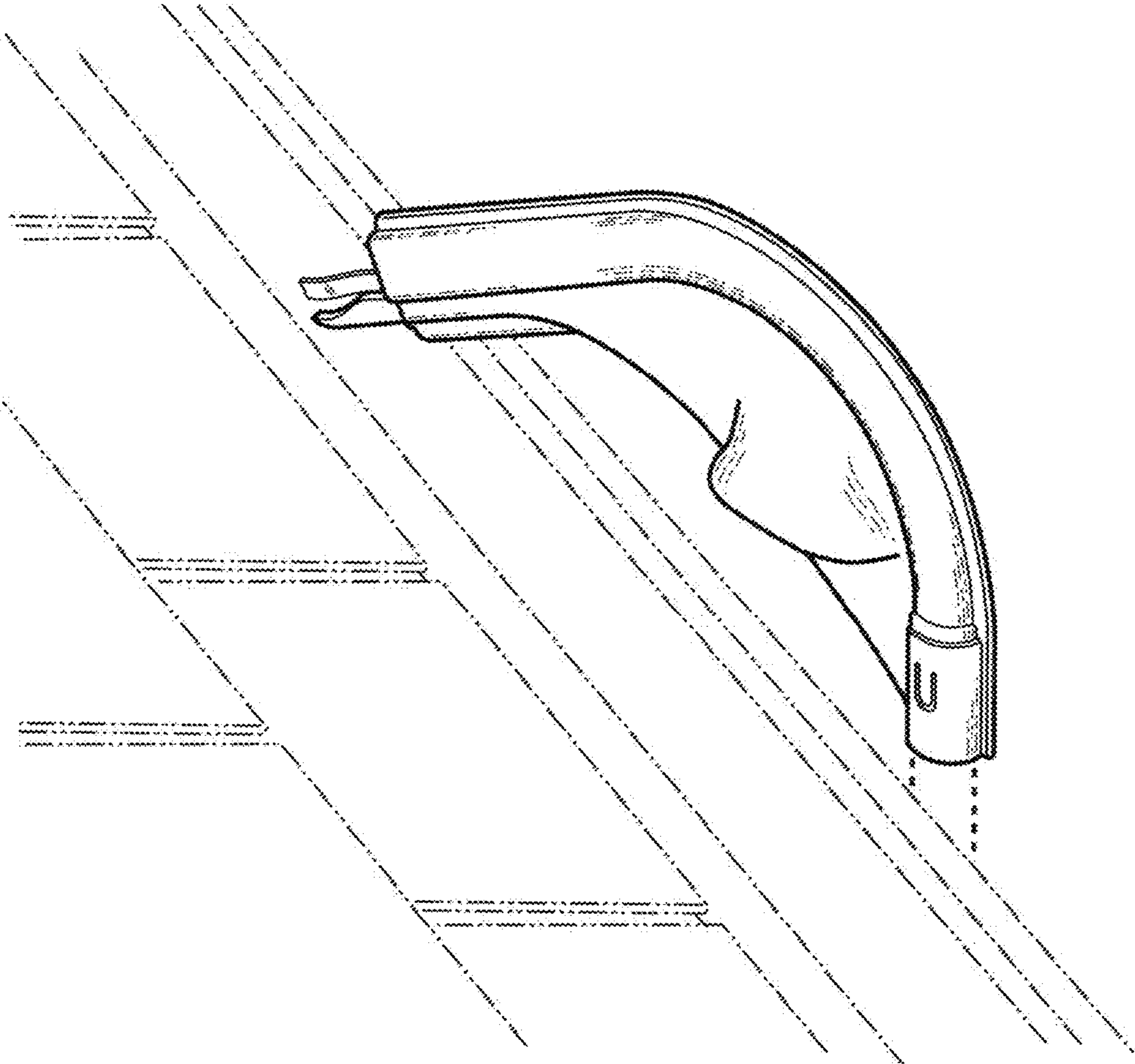
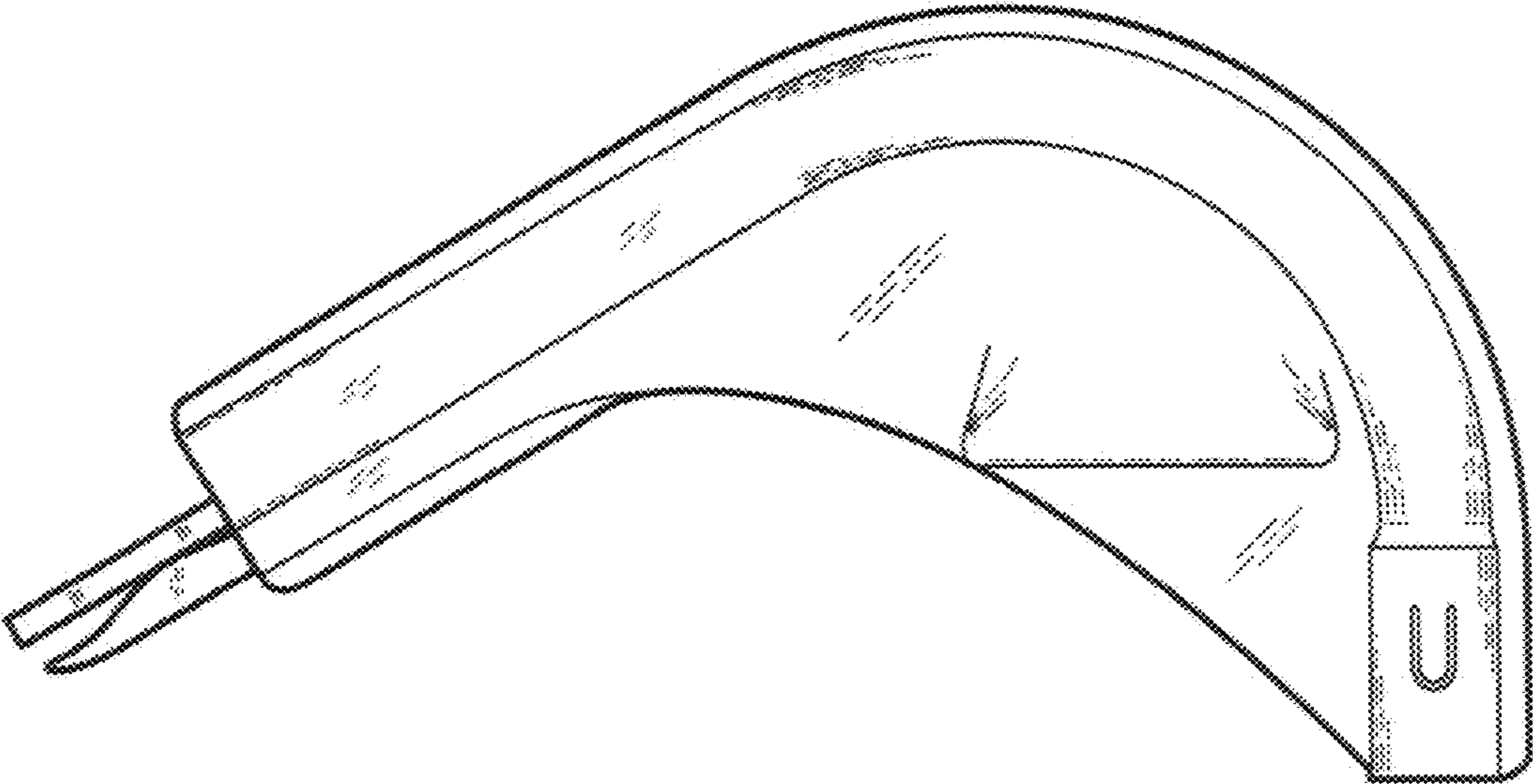
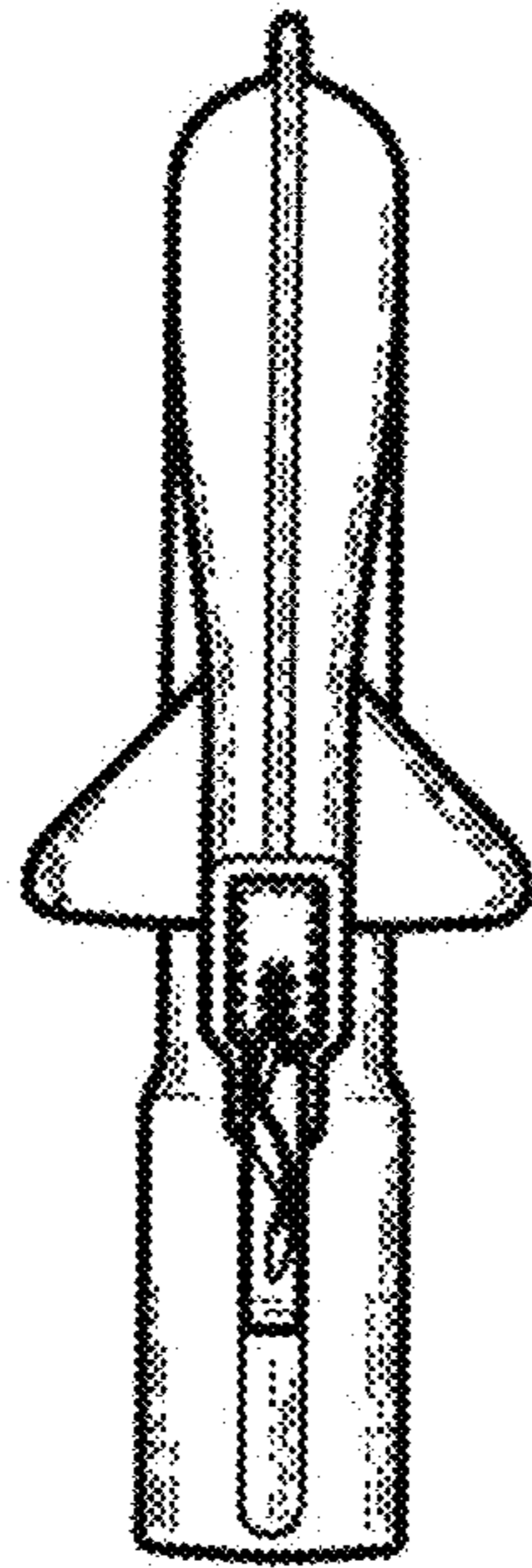


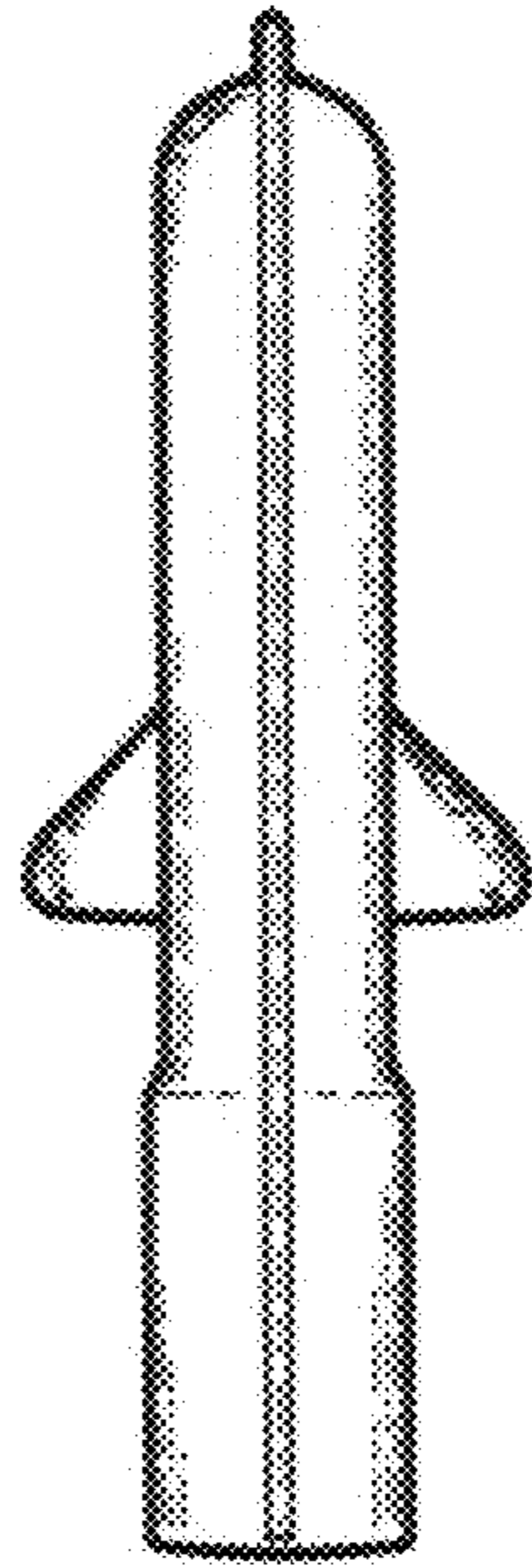
Figure 1



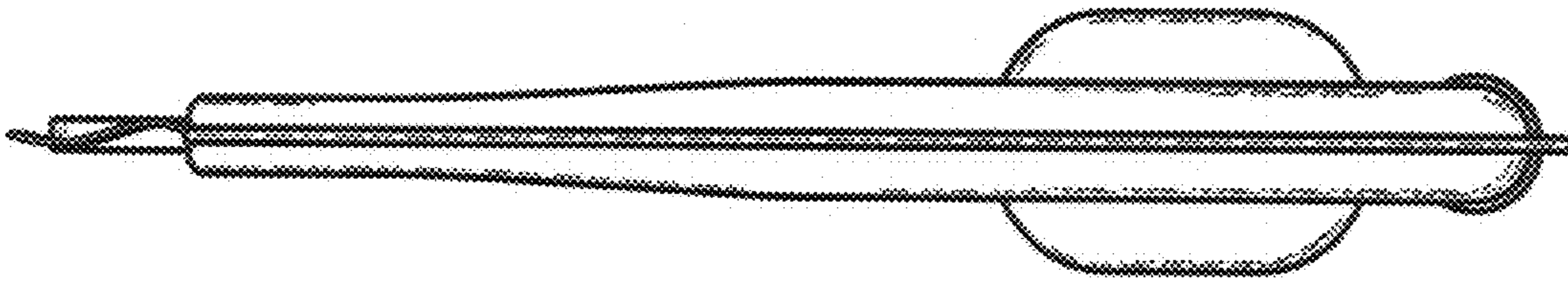
*Figure 2*



*Figure 3*



*Figure 4*



*Figure 5*

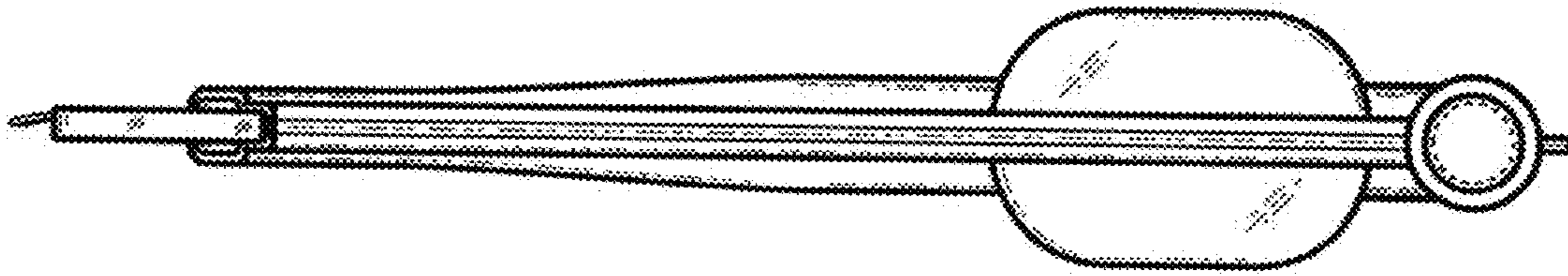


Figure 6